



US00D857395S

(12) **United States Design Patent**
Rahardjo

(10) **Patent No.:** **US D857,395 S**

(45) **Date of Patent:** **** Aug. 27, 2019**

(54) **HANDBAG HARDWARE**

D659,391 S * 5/2012 Jobert D3/243
D759,965 S * 6/2016 Louboutin D3/246
D804,824 S * 12/2017 Lopez Montoya D3/318

(71) Applicant: **Sri Rahardjo**, Singapore (SG)

* cited by examiner

(72) Inventor: **Sri Rahardjo**, Singapore (SG)

Primary Examiner — Holly H Baynham

(**) Term: **15 Years**

(74) *Attorney, Agent, or Firm* — Ziegler IP Law Group, LLC

(21) Appl. No.: **29/640,093**

(22) Filed: **Mar. 12, 2018**

(57) **CLAIM**

(51) **LOC (12) Cl.** **03-01**

The ornamental design for handbag hardware, as shown and described.

(52) **U.S. Cl.**

USPC **D3/318**

DESCRIPTION

(58) **Field of Classification Search**

USPC D3/232–233, 240–243, 245–246

CPC A45C 1/024; A45C 3/08

See application file for complete search history.

FIG. 1 is a perspective view of a first embodiment of handbag hardware showing the new design;

FIG. 2 is front view thereof;

FIG. 3 is a top view thereof;

FIG. 4 is a side view thereof; and,

FIG. 5 is another side view thereof, shown from the side opposite that shown in FIG. 4.

The broken lines shown in the drawings illustrate environmental structure that forms no part of the claimed design.

(56) **References Cited**

U.S. PATENT DOCUMENTS

2,218,396 A * 10/1940 Hallbauer A45C 15/06
150/106
D132,694 S * 6/1942 Appel 150/118
D377,120 S * 1/1997 Fendi D11/200

1 Claim, 4 Drawing Sheets





FIG. 1



FIG. 2

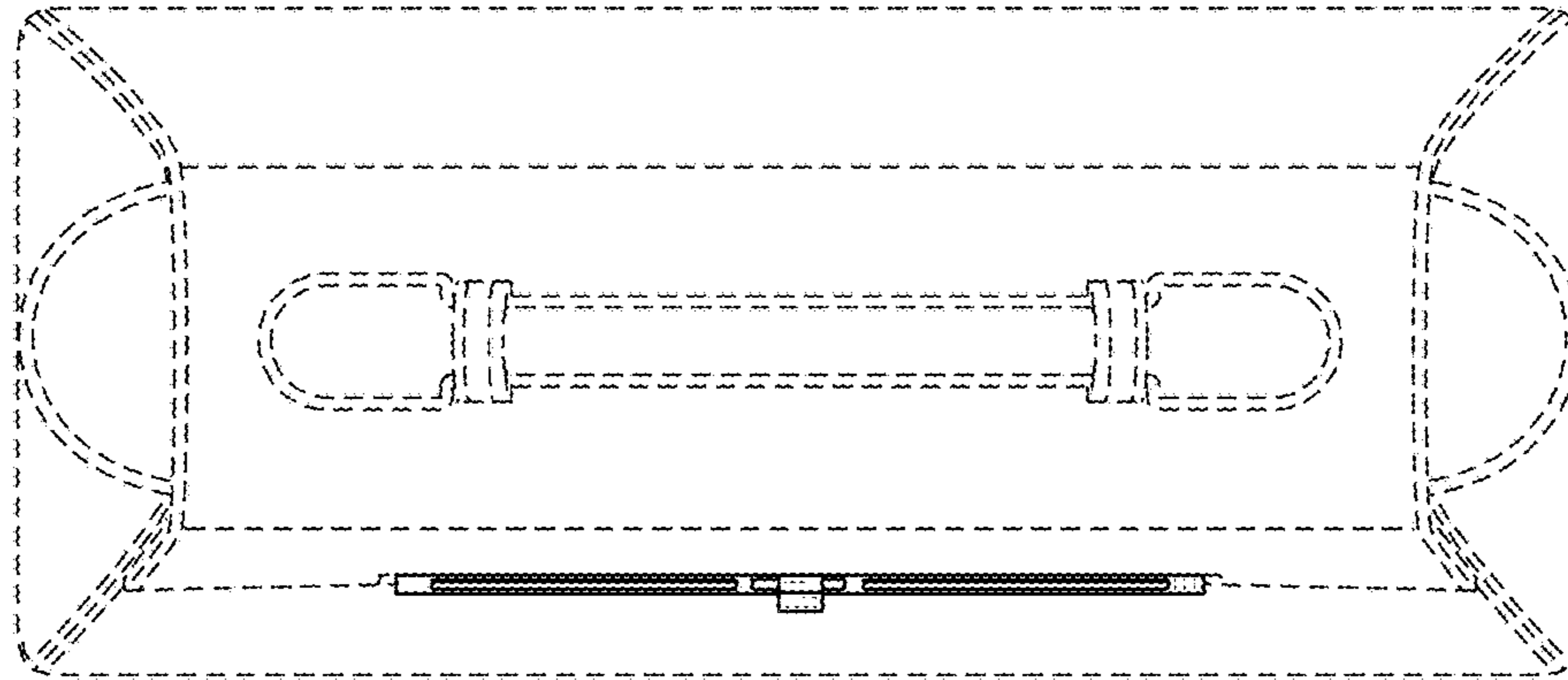
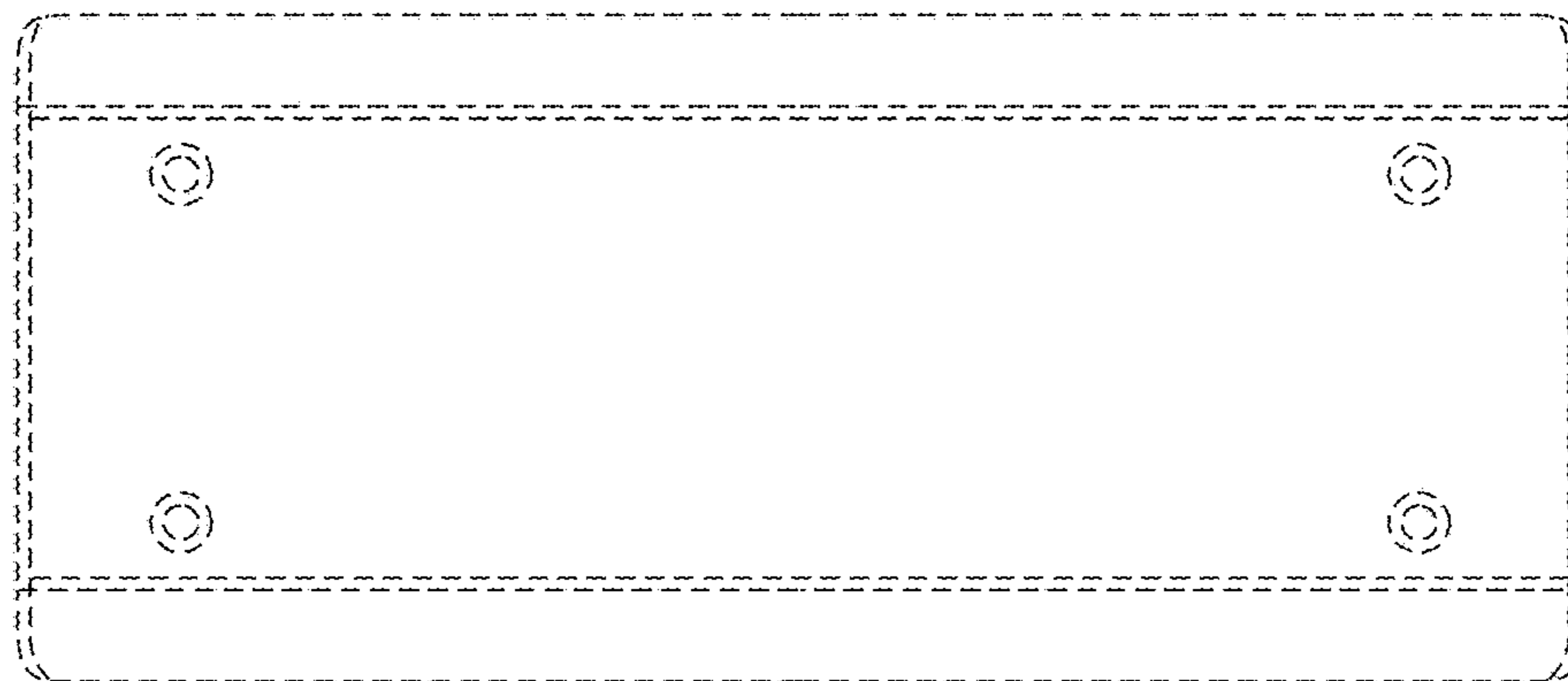


FIG. 3



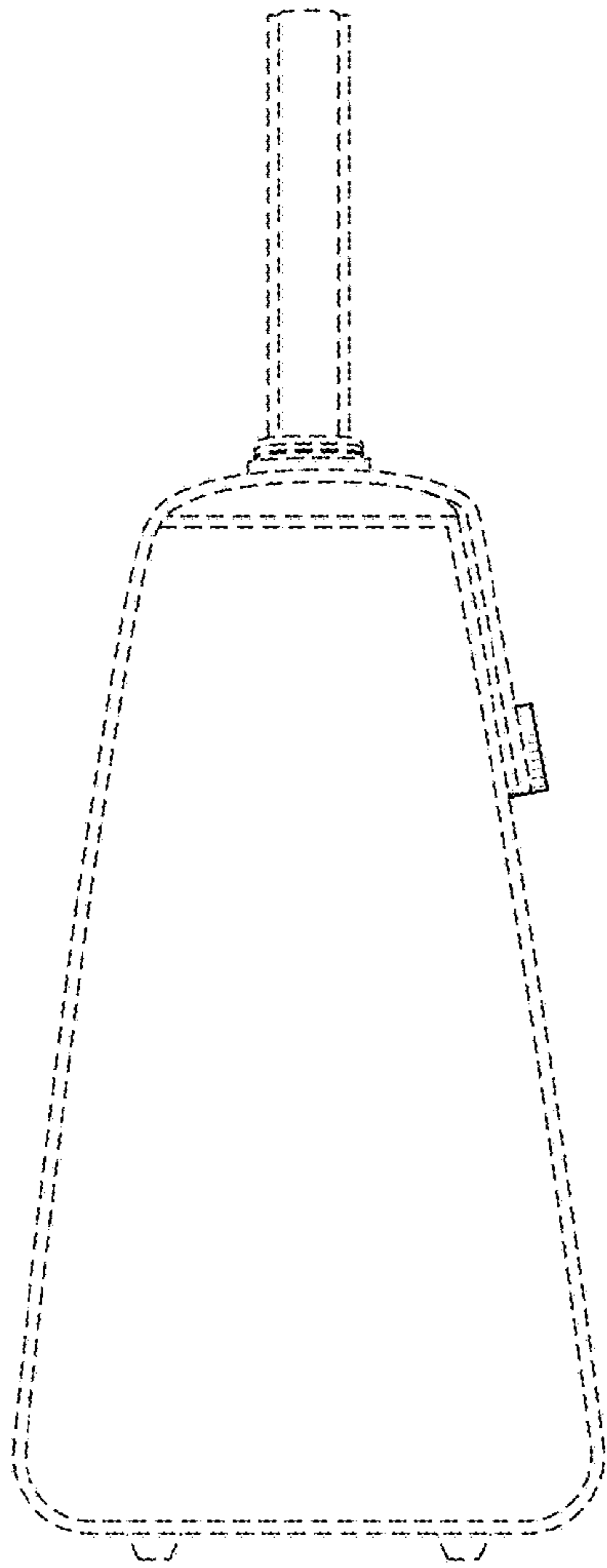


FIG. 4

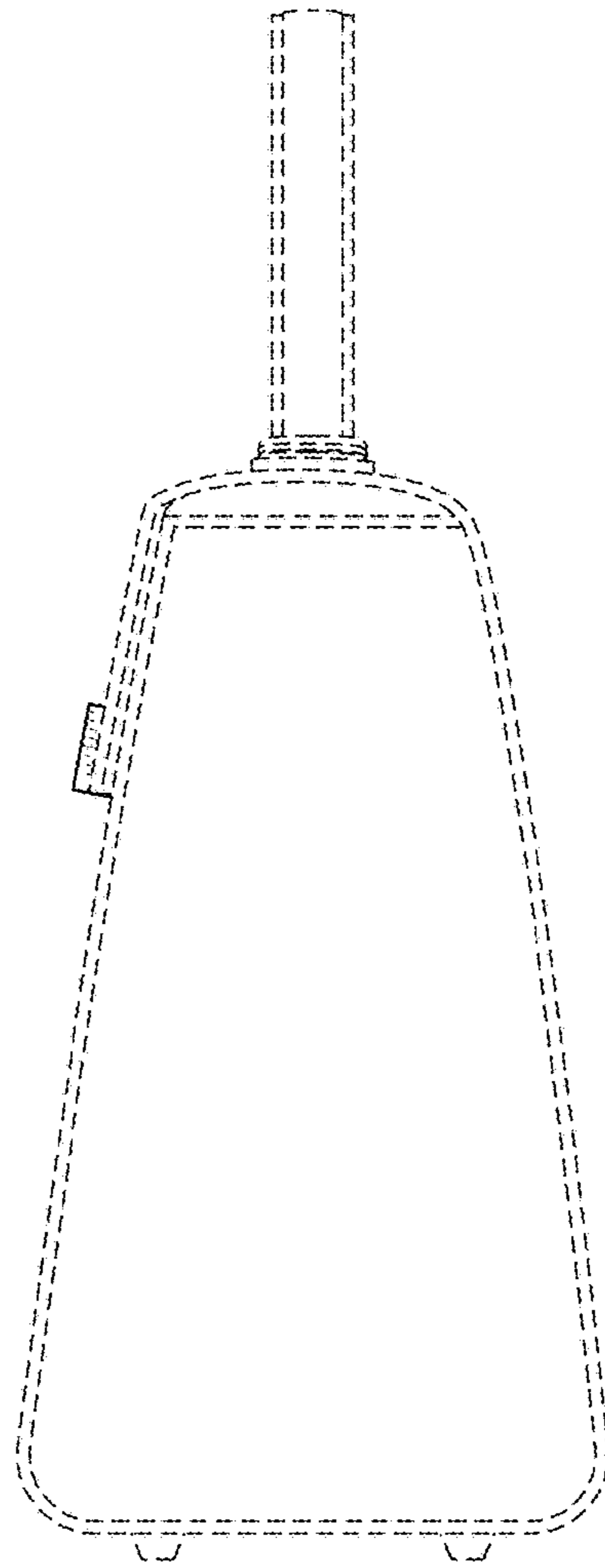


FIG. 5