



US00D857393S

(12) **United States Design Patent**  
**Wax**

(10) **Patent No.:** **US D857,393 S**

(45) **Date of Patent:** **\*\* Aug. 27, 2019**

- (54) **SUITCASE INSERT**
- (71) Applicant: **Saul Barry Wax**, Sandia Park, NM (US)
- (72) Inventor: **Saul Barry Wax**, Sandia Park, NM (US)
- (73) Assignee: **VINGARDEVALISE, INC.**, Sandia Park, NM (US)
- (\*\*) Term: **15 Years**
- (21) Appl. No.: **29/616,322**
- (22) Filed: **Sep. 5, 2017**

- D175,722 S 10/1955 Graham
  - D183,370 S 8/1958 Raymond
  - 3,171,700 A 3/1965 Parsell et al.
  - 3,241,661 A 3/1966 Zanzow et al.
  - 3,401,535 A 9/1968 Palmer
- (Continued)

**FOREIGN PATENT DOCUMENTS**

WO 2015/023327 2/2015

**OTHER PUBLICATIONS**

“Around Wine. Wine Suitcase. AroundWine.co.uk”, <http://www.aroundwine.co.uk/wine-miscellany/wine-transportation/wine-suitcases-bags/wine-suitcase.html>, Sep. 24, 2010, 1-2.

(Continued)

*Primary Examiner* — Holly E Thurman

(74) *Attorney, Agent, or Firm* — Peacock Law P.C.; Janeen Vilven

**Related U.S. Application Data**

- (63) Continuation of application No. 29/550,598, filed on Jan. 5, 2016, now Pat. No. Des. 796,204, which is a continuation of application No. 29/527,034, filed on May 14, 2015, now Pat. No. Des. 746,595.
- (51) **LOC (12) Cl.** ..... **03-01**
- (52) **U.S. Cl.**  
USPC ..... **D3/318; D7/703**
- (58) **Field of Classification Search**  
USPC ..... D3/284, 285, 313, 318, 319; D7/601, D7/602, 619.1, 701, 702, 703; D9/715, D9/719, 737, 738  
CPC . A45C 5/03; A45C 2013/026; A45C 2200/20; A45C 5/14; A45C 3/00; A45C 13/02; B25H 3/023; B25H 3/06  
See application file for complete search history.

(57) **CLAIM**

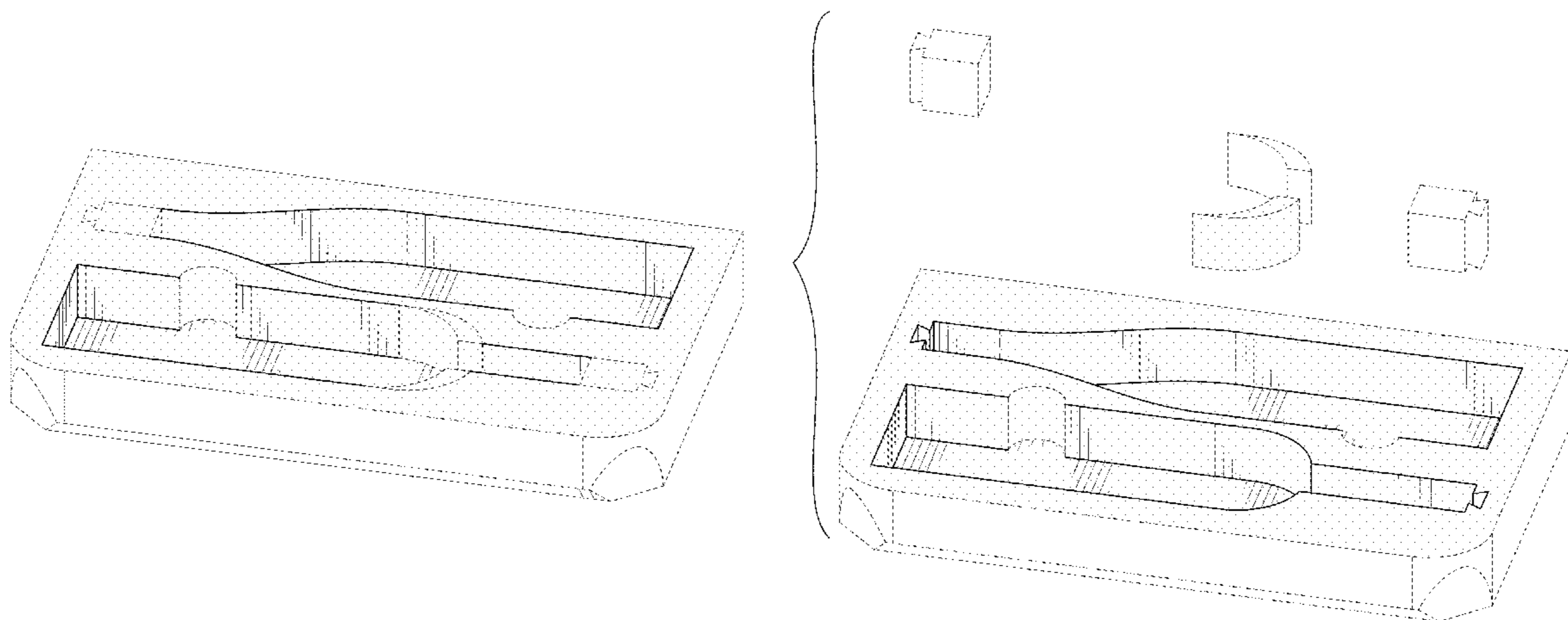
The ornamental design for a suitcase insert, as shown and described.

**DESCRIPTION**

FIG. 1 is a perspective view of the suitcase insert showing my new design;  
FIG. 2 is a front view thereof;  
FIG. 3 is a back view thereof;  
FIG. 4 is a left view thereof;  
FIG. 5 is a right view thereof;  
FIG. 6 is a top view thereof;  
FIG. 7 is a bottom view thereof; and,  
FIG. 8 is a perspective view of the suitcase insert in an exploded view with the bracket indicating the association of elements.  
The broken lines depict unclaimed portions of the suitcase insert and form no part of the claimed design.

**1 Claim, 4 Drawing Sheets**

- (56) **References Cited**  
U.S. PATENT DOCUMENTS
- |             |         |                |
|-------------|---------|----------------|
| 240,596 A   | 4/1881  | Laraway et al. |
| 1,263,343 A | 4/1918  | Beck           |
| 1,513,163 A | 10/1924 | Dobrin         |
| 2,033,020 A | 3/1936  | White et al.   |
| 2,245,999 A | 6/1941  | Plotkin        |
| 2,657,726 A | 11/1953 | Silverman      |



(56)

References Cited

U.S. PATENT DOCUMENTS

D220,021 S 2/1971 Bruening  
 3,741,355 A 6/1973 Slan  
 3,759,375 A 9/1973 Nappi  
 4,106,597 A 8/1978 Shook et al.  
 4,117,933 A 10/1978 Lachance  
 4,241,832 A 12/1980 Bliss  
 4,303,610 A 12/1981 Sardisco et al.  
 D263,176 S 3/1982 Harrington  
 D266,147 S 9/1982 McIntosh et al.  
 4,433,781 A 2/1984 Hummel  
 4,485,919 A 12/1984 Sandel  
 D285,617 S 9/1986 Stillwagon  
 4,628,705 A 12/1986 Nave  
 D289,825 S 5/1987 Humphries  
 D292,057 S 9/1987 Beal  
 4,736,843 A 4/1988 Leonard  
 4,805,776 A 2/1989 Namgyal et al.  
 4,836,374 A 6/1989 Hutchins et al.  
 5,096,030 A 3/1992 Espinosa et al.  
 5,111,919 A 5/1992 Hamatani et al.  
 D331,480 S 12/1992 Aaserud  
 D337,887 S 8/1993 Feinbloom  
 5,320,223 A 6/1994 Allen  
 5,409,560 A 4/1995 Hammer  
 5,474,204 A 12/1995 Sutyla  
 D369,678 S 5/1996 Hammer  
 D375,660 S \* 11/1996 Parris ..... D3/204  
 D385,108 S 10/1997 Tschudy  
 D385,310 S 10/1997 Heitmann  
 6,036,019 A 3/2000 Silverman  
 6,053,317 A 4/2000 Morris et al.  
 D430,398 S \* 9/2000 Kimura ..... D3/273  
 6,213,304 B1 4/2001 Juliussen  
 D448,048 S 9/2001 Brown, III  
 6,345,709 B1 2/2002 Cheng  
 6,499,599 B1 12/2002 Hopkins et al.  
 6,561,328 B1 5/2003 Huang  
 6,779,665 B2 8/2004 Bolanos

6,827,275 B2 12/2004 Allen  
 7,178,343 B2 2/2007 Linder  
 D554,866 S \* 11/2007 Hasty ..... D3/319  
 7,410,053 B2 8/2008 Bowen et al.  
 D595,056 S 6/2009 Pettersson  
 7,565,974 B2 7/2009 Adams, Jr.  
 D634,541 S 3/2011 Gutierrez  
 8,005,189 B2 8/2011 Ripp et al.  
 8,104,615 B2 1/2012 Liu  
 D692,177 S 10/2013 Angiolillo  
 D723,279 S 3/2015 Wax  
 D728,941 S 5/2015 Stoeckmann  
 9,072,653 B2 7/2015 Nemard  
 D746,061 S \* 12/2015 Wax ..... D3/318  
 D746,595 S 1/2016 Wax  
 D747,091 S \* 1/2016 Upchurch ..... A61J 1/035  
 D3/203.2  
 D747,602 S \* 1/2016 Upchurch ..... D3/203.2  
 9,241,873 B2 \* 1/2016 Upchurch ..... A61J 1/035  
 D796,204 S 9/2017 Wax  
 2003/0209396 A1 11/2003 Bernbaun et al.  
 2004/0154889 A1 8/2004 Gifford et al.  
 2005/0121275 A1 6/2005 Platte, III  
 2007/0209894 A1 9/2007 Selvi  
 2009/0050429 A1 2/2009 Adams, Jr. et al.  
 2009/0166141 A1 7/2009 Davis et al.  
 2011/0011760 A1 1/2011 Hebersetzer  
 2011/0266107 A1 11/2011 Hansen et al.  
 2013/0000257 A1 1/2013 Waltrip  
 2014/0144741 A1 5/2014 Lai  
 2015/0047941 A1 2/2015 Wax  
 2015/0150348 A1 6/2015 Wax

OTHER PUBLICATIONS

“DIY Wine Carrier Let’s You Travel With Wine Like the Pros”,  
<http://mymansbelly.com/2013/02/22/diy-wine-carrier-lets-you-travel-with-wine-like-the-pros/>, Feb. 22, 2013, 1-11.

\* cited by examiner

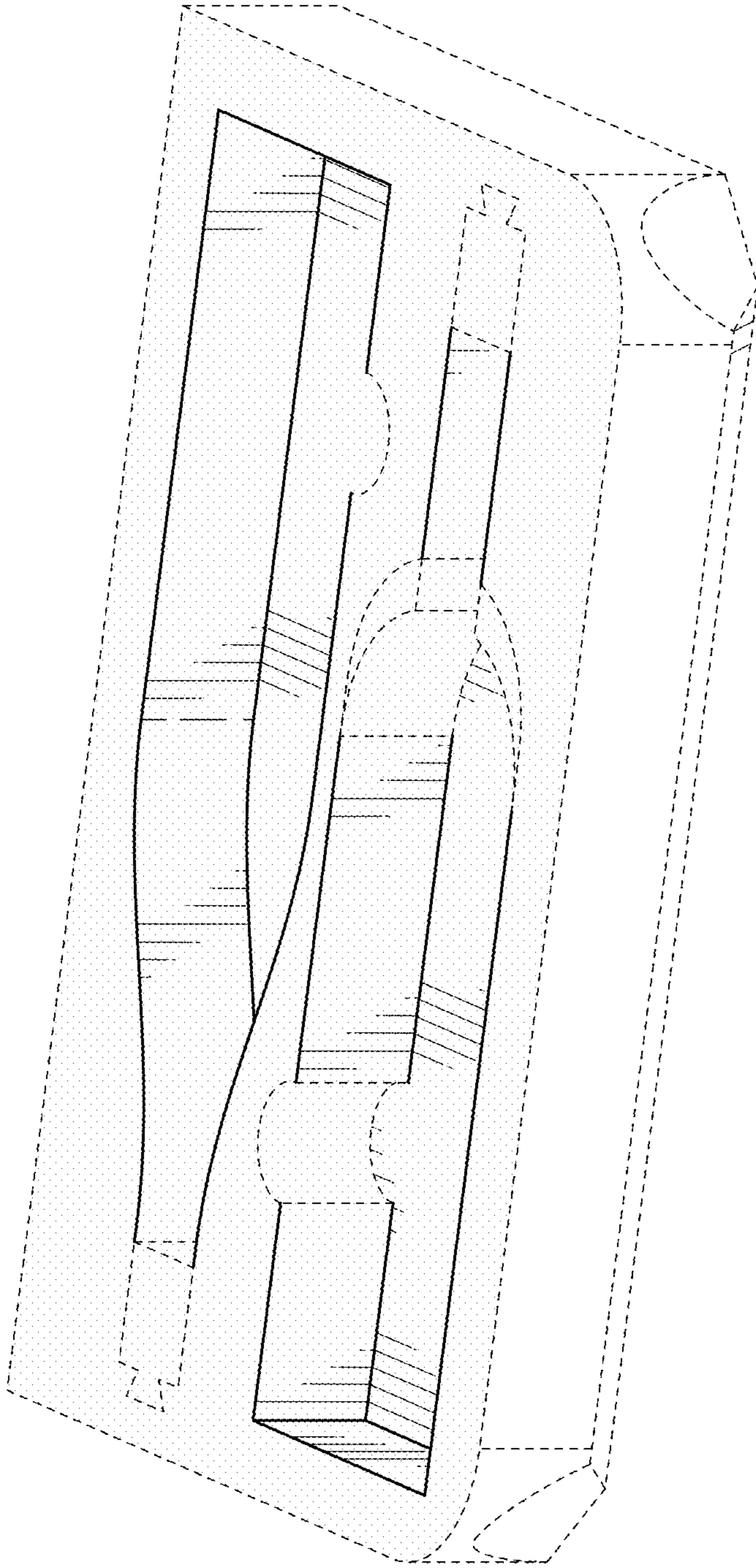


FIG. 1

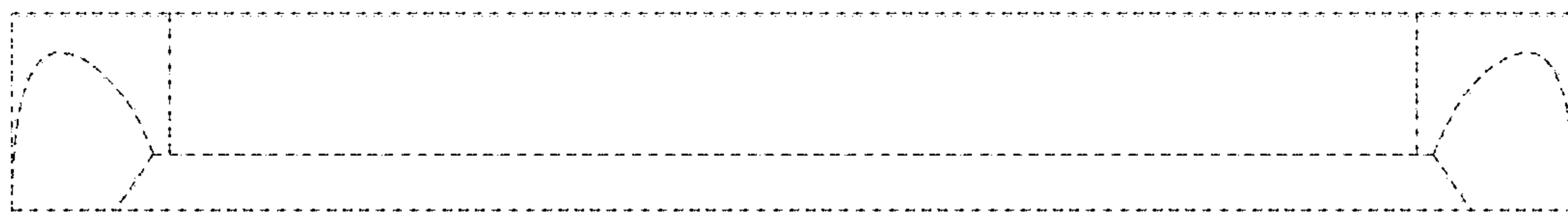


FIG. 2

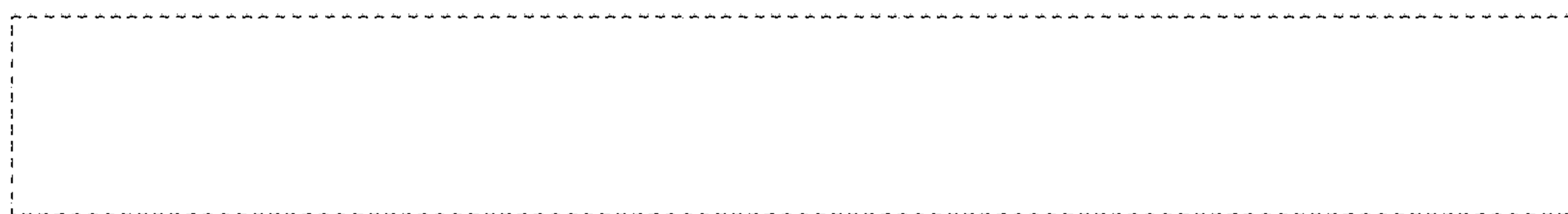


FIG. 3

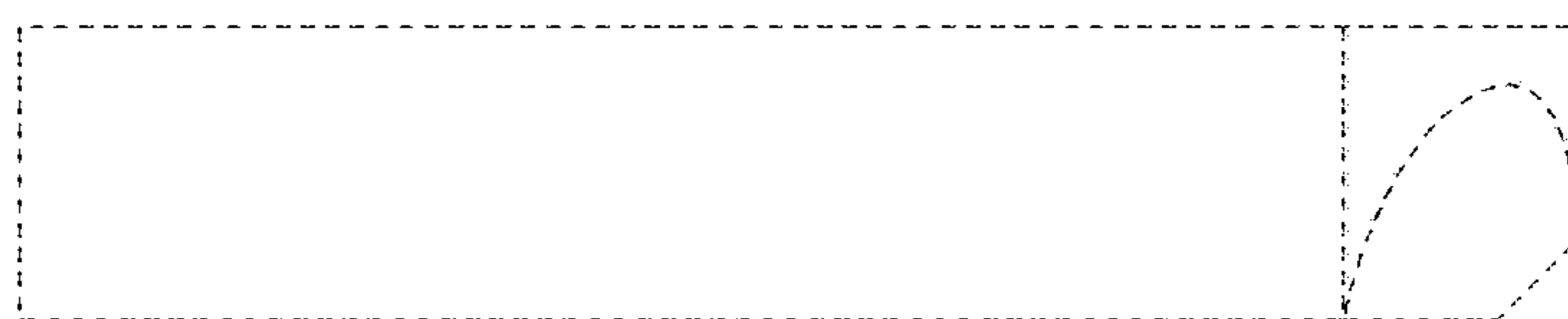


FIG. 4

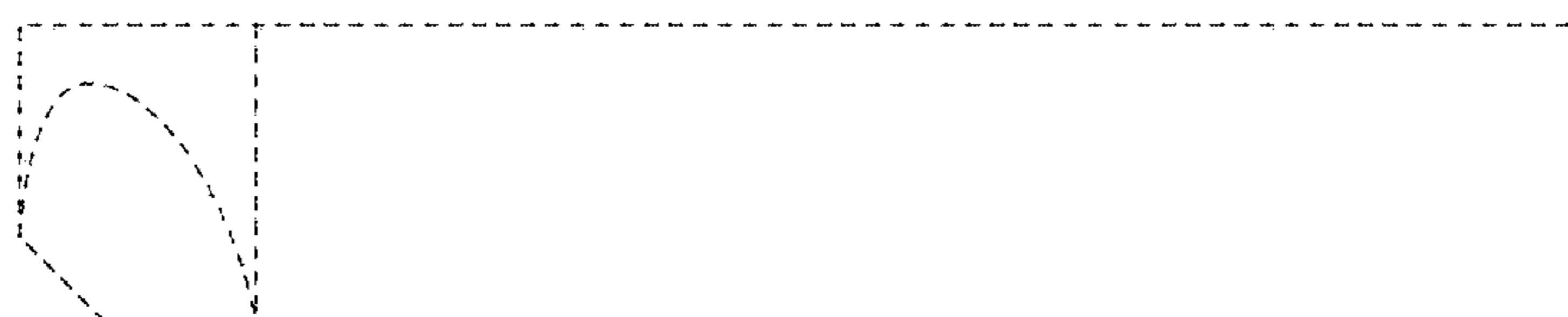


FIG. 5



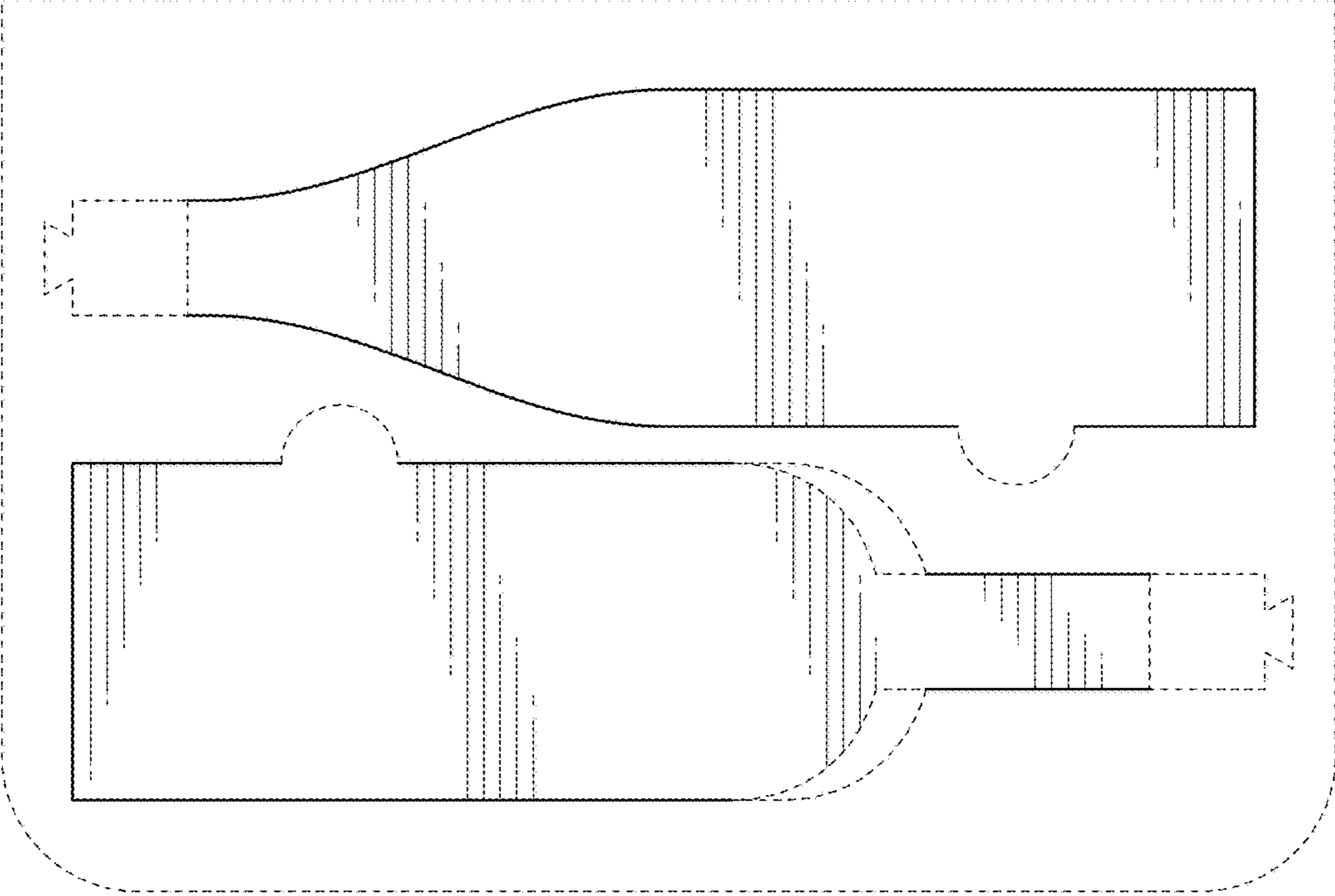


FIG. 6



FIG. 7

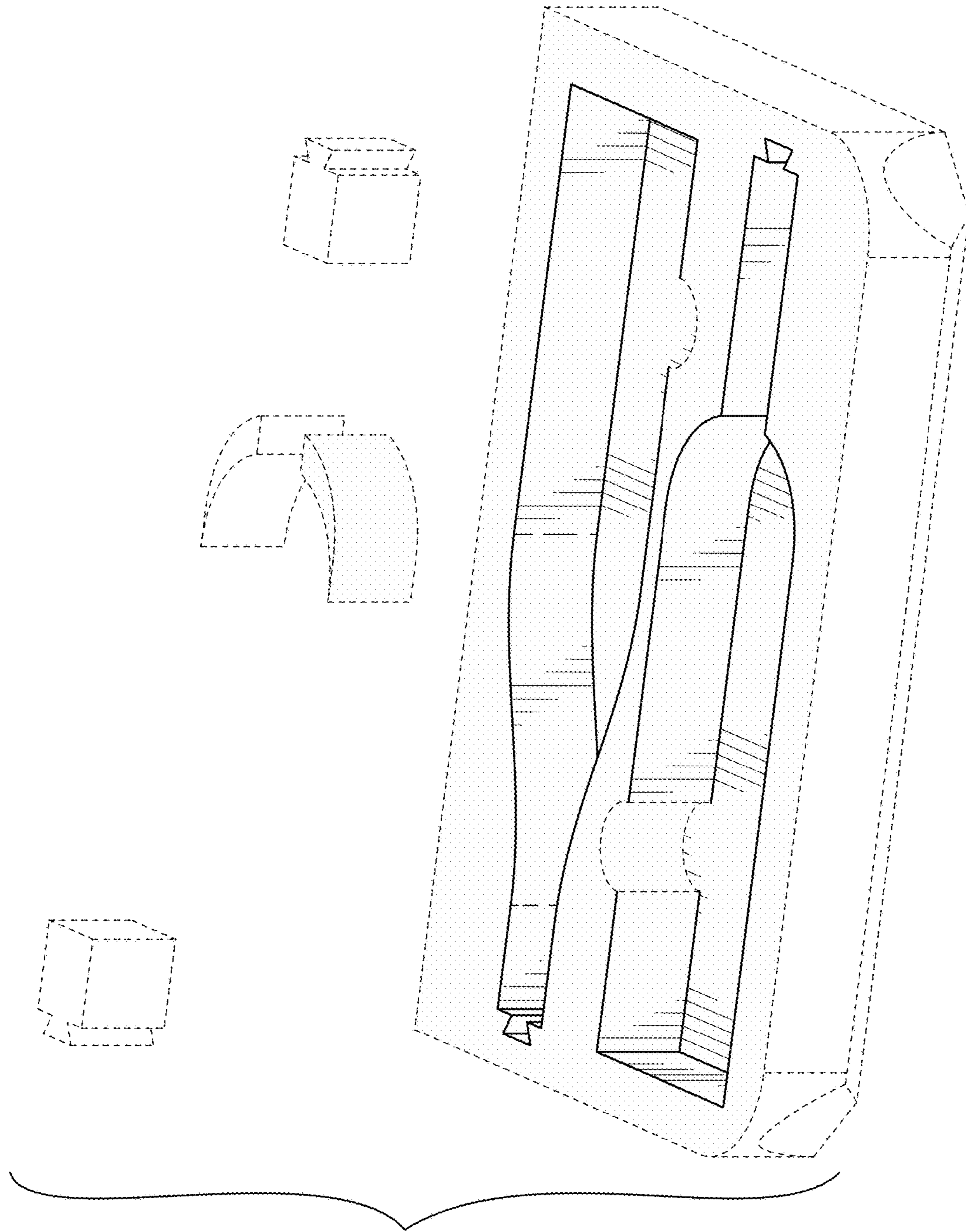


FIG. 8