



US00D857391S

(12) **United States Design Patent** (10) **Patent No.:** **US D857,391 S**
Coleman (45) **Date of Patent:** **** Aug. 27, 2019**

(54) **CASE**

(71) Applicant: **KASES INTERNATIONAL, INC.**,
Irvine, CA (US)
(72) Inventor: **Debbie Coleman**, Irvine, CA (US)
(73) Assignee: **KASES INTERNATIONAL, INC.**,
Irvine, CA (US)
(**) Term: **15 Years**

(21) Appl. No.: **29/642,498**
(22) Filed: **Mar. 29, 2018**
(51) **LOC (12) Cl.** **03-01**
(52) **U.S. Cl.**
USPC **D3/301**
(58) **Field of Classification Search**
USPC D3/273, 274, 276, 277, 285, 289, 301,
D3/901, 905, 902, 205, 280, 203.1, 203.6,
D3/226, 227, 232, 246, 247, 249, 251,
D3/254, 287
CPC B25H 3/00; B25H 3/006; B25H 3/021;
B25H 3/02; A45C 7/0077; A45C 7/00;
A45C 11/00; A45C 11/26; A47G 25/54
See application file for complete search history.

(56) **References Cited**

U.S. PATENT DOCUMENTS

D359,163 S *	6/1995	Summerfield	D3/205
D430,393 S *	9/2000	Conway	D3/203.3
D560,361 S *	1/2008	Huang	D3/301
D611,696 S *	3/2010	Hay	D3/205
D645,251 S *	9/2011	Lee	D3/301
D663,944 S *	7/2012	Bouskill	D3/203.1
D687,376 S *	8/2013	Farris-Gilbert	D13/108
D712,144 S *	9/2014	Albanese	D3/301
D723,804 S *	3/2015	Coleman	D3/301
D742,115 S *	11/2015	Besner	D3/249
D808,168 S *	1/2018	Turczynskij	D3/301
D811,723 S *	3/2018	Chen	D3/206
D822,996 S *	7/2018	Ehara	D3/301

OTHER PUBLICATIONS

Kases, "Overview", Accessed Oct. 26, 2018. (<https://www.kasesproducts.com/overview/>) (Year: 2018).*
(Continued)

Primary Examiner — Jennifer Rivard
Assistant Examiner — April Rivas
(74) *Attorney, Agent, or Firm* — Snell & Wilmer LLP

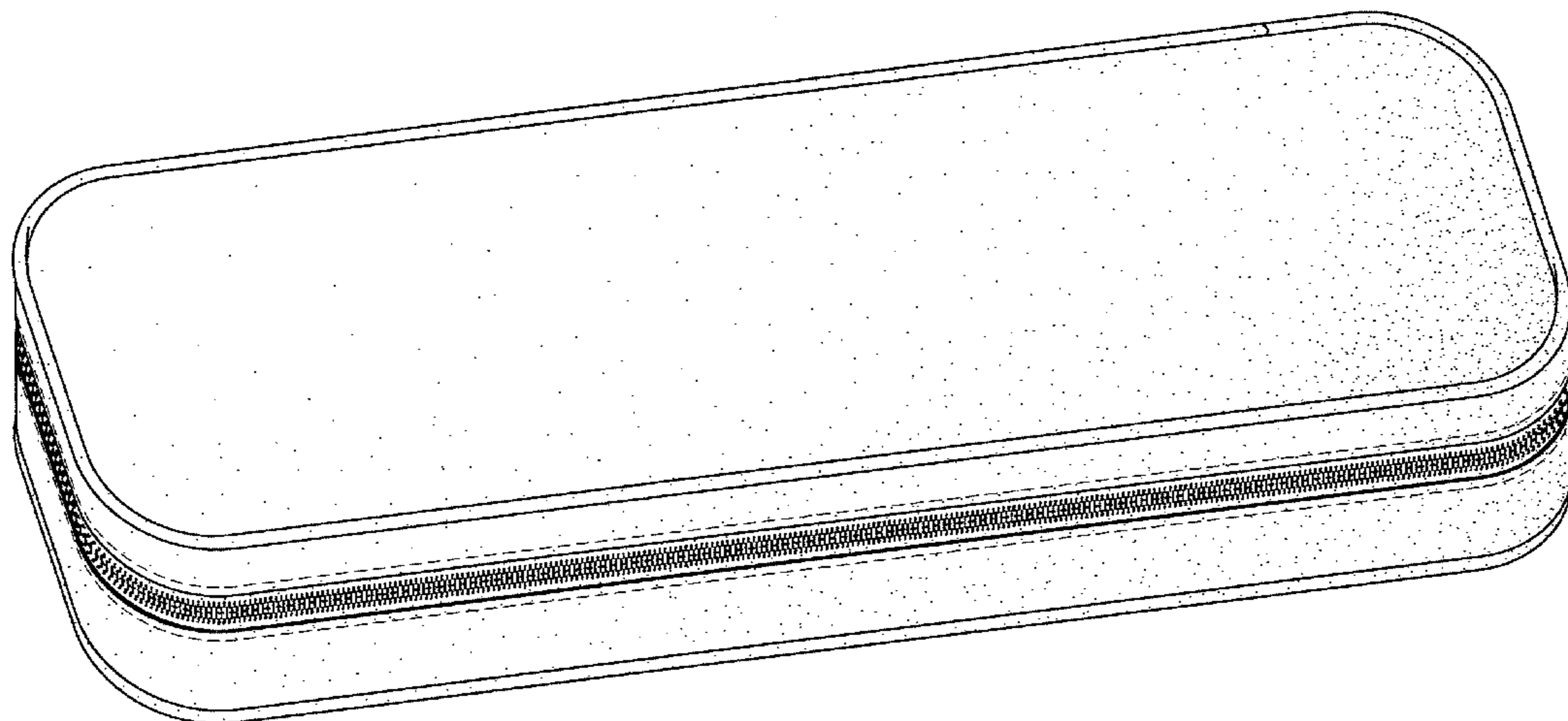
(57) **CLAIM**

I claim the ornamental design for a case, as shown and described.

DESCRIPTION

FIG. 1 is a perspective view of the case showing my new design;
FIG. 2 is a front view of the case;
FIG. 3 is a rear view of the case;
FIG. 4 is a left side view of the case;
FIG. 5 is a right side view of the case;
FIG. 6 is a bottom view of the case;
FIG. 7 is a top view of the case;
FIG. 8 is a front perspective view of the case with the case being opened;
FIG. 9 is a front perspective view of the case with the inside compartments removed;
FIG. 10 is a cross-sectional view of the top compartment of the case taken from line 10 in FIG. 2; and,
FIG. 11 is a cross-sectional view of the bottom compartment of the case taken from line 11 in FIG. 2.
The broken lines in the FIGURES depict portions of the case that form no part of the claimed design. The unshaded surfaces bounded by the broken lines form no part of the claimed design. The compartments are shown removed in FIG. 9 for convenience of illustration only.

1 Claim, 8 Drawing Sheets



(56)

References Cited

OTHER PUBLICATIONS

Skits Products, "Geek Sport Graphite Nylon", Accessed Oct. 26, 2018. (<http://www.skitsproducts.com/store/p/94-Geek-Sport-Graphite-Nylon-Large-Cords-and-Accessories-Tech-Case.aspx>) (Year: 2018).*

Amazon, "AAA 121 Piece Road Trip First Aid Kit", First on sale Jun. 26, 2007. (<https://www.amazon.com/Lifeline-4180AAA-121-Piece-Road-First/dp/B000SL4A84>) (Year: 2007).*

* cited by examiner

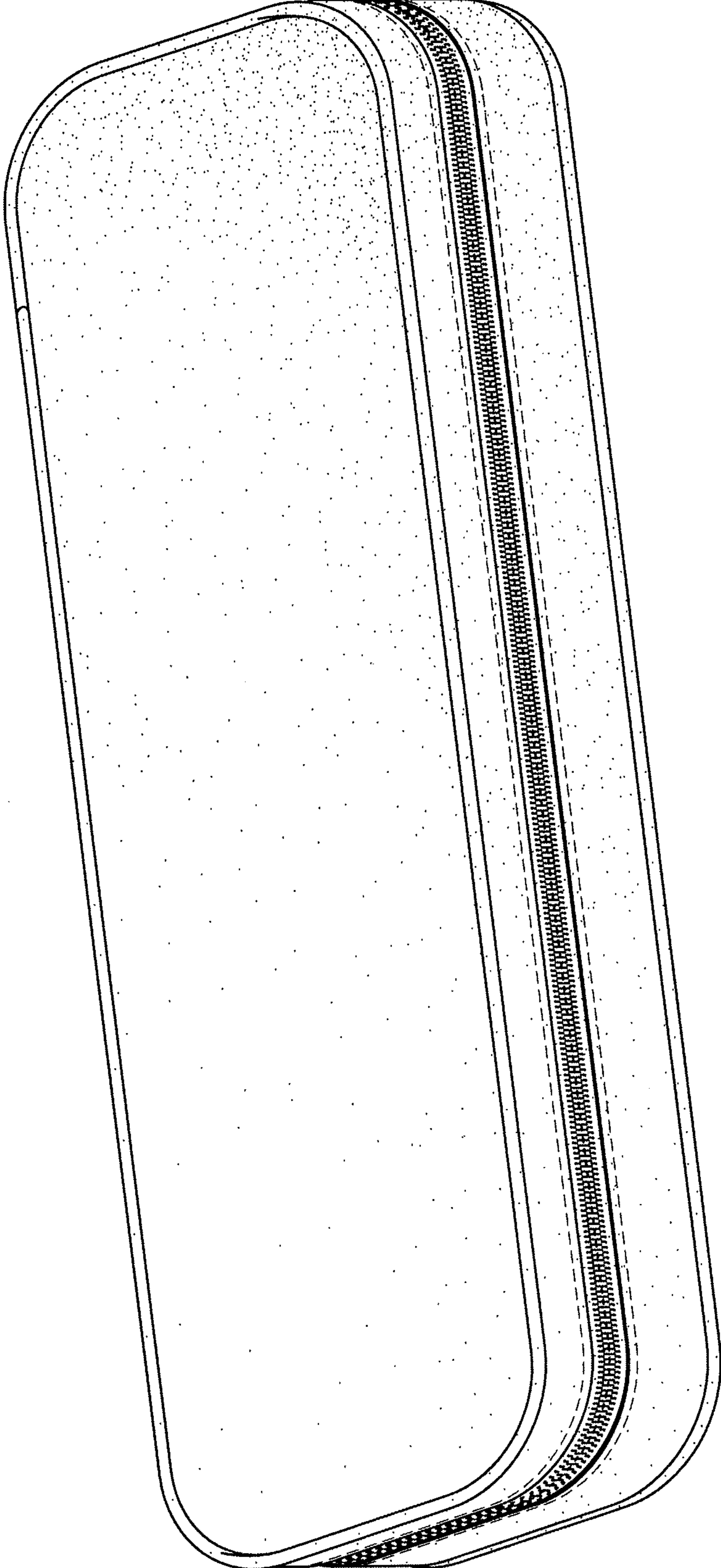


FIG. 1

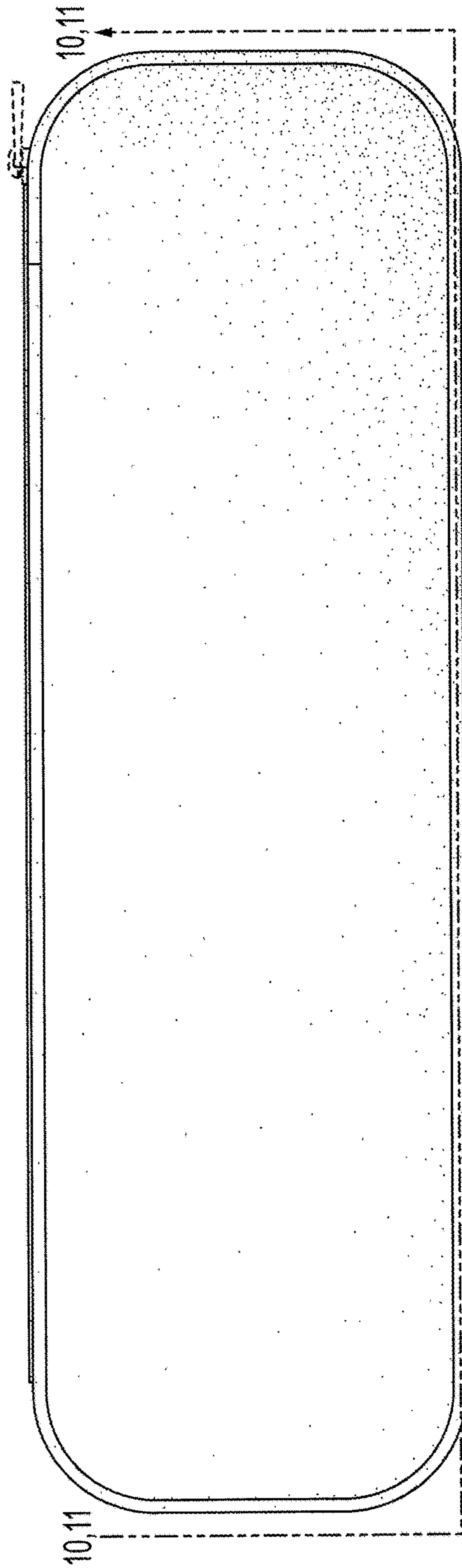


FIG. 2

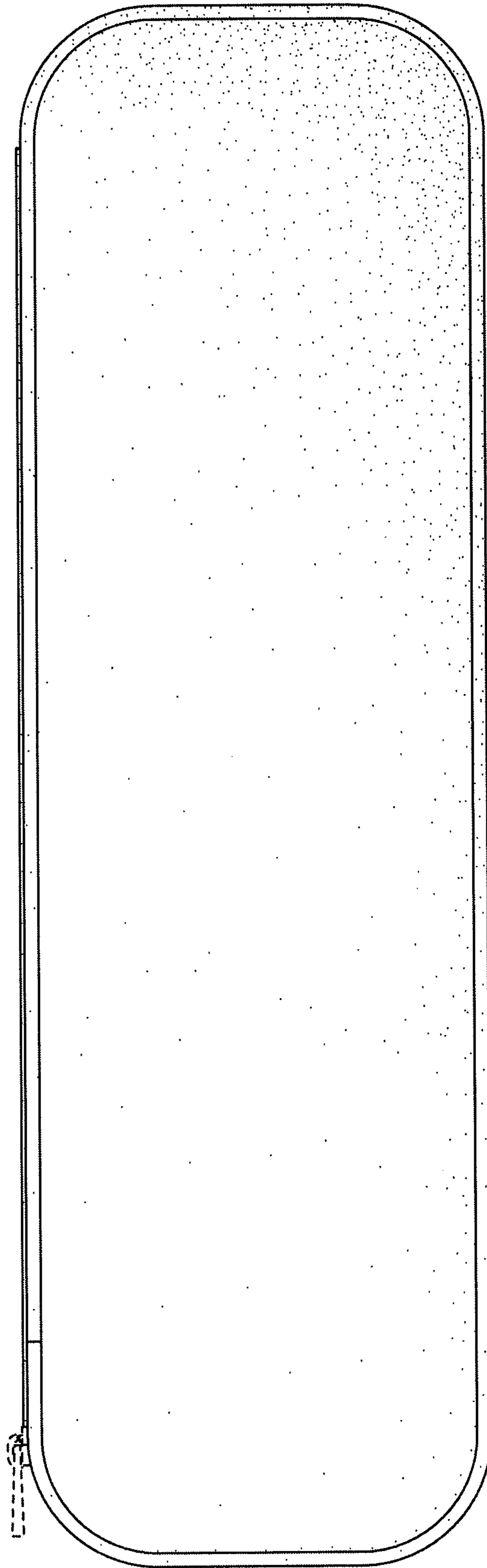


FIG. 3

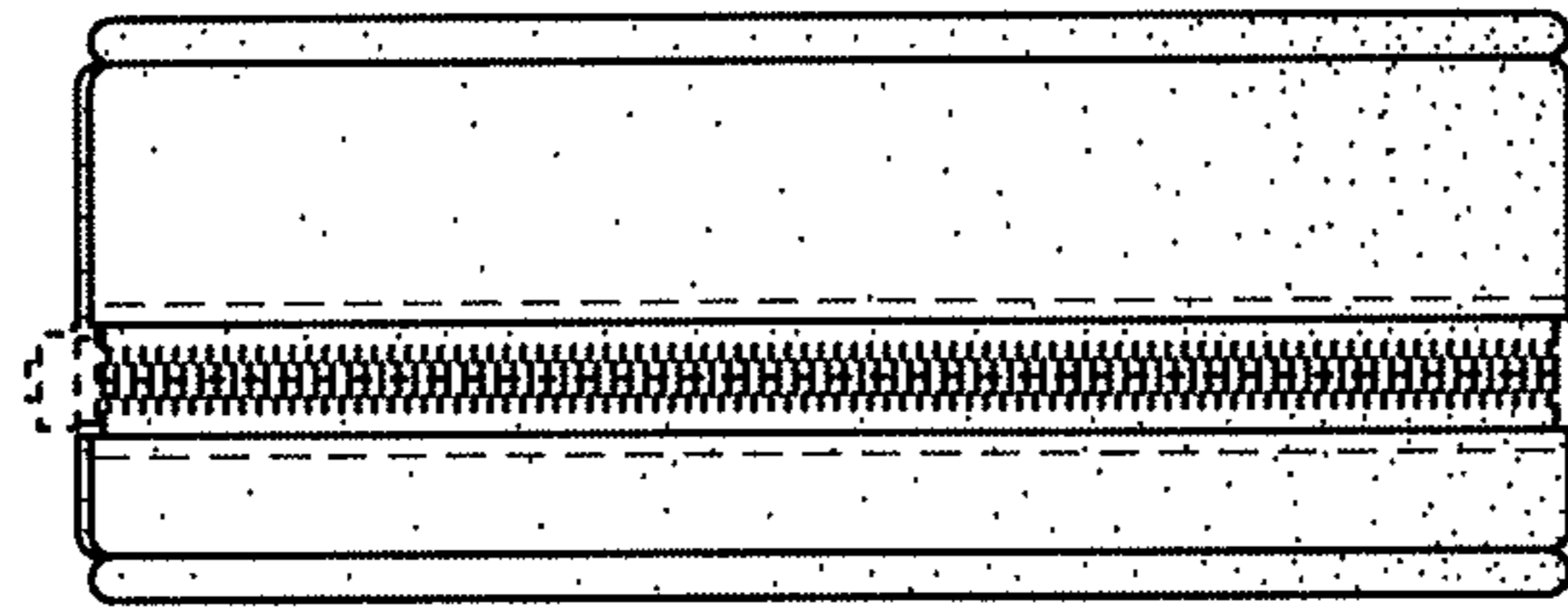


FIG. 5

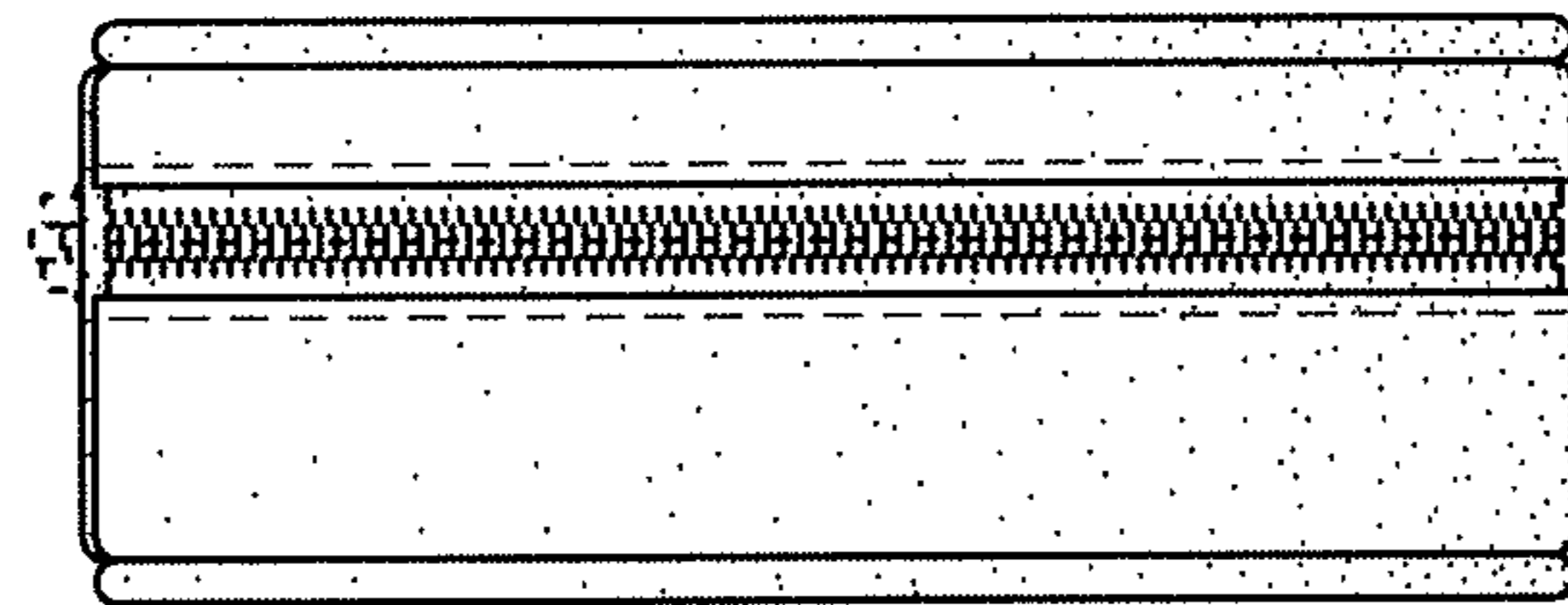


FIG. 4

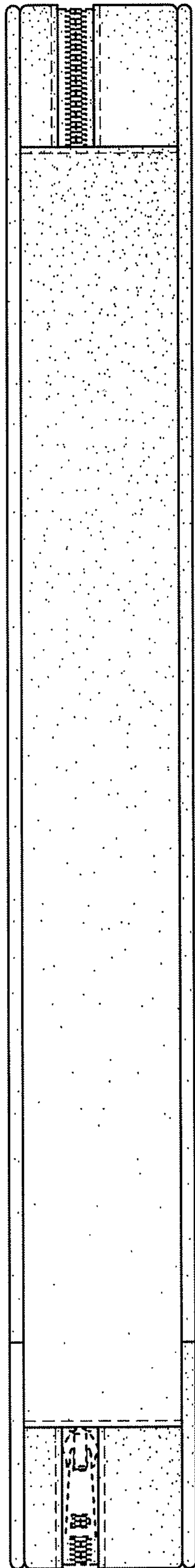


FIG. 6

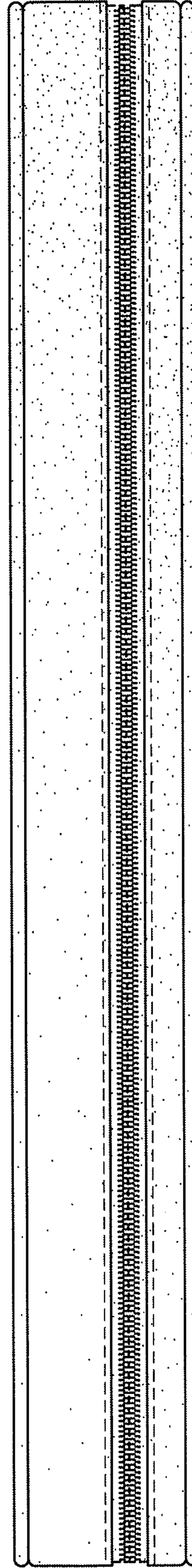


FIG. 7

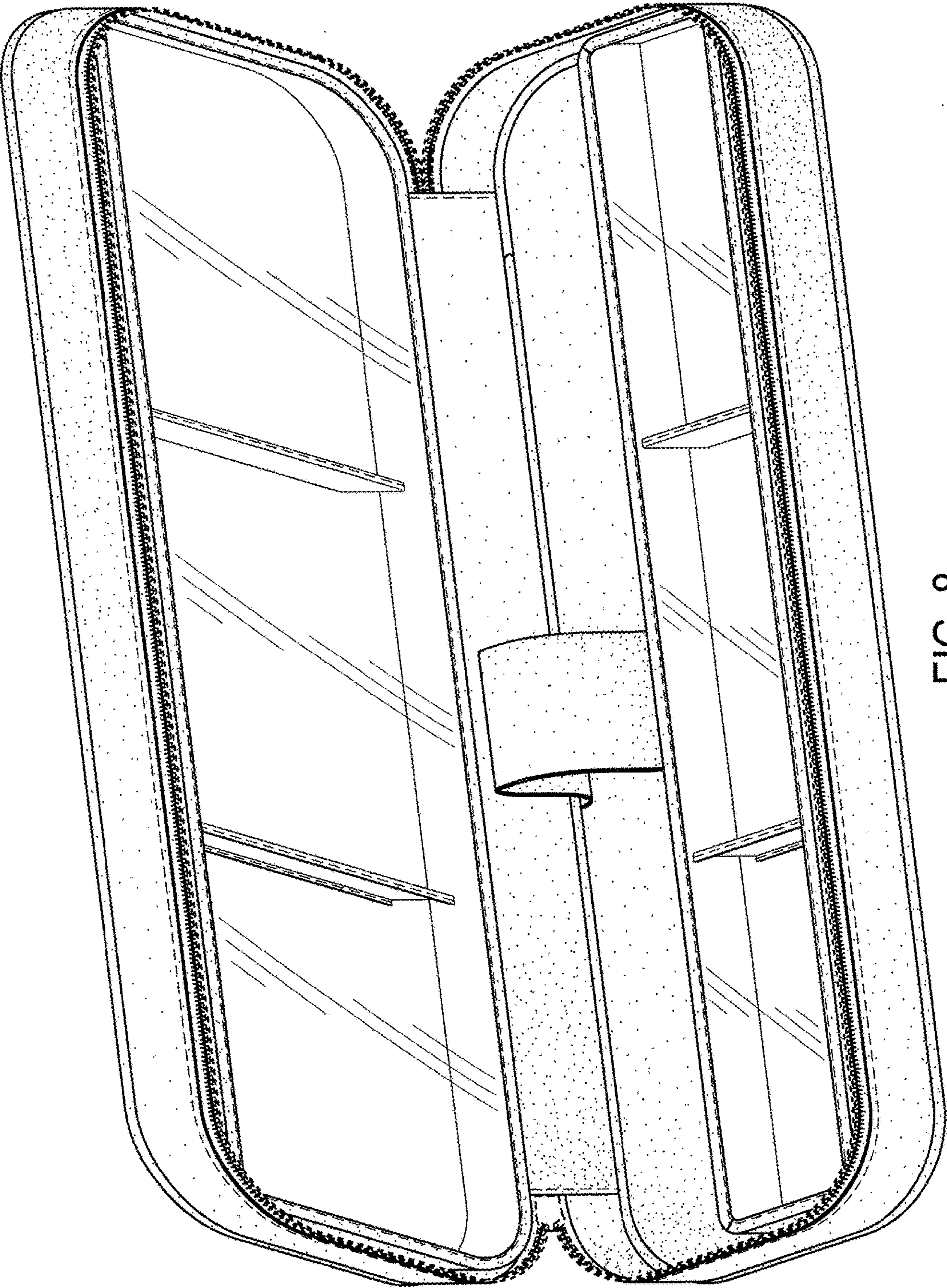


FIG. 8

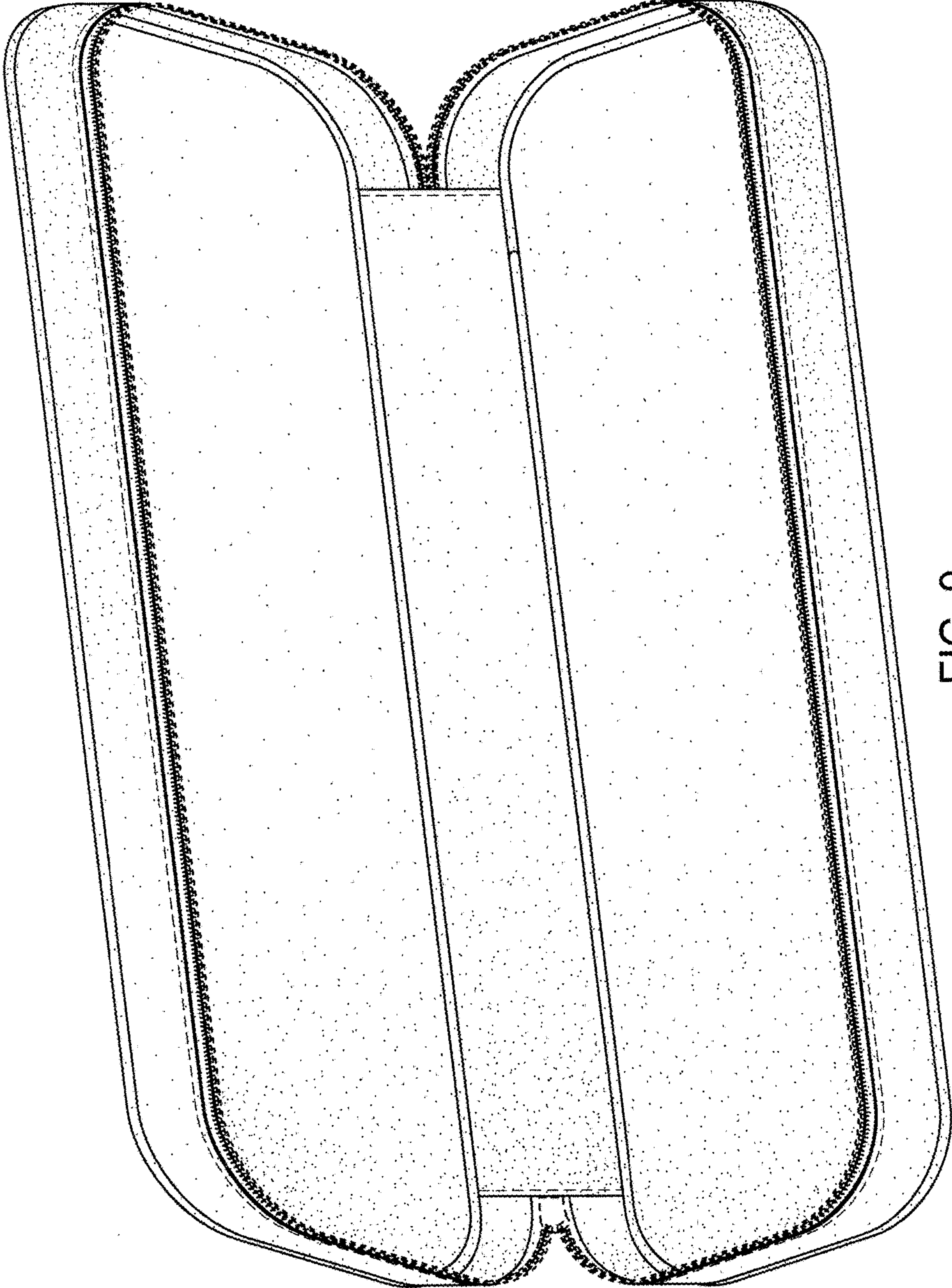


FIG. 9

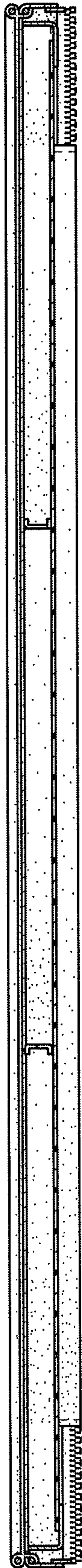


FIG. 10

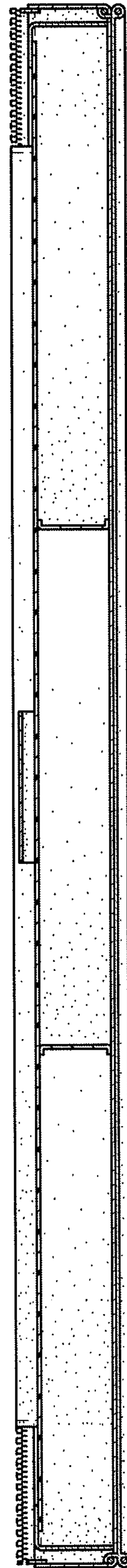


FIG. 11