



US00D857389S

(12) **United States Design Patent** (10) **Patent No.:** **US D857,389 S**
Hsiao (45) **Date of Patent:** **** Aug. 27, 2019**

(54) **TOOL BOX**

(71) Applicant: **YUN CHAN INDUSTRY CO., LTD.,**
New Taipei (TW)

(72) Inventor: **Fu-Jui Hsiao,** New Taipei (TW)

(73) Assignee: **YUN CHAN INDUSTRY CO., LTD.,**
New Taipei (TW)

(**) Term: **15 Years**

(21) Appl. No.: **29/670,475**

(22) Filed: **Nov. 15, 2018**

(51) **LOC (12) Cl.** **03-01**

(52) **U.S. Cl.**
USPC **D3/294**

(58) **Field of Classification Search**
USPC D3/272, 273, 274, 275, 276, 281, 284,
D3/292, 294, 306; D9/414, 418,
D9/420-423, 432
CPC .. A45C 5/00; A45C 5/04; A45C 11/00; A45C
11/16
See application file for complete search history.

(56) **References Cited**

U.S. PATENT DOCUMENTS

D569,616 S * 5/2008 Lin D3/273
D617,987 S * 6/2010 Wang D3/294
D633,294 S * 3/2011 Jamison D3/282
D636,182 S * 4/2011 Yang D3/294

D645,663 S * 9/2011 Henley D3/294
D703,439 S * 4/2014 Fair D3/289
D704,442 S * 5/2014 Chen D3/294
D721,231 S * 1/2015 Steele D3/282
D733,429 S * 7/2015 Grenier D3/294
D740,559 S * 10/2015 Steele D3/281
D753,917 S * 4/2016 Koeniger D3/294
D754,436 S * 4/2016 Ou D3/282
D775,818 S * 1/2017 Ingraham D3/218
D789,086 S * 6/2017 Lin D3/294
D809,800 S * 2/2018 Komatsu D3/321

* cited by examiner

Primary Examiner — Holly E Thurman

(74) *Attorney, Agent, or Firm* — Leong C. Lei

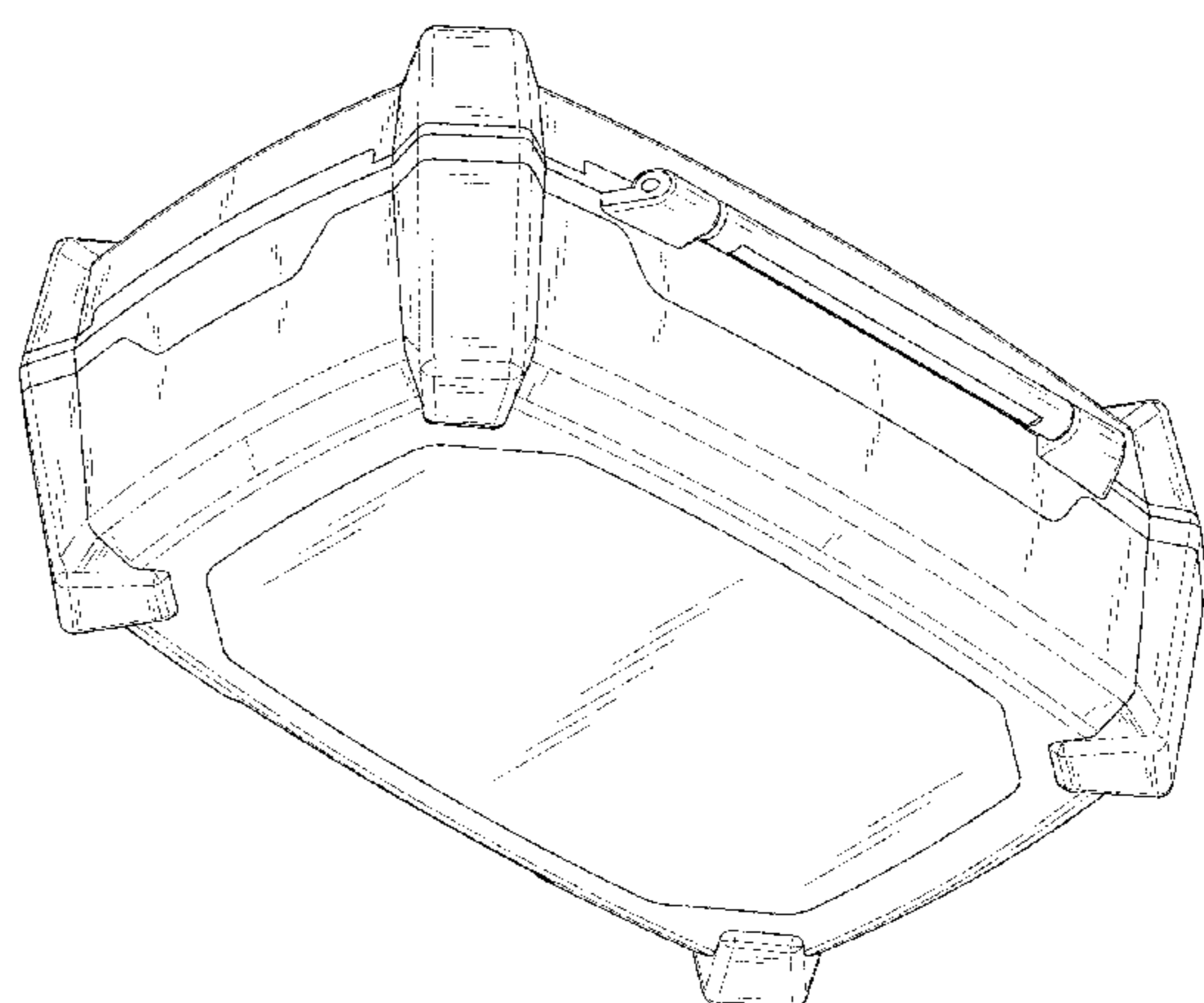
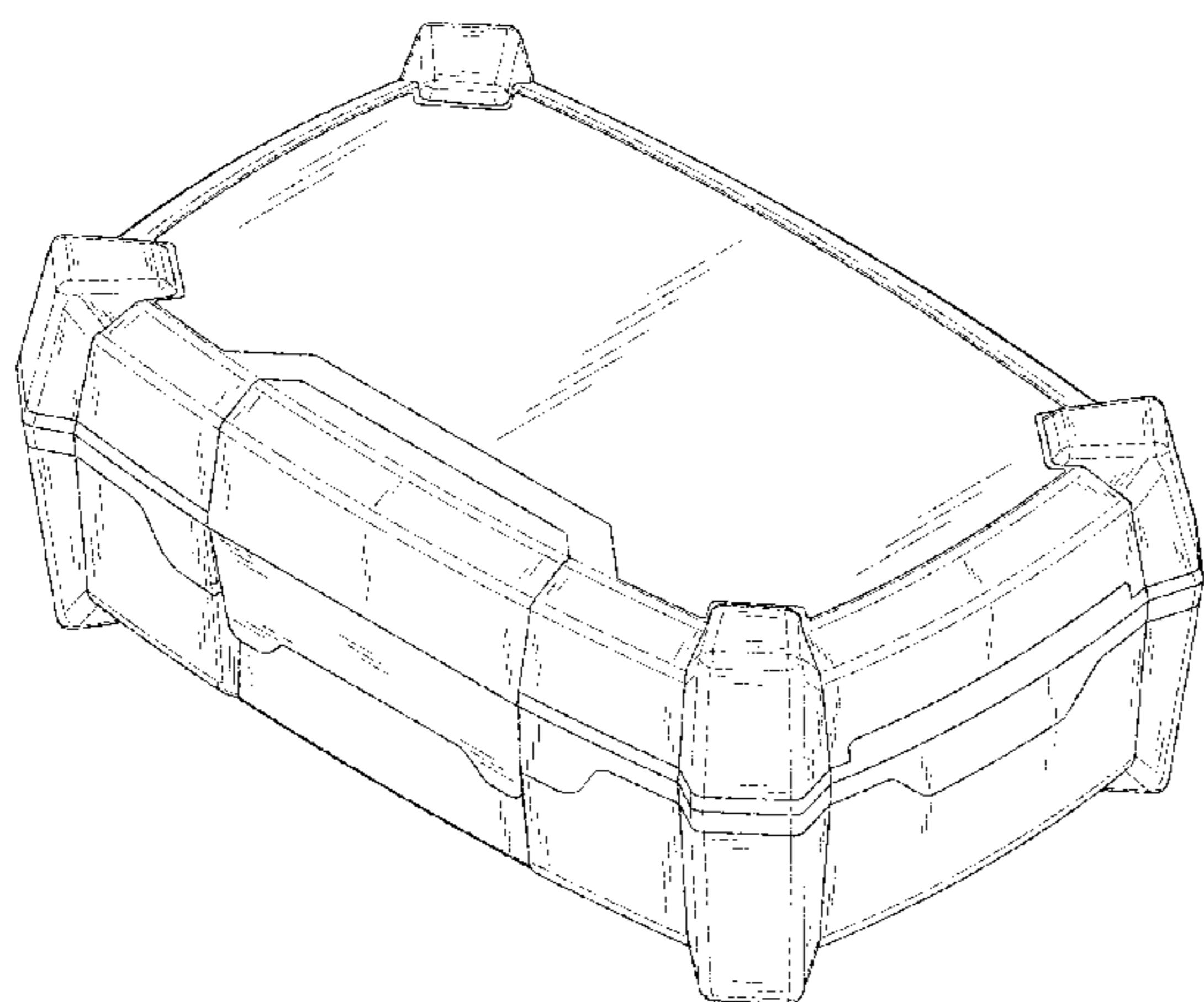
(57) **CLAIM**

The ornamental design for a tool box, as shown and described.

DESCRIPTION

FIG. 1 is a perspective view of a tool box showing my new design;
FIG. 2 is a front elevational view thereof;
FIG. 3 is a rear elevational view thereof;
FIG. 4 is a left side elevational view thereof;
FIG. 5 is a right side elevational view thereof;
FIG. 6 is a top plan view thereof;
FIG. 7 is a bottom plan view thereof; and,
FIG. 8 is a bottom perspective view thereof.

1 Claim, 8 Drawing Sheets



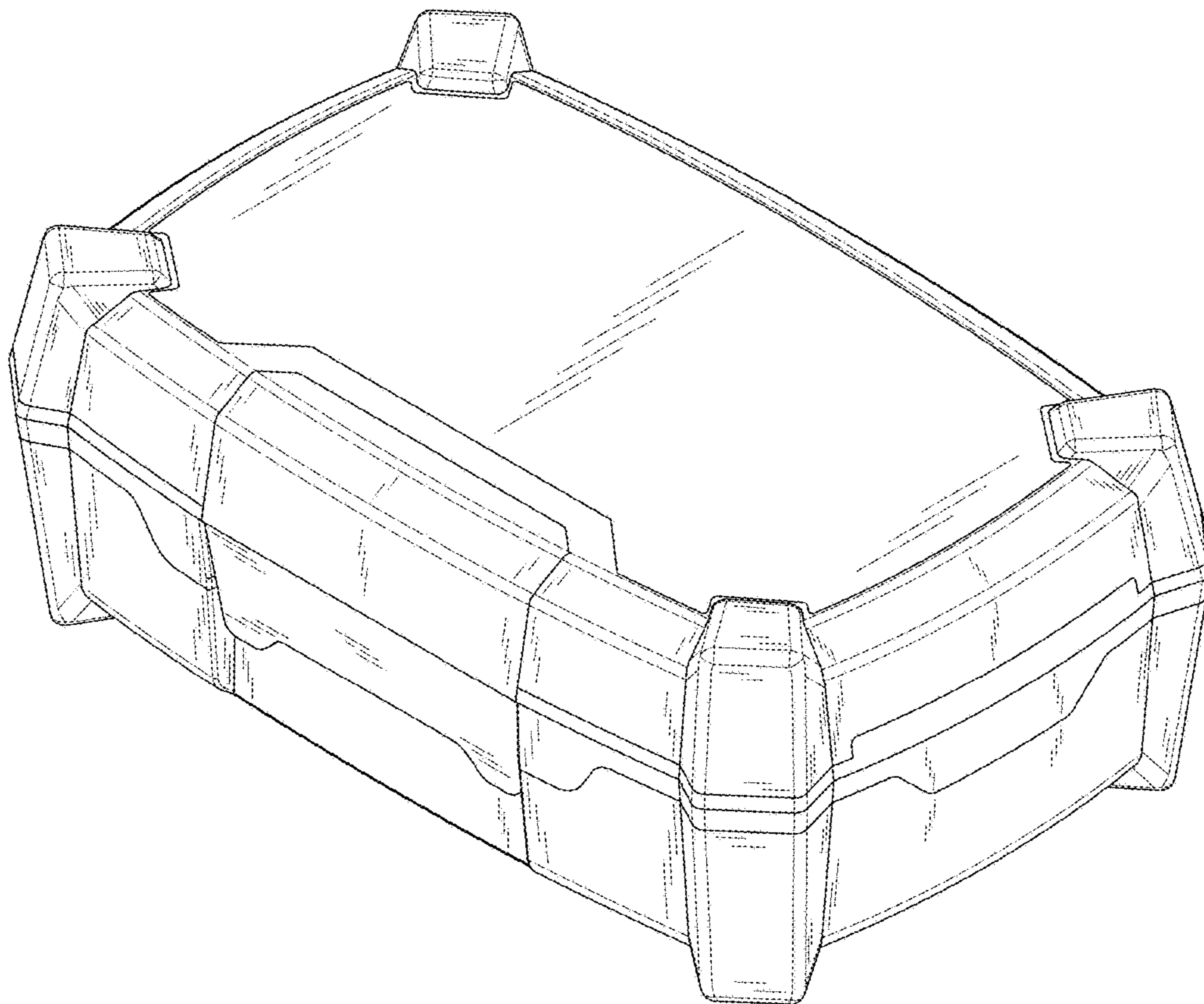


FIG. 1

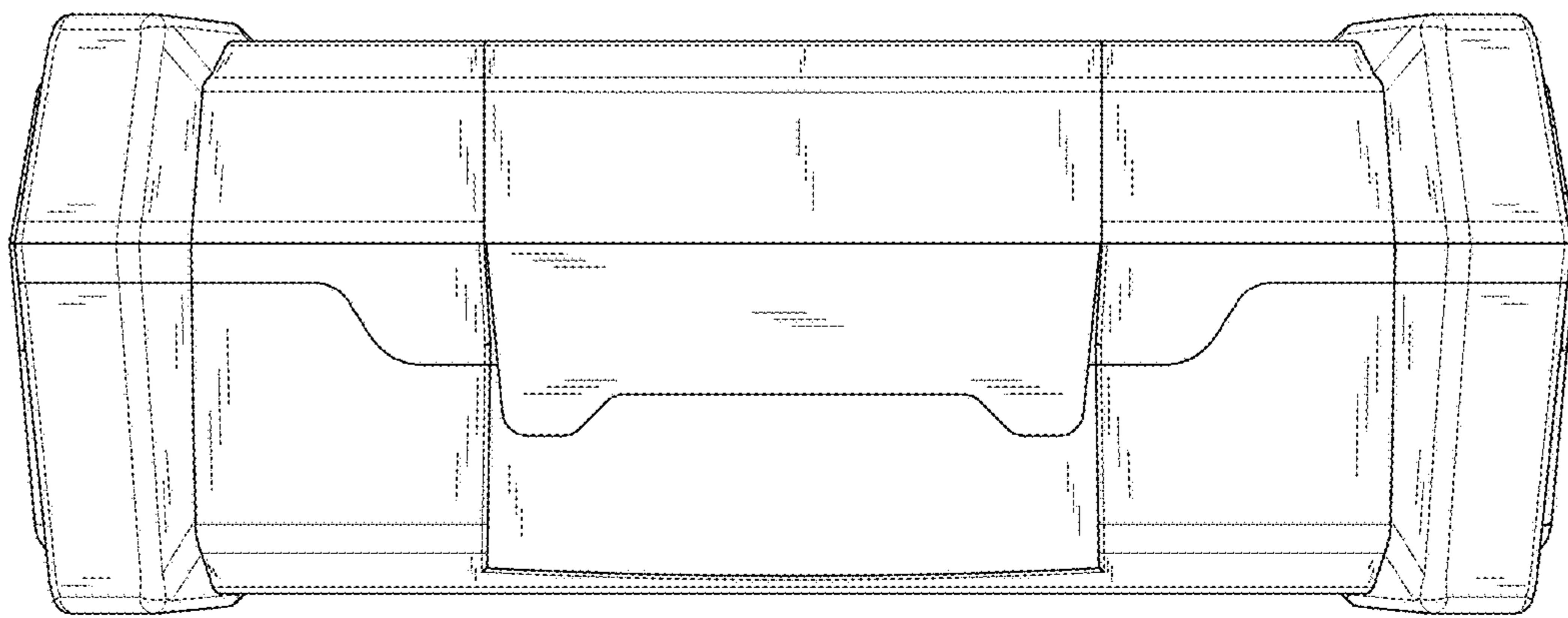


FIG. 2

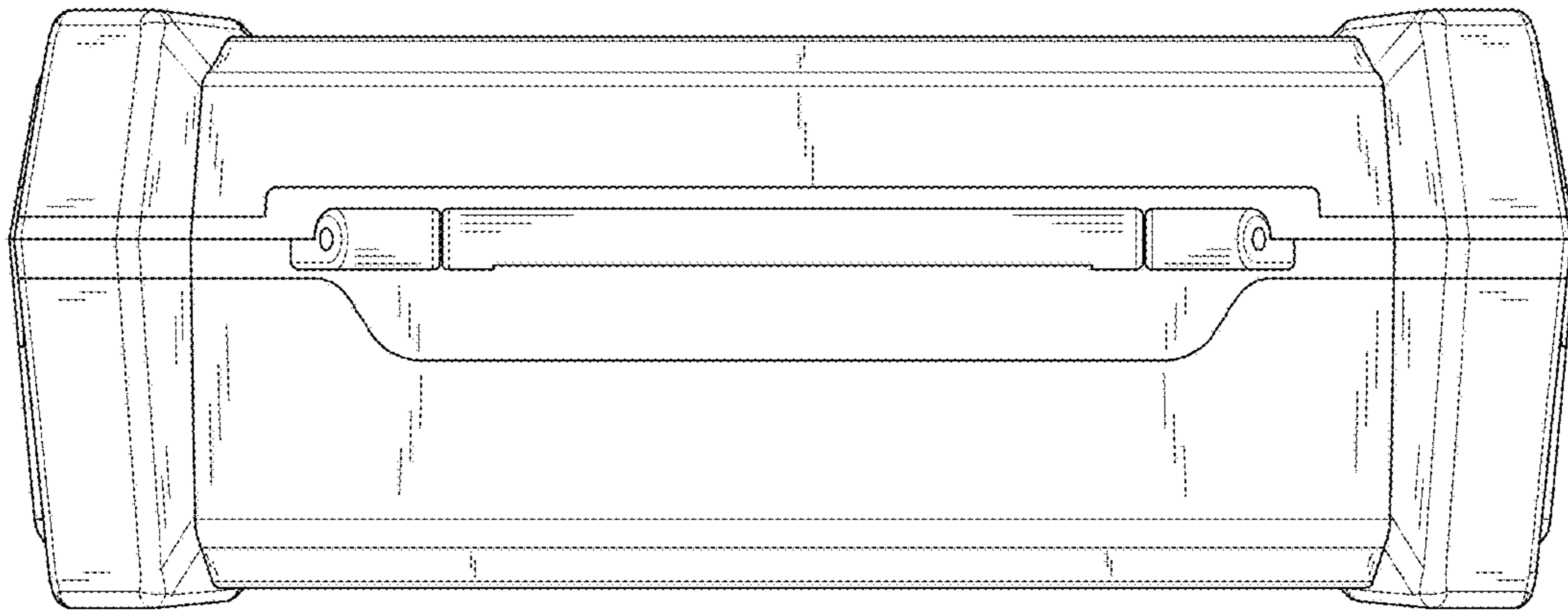


FIG. 3

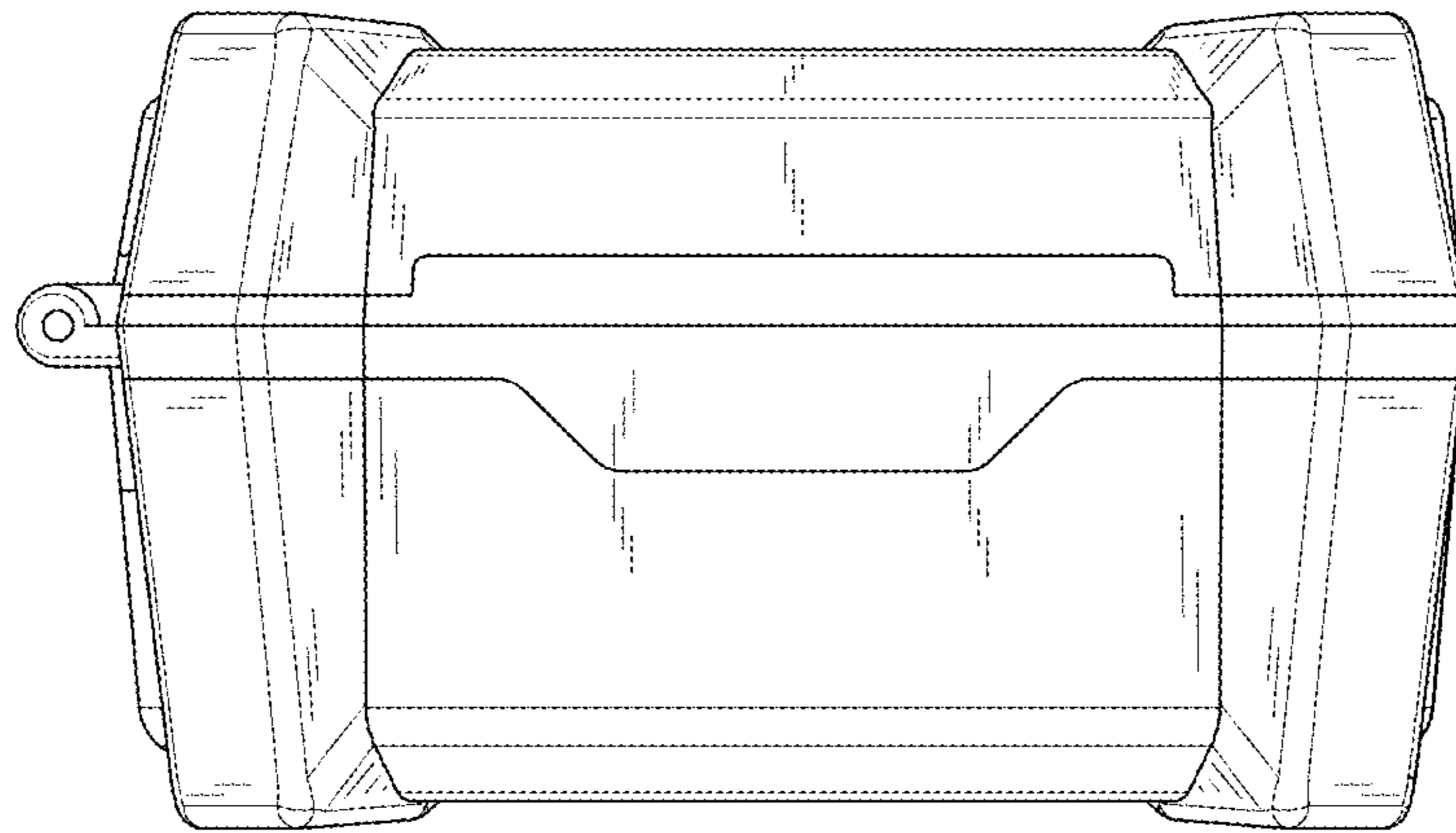


FIG. 4

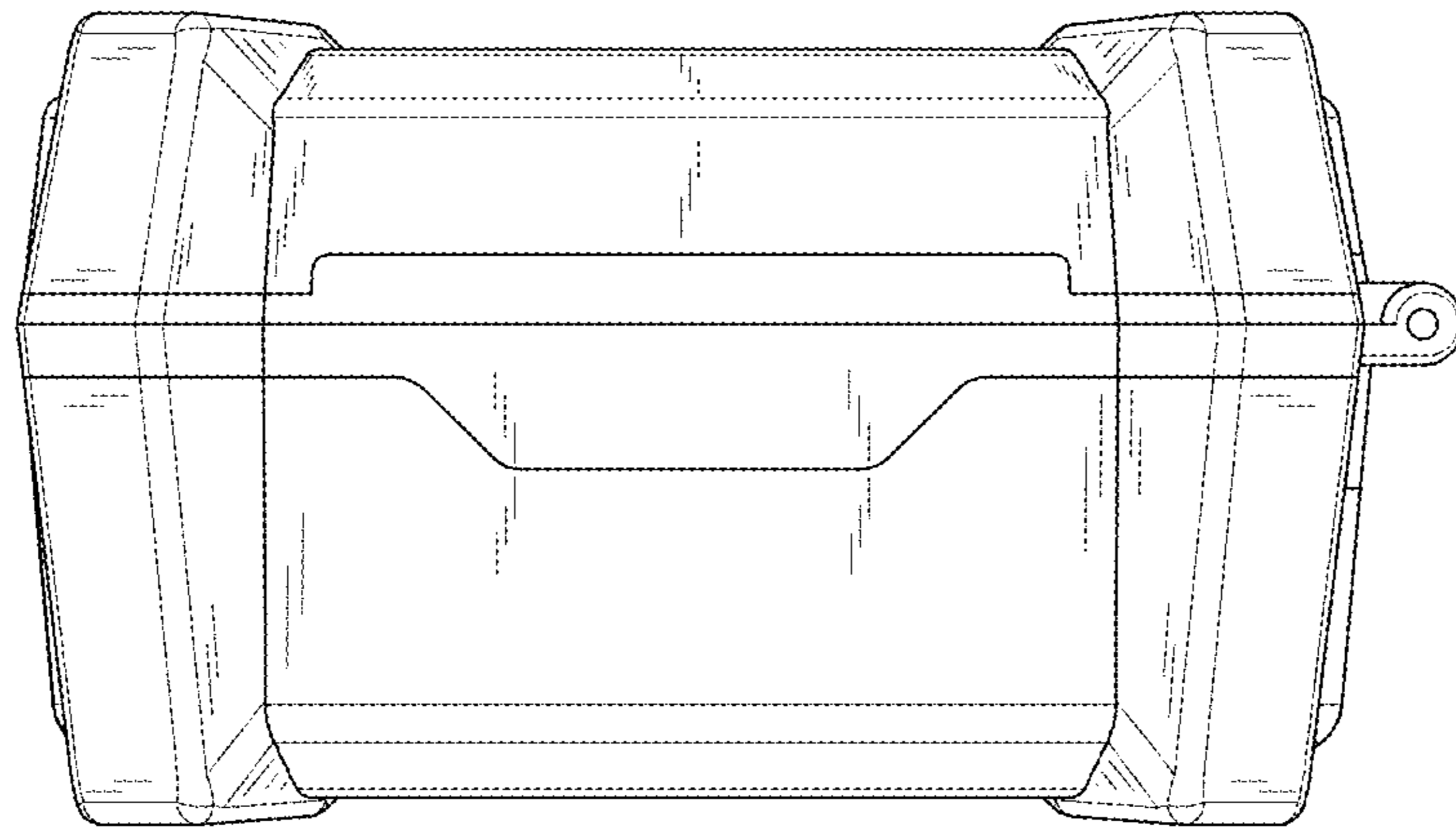


FIG. 5

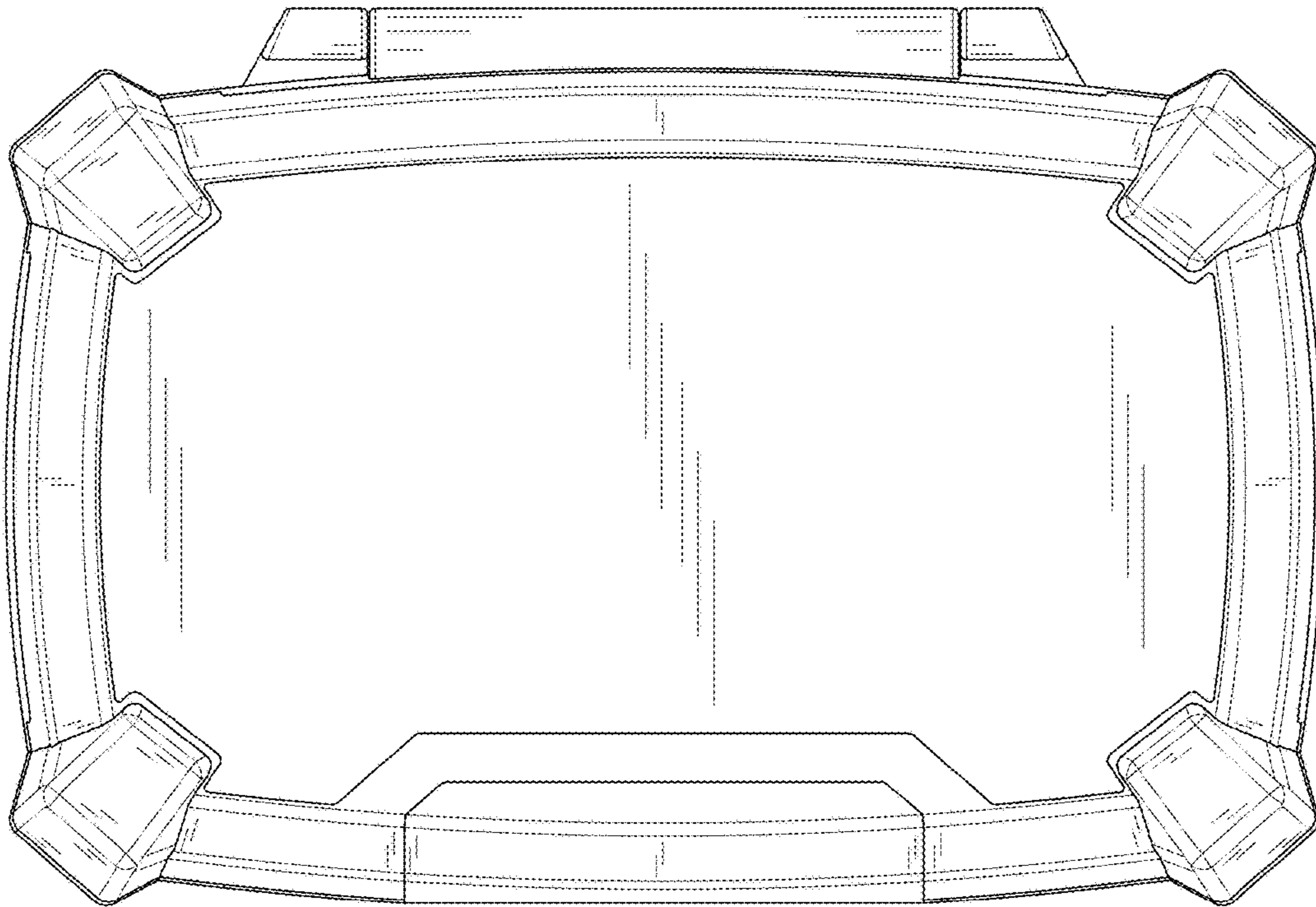


FIG. 6

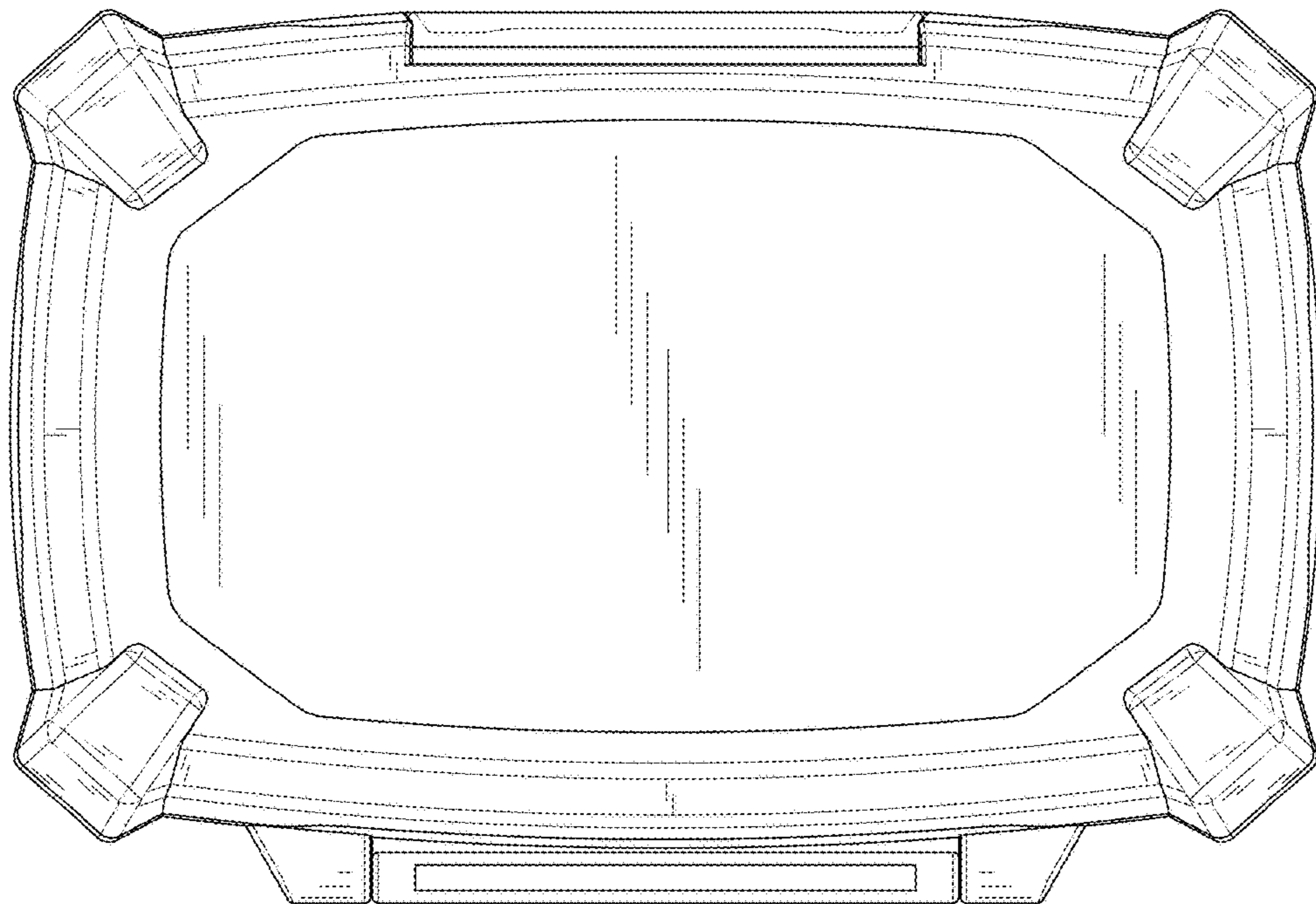


FIG. 7

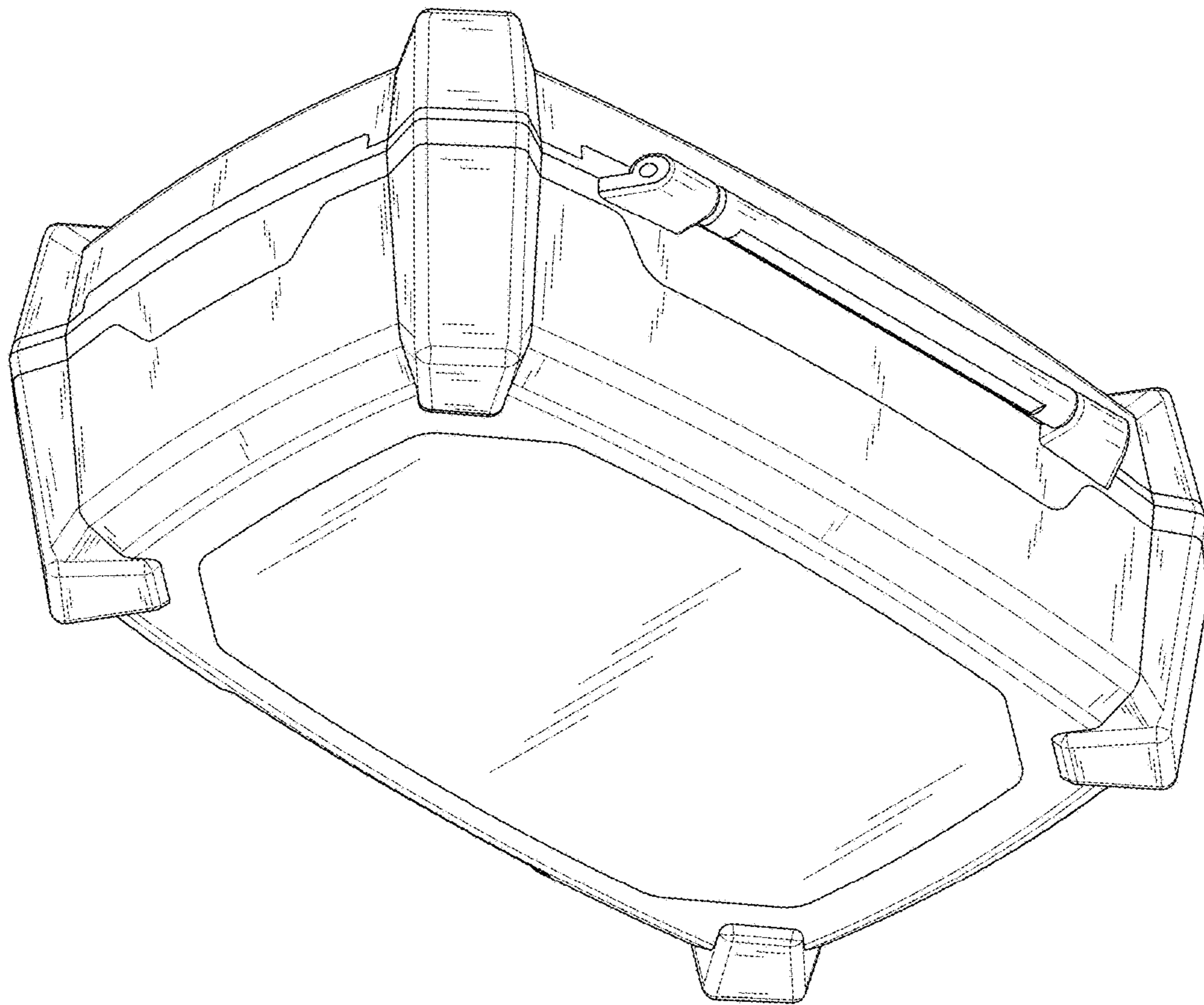


FIG. 8