



US00D857388S

(12) **United States Design Patent** (10) **Patent No.:** **US D857,388 S**
Shpitzer (45) **Date of Patent:** **** *Aug. 27, 2019**

(54) **TOOLBOX**
(71) Applicant: **The Stanley Works Israel Ltd.**, Rosh Ha' Ayin (IL)
(72) Inventor: **Yaron Shpitzer**, Rishon Le'Tsiyon (IL)
(73) Assignee: **The Stanley Works Israel Inc.**, Rosh Ha' Ayin (IL)

D744,750 S * 12/2015 Sabbag D3/281
D753,394 S * 4/2016 Brunner D3/276
D753,396 S * 4/2016 Brunner D3/281
D811,084 S * 2/2018 Ballou D3/276
D814,187 S * 4/2018 Caglar D3/276
2011/0181008 A1* 7/2011 Bensman B25H 3/026
280/47.26
2014/0102928 A1* 4/2014 Sabbag B25H 3/028
206/372

(*) Notice: This patent is subject to a terminal disclaimer.
(**) Term: **15 Years**

(21) Appl. No.: **29/624,483**

(22) Filed: **Nov. 1, 2017**

(51) **LOC (12) Cl.** **03-01**

(52) **U.S. Cl.**
USPC **D3/281; D3/291; D3/905**

(58) **Field of Classification Search**
USPC D3/203.2, 203.3, 203.6, 273, 279, 276,
D3/284, 294, 302, 905, 274, 281, 282,
D3/283, 295, 291
CPC B25H 3/00; B25H 3/003; B25H 3/006;
B25H 3/02-028; A45C 5/00; A45C 13/29
See application file for complete search history.

(56) **References Cited**

U.S. PATENT DOCUMENTS

D471,710 S * 3/2003 Rushworth D3/276
D640,056 S * 6/2011 Twig D3/281
D649,350 S * 11/2011 Shitrit D3/281
D668,048 S * 10/2012 Vilkomirski D3/281
D703,436 S * 4/2014 Sabbag D3/281
D709,697 S * 7/2014 Brunner D3/281
D738,105 S * 9/2015 Shitrit D3/276
D742,640 S * 11/2015 Sabbag D3/281

OTHER PUBLICATIONS

Home Depot, "Ridgid 22 in. Pro Tool Box, Black", First reviewed Sep. 13, 2014. (<https://www.homedepot.com/p/RIDGID-22-in-Pro-Tool-Box-Black-222570/205440481>) (Year: 2014).*

* cited by examiner

Primary Examiner — Jennifer Rivard

Assistant Examiner — April Rivas

(74) *Attorney, Agent, or Firm* — Bruce S. Shapiro

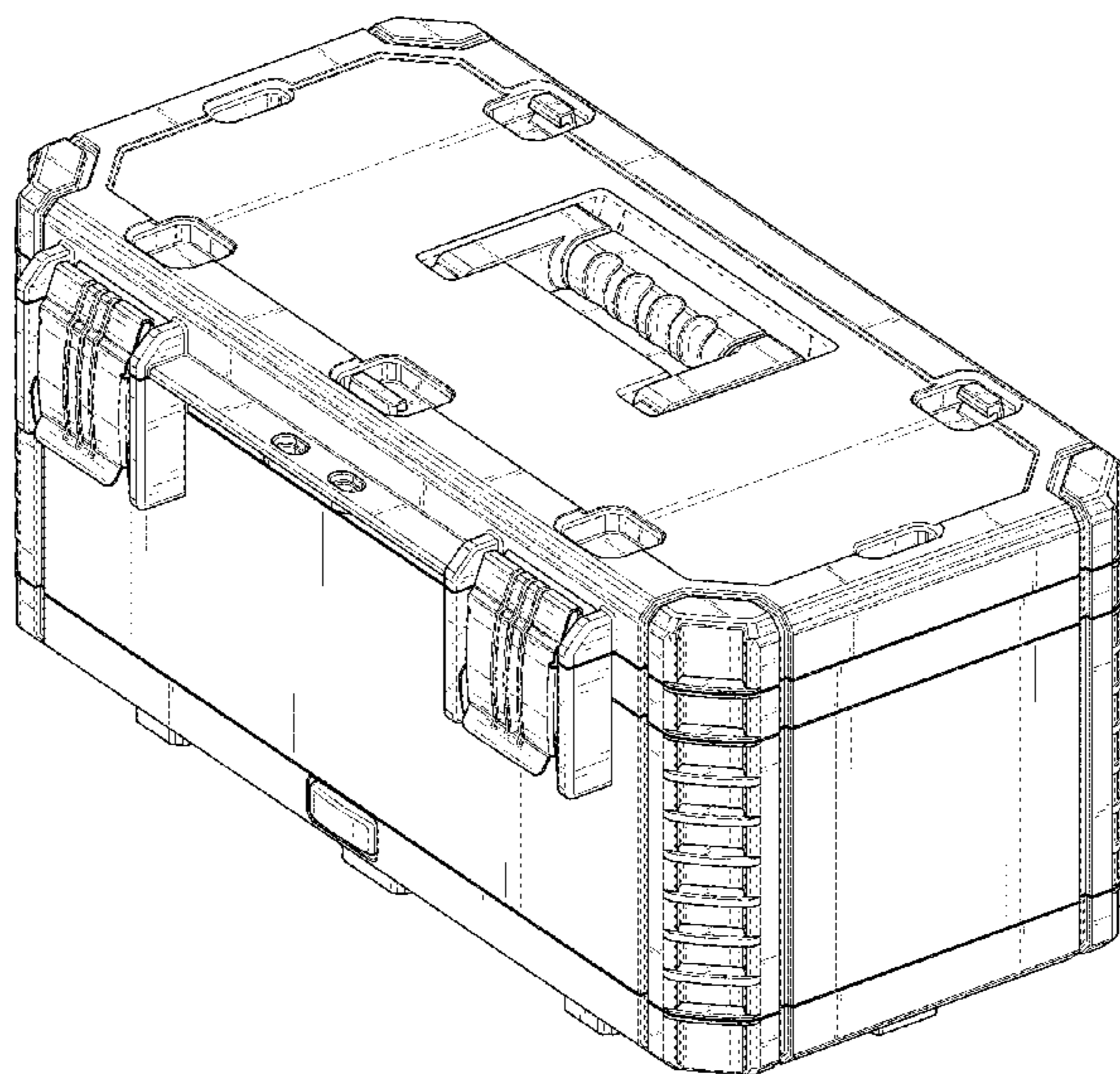
(57) **CLAIM**

The ornamental design for a toolbox, as shown and described.

DESCRIPTION

FIG. 1 is a perspective view of the top side of my new design.
FIG. 2 is a perspective view of the bottom side thereof.
FIG. 3 is a front side elevational view thereof.
FIG. 4 is a back side elevational view thereof.
FIG. 5 is a right side elevational view thereof.
FIG. 6 is a left side elevational view thereof.
FIG. 7 is a top plan view thereof; and,
FIG. 8 is a bottom plan view thereof.
The broken lines illustrate portions of the toolbox and form no part of the claimed design.

1 Claim, 8 Drawing Sheets



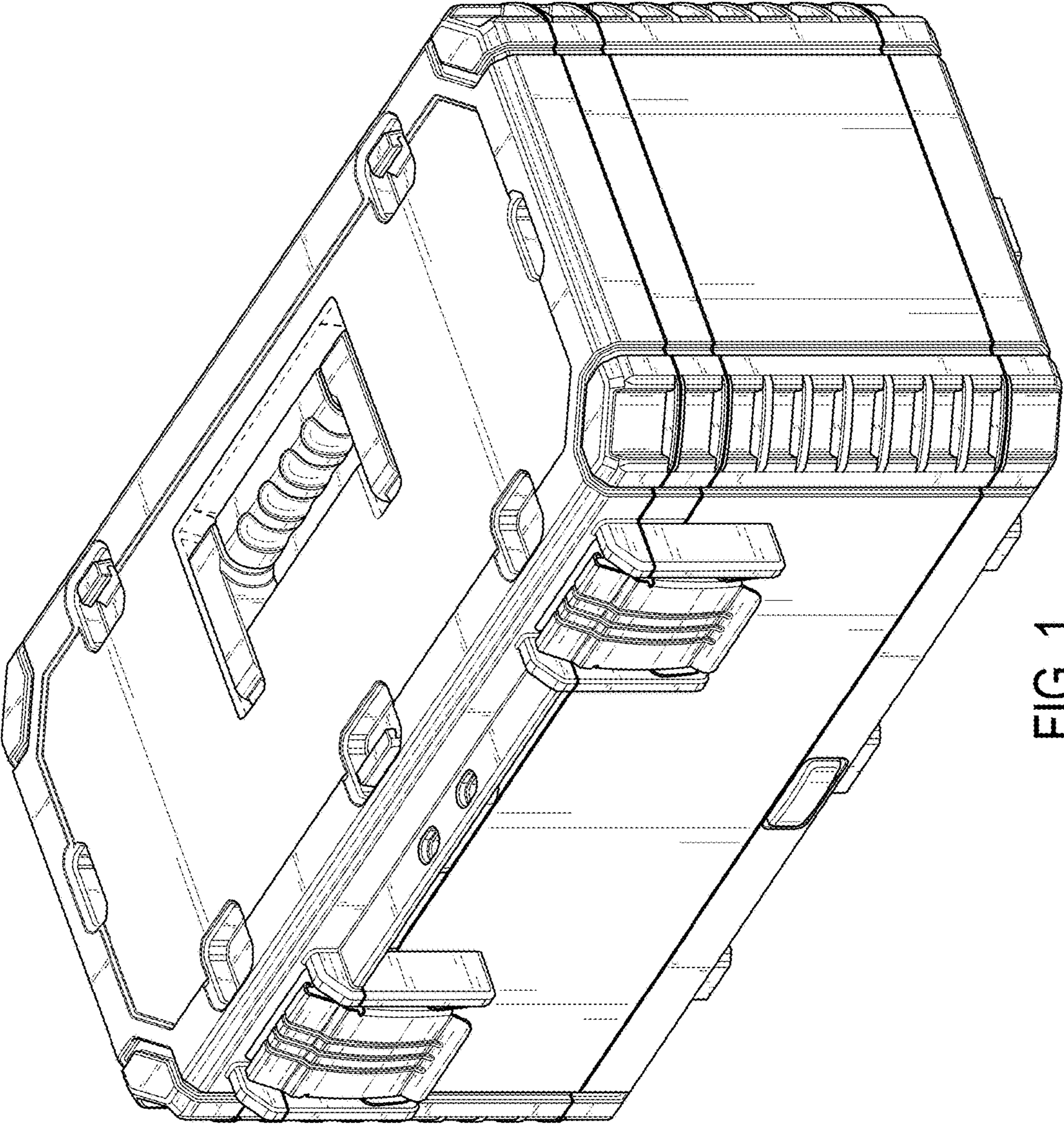


FIG. 1

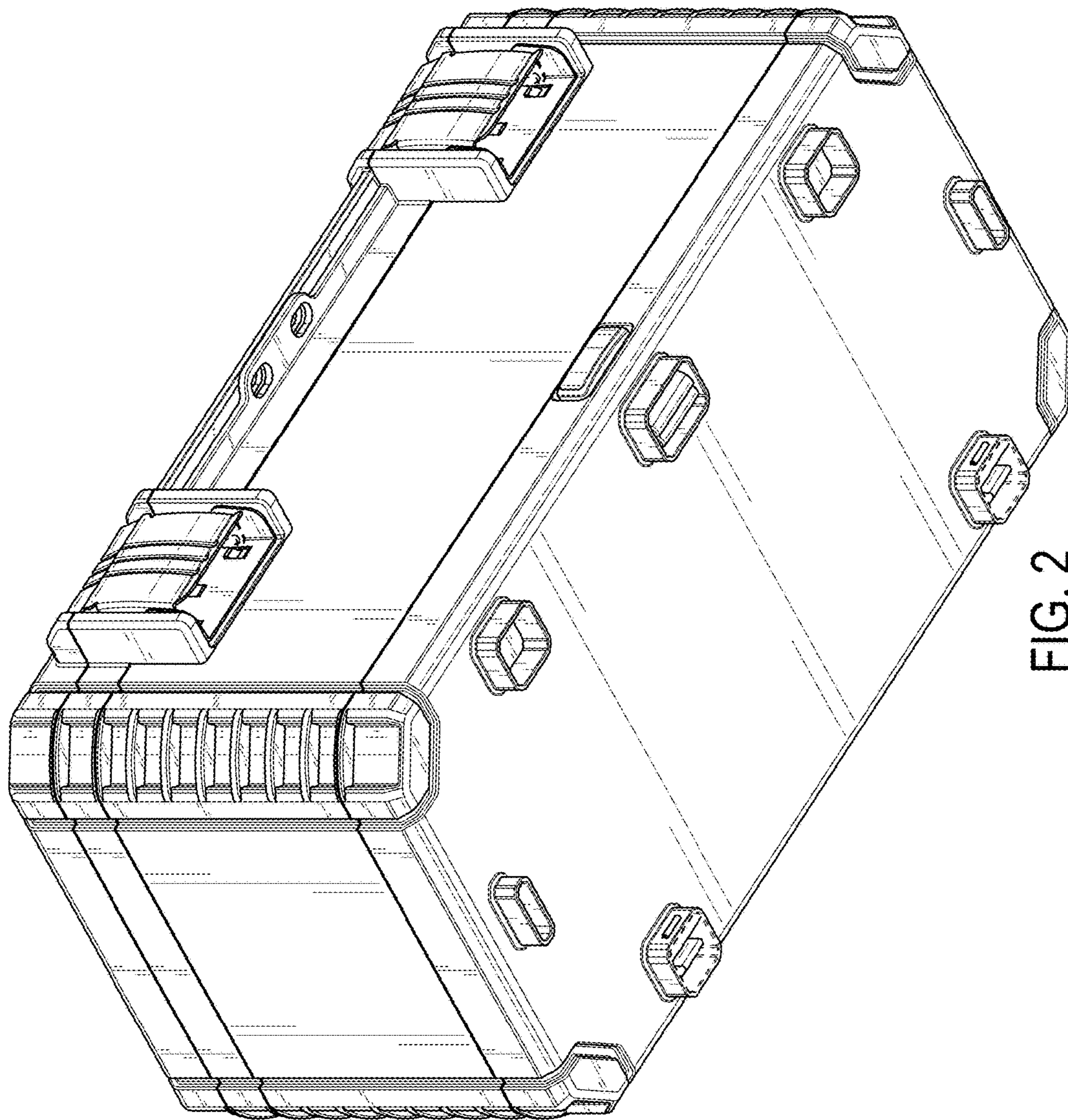


FIG. 2

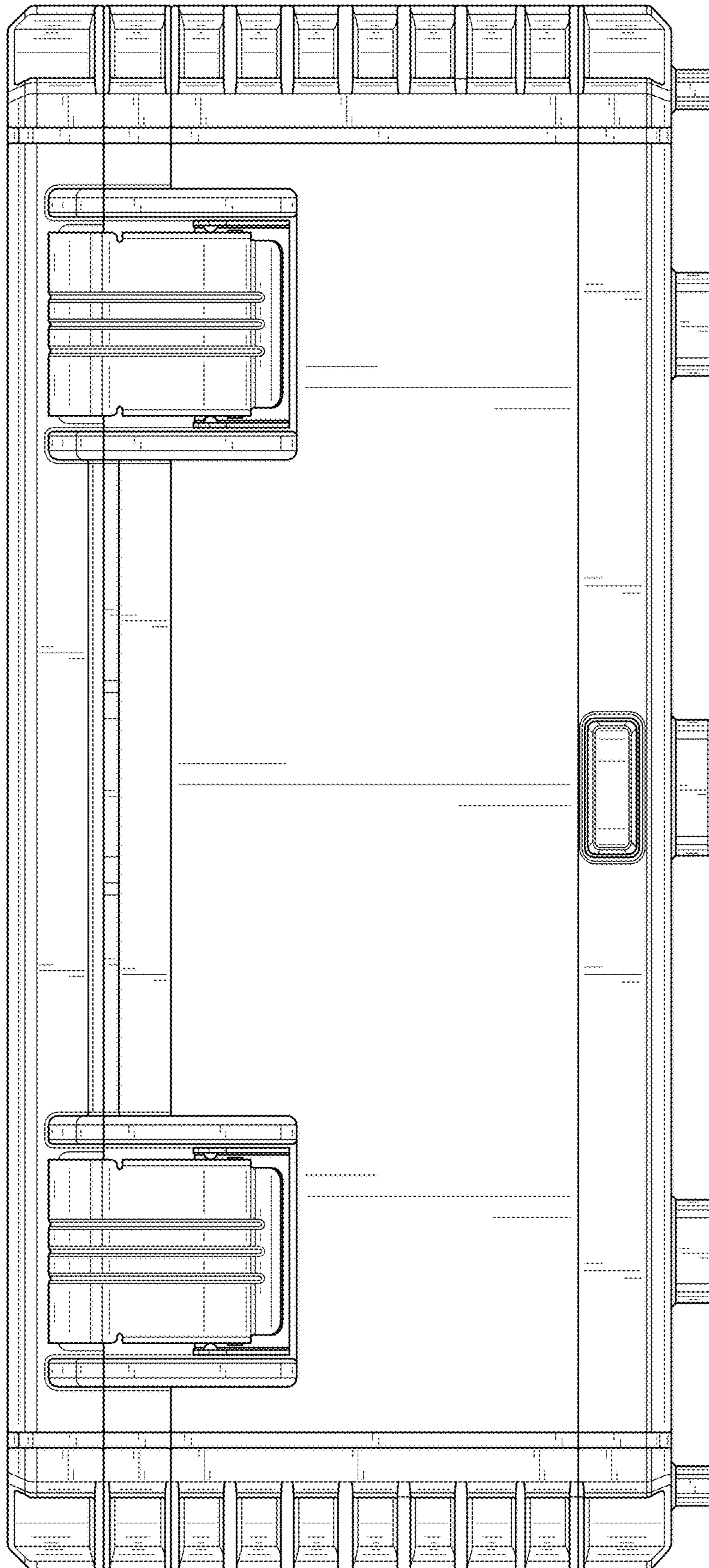


FIG. 3

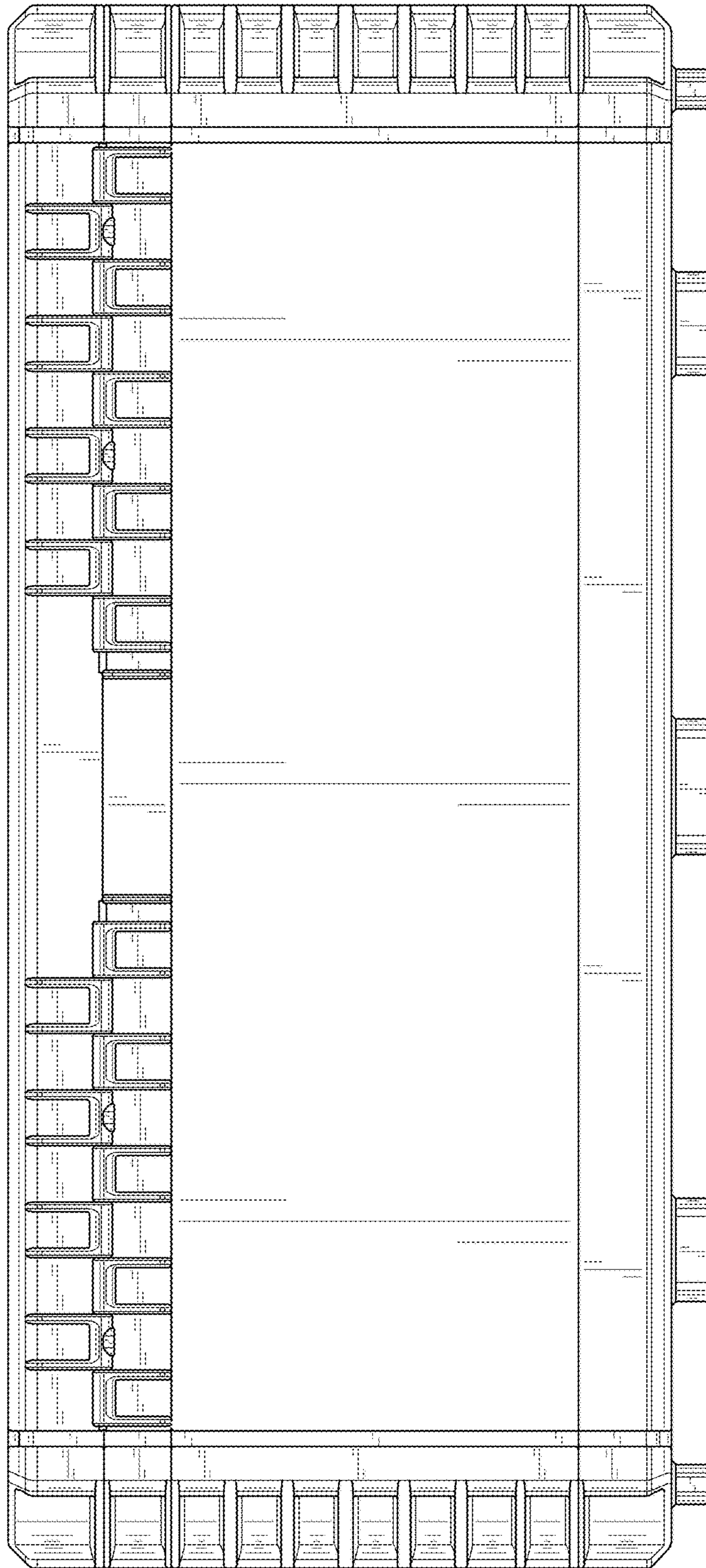


FIG. 4

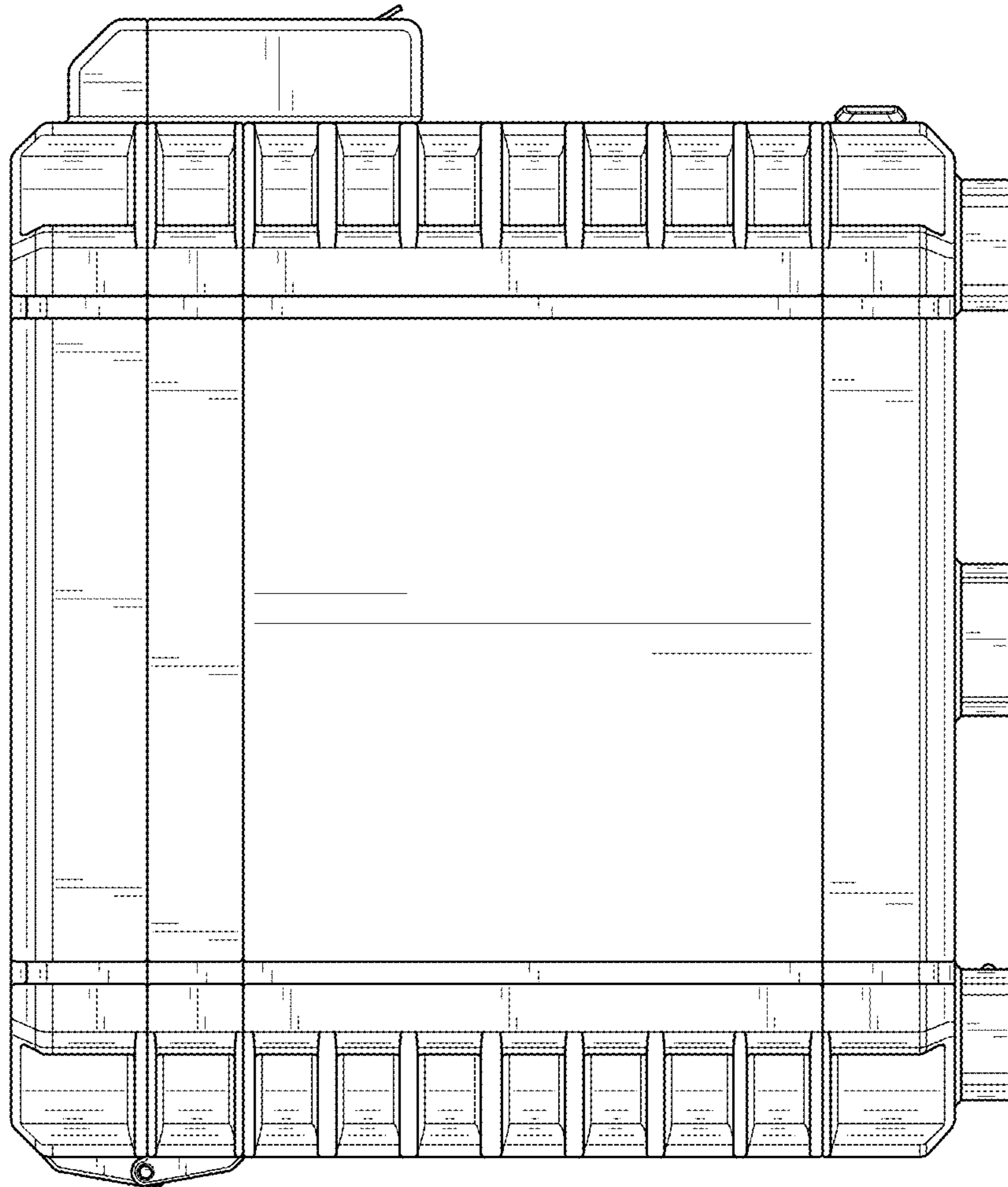


FIG. 5

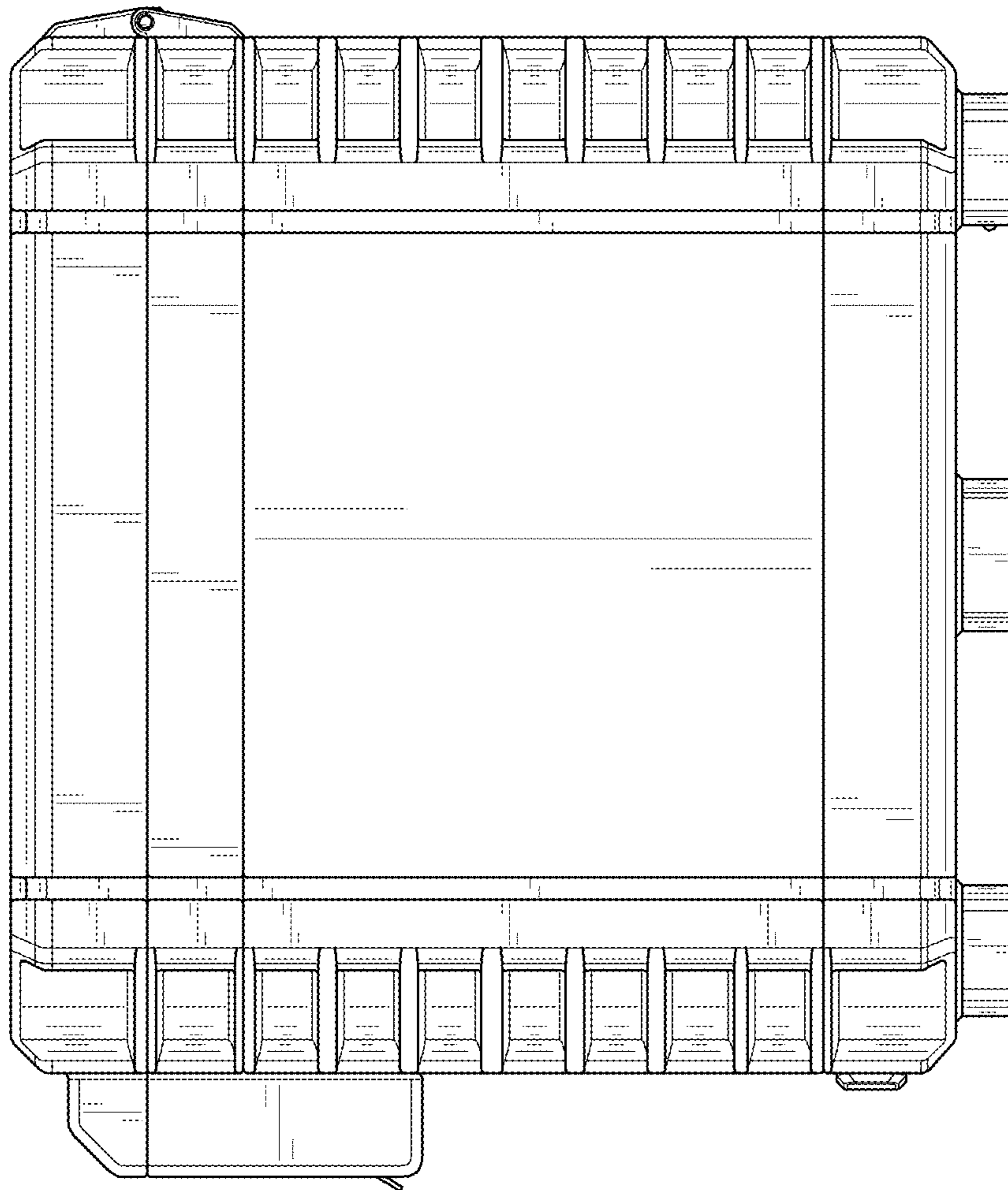


FIG. 6

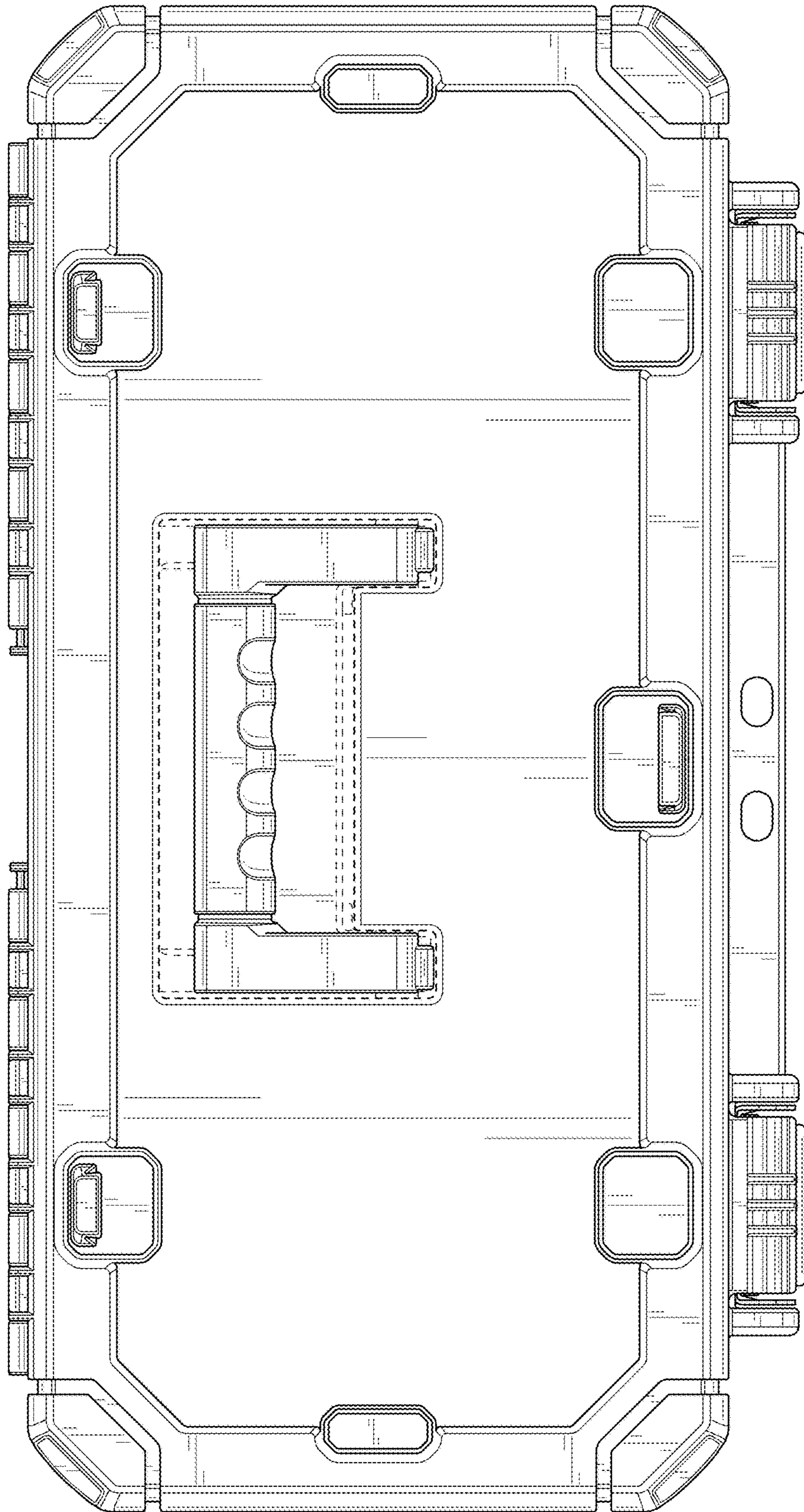


FIG. 7

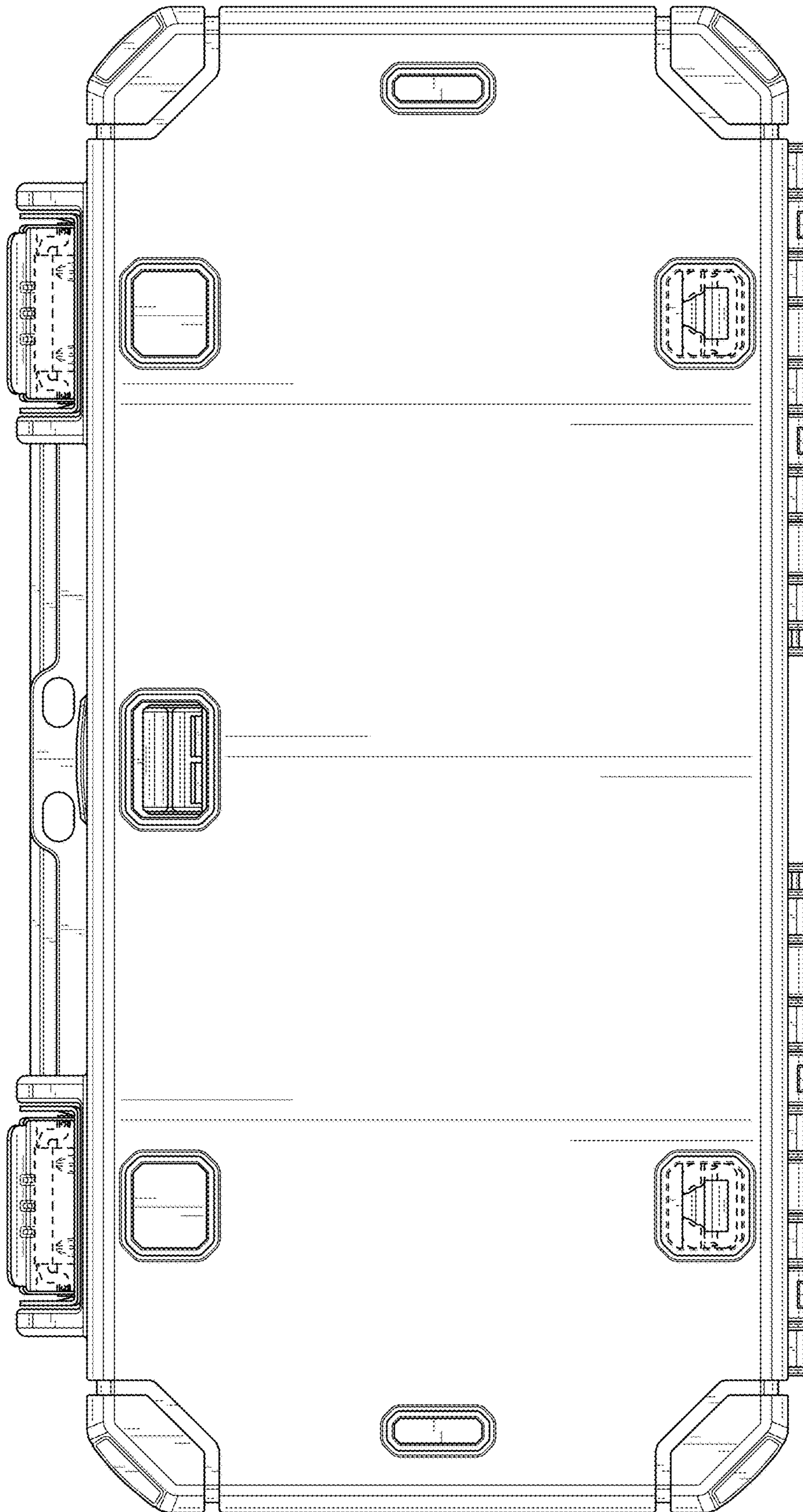


FIG. 8