



US00D857387S

(12) **United States Design Patent** (10) **Patent No.:** **US D857,387 S**  
**Shpitzer** (45) **Date of Patent:** **\*\* \*Aug. 27, 2019**

(54) **TOOLBOX**  
(71) Applicant: **The Stanley Works Israel Ltd.**, Rosh Ha' Ayin (IL)  
(72) Inventor: **Yaron Shpitzer**, Rishon Le'Tsiyon (IL)  
(73) Assignee: **The Stanley Works Israel Inc.**, Rosh Ha' Ayin (IL)

D744,750 S \* 12/2015 Sabbag ..... D3/281  
D753,394 S \* 4/2016 Brunner ..... D3/276  
D753,396 S \* 4/2016 Brunner ..... D3/281  
D811,084 S \* 2/2018 Ballou ..... D3/276  
D814,187 S \* 4/2018 Caglar ..... D3/276  
2011/0181008 A1\* 7/2011 Bensman ..... B25H 3/026  
280/47.26  
2014/0102928 A1\* 4/2014 Sabbag ..... B25H 3/028  
206/372

(\* ) Notice: This patent is subject to a terminal disclaimer.  
(\*\* ) Term: **15 Years**

(21) Appl. No.: **29/624,480**

(22) Filed: **Nov. 1, 2017**

(51) **LOC (12) Cl.** ..... **03-01**

(52) **U.S. Cl.**  
USPC ..... **D3/281; D3/291; D3/905**

(58) **Field of Classification Search**  
USPC ..... D3/203.2, 203.3, 203.6, 273, 279, 276,  
D3/284, 294, 302, 905, 274, 281, 282,  
D3/283, 295, 291  
CPC ..... B25H 3/00; B25H 3/003; B25H 3/006;  
B25H 3/02-028; A45C 5/00; A45C 13/29  
See application file for complete search history.

(56) **References Cited**

**U.S. PATENT DOCUMENTS**

D471,710 S \* 3/2003 Rushworth ..... D3/276  
D640,056 S \* 6/2011 Twig ..... D3/281  
D649,350 S \* 11/2011 Shitrit ..... D3/281  
D668,048 S \* 10/2012 Vilkomirski ..... D3/281  
D703,436 S \* 4/2014 Sabbag ..... D3/281  
D709,697 S \* 7/2014 Brunner ..... D3/281  
D738,105 S \* 9/2015 Shitrit ..... D3/276  
D742,640 S \* 11/2015 Sabbag ..... D3/281

**OTHER PUBLICATIONS**

Home Depot, "Ridgid 22 in. Pro Tool Box, Black", First reviewed Sep. 13, 2014. (<https://www.homedepot.com/p/RIDGID-22-in-Pro-Tool-Box-Black-222570/205440481>) (Year: 2014).\*

\* cited by examiner

*Primary Examiner* — Jennifer Rivard

*Assistant Examiner* — April Rivas

(74) *Attorney, Agent, or Firm* — Bruce S. Shapiro

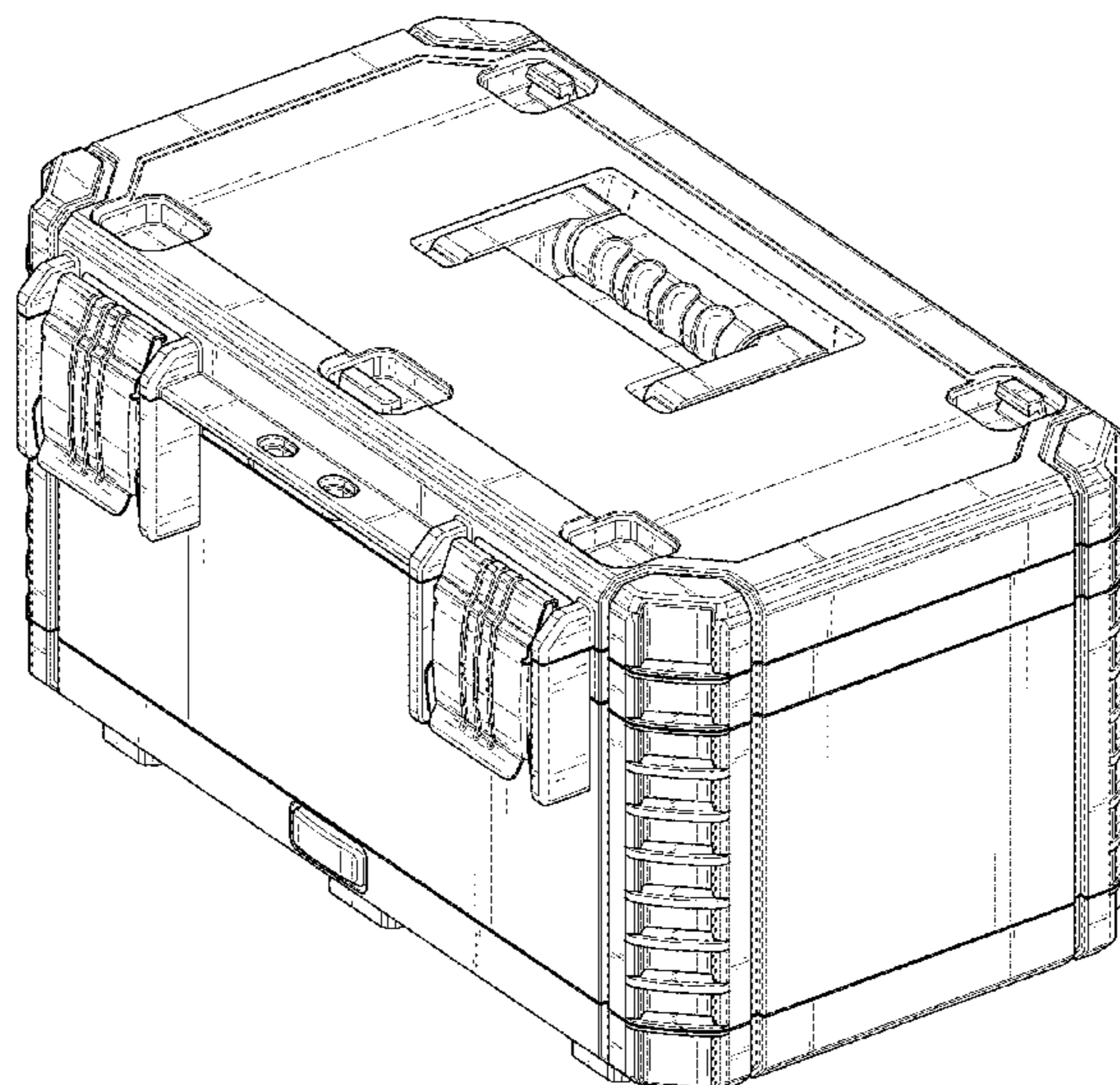
(57) **CLAIM**

The ornamental design for a toolbox, as shown and described.

**DESCRIPTION**

FIG. 1 is a perspective view of the top side of my new design.  
FIG. 2 is a perspective view of the bottom side thereof.  
FIG. 3 is a front side elevational view thereof.  
FIG. 4 is a back side elevational view thereof.  
FIG. 5 is a right side elevational view thereof.  
FIG. 6 is a left side elevational view thereof.  
FIG. 7 is a top plan view thereof; and,  
FIG. 8 is a bottom plan view thereof.  
The broken lines illustrate portions of the toolbox and form no part of the claimed design.

**1 Claim, 8 Drawing Sheets**



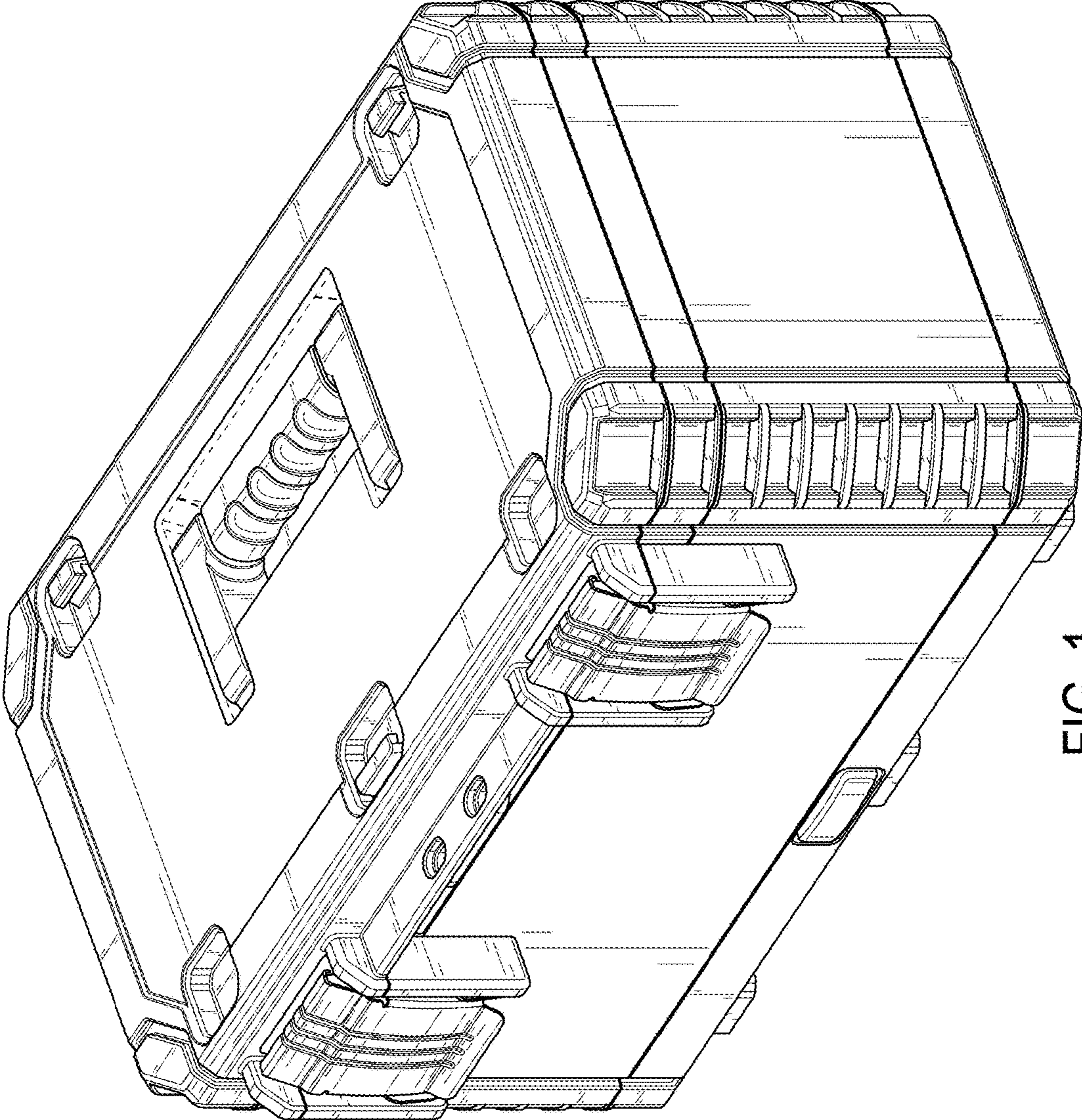


FIG. 1

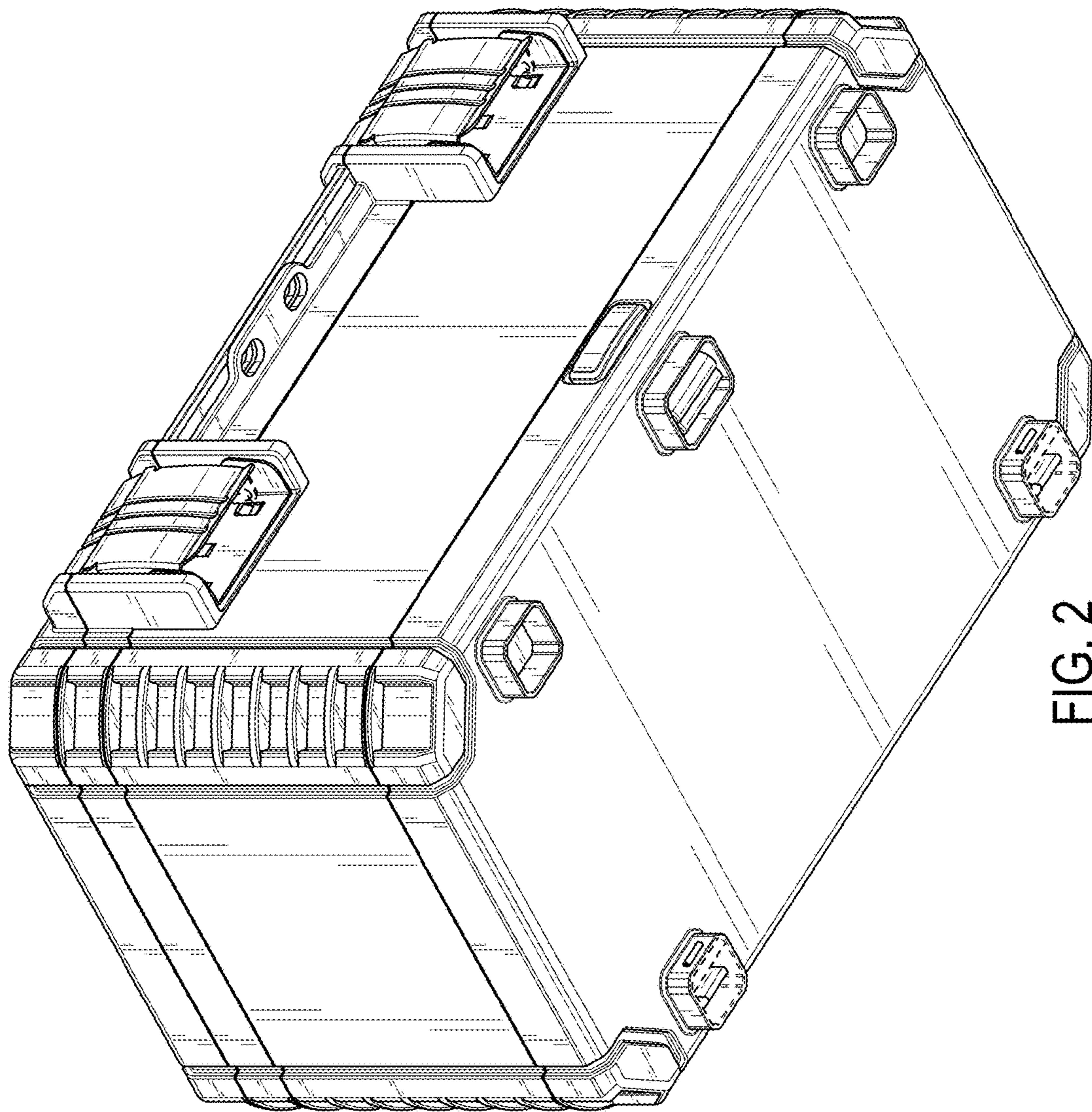


FIG. 2

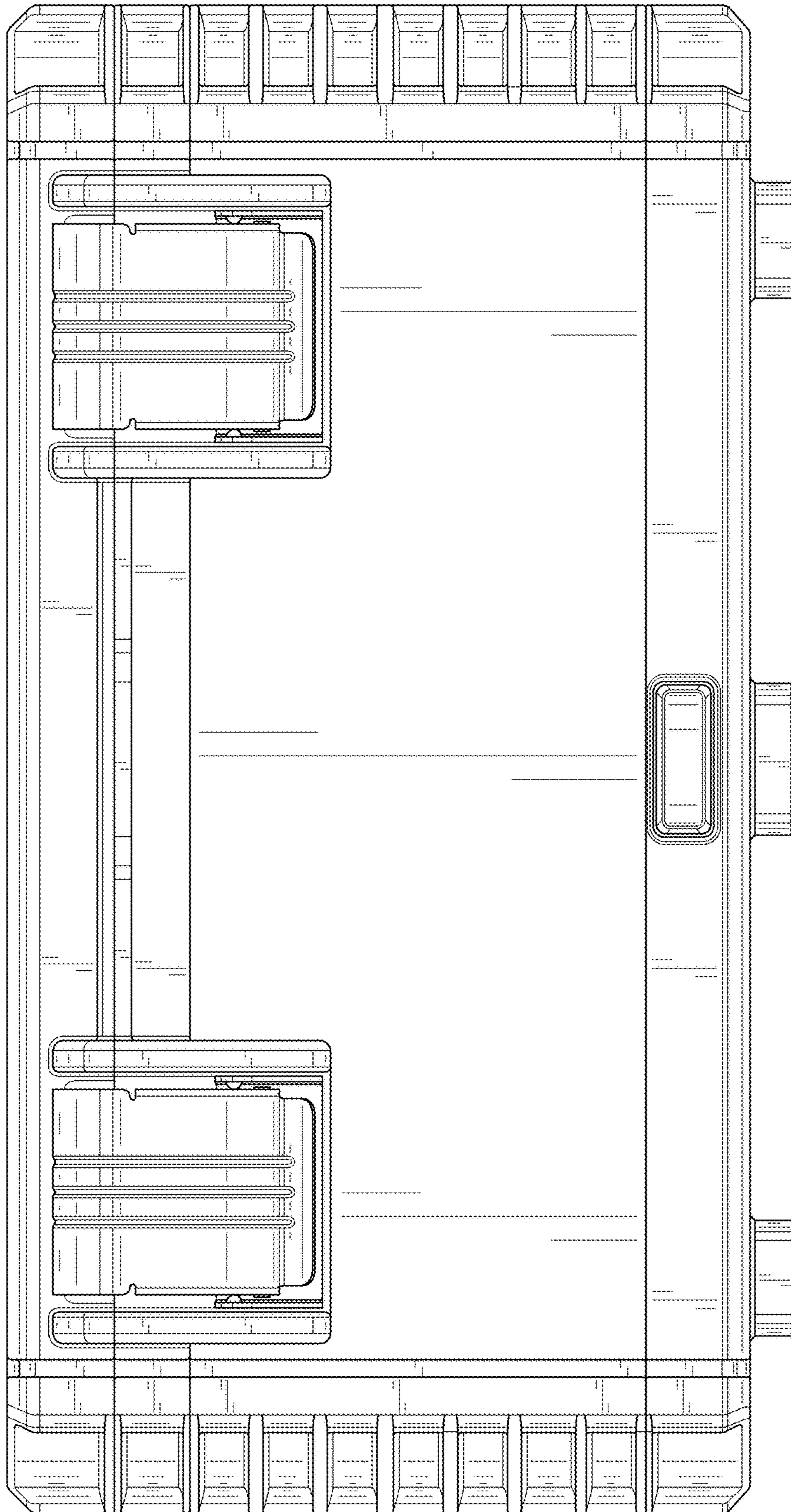


FIG. 3



FIG. 4

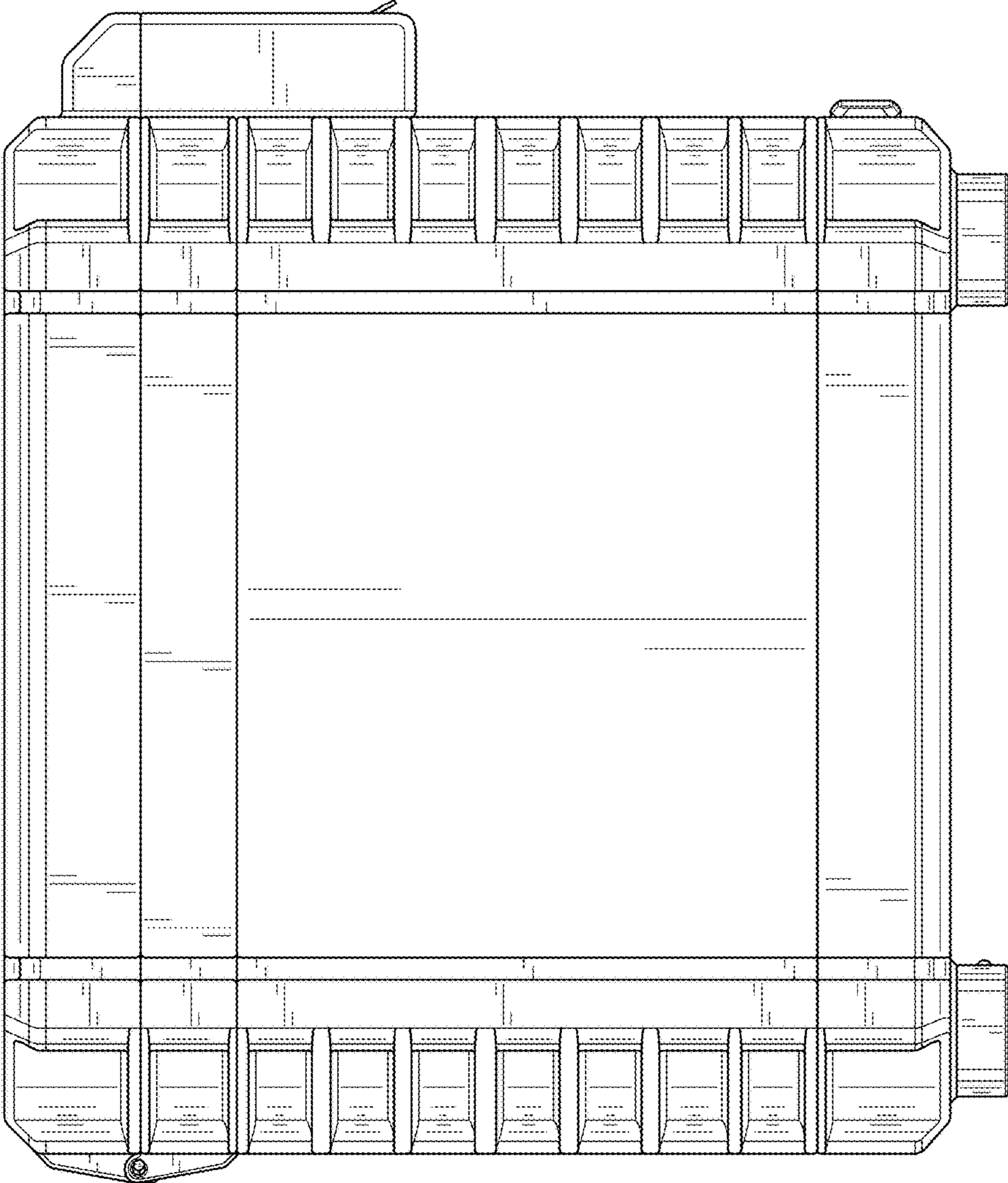


FIG. 5

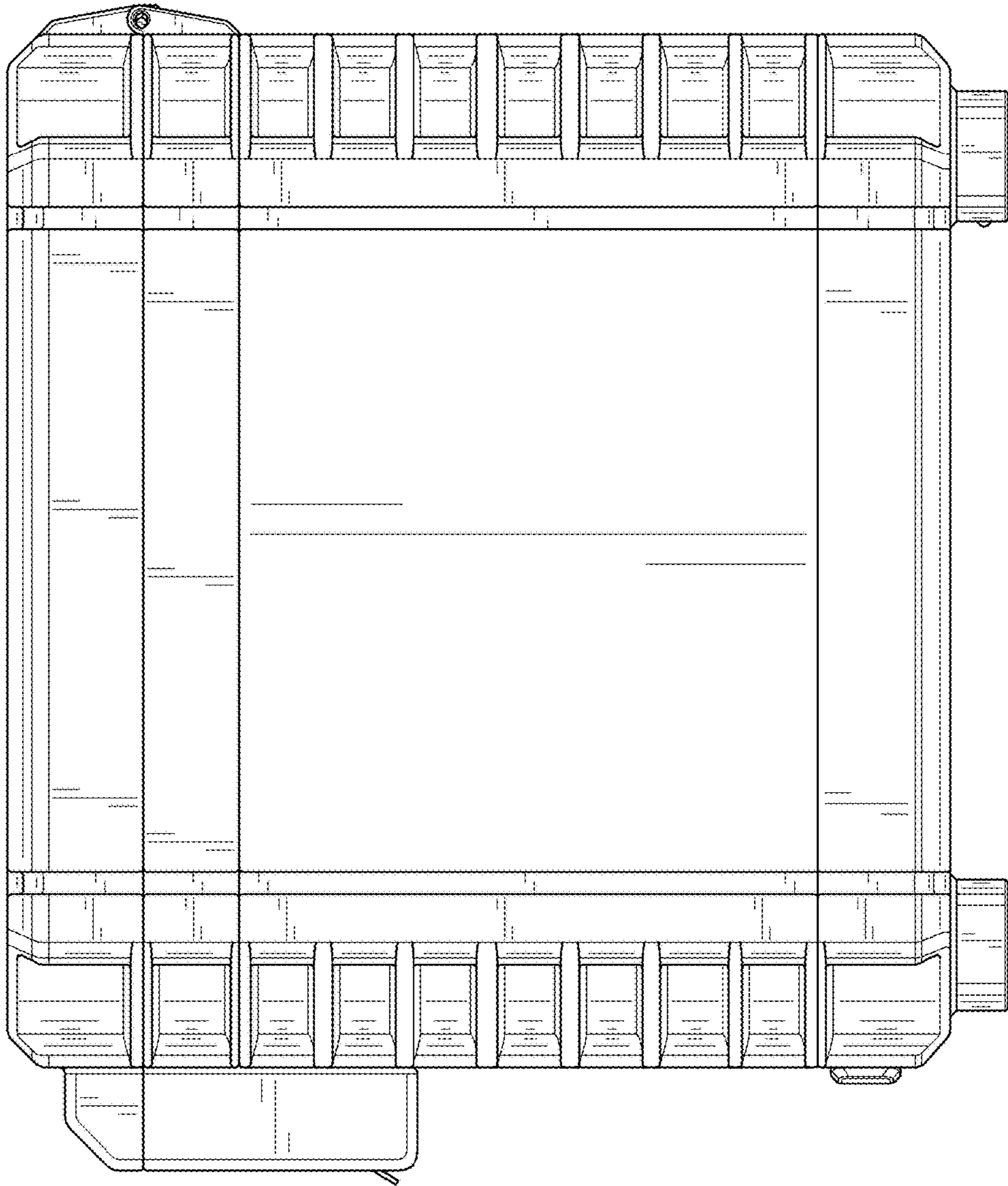


FIG. 6

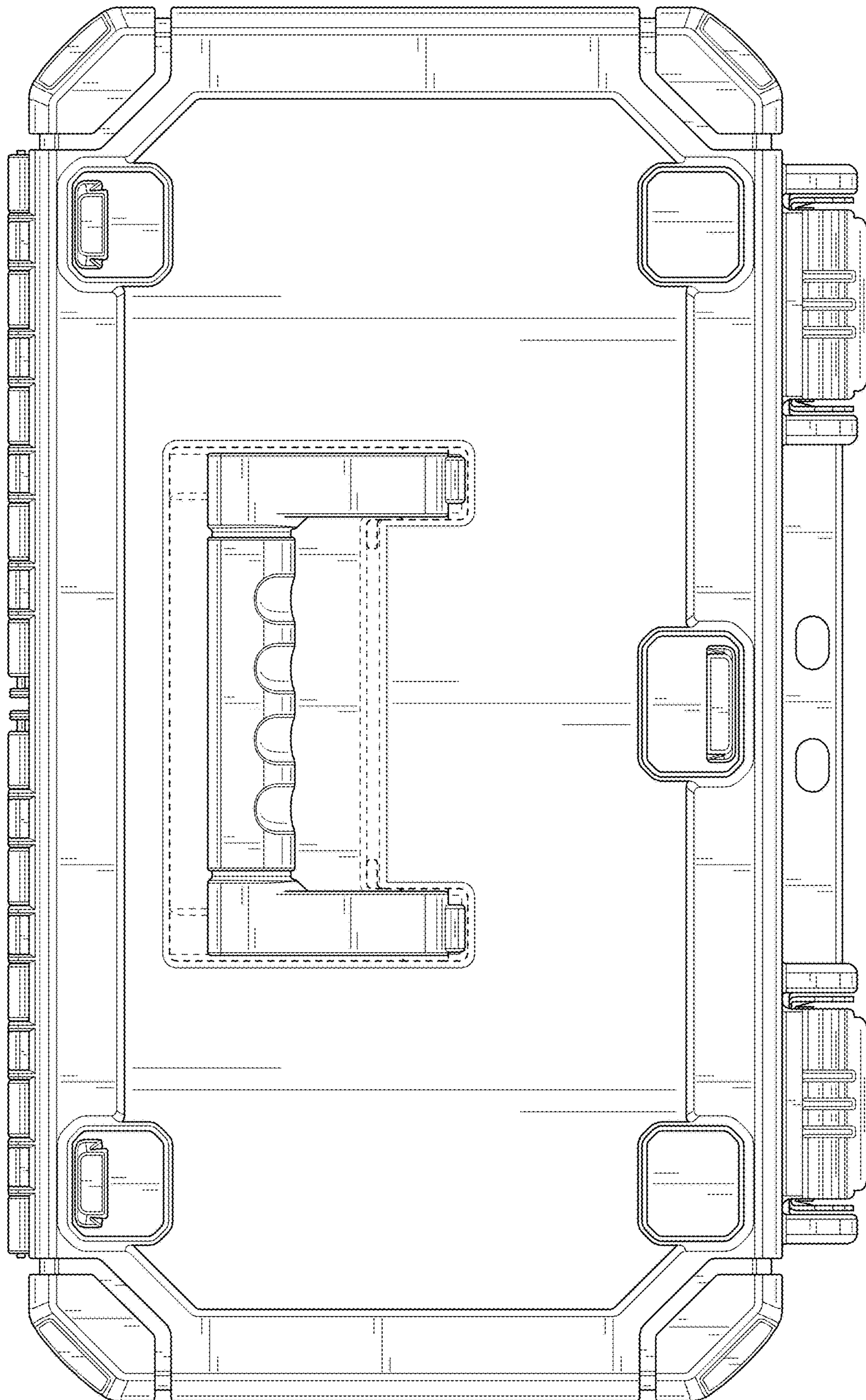


FIG. 7



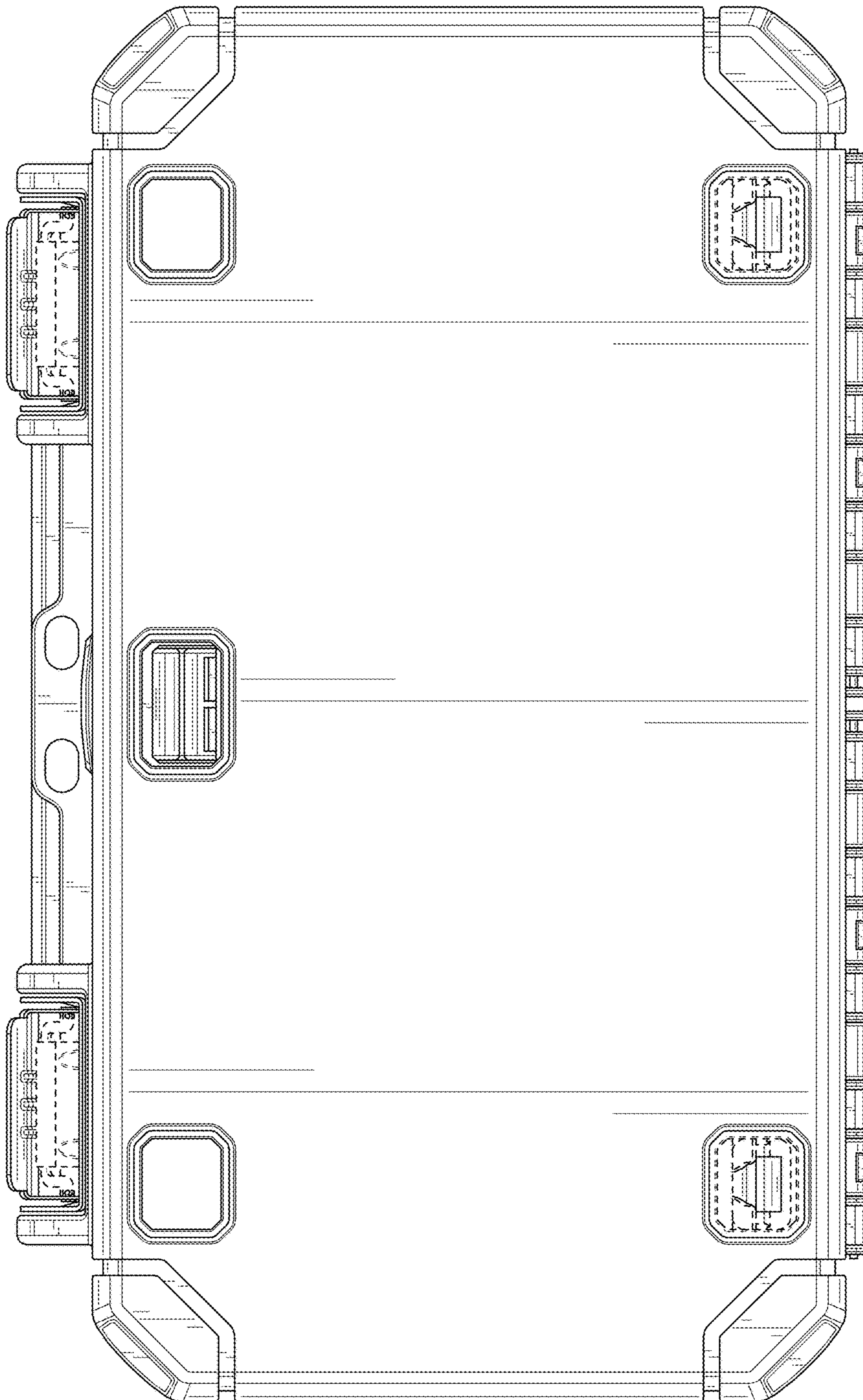


FIG. 8