



US00D857386S

(12) **United States Design Patent** (10) **Patent No.:** **US D857,386 S**  
**Shpitzer** (45) **Date of Patent:** **\*\* \*Aug. 27, 2019**

- (54) **TOOLBOX ON WHEELS**
- (71) Applicant: **The Stanley Works Israel Ltd.**, Rosh Ha' Ayin (IL)
- (72) Inventor: **Yaron Shpitzer**, Rishon Le'Tsiyon (IL)
- (73) Assignee: **The Stanley Works Israel Inc.**, Rosh Ha' Ayin (IL)
- (\*) Notice: This patent is subject to a terminal disclaimer.
- (\*\*) Term: **15 Years**
- (21) Appl. No.: **29/624,478**
- (22) Filed: **Nov. 1, 2017**
- (51) **LOC (12) Cl.** ..... **03-01**
- (52) **U.S. Cl.**  
USPC ..... **D3/279; D3/282; D3/905**
- (58) **Field of Classification Search**  
USPC ..... **D3/203.2, 203.3, 203.6, 273, 279, 276, D3/284, 294, 302, 905, 274, 281, 282, D3/283, 295**  
CPC ..... **B25H 3/00; B25H 3/003; B25H 3/006; B25H 3/02-028; A45C 5/00; A45C 13/29**  
See application file for complete search history.

- 2007/0194543 A1\* 8/2007 Duvigneau ..... A45C 5/14 280/47.26
- 2009/0288970 A1\* 11/2009 Katz ..... B25H 3/00 206/349
- 2017/0158216 A1\* 6/2017 Yahav ..... B62B 5/065
- 2017/0320209 A1\* 11/2017 Bozzano ..... B25H 1/04

**OTHER PUBLICATIONS**

Home depot, "Milwaukee PACKOUT 22 in. Rolling Tool Box", First reviewed Oct. 12, 2017. (<https://www.homedepot.com/p/Milwaukee-PACKOUT-22-in-Rolling-Tool-Box-48-22-8426/303005865>) (Year: 2017).\*

Home Depot, "DEWALT ToughSystem DS450 22 in. 17 Gal. Mobile Tool Box", First reviewed Jul. 2, 2013. (<https://www.homedepot.com/p/DEWALT-ToughSystem-DS450-22-in-17-Gal-Mobile-Tool-Box-DWST08250/207204993>) (Year: 2013).\*

\* cited by examiner

*Primary Examiner* — Jennifer Rivard  
*Assistant Examiner* — April Rivas  
 (74) *Attorney, Agent, or Firm* — Bruce S. Shapiro

(57) **CLAIM**

The ornamental design for a toolbox on wheels, as shown and described.

**DESCRIPTION**

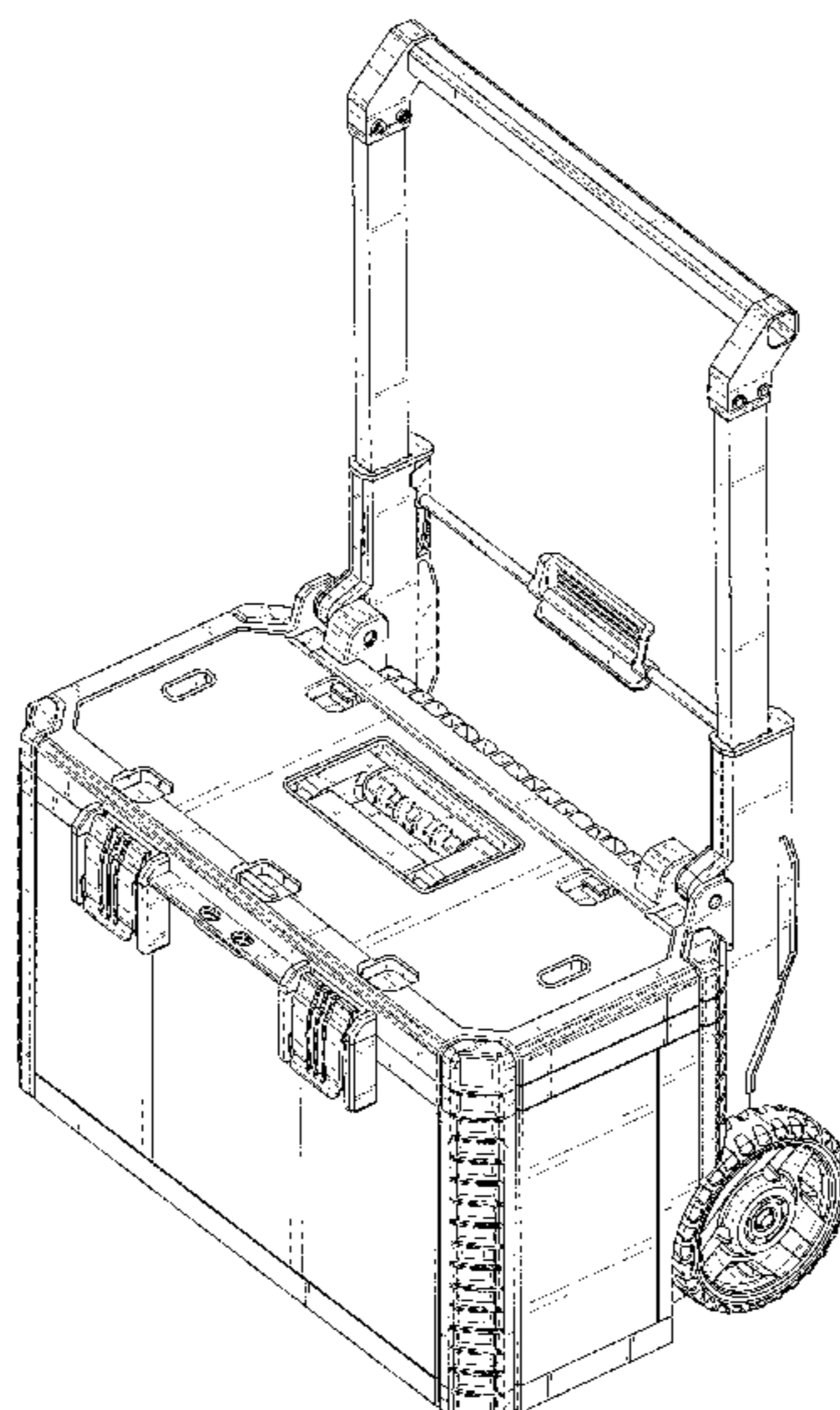
FIG. 1 is a perspective view of the top side of my new design.  
 FIG. 2 is a perspective view of the bottom side thereof.  
 FIG. 3 is a front side elevational view thereof.  
 FIG. 4 is a back side elevational view thereof.  
 FIG. 5 is a right side elevational view thereof.  
 FIG. 6 is a left side elevational view thereof.  
 FIG. 7 is a top plan view thereof; and,  
 FIG. 8 is a bottom plan view thereof.  
 The broken lines illustrate portions of the toolbox on wheels and form no part of the claimed design.

**1 Claim, 8 Drawing Sheets**

(56) **References Cited**

**U.S. PATENT DOCUMENTS**

- D462,168 S \* 9/2002 Klemmensen ..... D3/276
- 6,601,930 B2 \* 8/2003 Tiramani ..... B25H 3/00 190/18 A
- D653,832 S \* 2/2012 Vilkomirski ..... D34/25
- D710,100 S \* 8/2014 Brunner ..... D3/279
- D753,395 S \* 4/2016 Brunner ..... D3/279
- D765,973 S \* 9/2016 Tonelli ..... D3/279
- D765,974 S \* 9/2016 Tonelli ..... D3/279
- D808,164 S \* 1/2018 Summers ..... D3/279
- 9,872,547 B2 \* 1/2018 Naiva ..... A45C 13/262



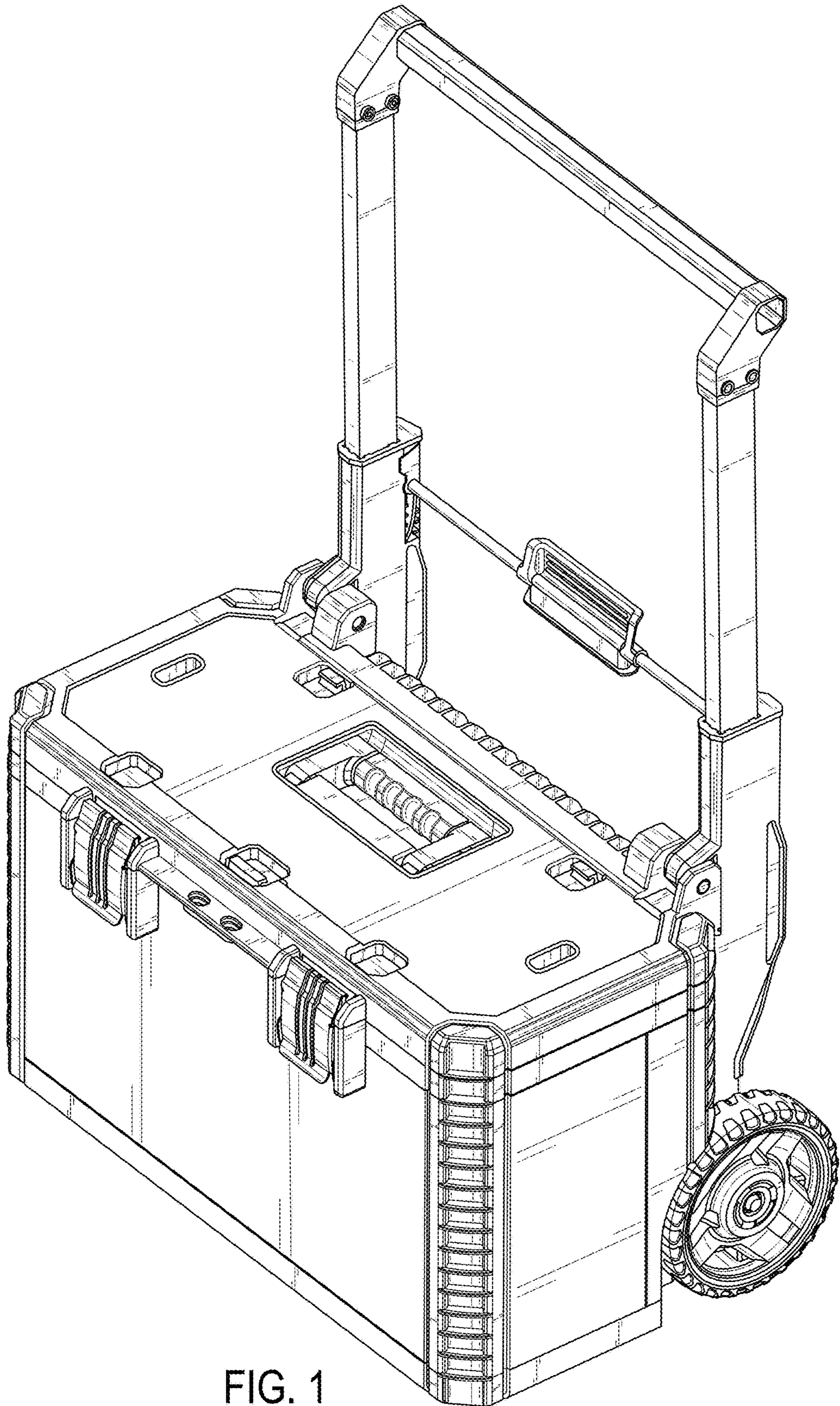


FIG. 1

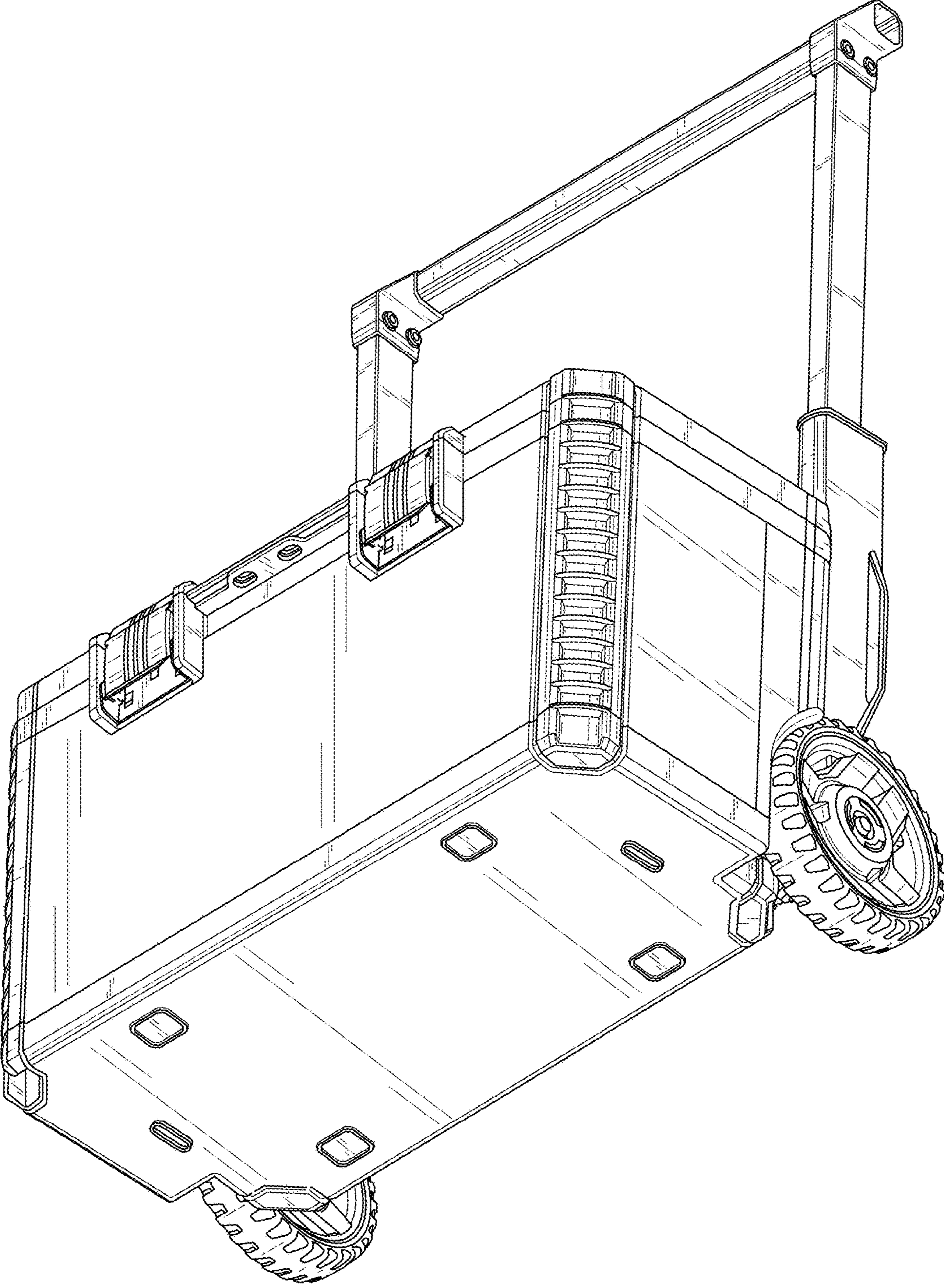


FIG. 2

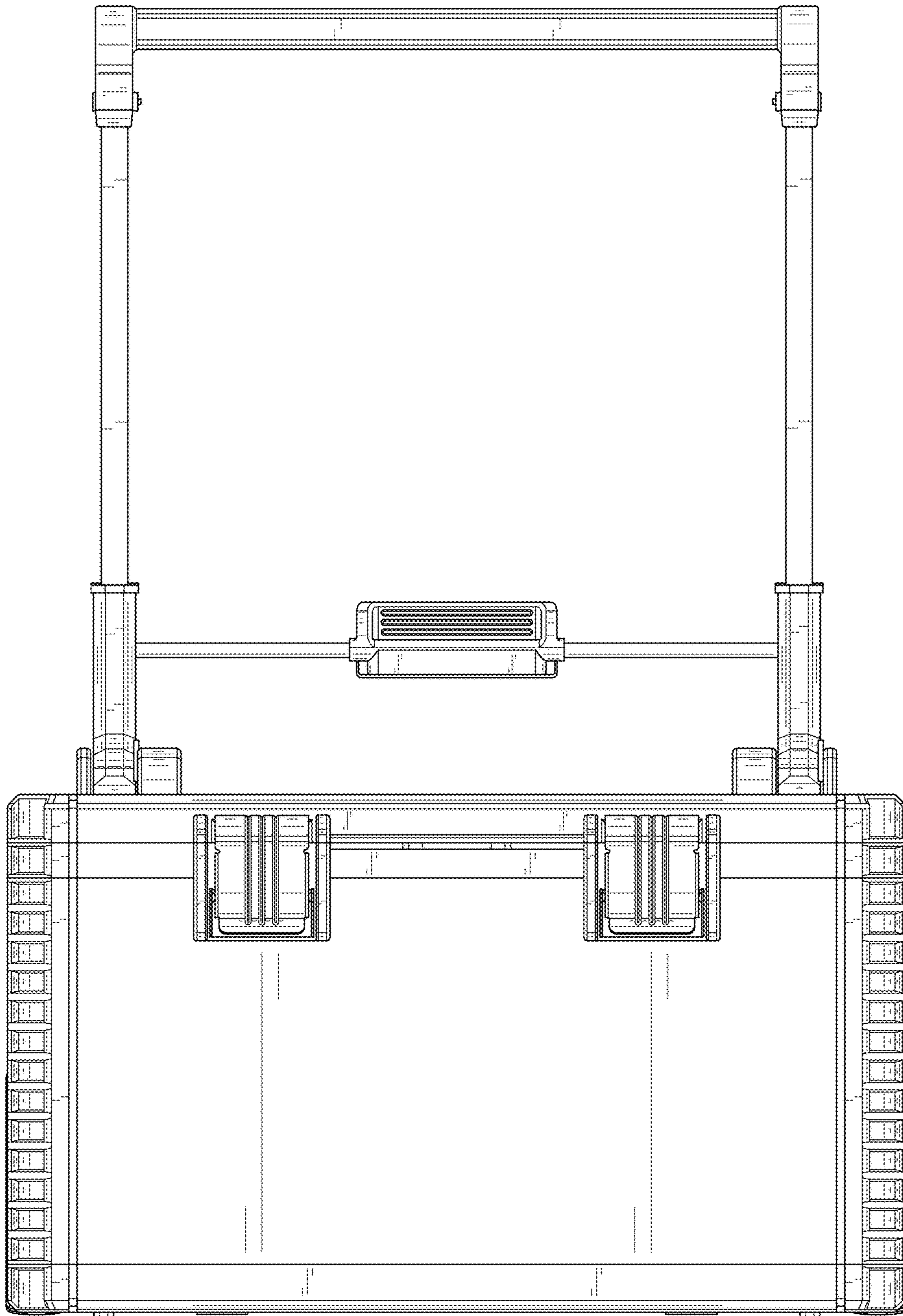


FIG. 3

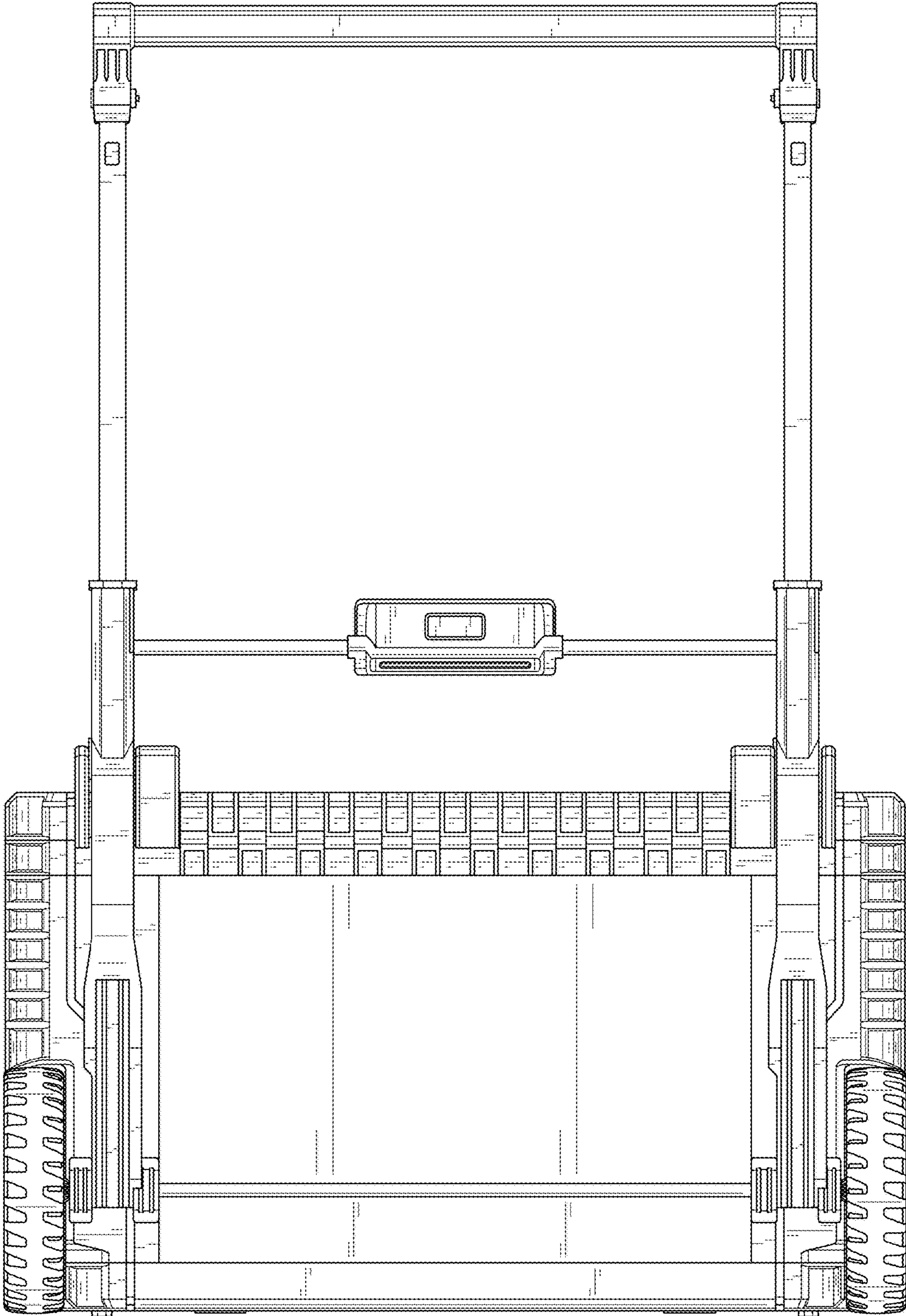


FIG. 4

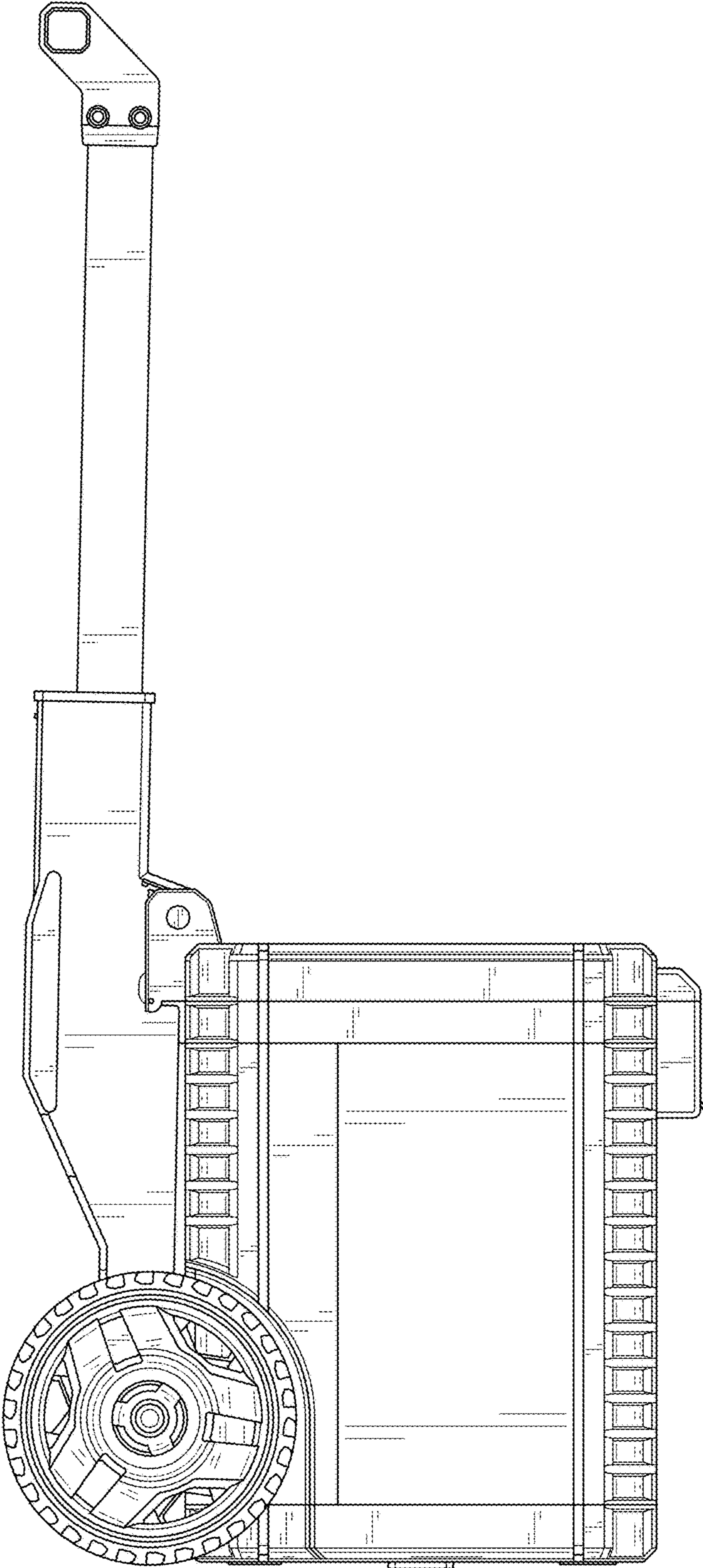


FIG. 5

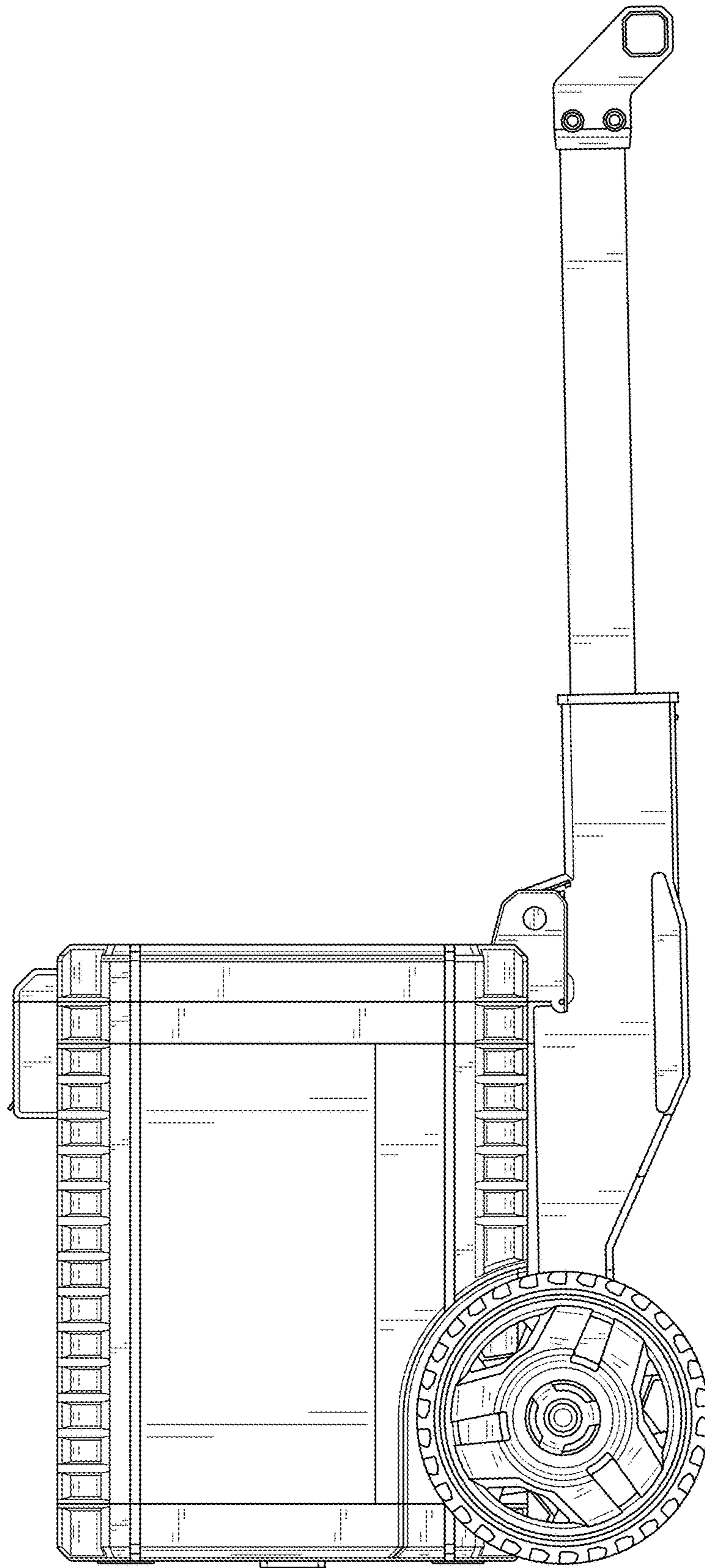


FIG. 6

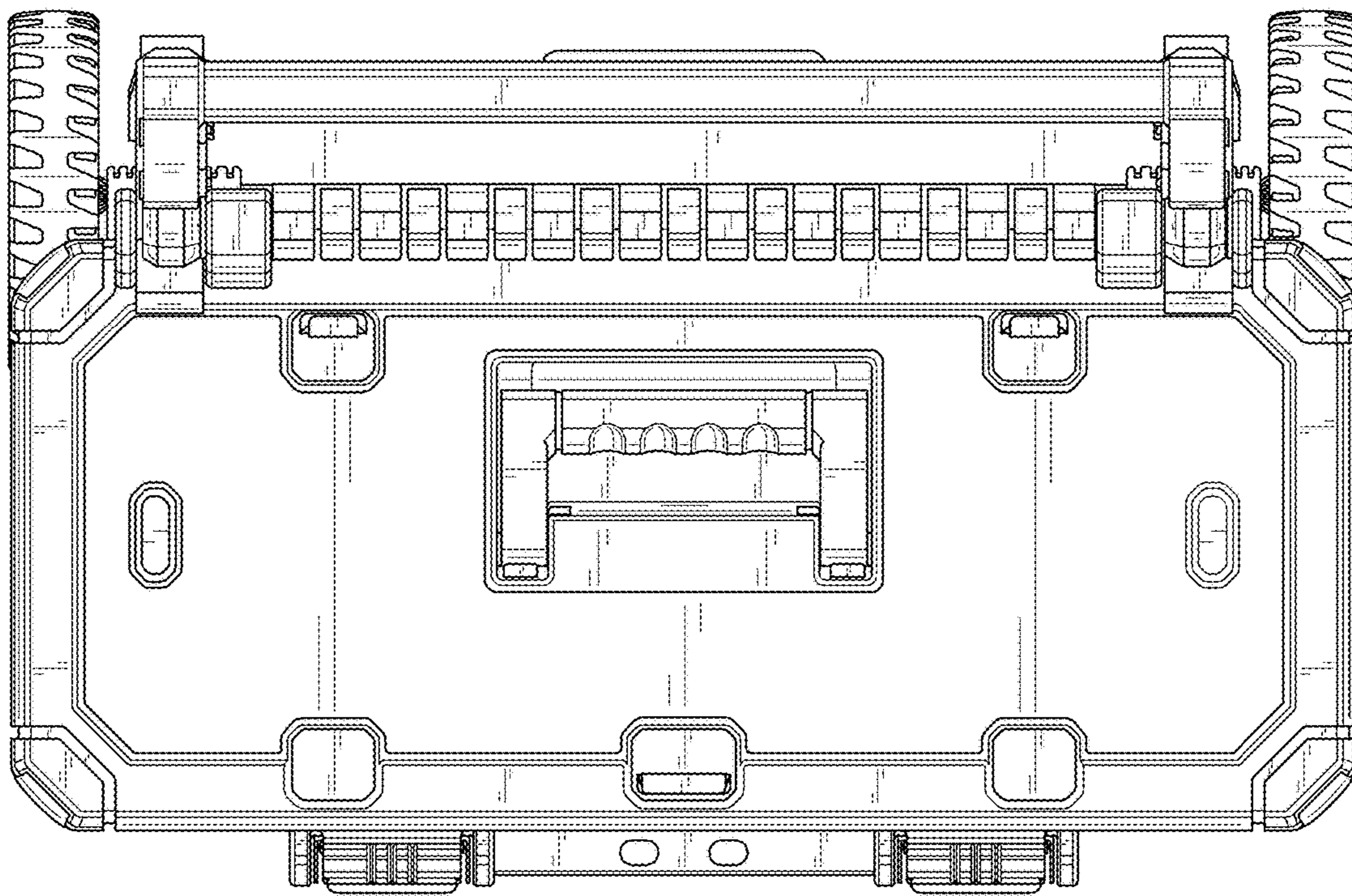


FIG. 7



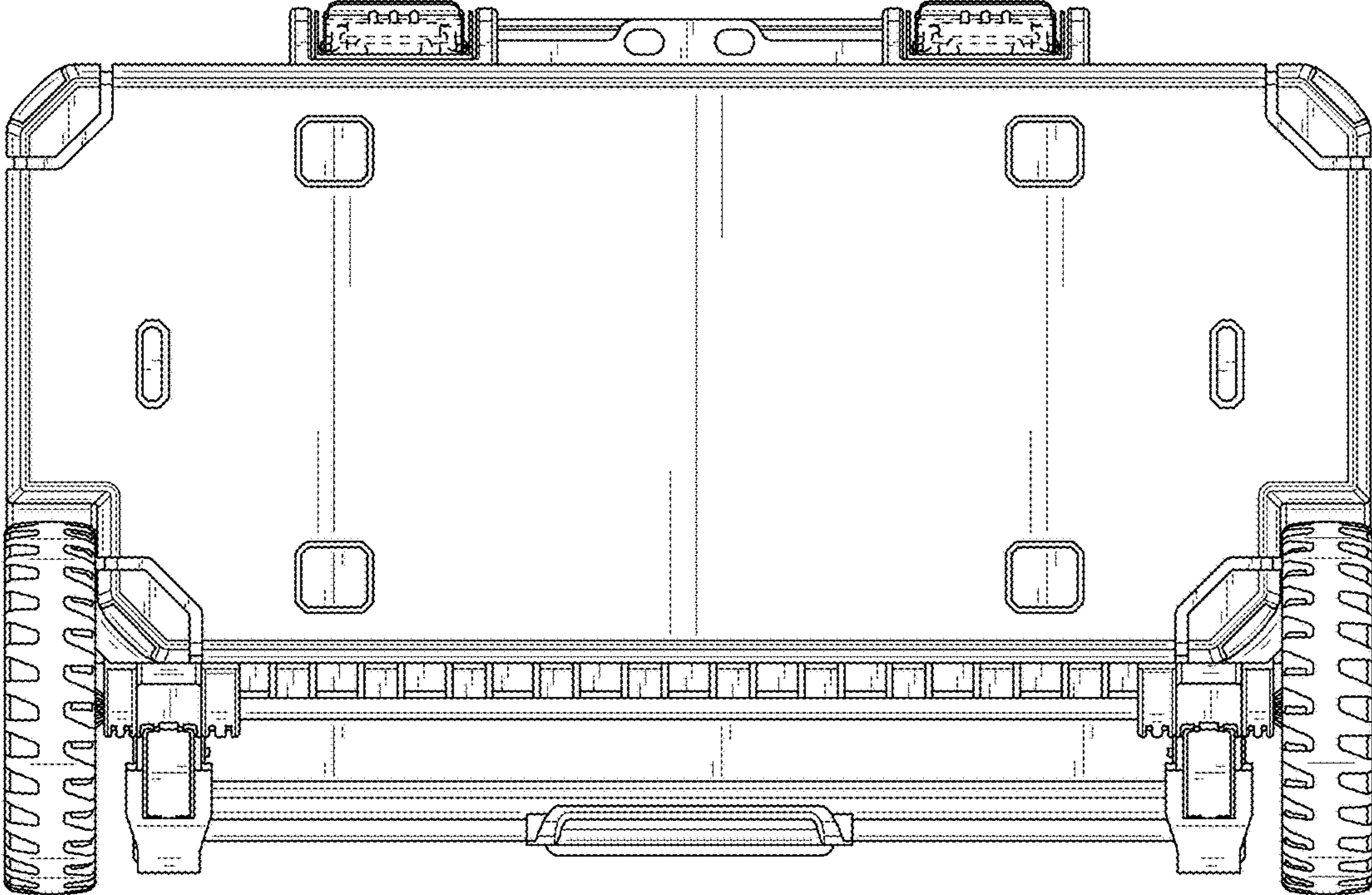


FIG. 8