



US00D857383S

(12) **United States Design Patent** (10) **Patent No.:** **US D857,383 S**
Louboutin (45) **Date of Patent:** **** Aug. 27, 2019**

(54) **HANDBAG**

D818,703 S * 5/2018 Guyon D3/232
D818,706 S * 5/2018 Maier D3/232

(71) Applicant: **Christian Louboutin**, Paris (FR)

* cited by examiner

(72) Inventor: **Christian Louboutin**, Paris (FR)

Primary Examiner — Holly H Baynham

(**) Term: **15 Years**

(74) *Attorney, Agent, or Firm* — Fross Zelnick Lehrman & Zissu, P.C.; Charles T. J. Weigell, Esq.

(21) Appl. No.: **29/640,591**

(22) Filed: **Mar. 15, 2018**

(57) **CLAIM**

(30) **Foreign Application Priority Data**

The ornamental design for a handbag, as shown and described.

Sep. 22, 2017 (EM) 004367704

(51) **LOC (12) Cl.** **03-01**

(52) **U.S. Cl.**
USPC **D3/243**

(58) **Field of Classification Search**
USPC D3/232–233, 240–243, 245–246
CPC A45C 1/024; A45C 3/06
See application file for complete search history.

DESCRIPTION

(56) **References Cited**

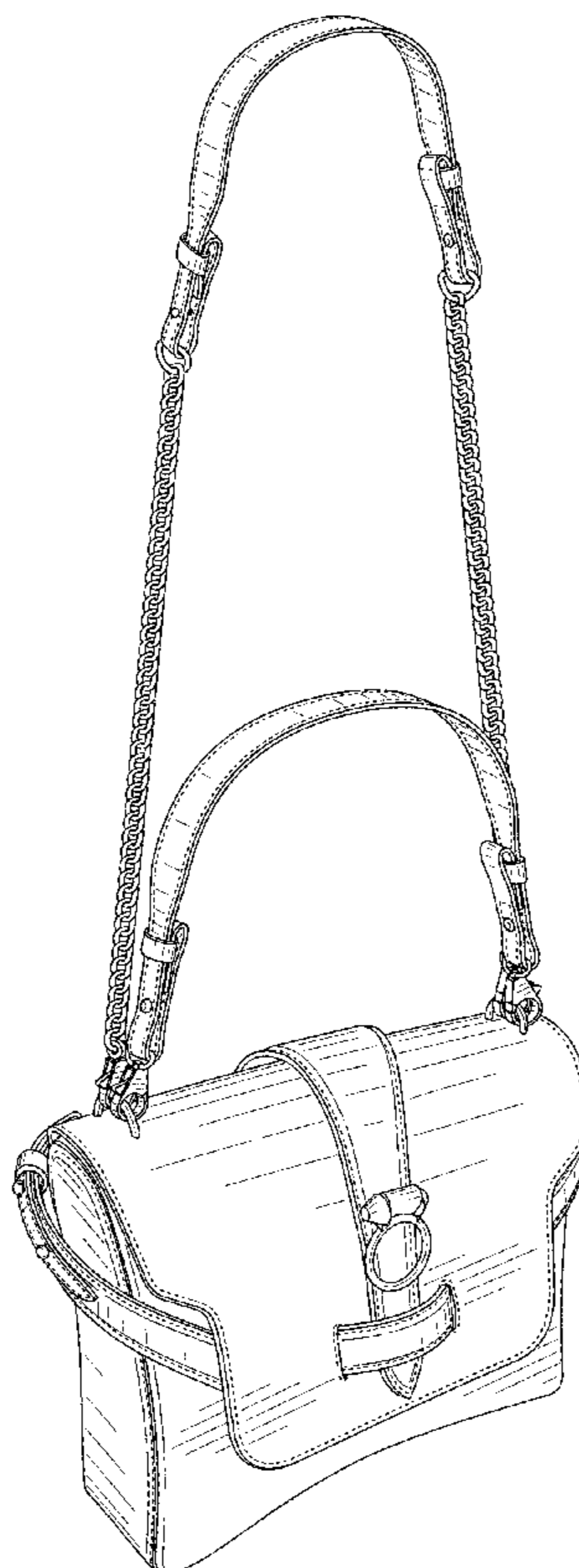
FIG. 1 is a front perspective view of a handbag, showing my new design;
FIG. 2 is a front view thereof;
FIG. 3 is a back view thereof;
FIG. 4 is a left side view thereof;
FIG. 5 is a right side view thereof;
FIG. 6 is a top view thereof; and,
FIG. 7 is a bottom view thereof.

U.S. PATENT DOCUMENTS

D662,318 S * 6/2012 Guichot D3/243
D686,820 S * 7/2013 Song D3/243

The broken lines representing stitching are part of the claimed design.

1 Claim, 5 Drawing Sheets



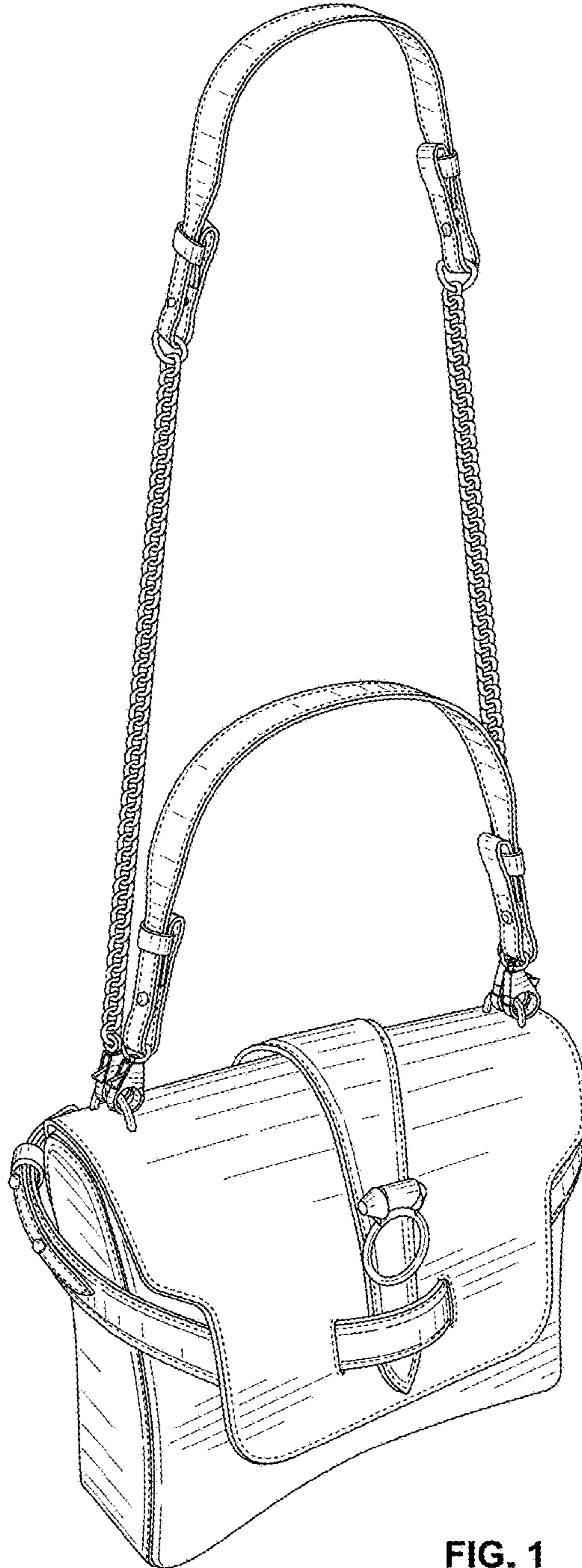


FIG. 1

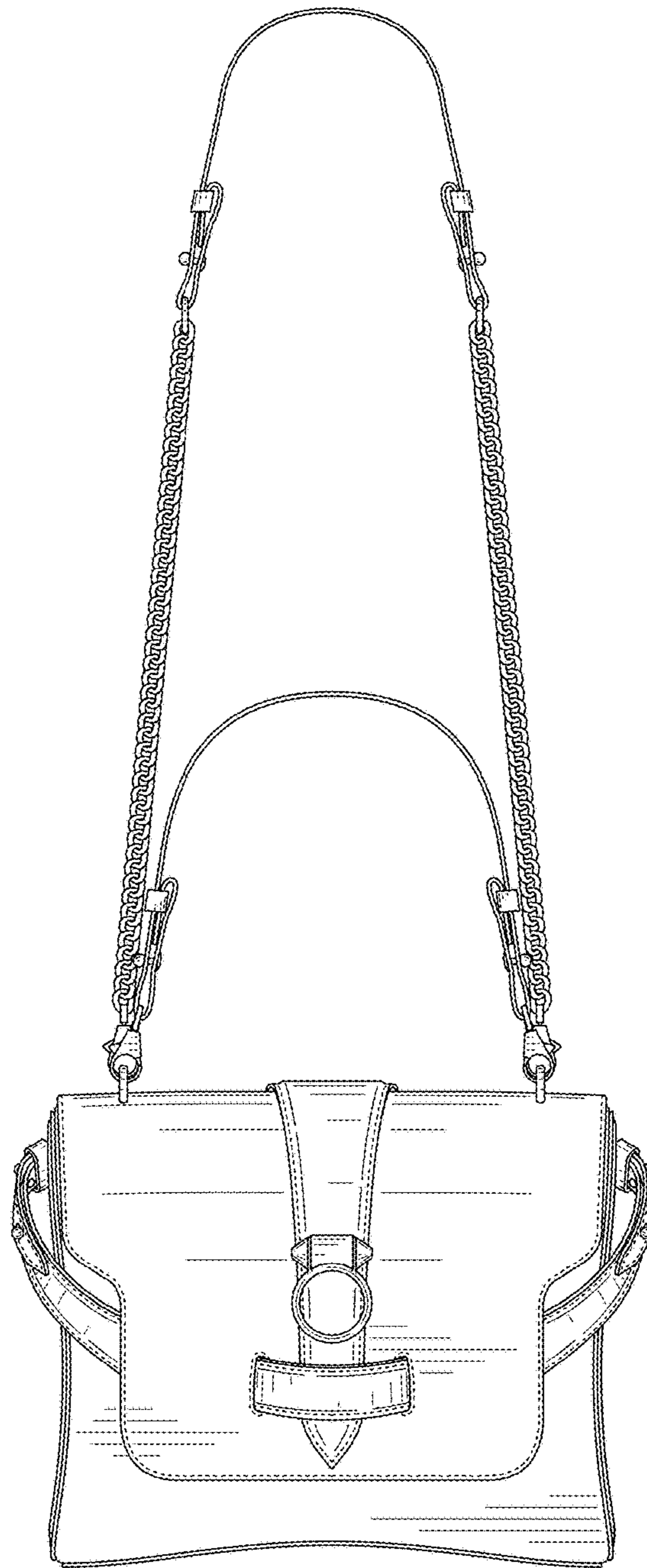


FIG. 2

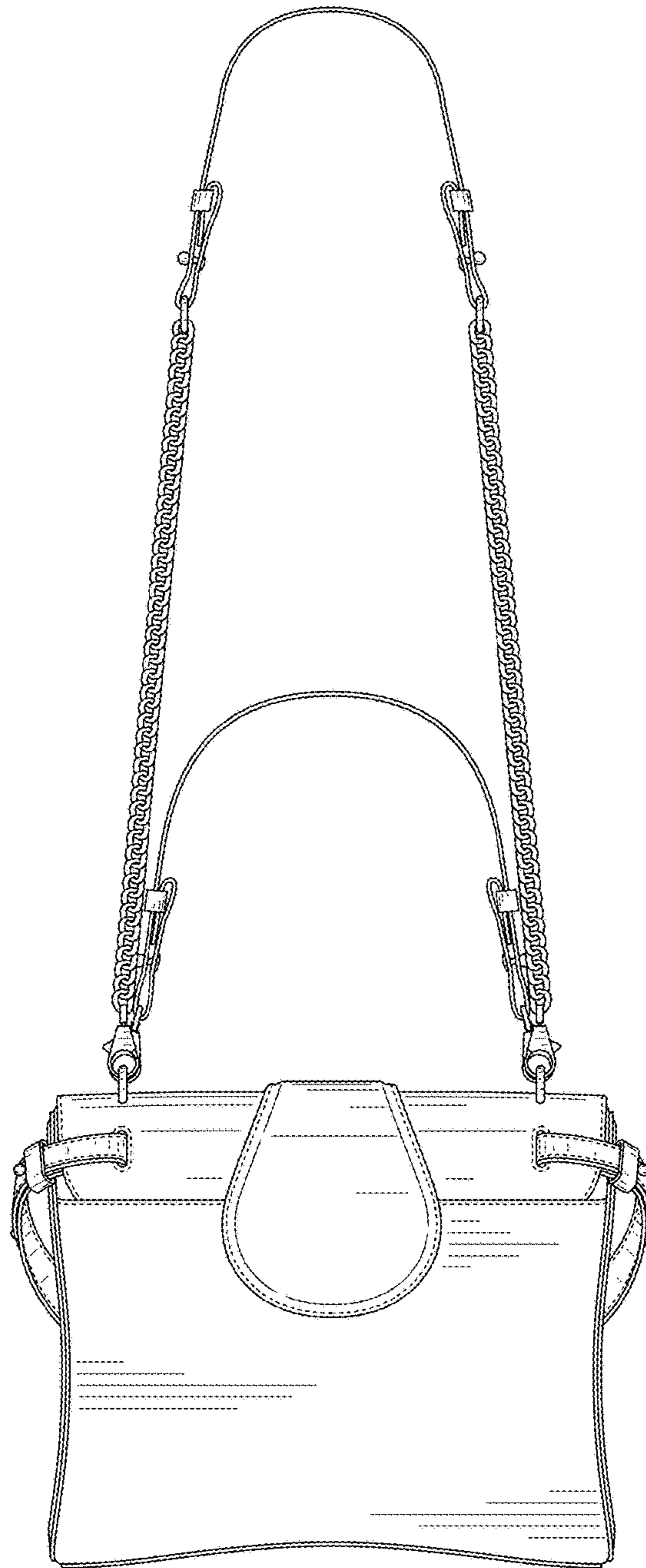


FIG. 3

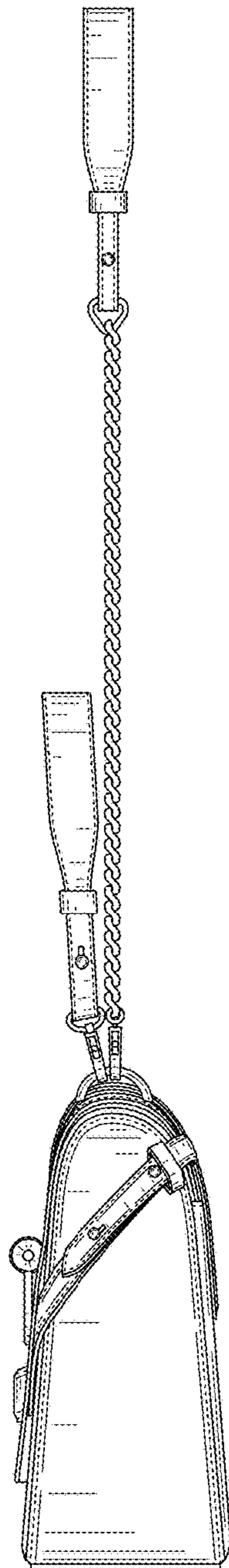


FIG. 4

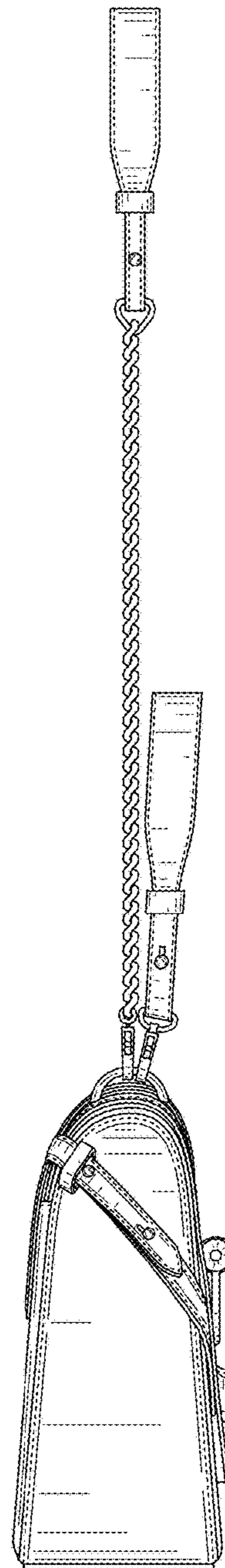


FIG. 5

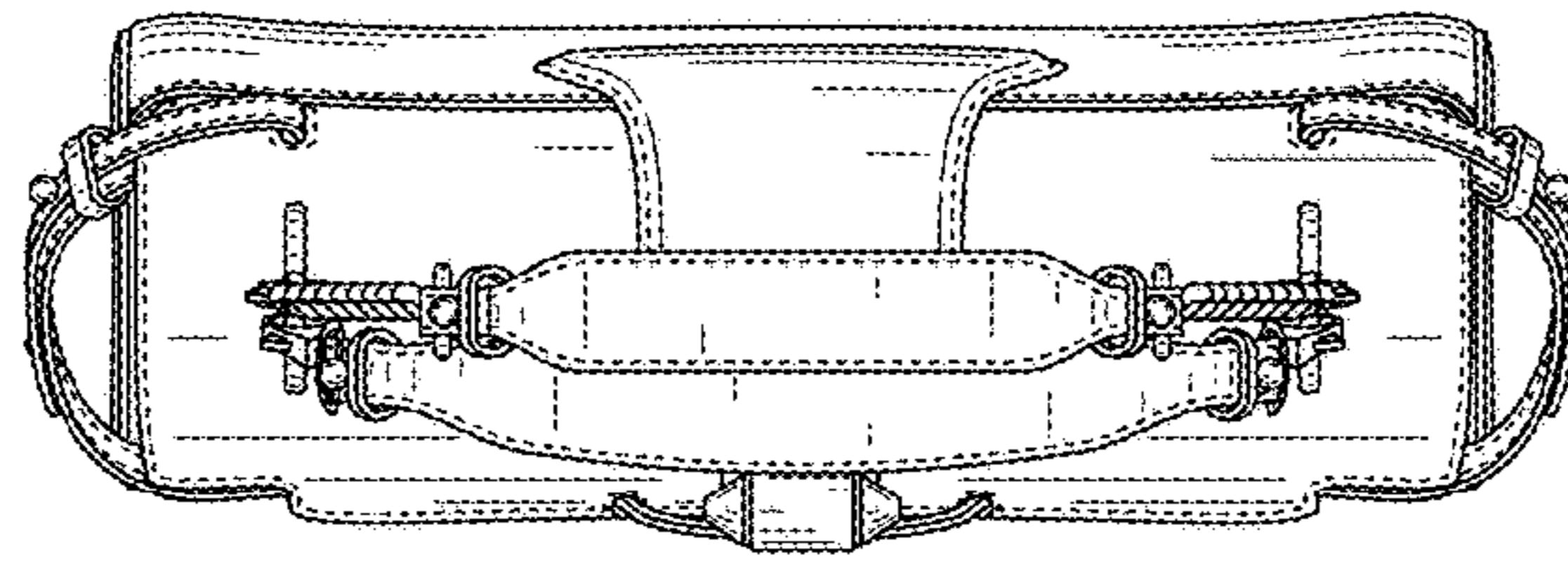


FIG. 6

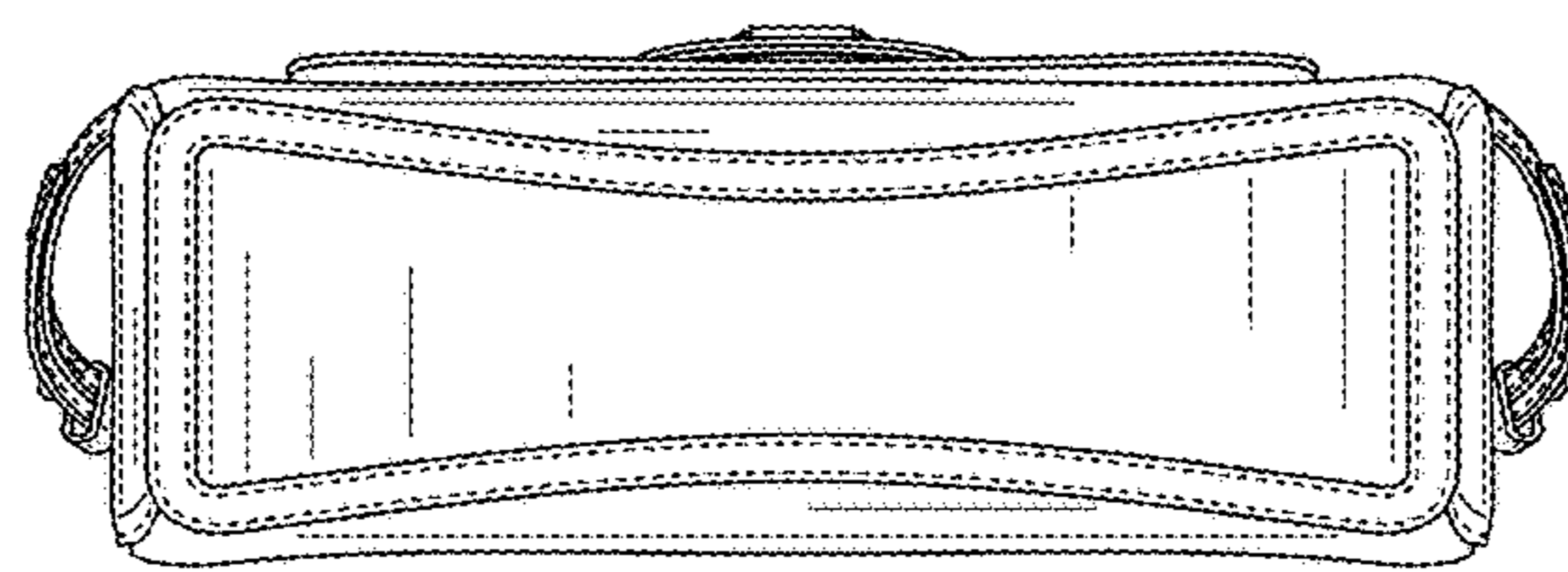


FIG. 7