



US00D857379S

(12) **United States Design Patent**
Vaccarello

(10) **Patent No.:** **US D857,379 S**

(45) **Date of Patent:** **** Aug. 27, 2019**

(54) **HANDBAG**

(71) Applicant: **YVES SAINT LAURENT**, Paris (FR)

(72) Inventor: **Anthony Vaccarello**, Paris (FR)

(73) Assignee: **YVES SAINT LAURENT**, Paris (FR)

(**) Term: **15 Years**

(21) Appl. No.: **29/650,397**

(22) Filed: **Jun. 6, 2018**

(30) **Foreign Application Priority Data**

Apr. 13, 2018 (EM) 005232311-0001

(51) **LOC (12) Cl.** **03-01**

(52) **U.S. Cl.**
USPC **D3/232**

(58) **Field of Classification Search**
USPC D3/226, 227, 229, 230, 232, 233, 234,
D3/235, 238, 239, 240, 241, 242, 243,
D3/244, 245, 246, 247, 248, 249, 250,
D3/251, 253, 270, 271.2, 271.3, 271.9
CPC .. A45C 1/024; A45C 3/04; A45C 3/06; A45C
3/08; A45C 3/10; A45C 7/0059; A45C
7/0077; A45C 13/08; A45C 13/26; A45C
2001/083

See application file for complete search history.

(56) **References Cited**

U.S. PATENT DOCUMENTS

2,784,756 A * 3/1957 Resnick A45C 3/06
150/103
D235,692 S * 7/1975 Rushing D3/243
D246,939 S * 1/1978 Casser D3/233
5,027,874 A * 7/1991 Gazzola A45C 13/26
150/107
D324,771 S * 3/1992 Dixsaut D3/243

D384,812 S * 10/1997 Heffelfinger D3/243
D406,457 S * 3/1999 De Baschmakoff D3/232
D417,779 S * 12/1999 De Baschmakoff D3/232
D583,553 S * 12/2008 Stulman D3/232
D659,391 S * 5/2012 Jobert D3/243
D688,450 S * 8/2013 Philo D3/243
D688,451 S * 8/2013 Philo D3/243
D698,546 S * 2/2014 Palmieri D3/243
D742,636 S * 11/2015 Maier D3/243
D751,286 S * 3/2016 Maier D3/232
D756,114 S * 5/2016 Slimane D3/243
D772,563 S * 11/2016 Carol-Libman D3/232
D789,684 S * 6/2017 Michele D3/232
D790,214 S * 6/2017 Gale D3/243
D793,723 S * 8/2017 Lopez Montoya D3/232
D802,299 S * 11/2017 Sassi D3/246
D803,554 S * 11/2017 Maier D3/243
D818,706 S * 5/2018 Maier D3/232
D834,309 S * 11/2018 Heyman D3/232

(Continued)

Primary Examiner — Cathron C Brooks

Assistant Examiner — Andrew T Nemeth

(74) *Attorney, Agent, or Firm* — Donald J. Ranft; Collen

(57) **CLAIM**

The ornamental design for a handbag, as shown and described.

DESCRIPTION

FIG. 1 is a front left perspective view of a handbag showing my new design;

FIG. 2 is a rear right perspective view thereof;

FIG. 3 is a top view thereof;

FIG. 4 is a bottom view thereof;

FIG. 5 is a left side view thereof;

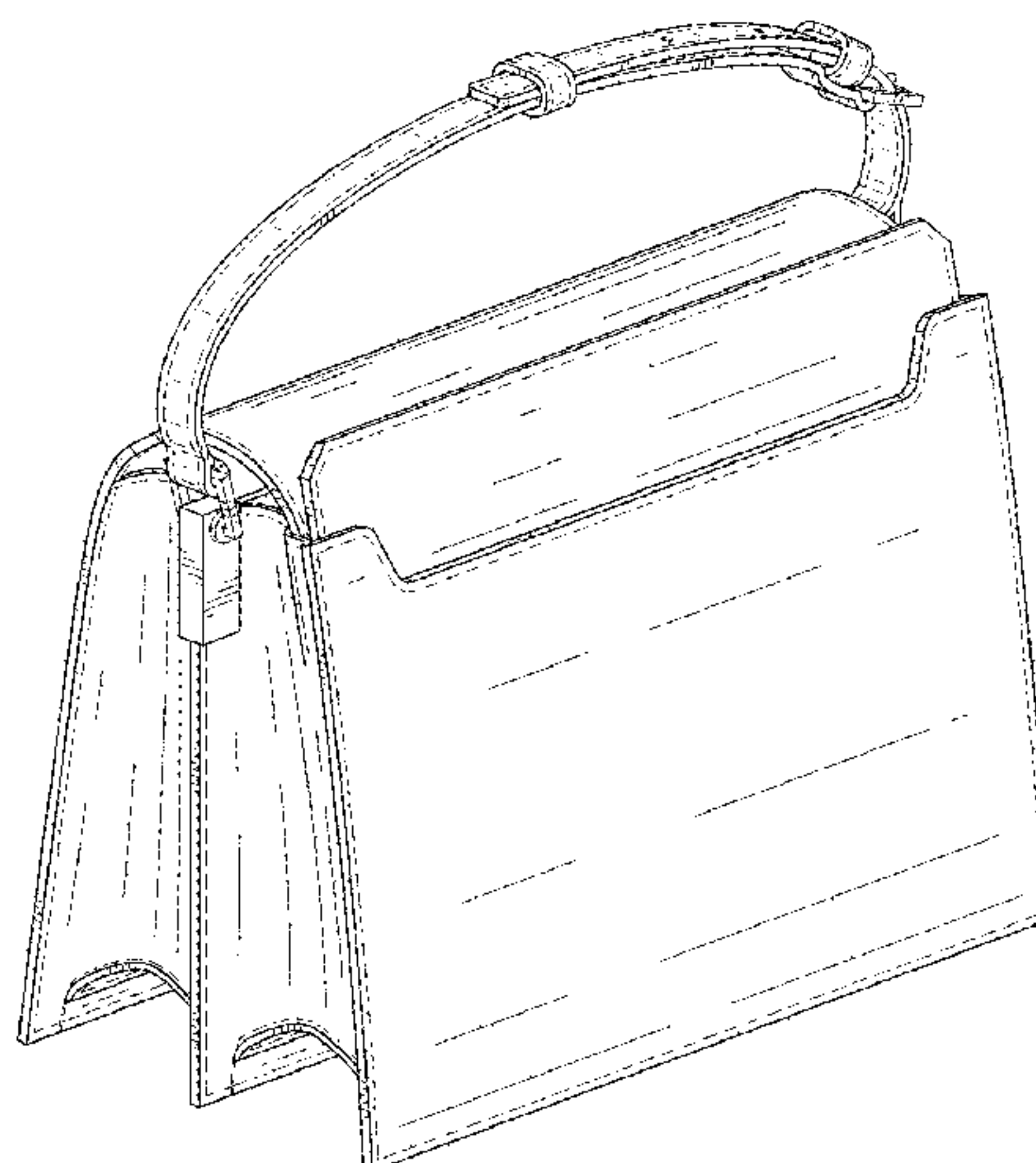
FIG. 6 is a right side view thereof;

FIG. 7 is a front view thereof; and,

FIG. 8 is a rear view thereof.

The portions of the handbag shown in broken lines represent thread stitching and do form a part of the claimed design.

1 Claim, 7 Drawing Sheets



(56)

References Cited

U.S. PATENT DOCUMENTS

D835,404 S * 12/2018 Sassi D3/232
D840,680 S * 2/2019 Nair D3/243

* cited by examiner

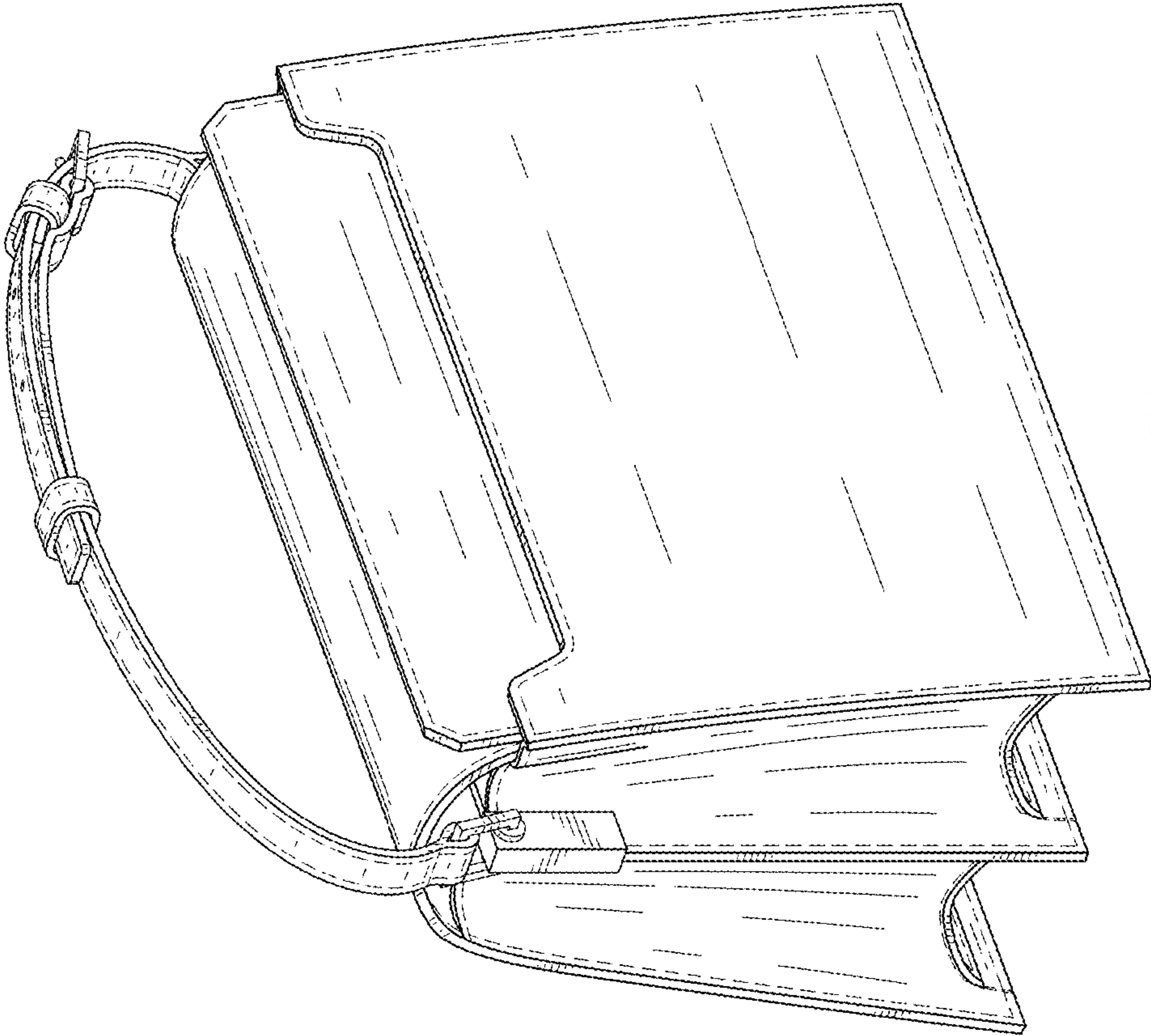


FIG. 1

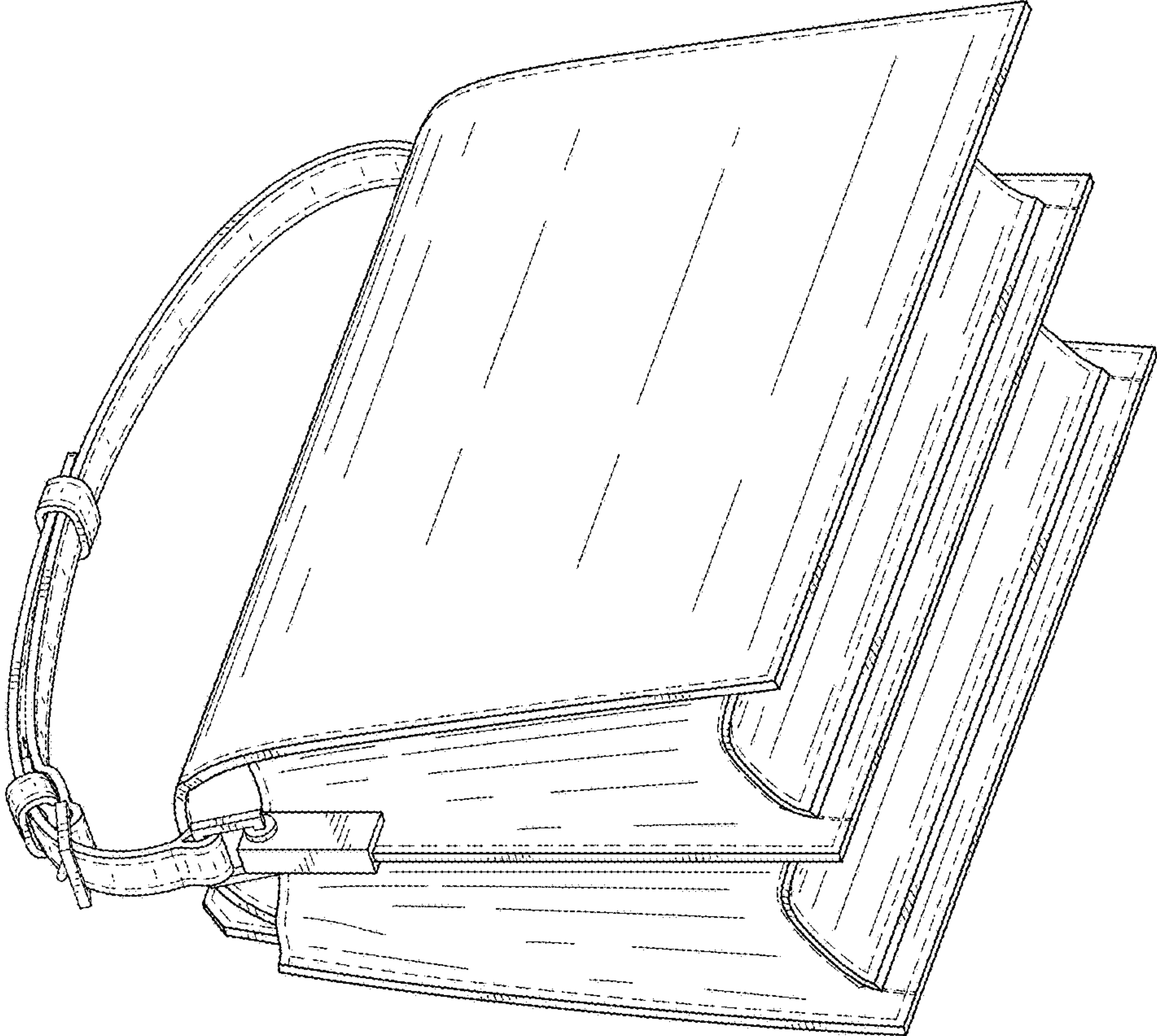


FIG. 2

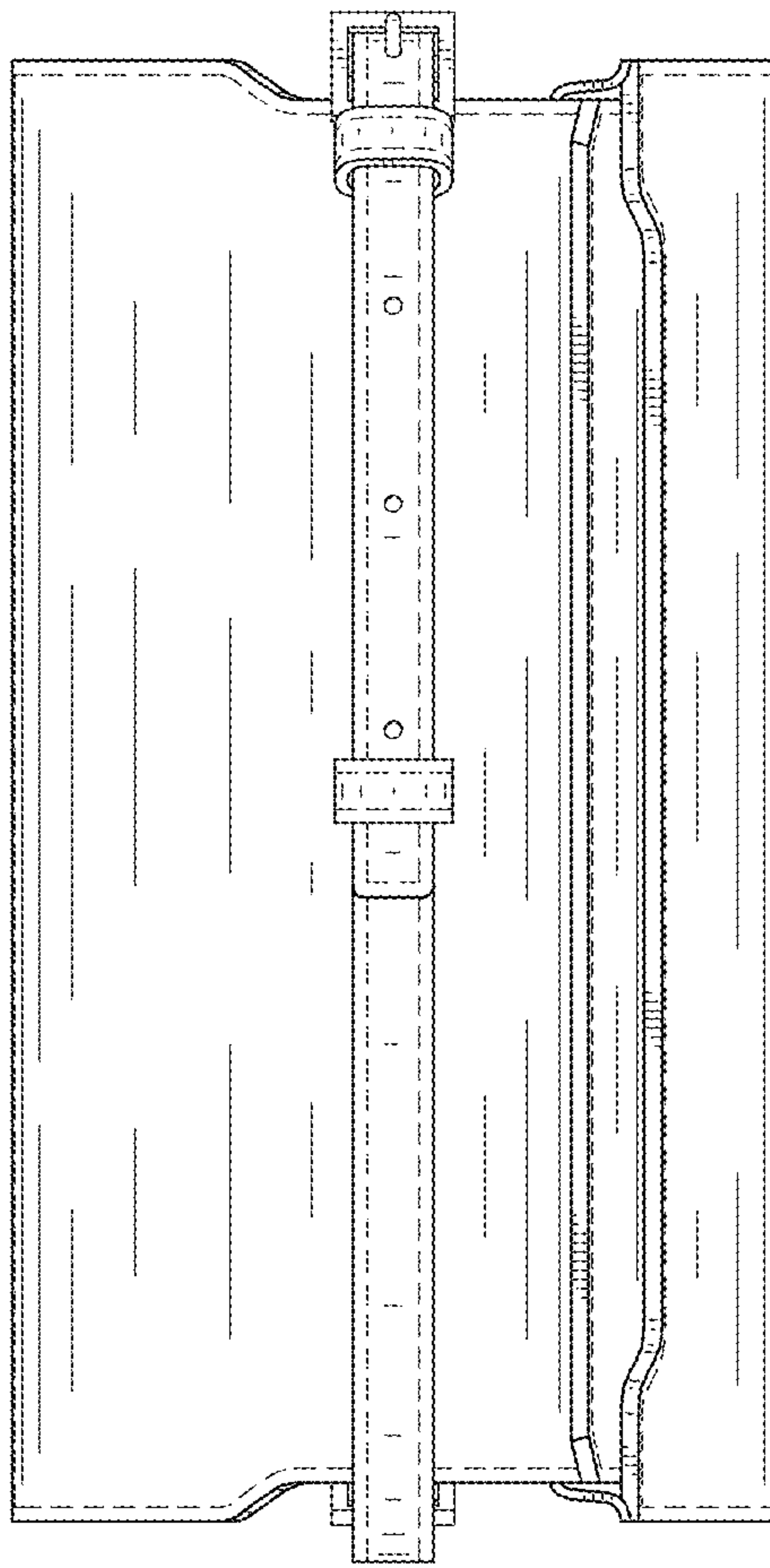


FIG. 3

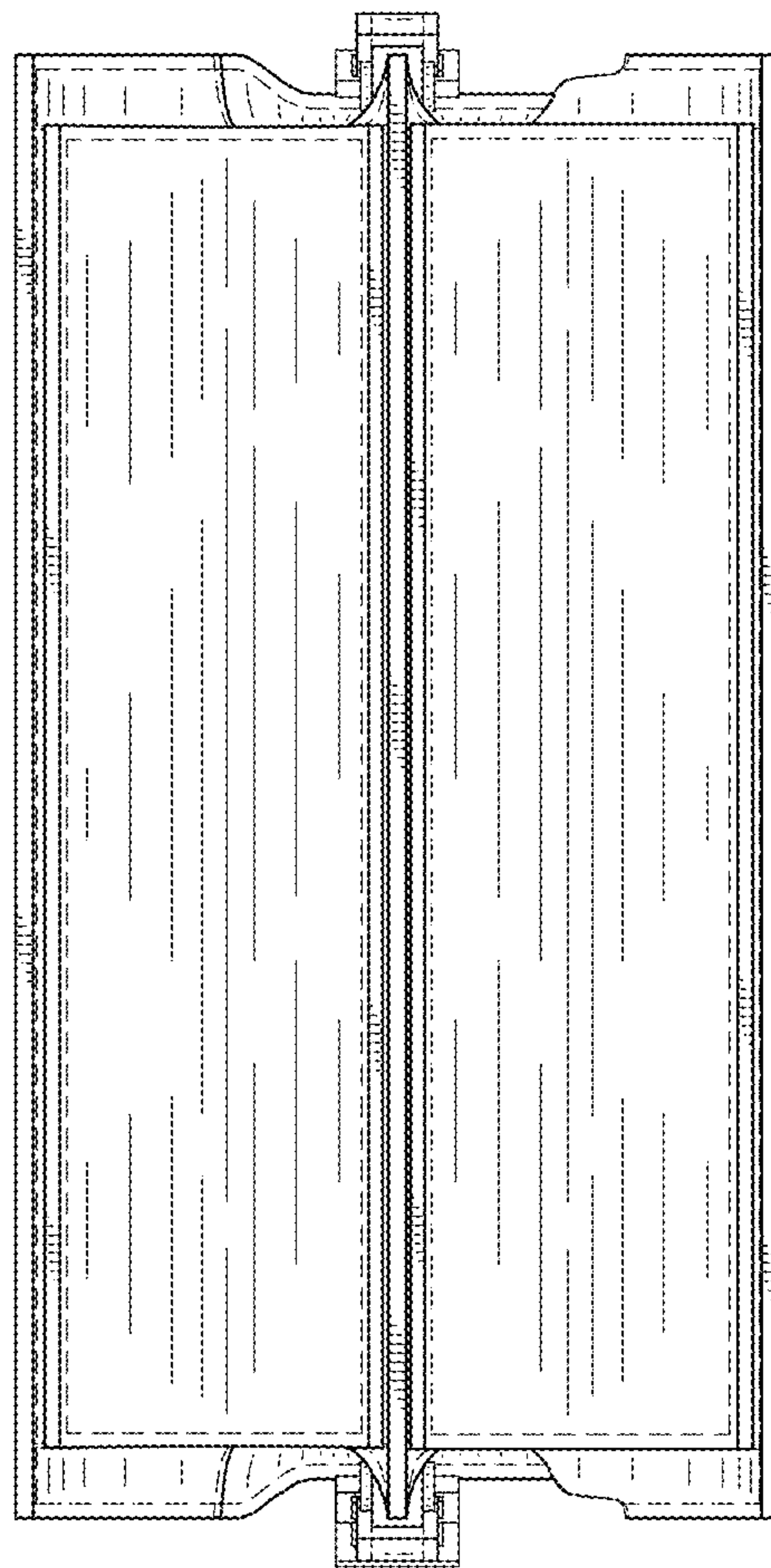


FIG. 4

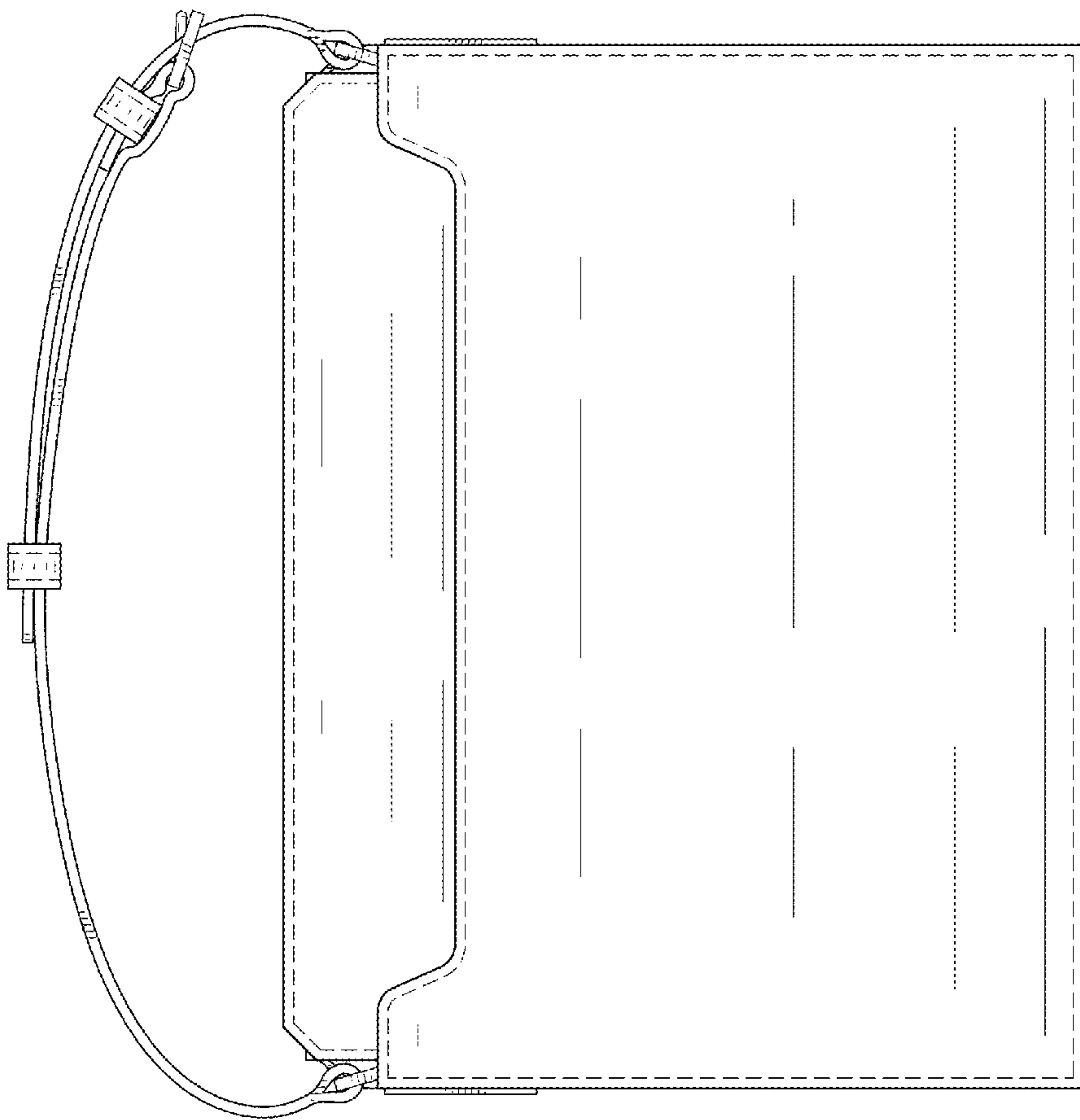


FIG. 7

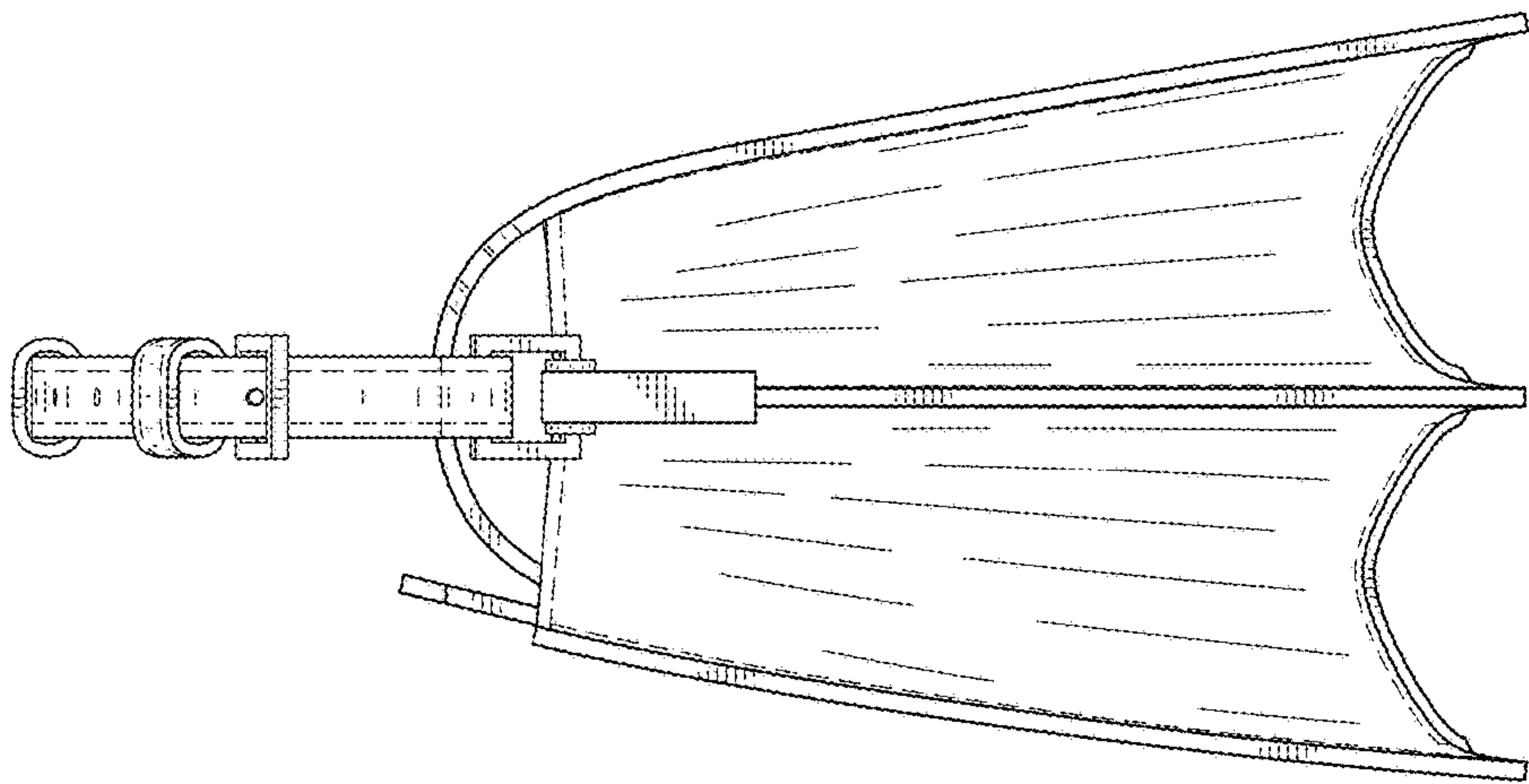


FIG. 6

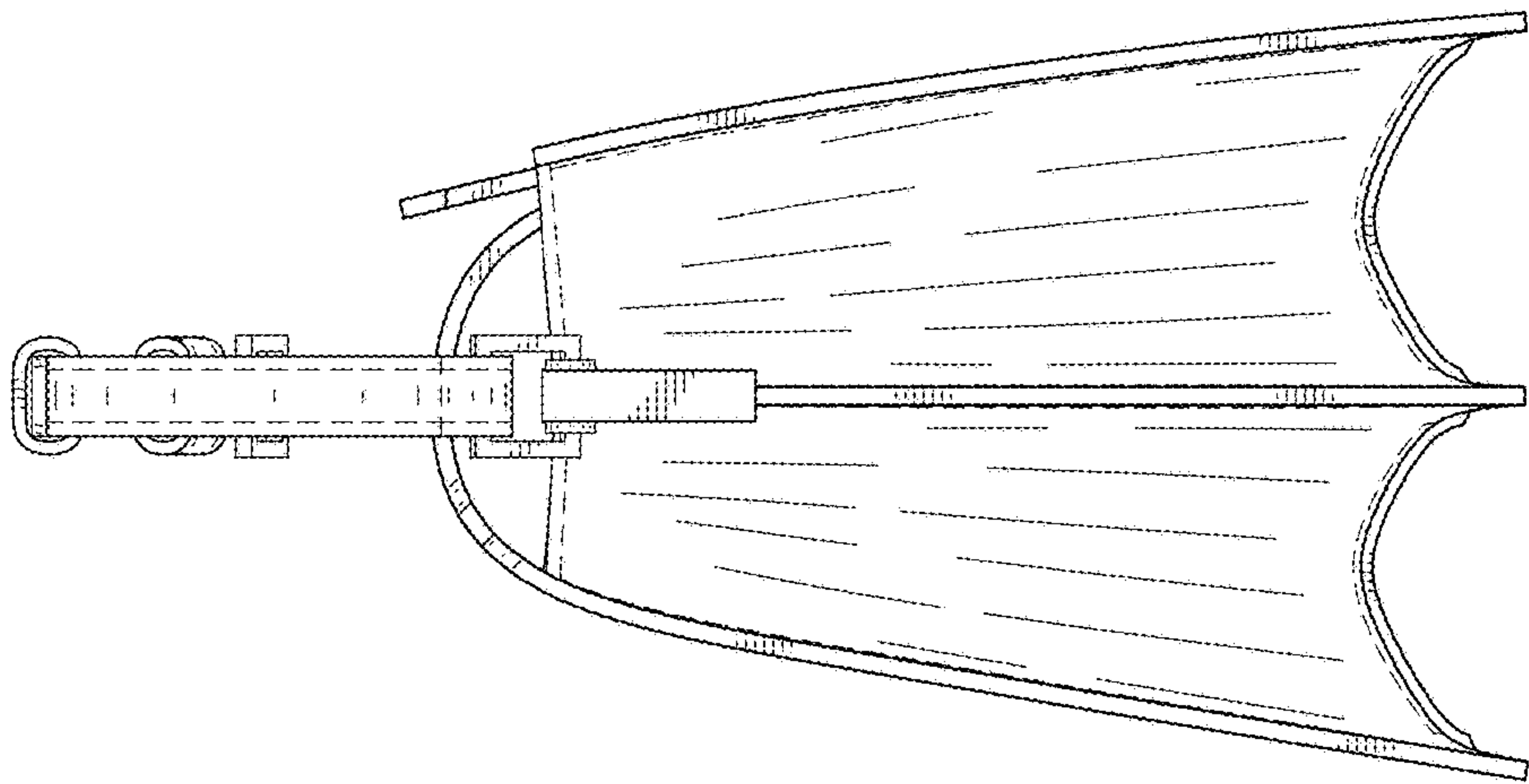


FIG. 5

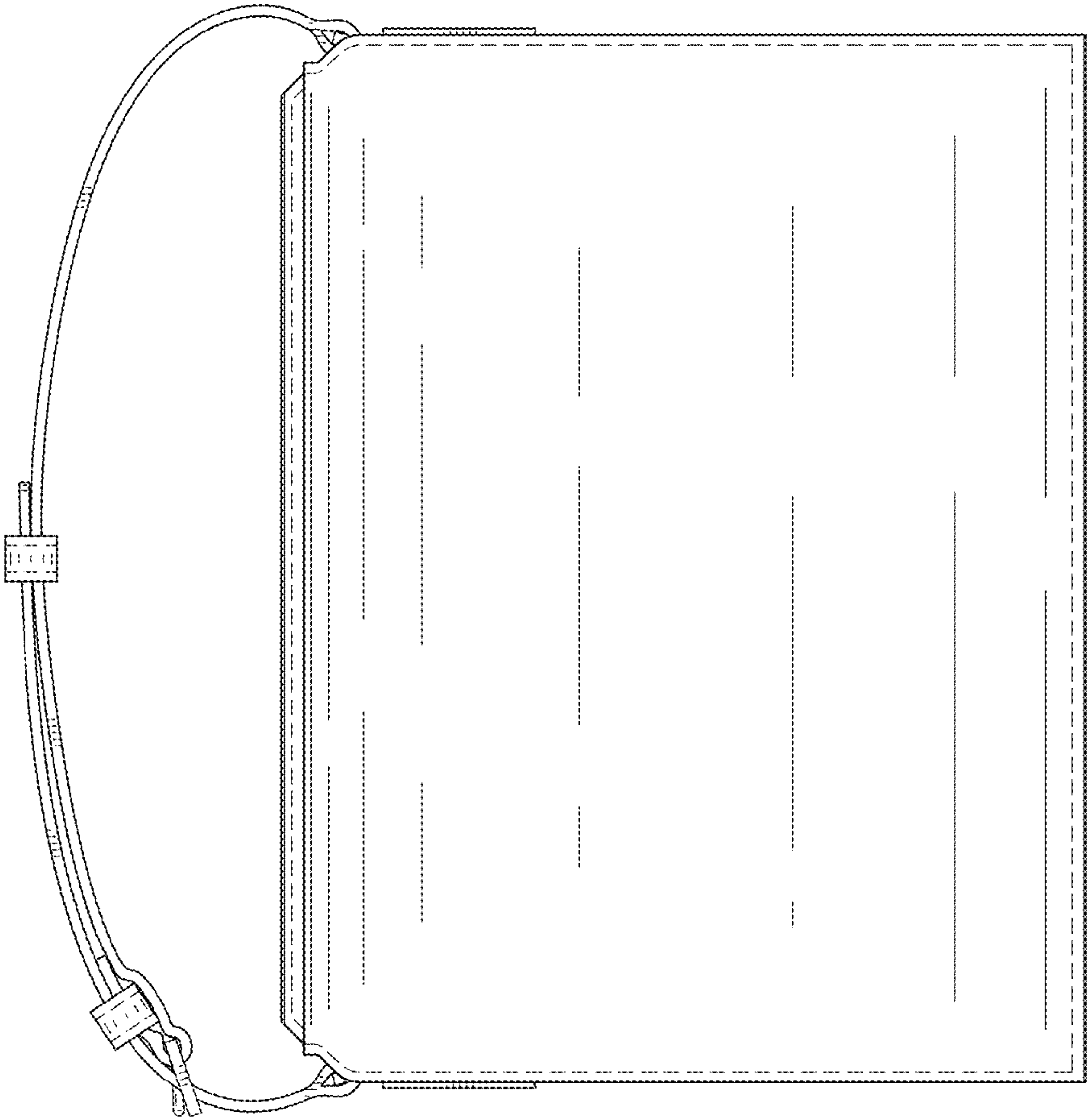


FIG. 8