



US00D857378S

(12) **United States Design Patent**  
**Cadogan et al.**

(10) **Patent No.:** **US D857,378 S**

(45) **Date of Patent:** **\*\* Aug. 27, 2019**

(54) **DATA HUB DEVICE HOLSTER**

D649,347 S \* 11/2011 Smith ..... D3/218

8,297,440 B2 \* 10/2012 Schmidt ..... F16M 11/10

206/320

(71) Applicant: **3M INNOVATIVE PROPERTIES COMPANY**, St. Paul, MN (US)

8,537,544 B2 \* 9/2013 Li ..... H04M 1/23

248/176.3

(72) Inventors: **Elizabeth D. Cadogan**, St. Paul, MN (US); **Mark G. Matthews**, Oakdale, MN (US); **Steven T. Awiszus**, Woodbury, MN (US); **Thomas G. Skulley**, St. Paul, MN (US)

D702,239 S 4/2014 Lee et al.

D706,270 S 6/2014 Akana et al.

D718,296 S \* 11/2014 Namminga ..... D14/253

(Continued)

**FOREIGN PATENT DOCUMENTS**

(73) Assignee: **3M Innovative Properties Company**, St. Paul, MN (US)

EM 000030861-0002 8/2003

EM 000411087-0002 1/2005

(Continued)

(\*\*) Term: **15 Years**

*Primary Examiner* — Catherine R Oliver-Garcia

(21) Appl. No.: **29/624,679**

(74) *Attorney, Agent, or Firm* — Christopher D. Karlen

(22) Filed: **Nov. 2, 2017**

(57) **CLAIM**

(51) **LOC (12) Cl.** ..... **03-01**

The ornamental design for a data hub device holster, as shown and described.

(52) **U.S. Cl.**

USPC ..... **D3/218**

(58) **Field of Classification Search**

**DESCRIPTION**

USPC ..... D3/218, 215, 228; D14/251–252, 253, D14/447, 452; 248/176.3, 454; 206/305, 206/320; 455/575.1

FIG. 1 is a perspective view showing the new design for a data hub device holster;

FIG. 2 is a front view thereof;

FIG. 3 is a rear view thereof;

FIG. 4 is a left side view thereof;

FIG. 5 is a right side view thereof;

FIG. 6 is a top view thereof;

FIG. 7 is a bottom view thereof; and,

FIG. 8 is a perspective view for the data hub device holster in use.

CPC ..... A45F 5/02; A45F 5/021; F16M 11/10; F16M 11/105; F16M 13/00; H04M 1/23

See application file for complete search history.

The surface shading illustrated in the drawings is provided merely to highlight the contour of design; it is not intended to be illustrative of texture or gloss.

The broken lines depict environmental structure and are included for the purpose of illustrating only and form no part of the claimed design.

(56) **References Cited**

**U.S. PATENT DOCUMENTS**

D348,981 S \* 7/1994 Dill ..... D3/218

D359,616 S \* 6/1995 Ishibashi ..... D3/218

D368,582 S \* 4/1996 King ..... D3/218

D369,465 S \* 5/1996 Scheid ..... D3/218

D451,915 S \* 12/2001 Dalmau ..... D14/253

D506,753 S 6/2005 Duarte et al.

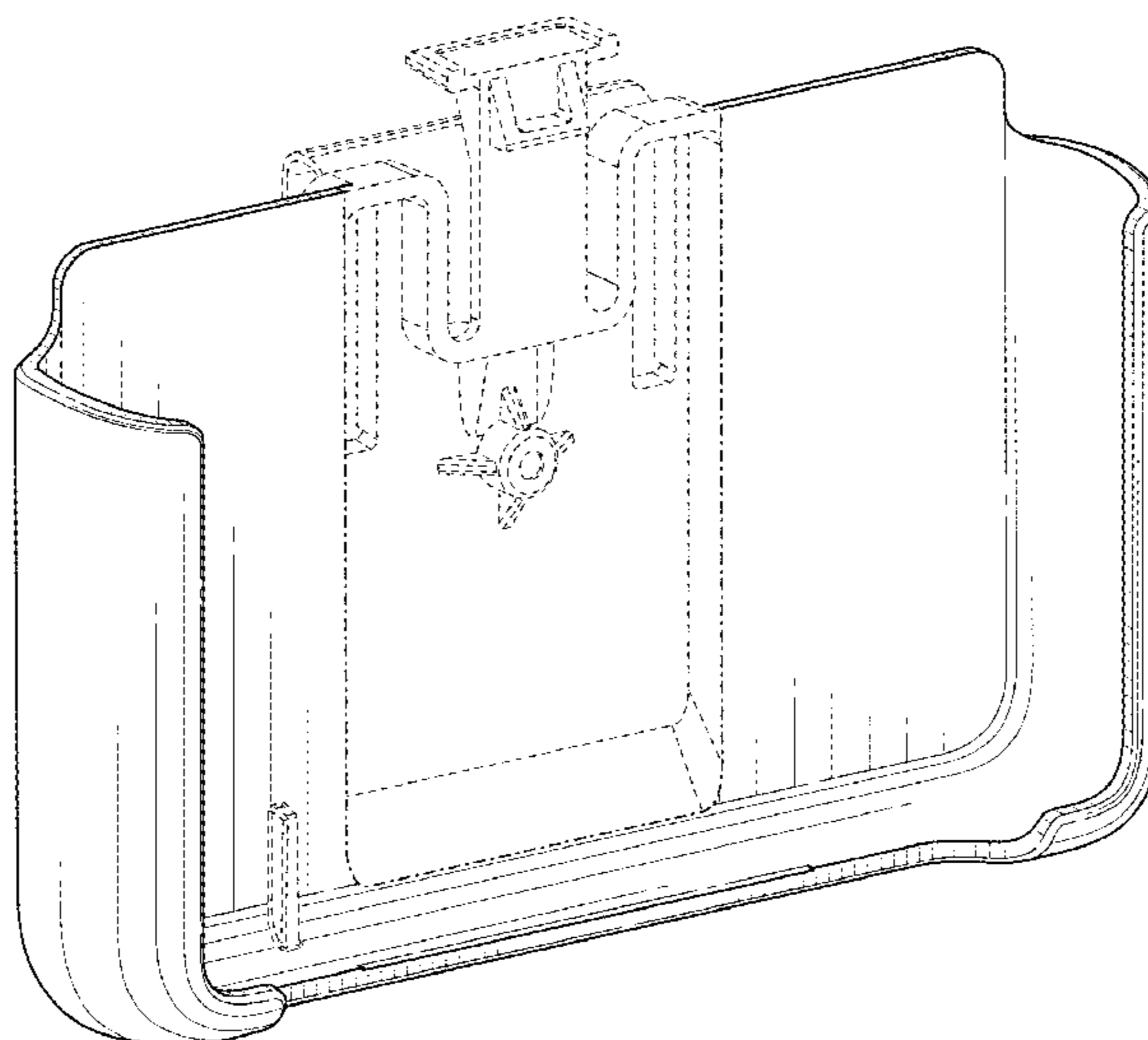
D601,139 S 9/2009 Huang et al.

D606,549 S 12/2009 He

D611,251 S 3/2010 Charlwood

D627,777 S 11/2010 Akana et al.

**1 Claim, 4 Drawing Sheets**



(56)

**References Cited**

U.S. PATENT DOCUMENTS

D728,624 S	5/2015	Akana et al.	
D795,264 S	8/2017	Wright et al.	
D807,635 S	1/2018	Clover et al.	
D808,641 S *	1/2018	Clover .....	D3/218
D815,626 S	4/2018	Clover et al.	
D822,379 S *	7/2018	Li .....	D3/218
D836,643 S	12/2018	Cadogan et al.	
D836,673 S	12/2018	Clover et al.	

FOREIGN PATENT DOCUMENTS

EM	001605007-0004	9/2009
EM	004421154-0001	11/2017
GB	5001826	3/2016
JP	1-129923	9/1989
JP	1021791	9/1998
JP	1330984	5/2008
JP	1381209	3/2010
KR	0230056	12/1998

\* cited by examiner

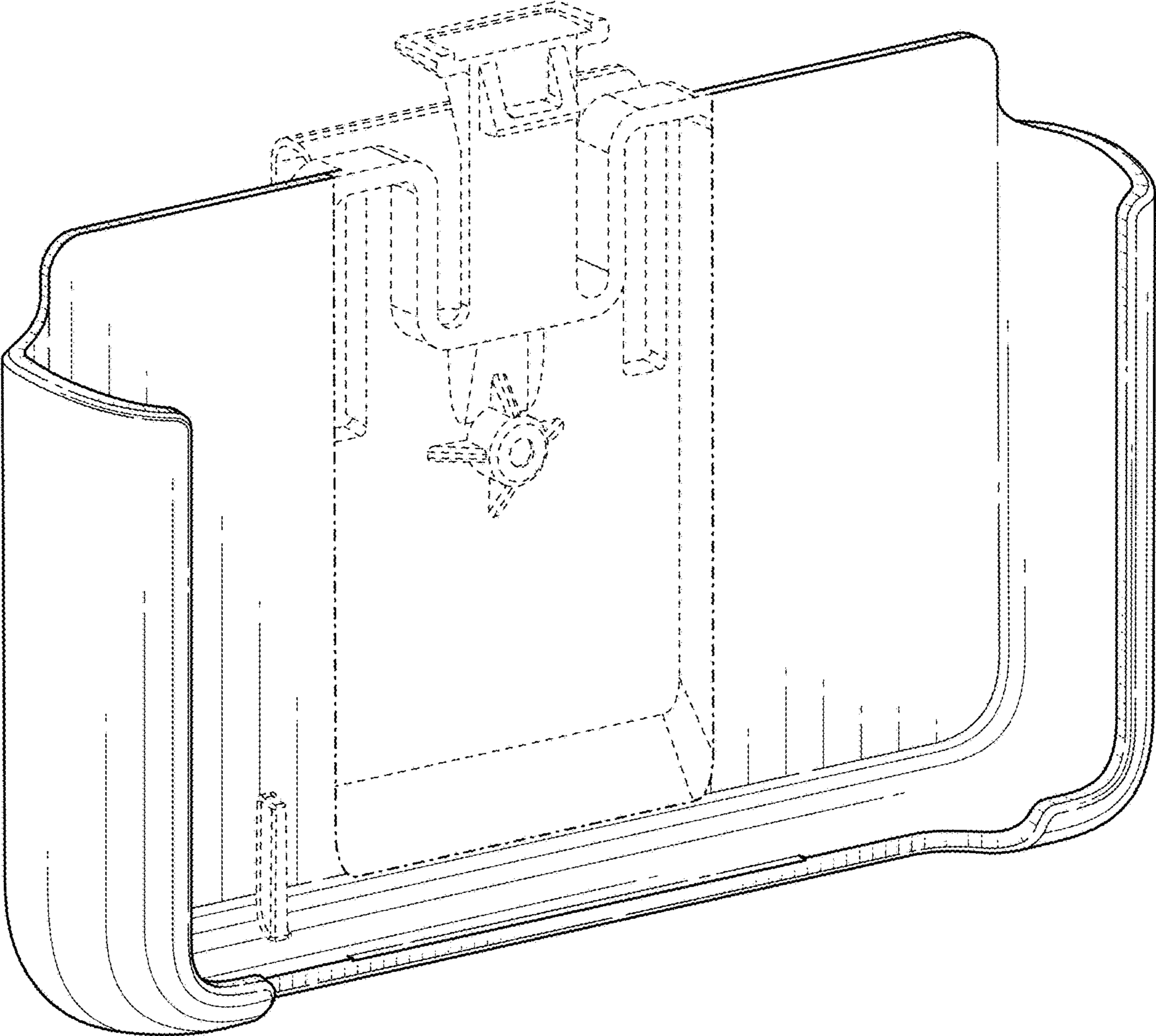


FIG. 1

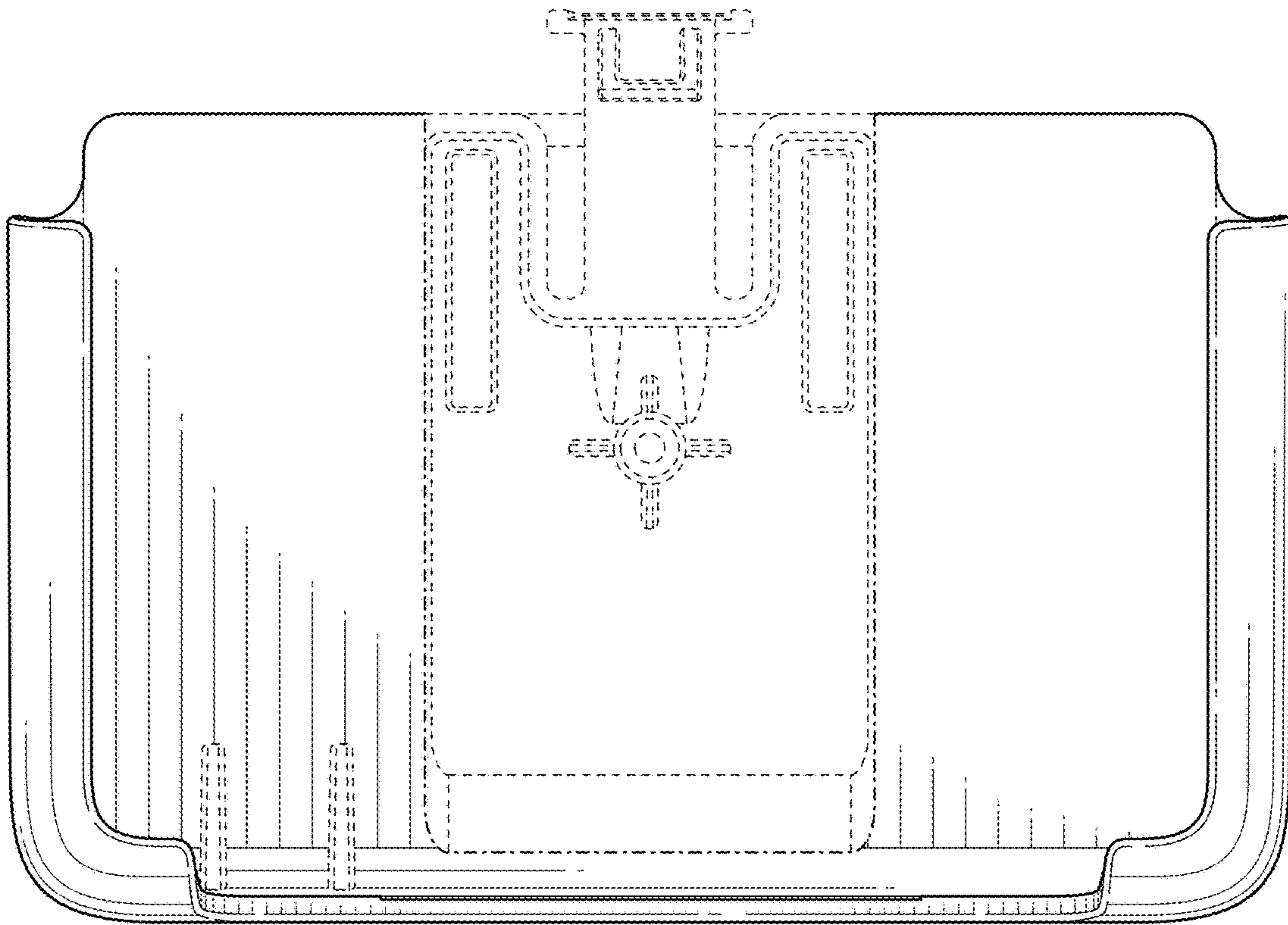


FIG. 2

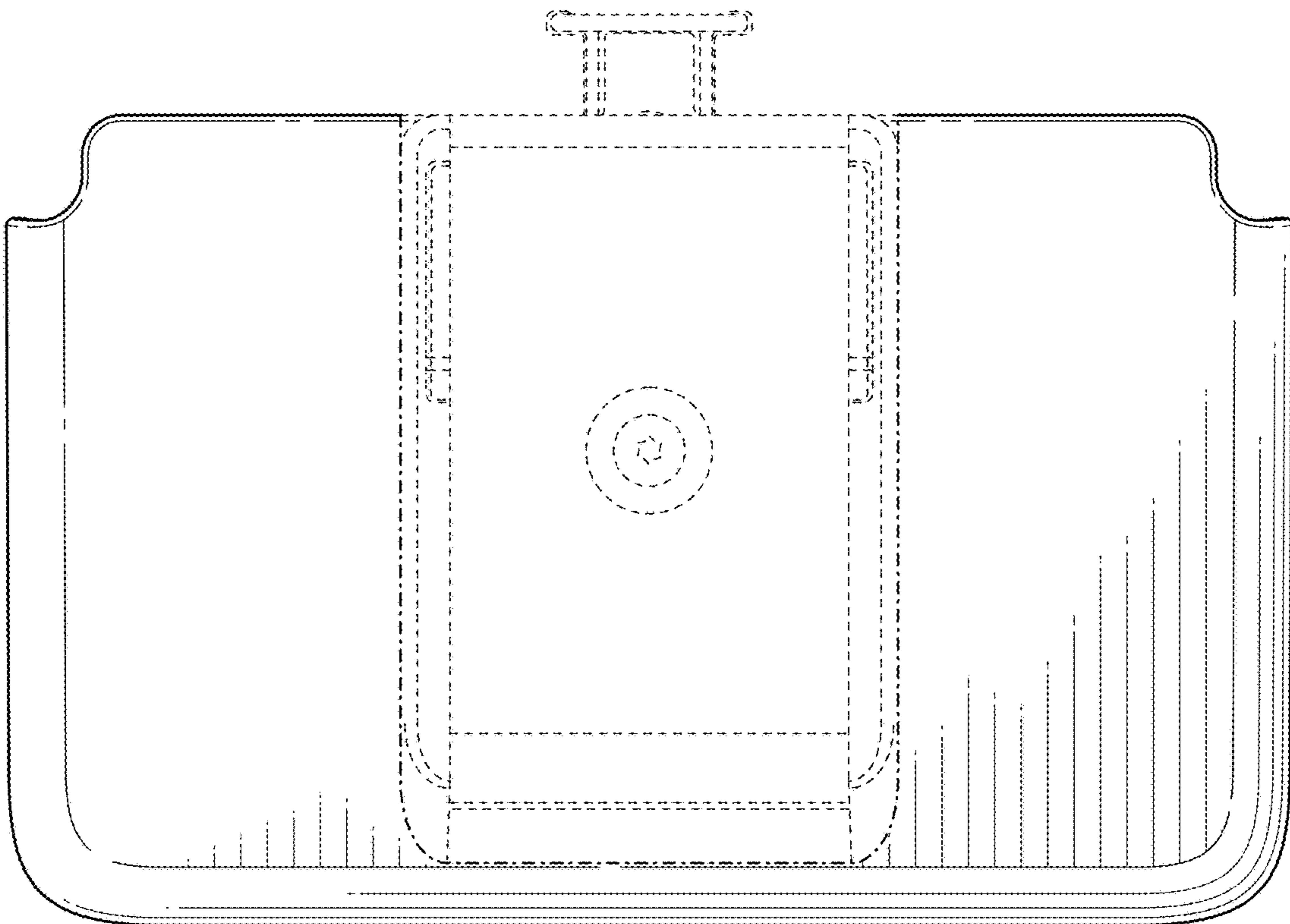


FIG. 3

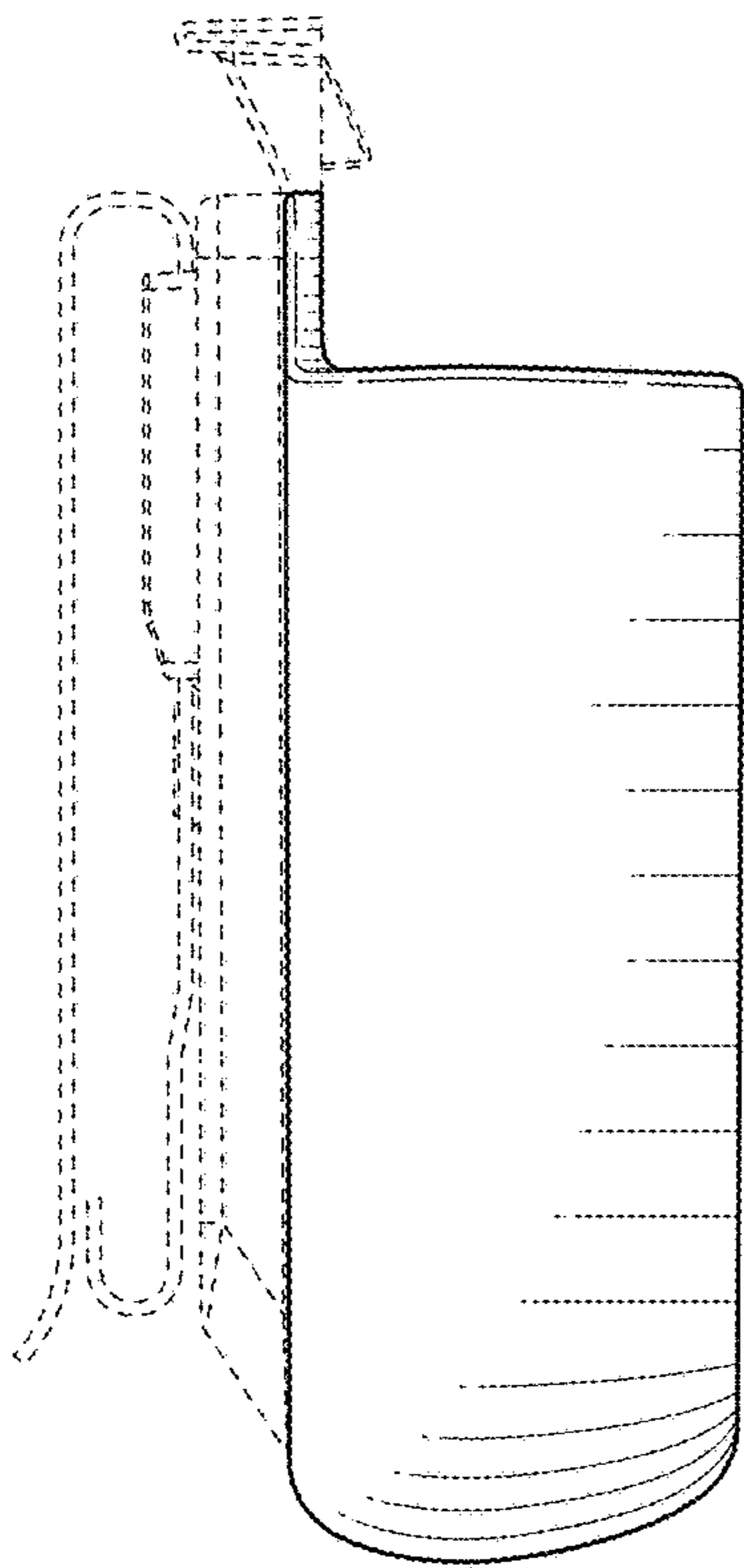


FIG. 4

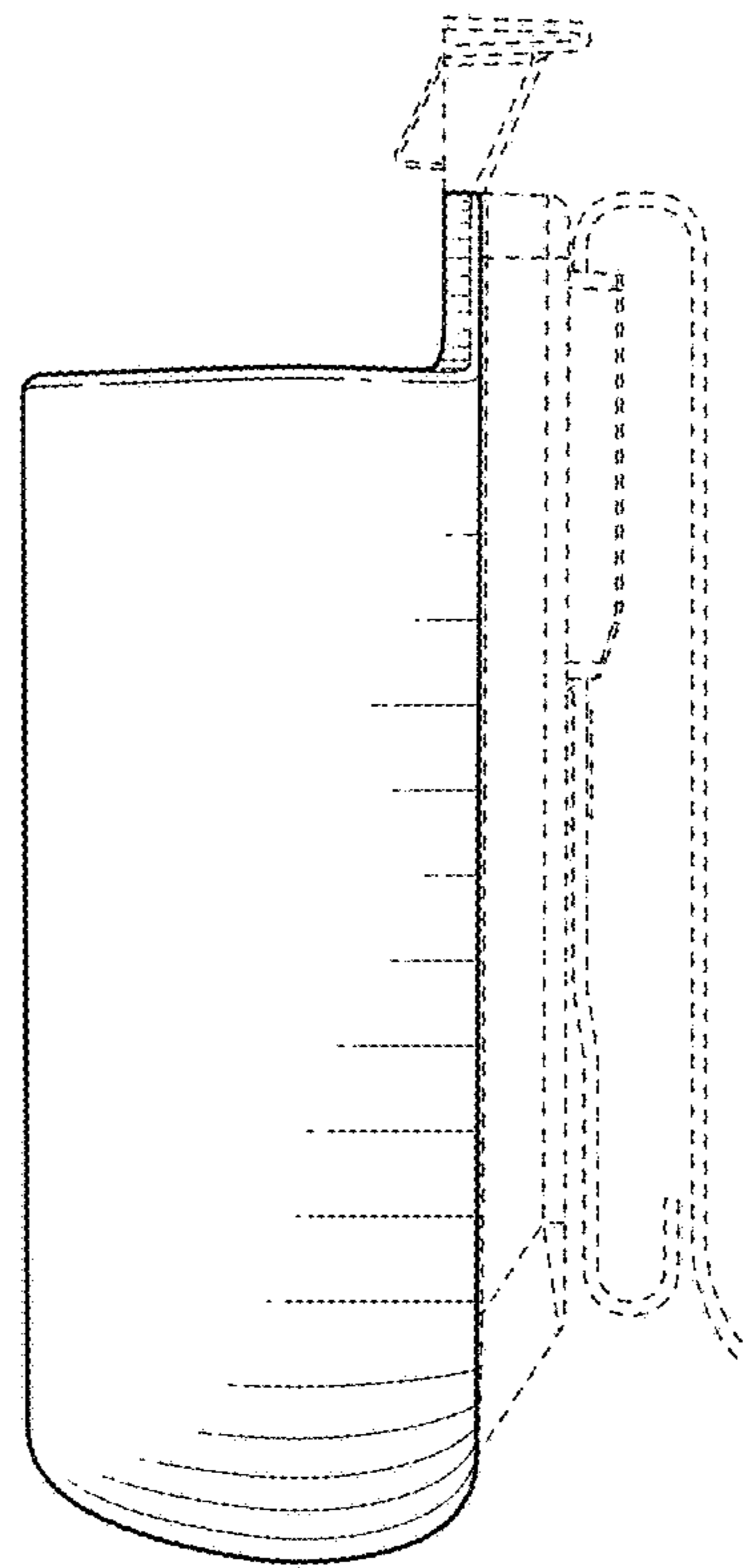


FIG. 5

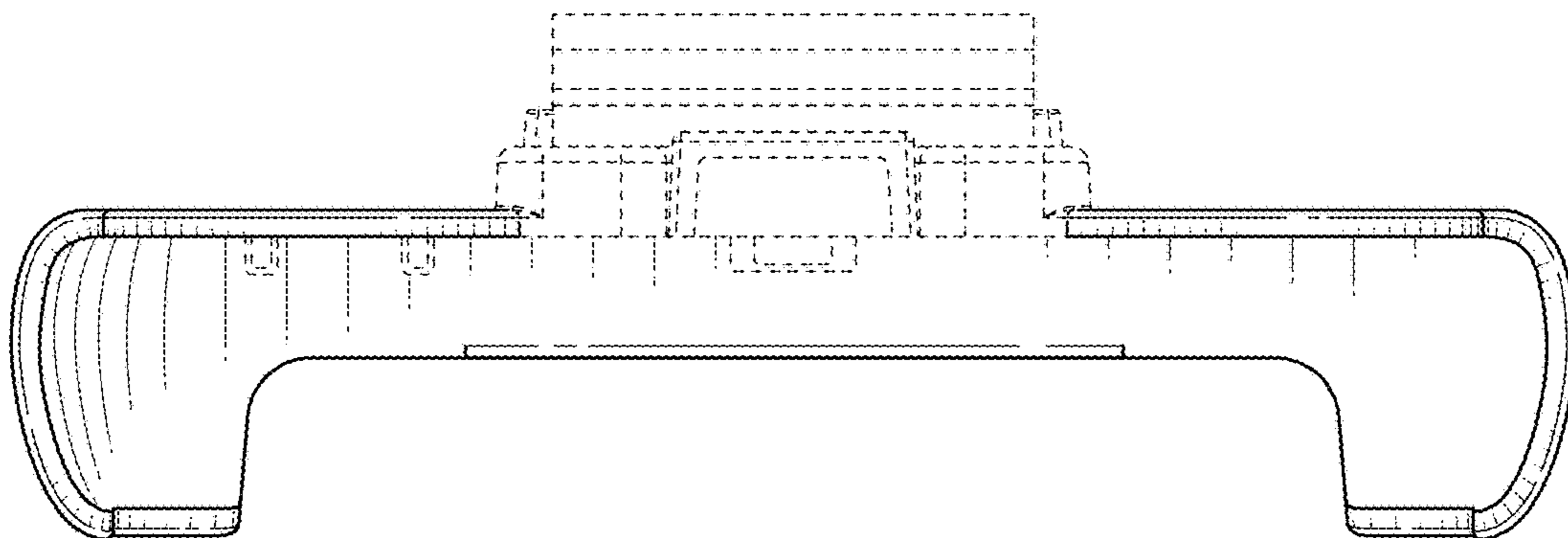


FIG. 6

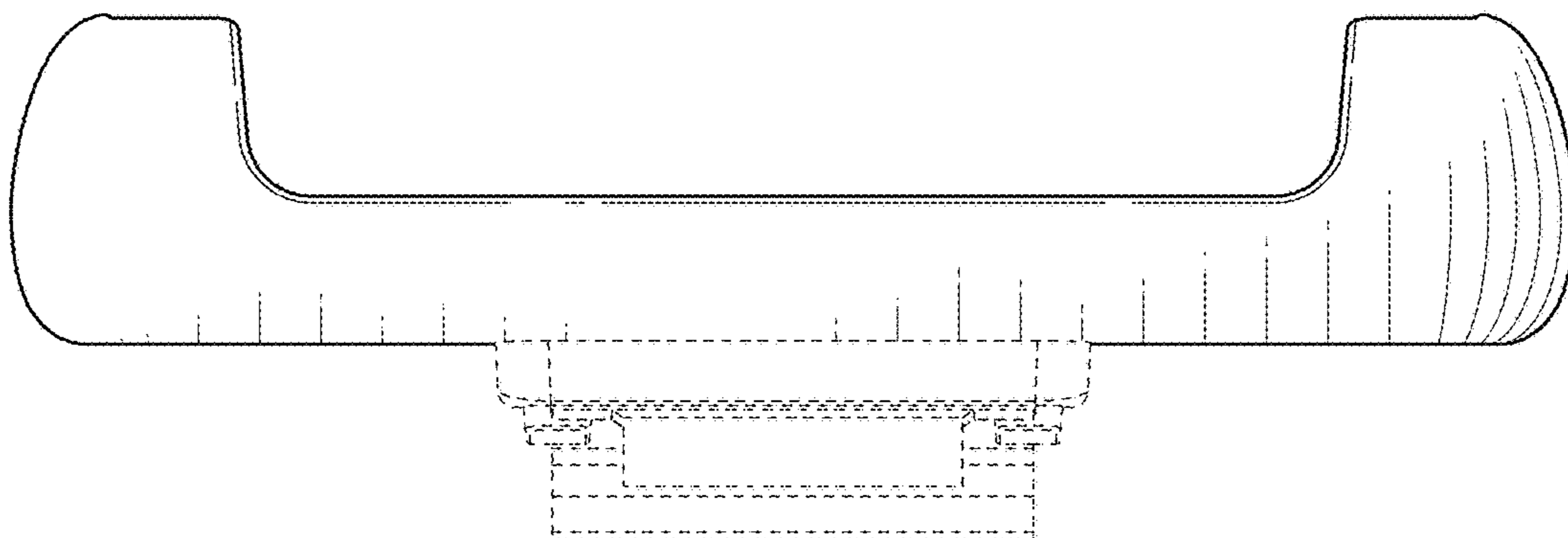


FIG. 7

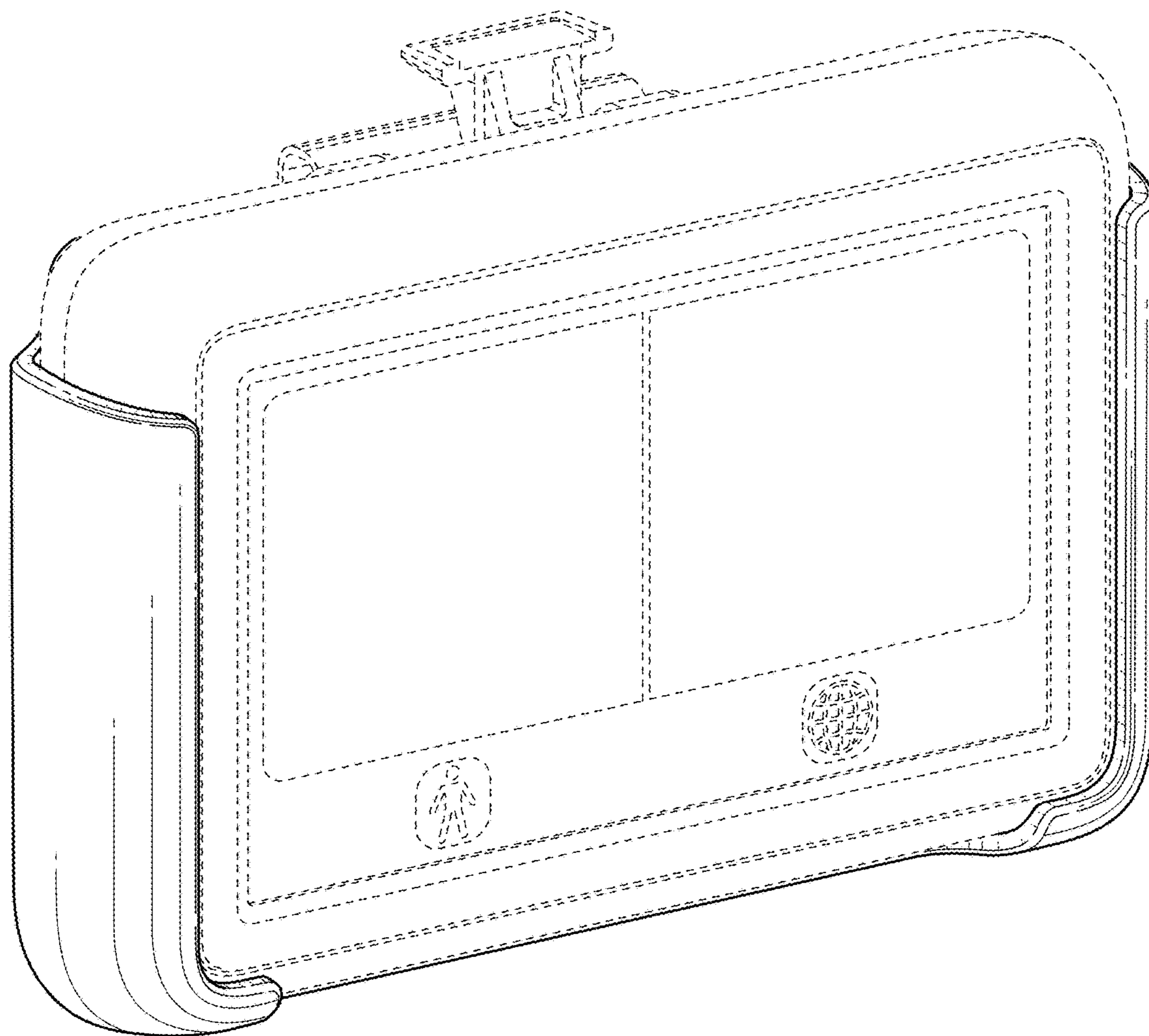


FIG. 8