



US00D857376S

(12) **United States Design Patent** (10) **Patent No.:** **US D857,376 S**
Thibadeau (45) **Date of Patent:** **** Aug. 27, 2019**

(54) **BACKPACK**
(71) Applicant: **Thule, Inc.**, Seymour, CT (US)
(72) Inventor: **Mark Thibadeau**, Boulder, CO (US)
(73) Assignee: **Thule, Inc.**, Seymour, CT (US)
(**) Term: **15 Years**
(21) Appl. No.: **29/611,657**
(22) Filed: **Jul. 24, 2017**
(51) **LOC (12) Cl.** **03-01**
(52) **U.S. Cl.**
USPC **D3/217**
(58) **Field of Classification Search**
USPC D3/201, 213-218, 231, 232, 233, 254,
D3/267, 273, 274, 279, 283, 285, 286,
D3/287, 289, 290, 301, 318, 321, 327
CPC A45F 3/04; A45F 4/02; A45F 3/02; A45F
3/08; A45F 3/047; A45C 9/00; A45C
5/14; A45C 13/02; A45C 3/00; A45C
13/08; A41D 15/04
See application file for complete search history.

6,595,334 B1 * 7/2003 Saetia A45C 5/143
190/102
D485,678 S * 1/2004 Haro D3/216
D706,534 S 6/2014 Zwetzig
D709,689 S * 7/2014 Brunazzi D3/217
D759,369 S 6/2016 Mei Yee
D780,454 S * 3/2017 Zwetzig D3/318
D784,005 S * 4/2017 Zheng D3/216
D787,814 S * 5/2017 Kim D3/217
D793,733 S 8/2017 Mather
D819,328 S * 6/2018 Muhlenkamp, IV D3/217

* cited by examiner

Primary Examiner — Jennifer L Watkins
(74) *Attorney, Agent, or Firm* — Sterne, Kessler,
Goldstein & Fox P.L.L.C.

(57) **CLAIM**

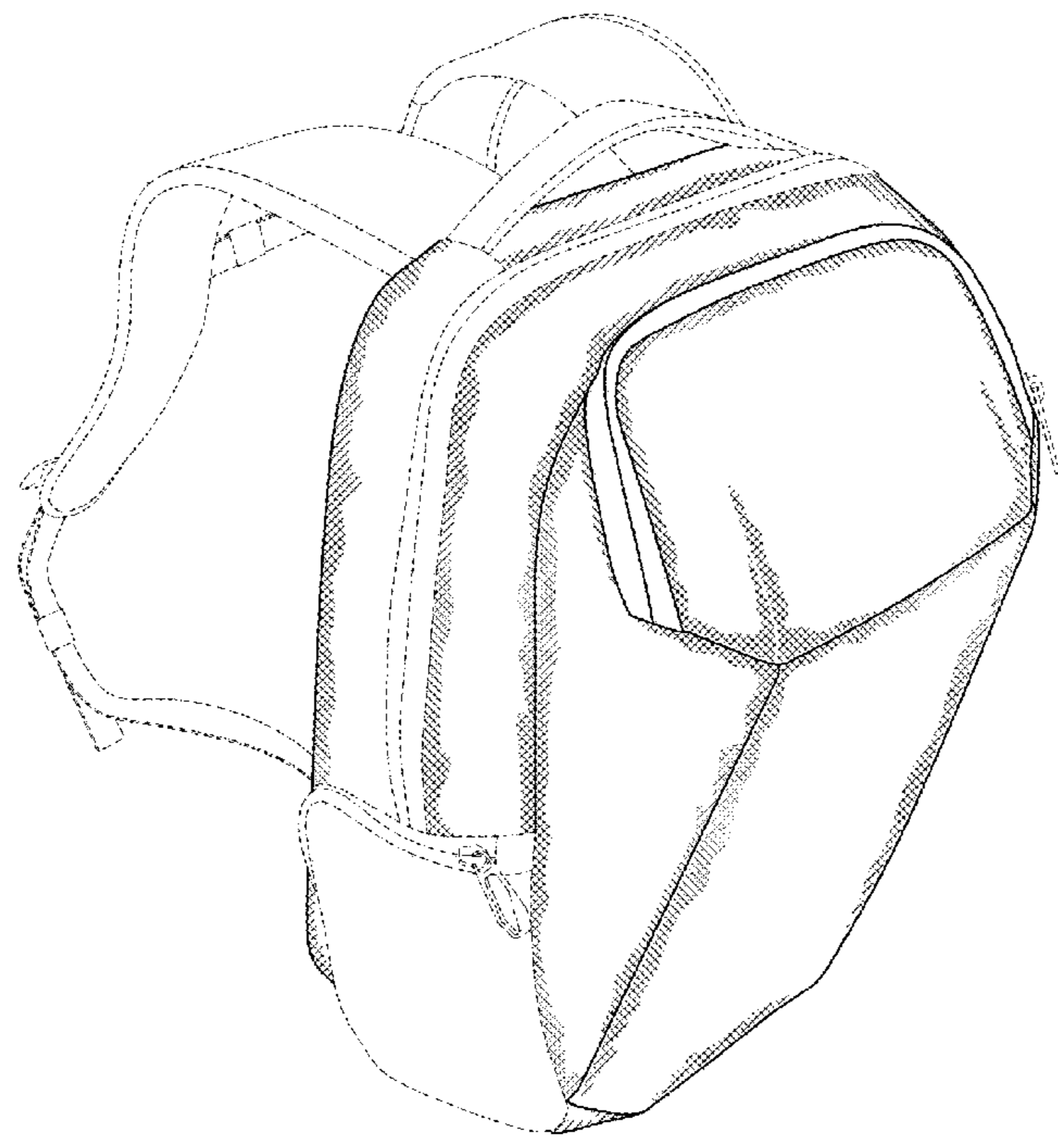
The ornamental design for a backpack, as shown and described.

DESCRIPTION

FIG. 1 is a top front perspective view of a backpack showing the claimed design;
FIG. 2 is a front view thereof;
FIG. 3 is a rear view thereof;
FIG. 4 is a left side view thereof;
FIG. 5 is a right side view thereof;
FIG. 6 is a top view thereof; and,
FIG. 7 is a bottom view thereof.
The broken lines in the figures show portions of the backpack that form no part of the claimed design.

1 Claim, 7 Drawing Sheets

(56) **References Cited**
U.S. PATENT DOCUMENTS
5,632,429 A * 5/1997 Cantwell A45C 13/30
224/264
D409,376 S * 5/1999 Golenz D3/216
D437,110 S * 2/2001 Ivarson D3/216



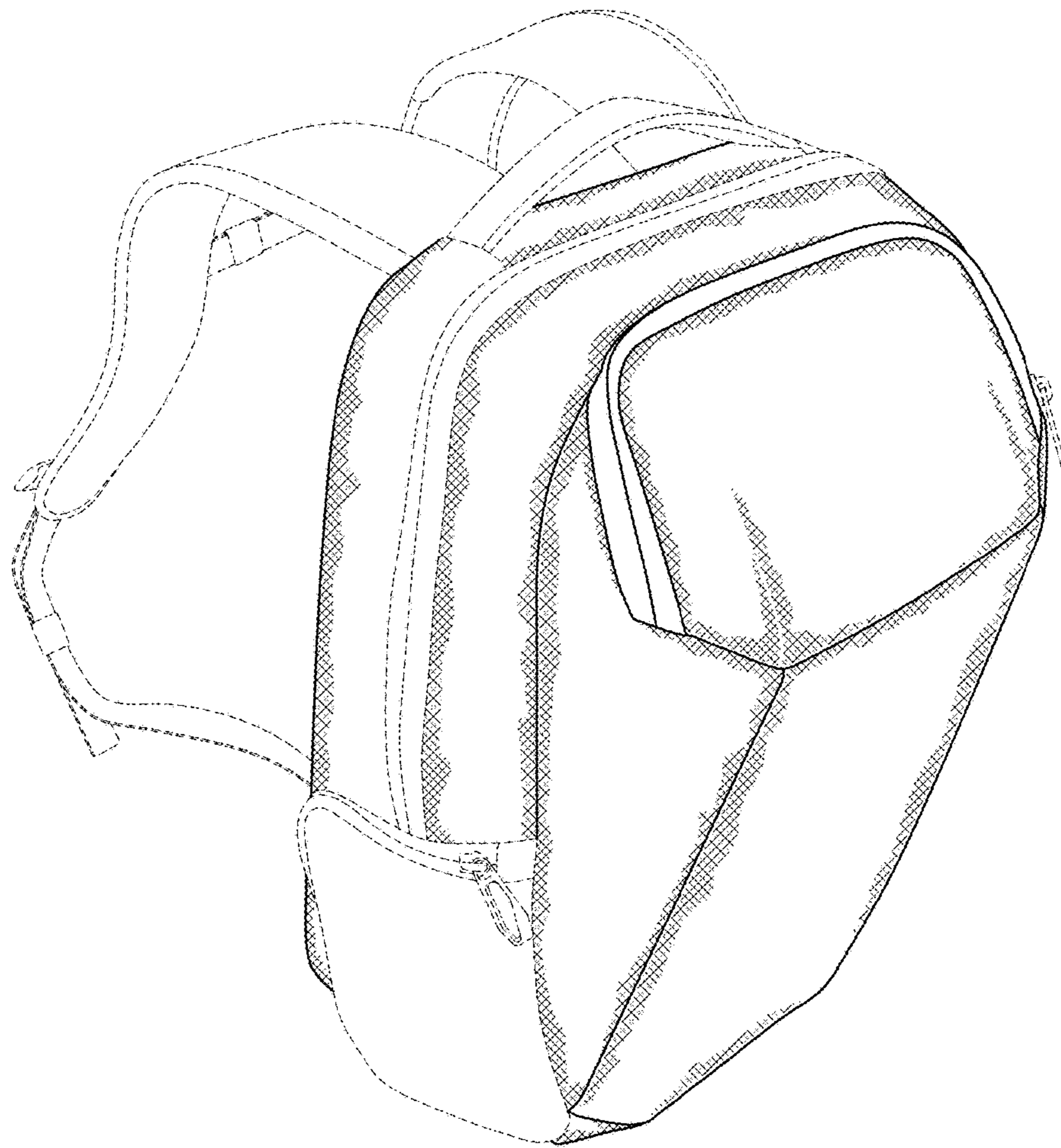


FIG. 1

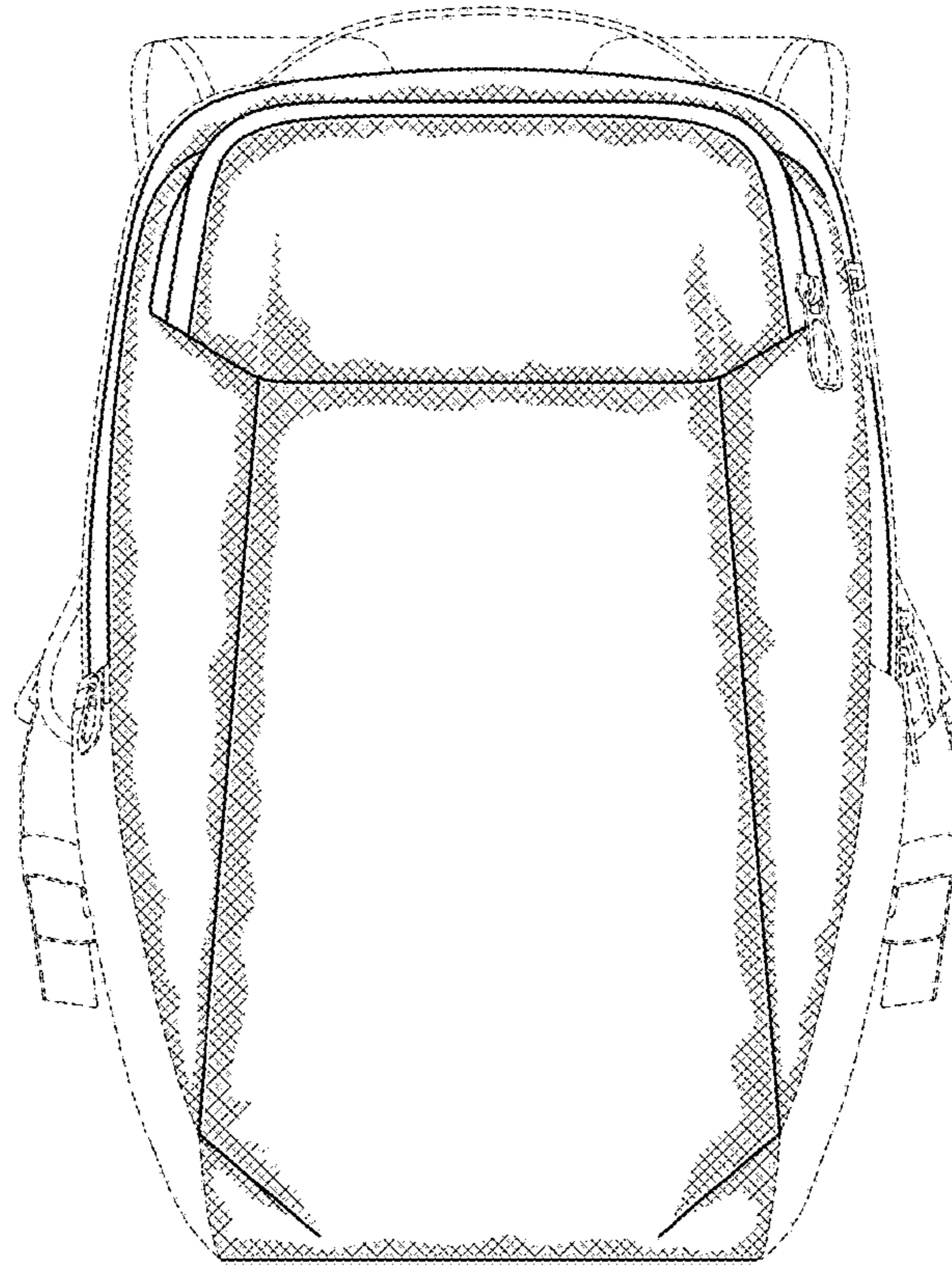


FIG.2

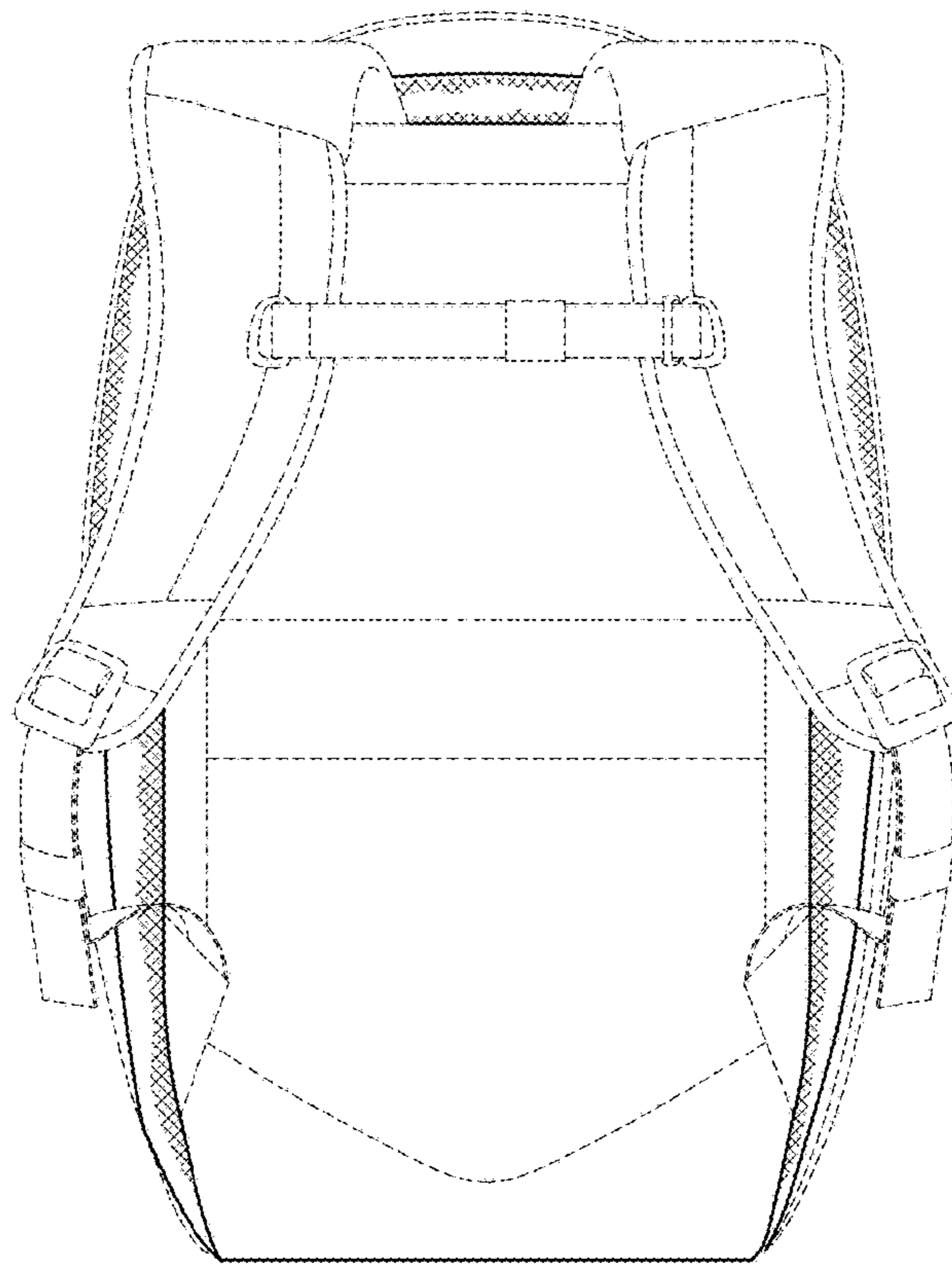


FIG.3

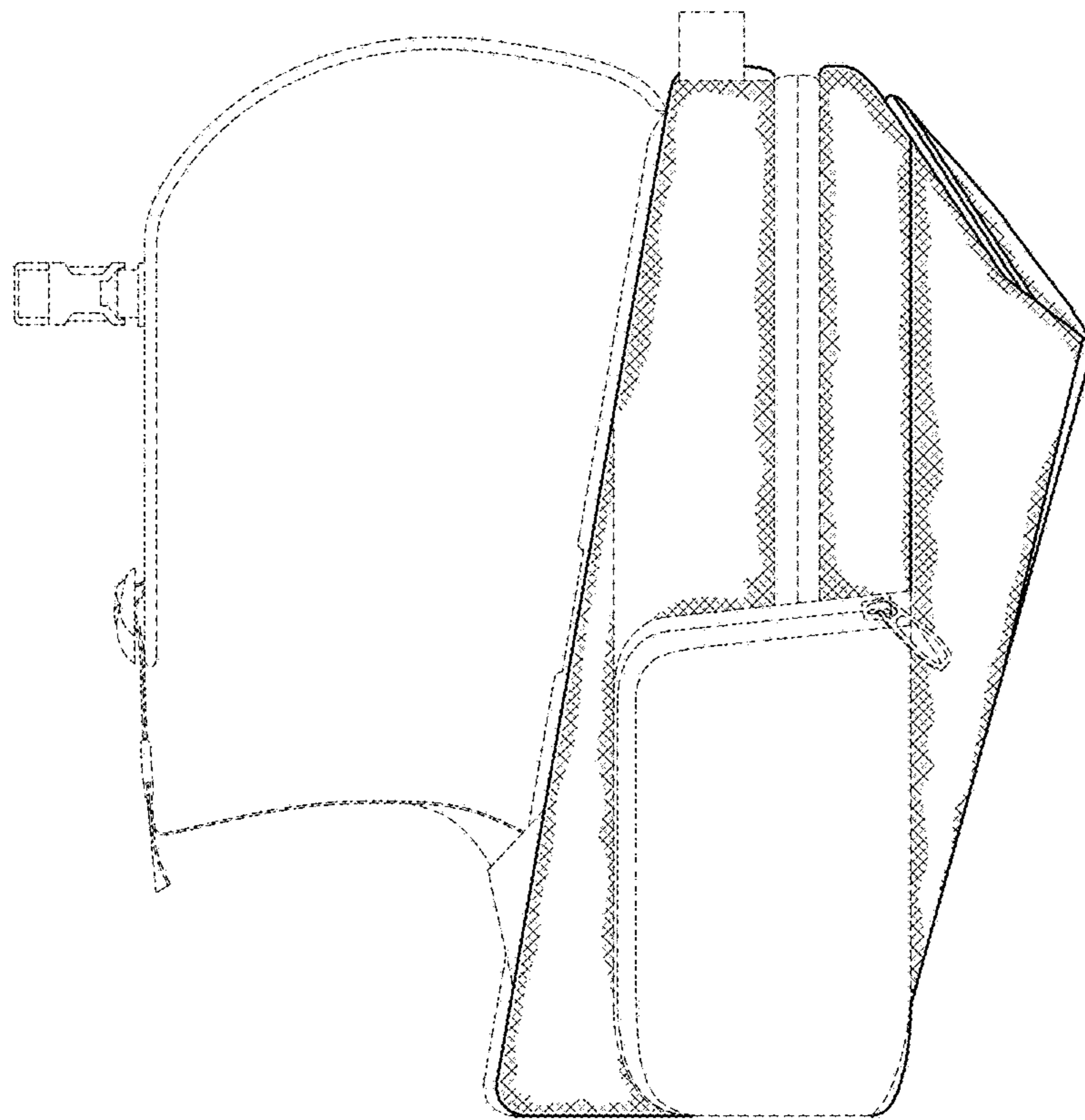


FIG.4

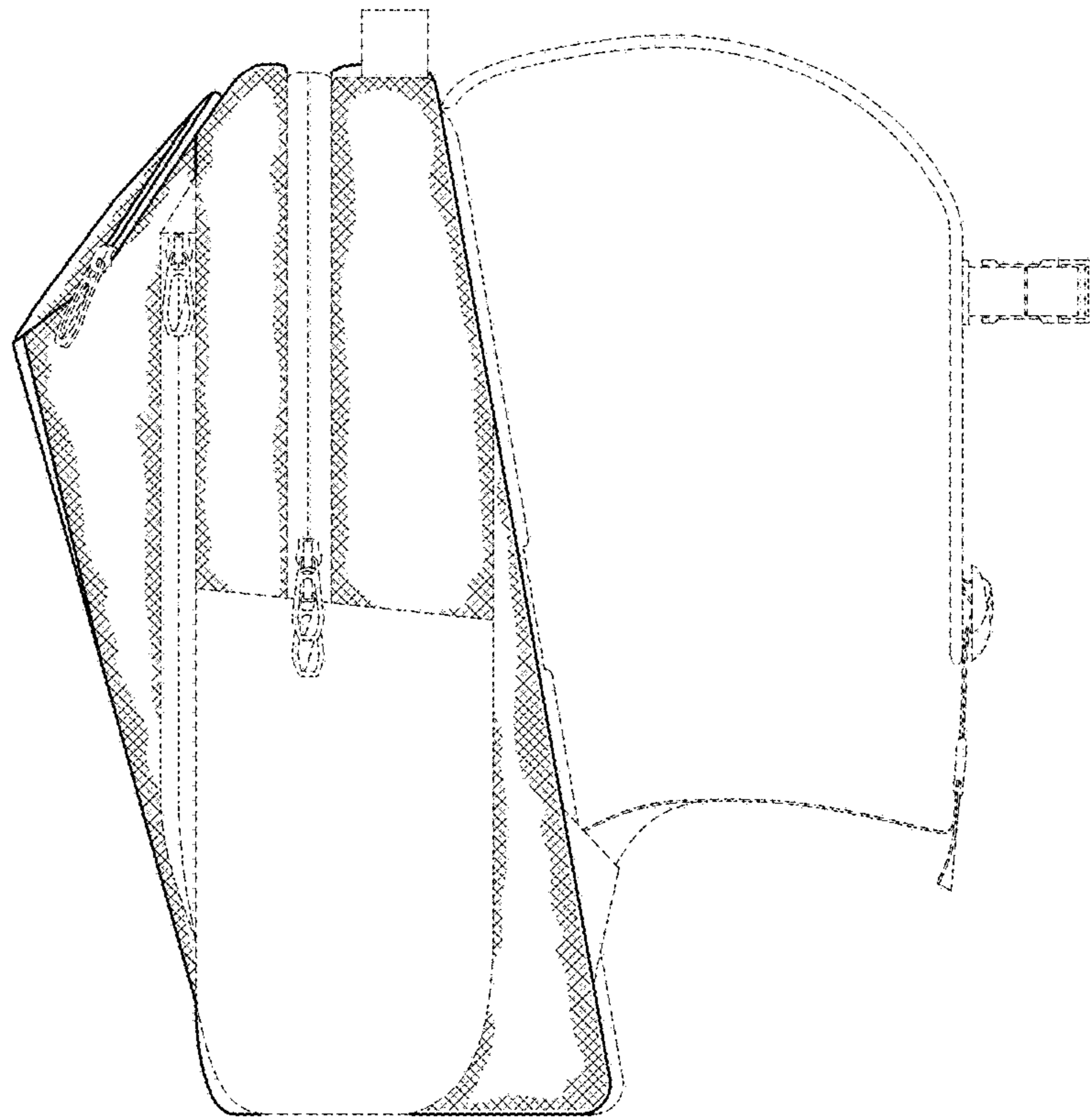


FIG.5

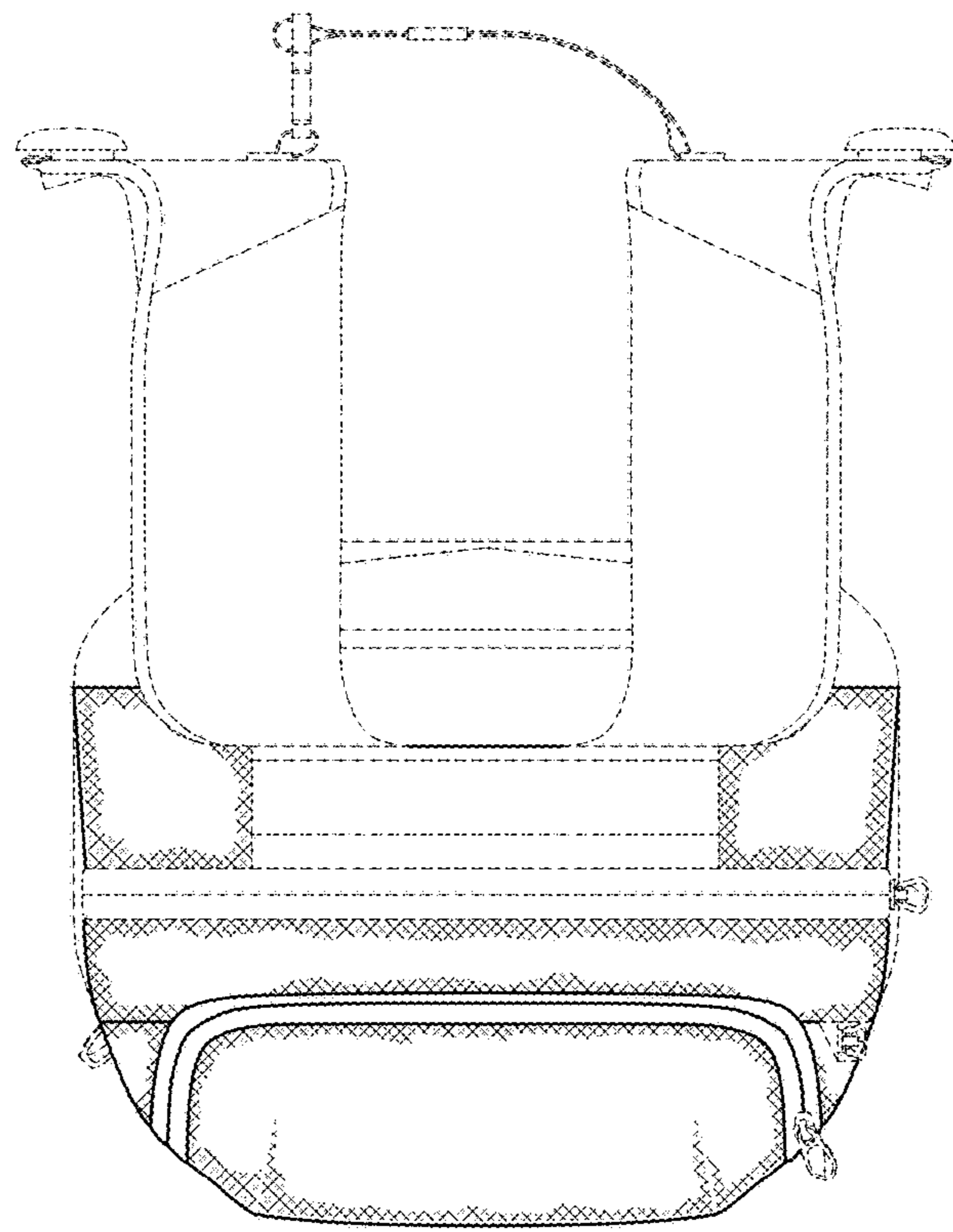


FIG. 6

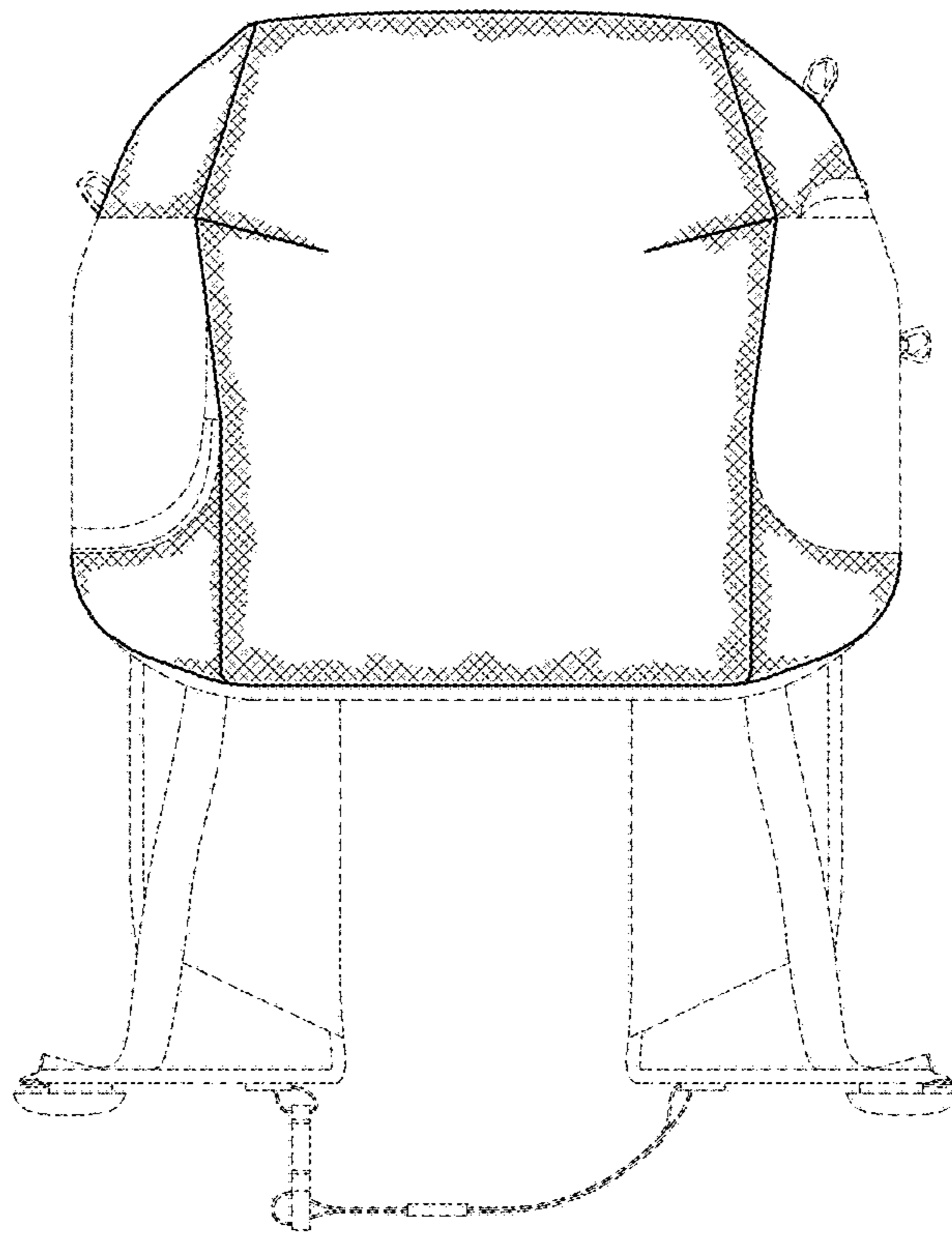


FIG. 7