



US00D857375S

(12) **United States Design Patent**
Case et al.

(10) **Patent No.:** **US D857,375 S**

(45) **Date of Patent:** **** Aug. 27, 2019**

(54) **WATERPROOF TOILETRY BAG**

(71) Applicant: **Nite Ize, Inc.**, Boulder, CO (US)

(72) Inventors: **Rick Case**, Boulder, CO (US); **Michael C. Boyd**, Boulder, CO (US); **Bowden Ormsbee**, Longmont, CO (US); **Dale Karacostas**, Boulder, CO (US); **Clint Todd**, Boulder, CO (US); **Carley Mulder**, Boulder, CO (US)

(73) Assignee: **Nite Ize, Inc.**, Boulder, CO (US)

(**) Term: **15 Years**

(21) Appl. No.: **29/672,453**

(22) Filed: **Dec. 5, 2018**

(51) **LOC (12) Cl.** **03-03**

(52) **U.S. Cl.**
USPC **D3/205**

(58) **Field of Classification Search**
USPC D3/305, 306
CPC A47K 17/00; A45C 7/009; A45C 7/0077;
A45C 3/04
See application file for complete search history.

(56) **References Cited**

U.S. PATENT DOCUMENTS

D106,132 S * 9/1937 Doppelt D3/301
D377,861 S * 2/1997 Jacober D3/203.1

D453,416 S * 2/2002 Terry D3/205
D494,360 S * 8/2004 Ostermann D3/205
D816,984 S * 5/2018 Jusic D3/205
D819,956 S * 6/2018 Woodard D3/203.6

* cited by examiner

Primary Examiner — Charles D Hanson

(74) *Attorney, Agent, or Firm* — Haynes and Boone, LLP

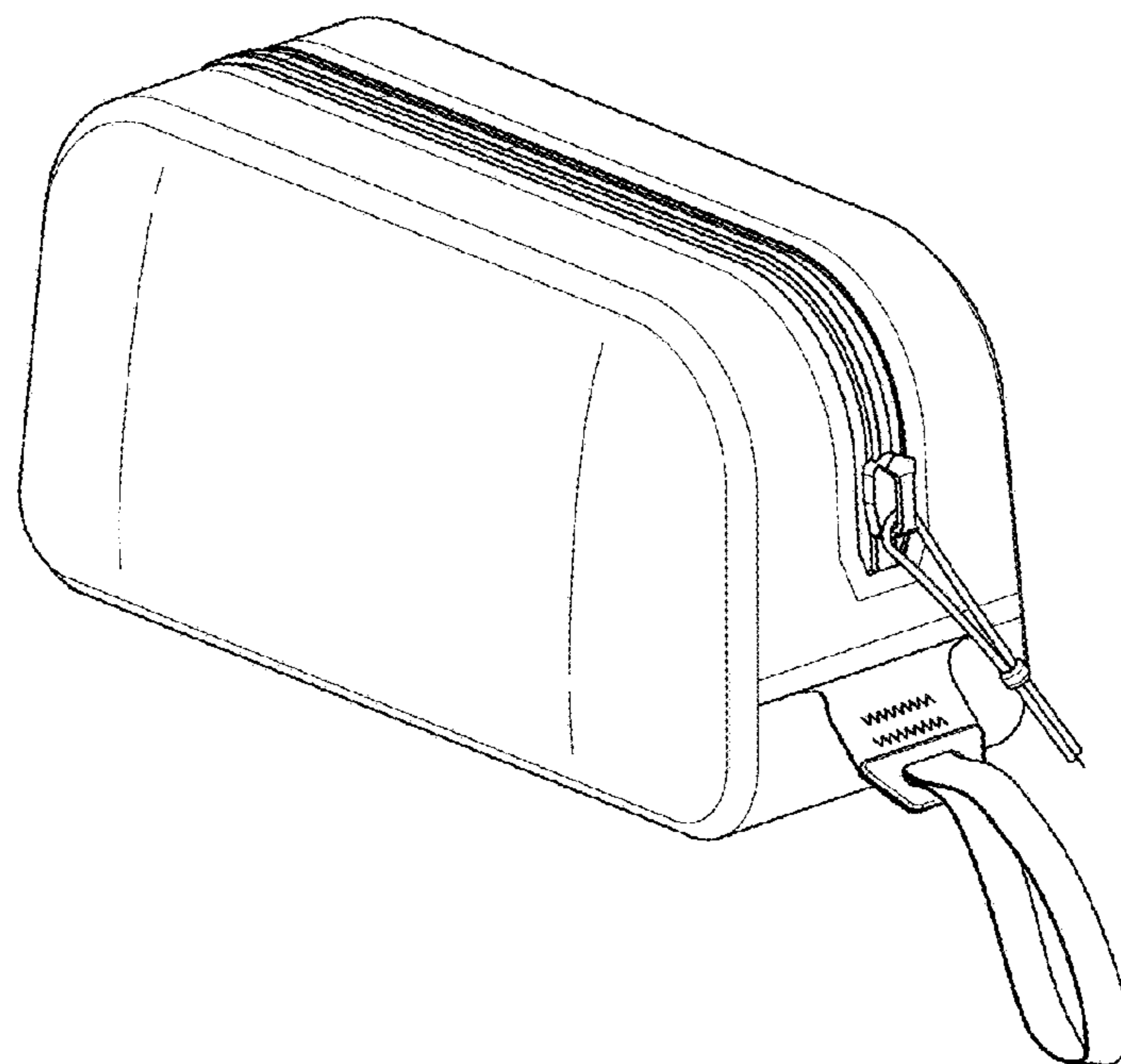
(57) **CLAIM**

The ornamental design for the waterproof toiletry bag, as shown and described.

DESCRIPTION

FIG. 1 shows a front perspective view of a waterproof toiletry bag;
FIG. 2 shows a rear perspective view of the waterproof toiletry bag of FIG. 1;
FIG. 3 shows a front view of the waterproof toiletry bag of FIG. 1;
FIG. 4 shows a rear view of the waterproof toiletry bag of FIG. 1;
FIG. 5 shows a left-side view of the waterproof toiletry bag of FIG. 1;
FIG. 6 shows a right-side view of the waterproof toiletry bag of FIG. 1;
FIG. 7 shows a top view of the waterproof toiletry bag of FIG. 1; and,
FIG. 8 shows a bottom view of the waterproof toiletry bag of FIG. 1.

1 Claim, 4 Drawing Sheets



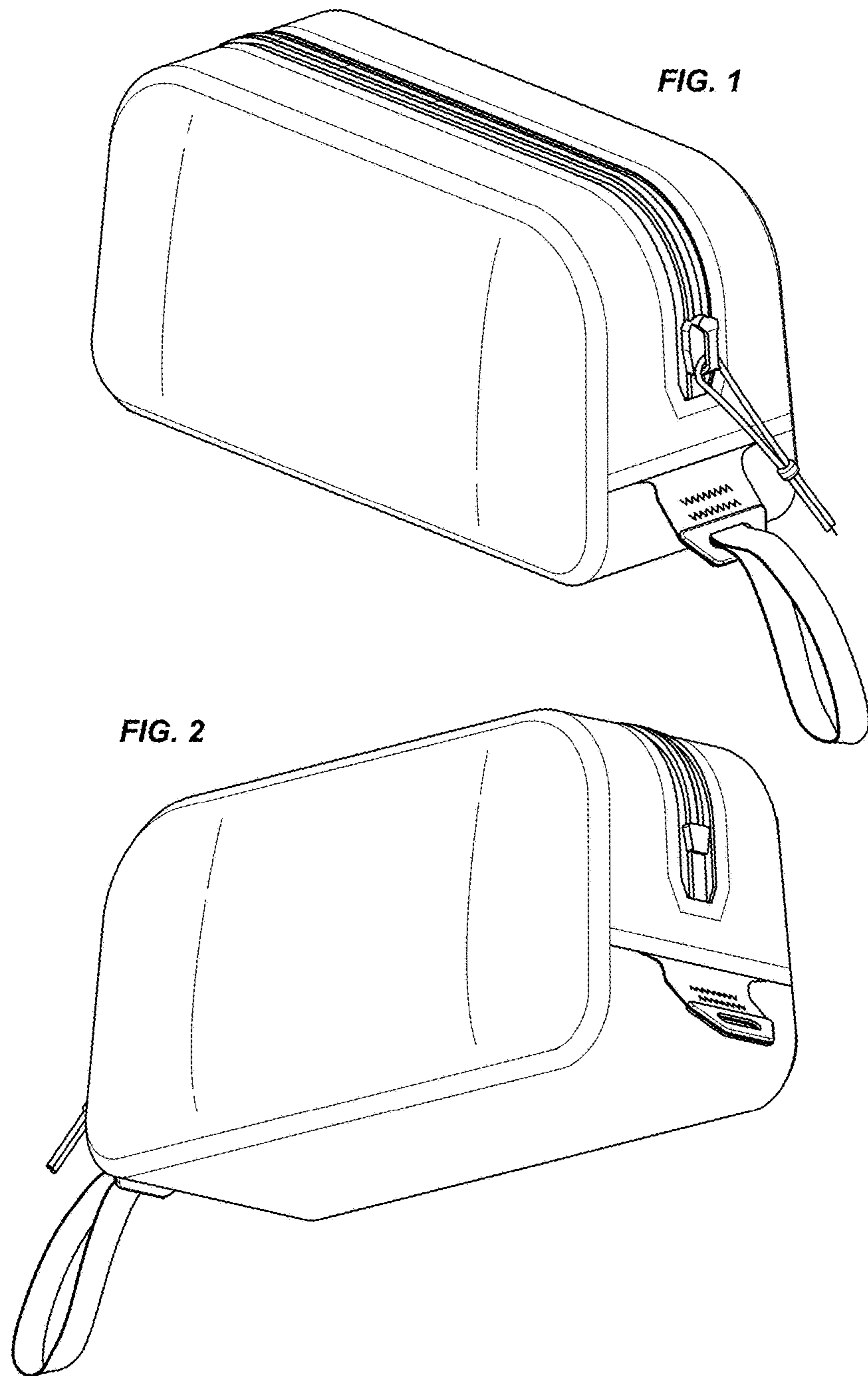


FIG. 3

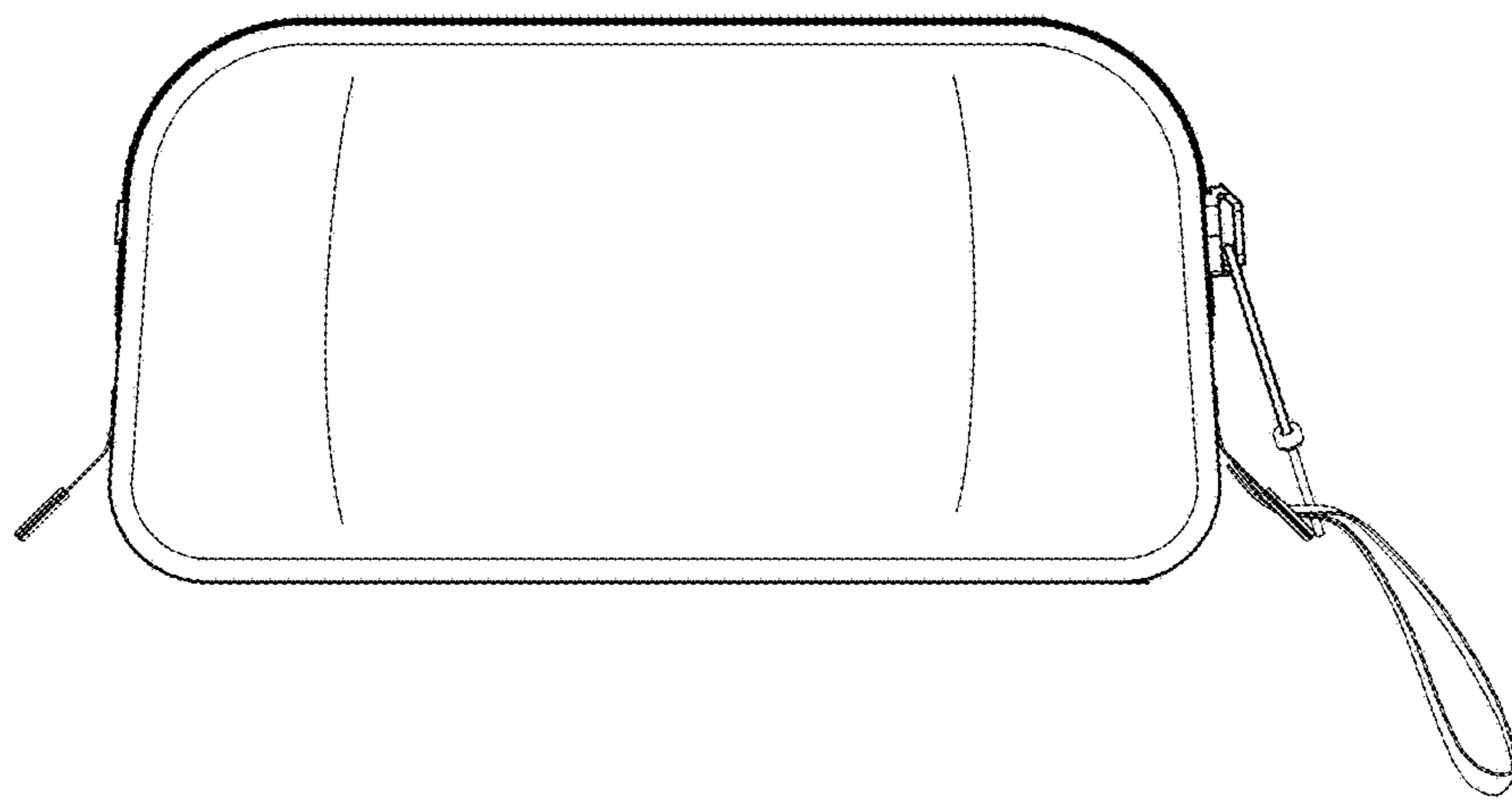


FIG. 4

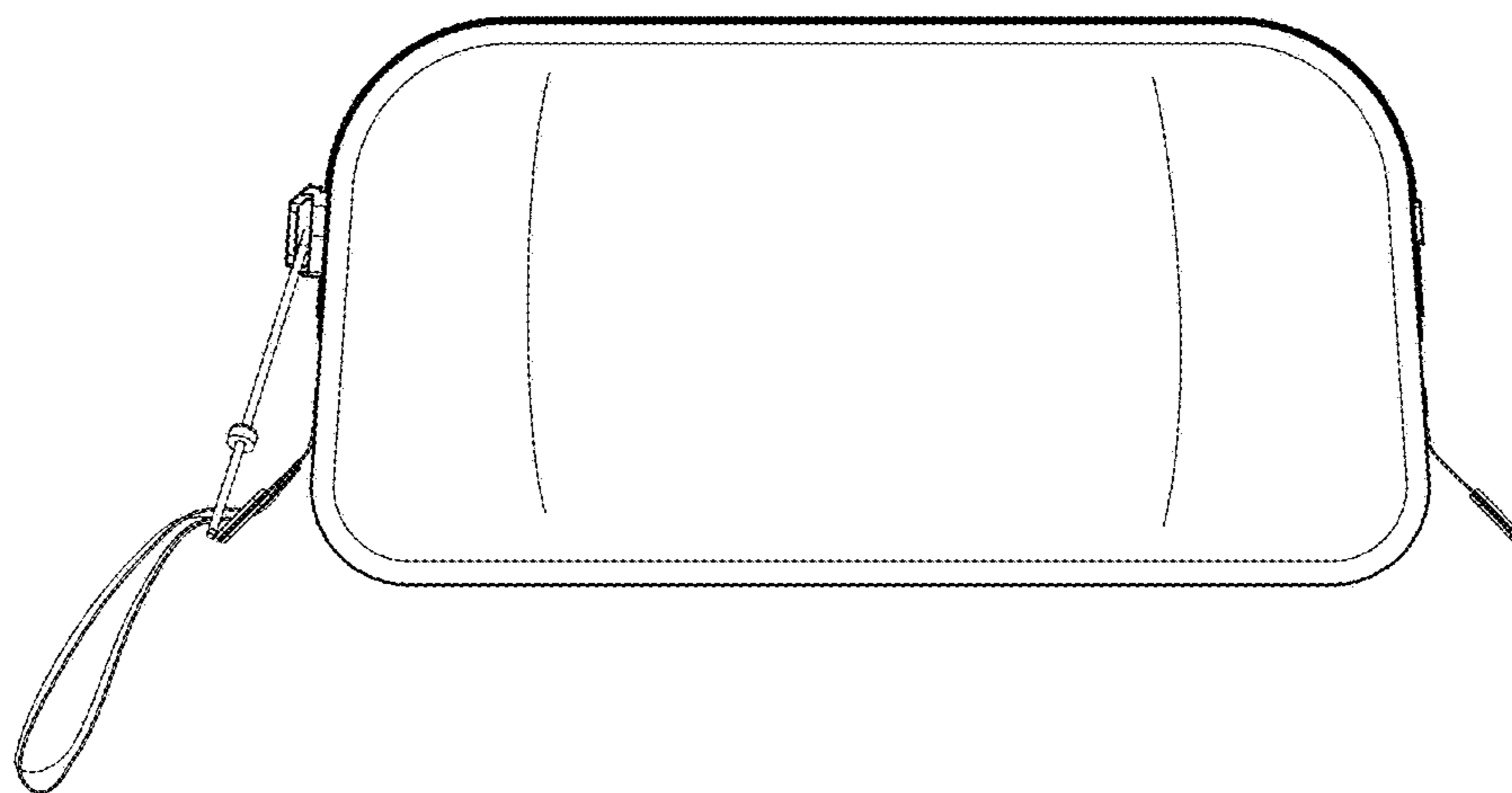


FIG. 5

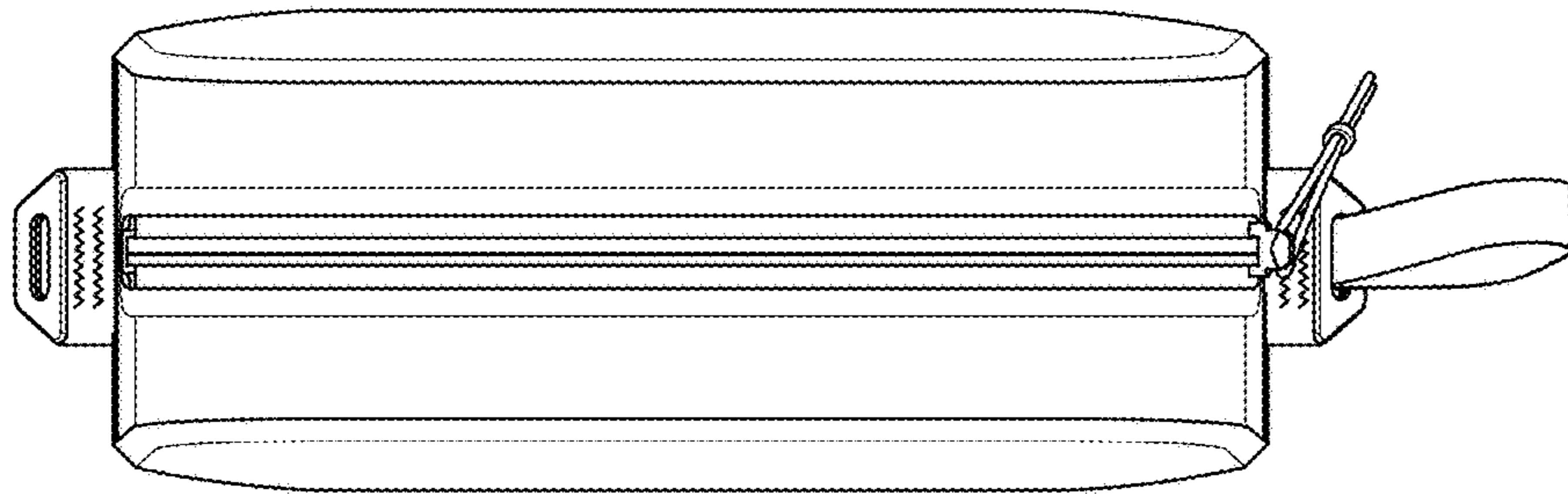


FIG. 6

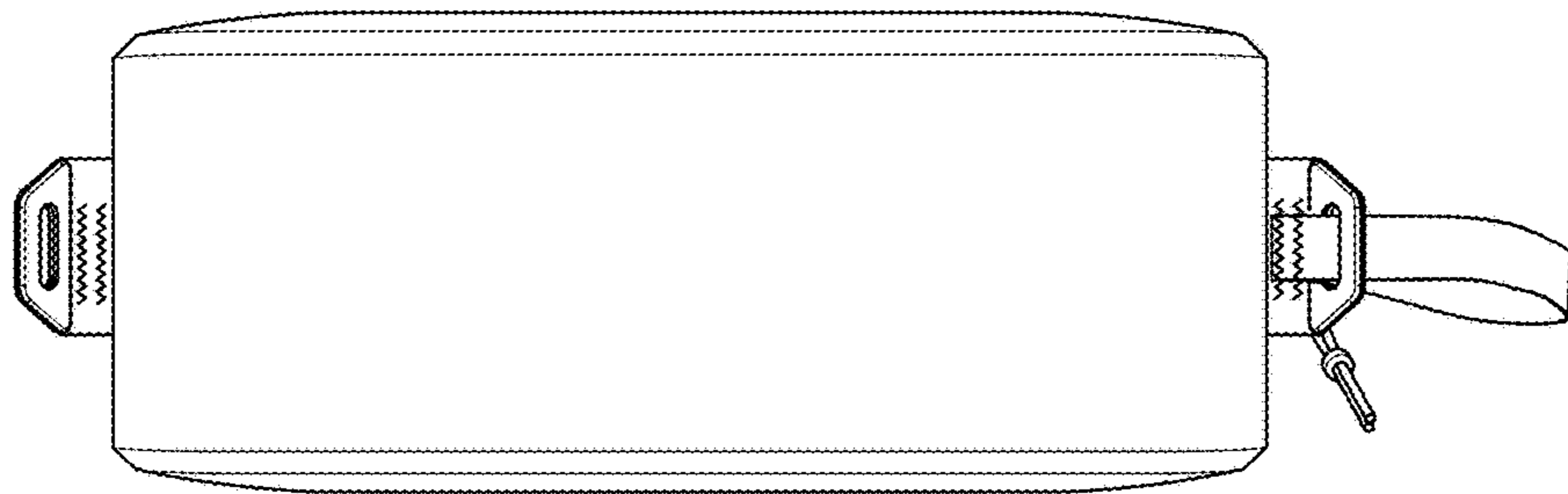


FIG. 7

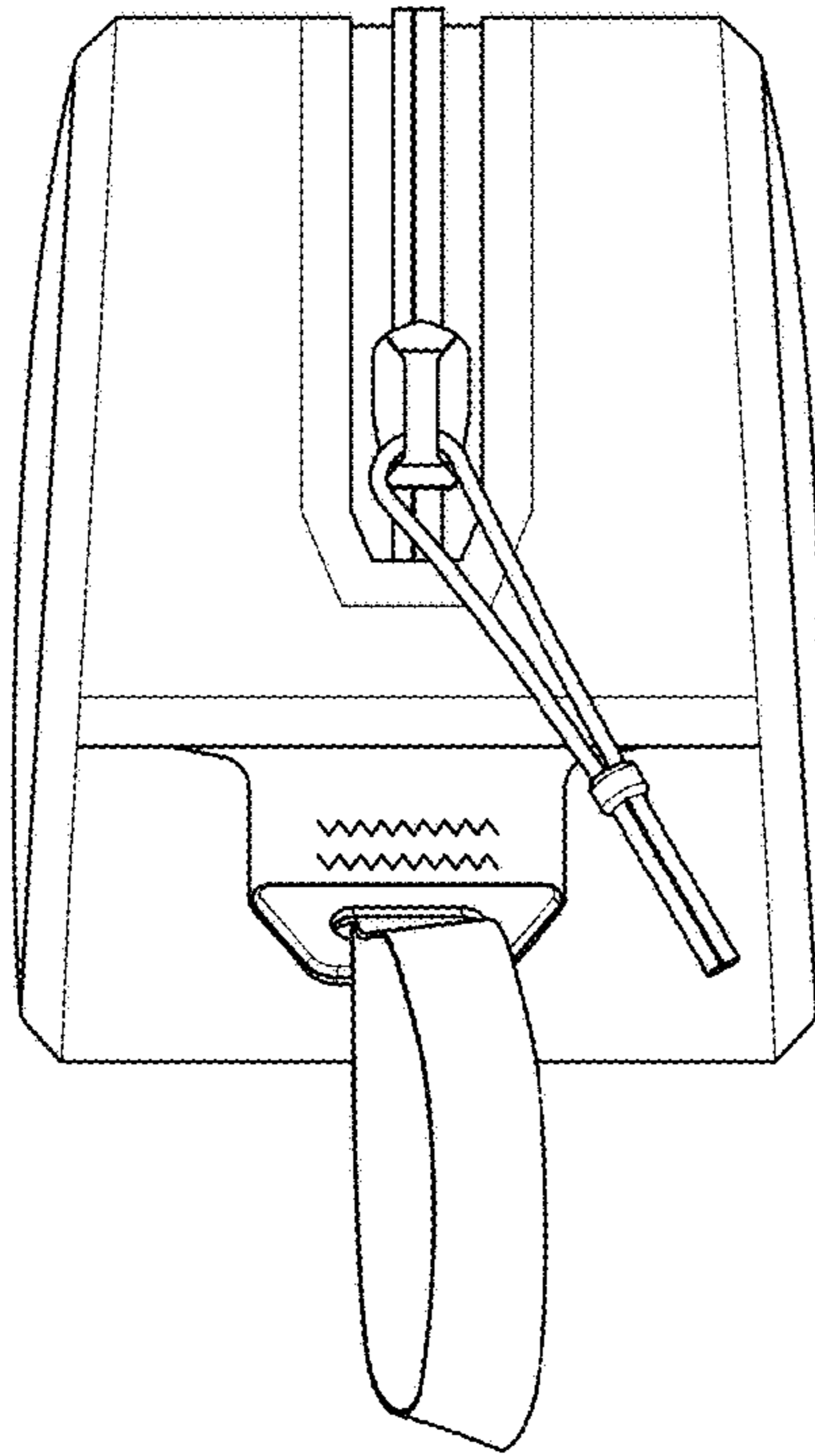


FIG. 8

