



US00D857374S

(12) **United States Design Patent** (10) **Patent No.:** **US D857,374 S**  
**Lane et al.** (45) **Date of Patent:** **\*\* Aug. 27, 2019**

(54) **BEVERAGE CONTAINER** 4,272,768 A \* 6/1981 Rookard, Jr. .... H01Q 15/18  
215/12.2

(71) Applicants: **Marvin Lane**, Wheeling, IL (US);  
**Dwayne Boroski**, Lake in the Hills, IL  
(US); **Jennifer Bae Park**, Chicago, IL  
(US) D315,829 S \* 4/1991 Covington ..... D3/202  
D356,469 S \* 3/1995 Musilli ..... D3/202  
D364,810 S \* 12/1995 Meisner ..... D9/446  
5,819,980 A \* 10/1998 Hill ..... B65D 83/0011  
220/719

(72) Inventors: **Marvin Lane**, Wheeling, IL (US);  
**Dwayne Boroski**, Lake in the Hills, IL  
(US); **Jennifer Bae Park**, Chicago, IL  
(US) D407,210 S \* 3/1999 Lauth, III ..... D3/202  
D412,640 S \* 8/1999 Much ..... D7/392  
D413,432 S \* 9/1999 Much ..... D3/202  
D413,485 S \* 9/1999 Much ..... D7/391  
D443,980 S \* 6/2001 Stewart ..... D3/202  
D510,270 S \* 10/2005 Khalifa ..... D9/503  
D521,230 S \* 5/2006 Linz ..... D3/202  
D536,929 S \* 2/2007 Kingsley ..... D7/510  
D592,958 S \* 5/2009 Perlmutter ..... D9/522  
D598,644 S \* 8/2009 Solari ..... D3/202  
D674,277 S \* 1/2013 Hanson ..... D9/446  
D680,805 S \* 4/2013 Rosbach ..... D7/392.1  
D688,912 S \* 9/2013 Rosbach ..... D7/392.1

(73) Assignee: **Thermos L.L.C.**, Schaumburg, IL (US)

(\*\*) Term: **15 Years**

(21) Appl. No.: **29/643,615**

(22) Filed: **Apr. 10, 2018**

(51) **LOC (12) Cl.** ..... **03-01**

(52) **U.S. Cl.**  
USPC ..... **D3/202**

(58) **Field of Classification Search**  
USPC ..... D3/201, 202; D9/522, 549, 544, 447,  
D9/454, 446, 449  
CPC ..... B65D 1/02; B65D 1/0223; B65D 1/0246;  
B65D 5/643; B65D 5/6614; B65D  
2575/583; B65D 39/0052; B65D 41/04;  
A45F 3/16; A45F 2003/166  
See application file for complete search history.

(56) **References Cited**  
U.S. PATENT DOCUMENTS

D53,666 S \* 7/1919 Schwidetzky et al. .... D9/522  
2,422,747 A \* 6/1947 Prichard ..... A45F 3/18  
106/182.1  
D197,926 S \* 4/1964 Stull et al. .... 220/212  
3,323,684 A \* 6/1967 Furrer ..... A45F 3/16  
210/474  
3,335,917 A \* 8/1967 Knight ..... A45F 3/16  
210/453

(Continued)

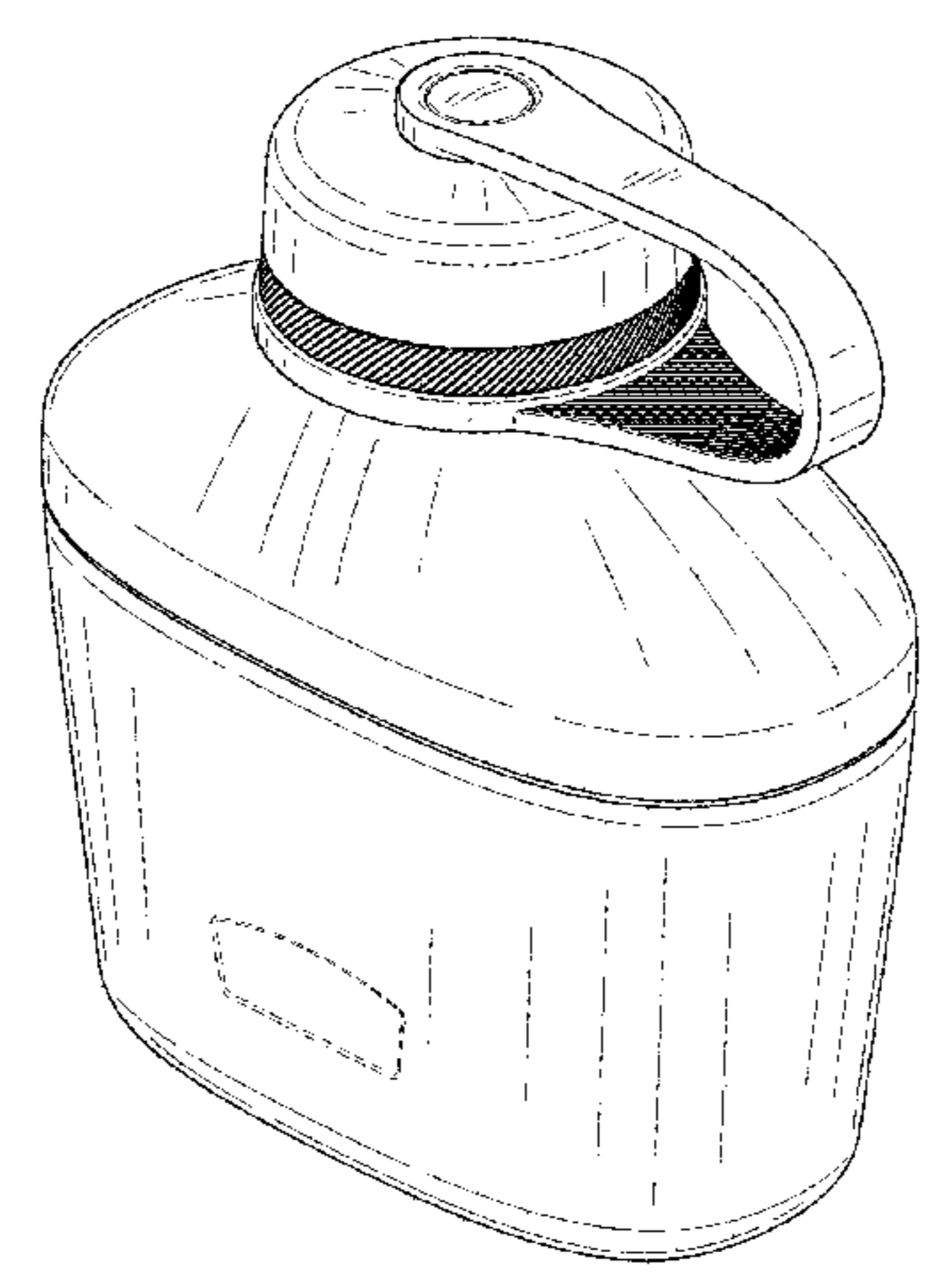
*Primary Examiner* — John Windmuller  
*Assistant Examiner* — Steven J Czyz  
(74) *Attorney, Agent, or Firm* — Polsinelli PC

(57) **CLAIM**  
The ornamental design for a beverage container, as shown and described.

**DESCRIPTION**

FIG. 1 is a top perspective view of a beverage container; FIG. 2 is a bottom perspective view thereof; FIG. 3 is a front view thereof; FIG. 4 is a rearview thereof; FIG. 5 is a left side view thereof; FIG. 6 is a right side view thereof; and FIG. 7 is a top view thereof; and, FIG. 8 is a bottom view thereof. The broken lines depict portions of the article that form no part of the claimed design.

**1 Claim, 7 Drawing Sheets**



(56)

**References Cited**

U.S. PATENT DOCUMENTS

D702,433 S \* 4/2014 Romley ..... D3/202  
D718,044 S \* 11/2014 Vargo ..... D3/202  
D720,923 S \* 1/2015 Hadden ..... D3/202  
9,067,804 B2 \* 6/2015 Jones ..... C02F 1/002  
D739,651 S \* 9/2015 Hadden ..... D3/202  
D746,261 S \* 12/2015 Silvera ..... D14/207  
D769,671 S \* 10/2016 Bielawski ..... D7/392.1  
D806,379 S \* 1/2018 Korfonta ..... D3/202  
D806,468 S \* 1/2018 Goodwin ..... D7/392.1  
D812,894 S \* 3/2018 Hume ..... D3/202  
D816,983 S \* 5/2018 LiCalsi ..... D3/202  
D833,230 S \* 11/2018 Libby ..... D7/608  
D836,904 S \* 1/2019 Arman ..... D3/202  
2010/0050684 A1 \* 3/2010 Vickroy ..... F25D 7/00  
62/457.3

\* cited by examiner

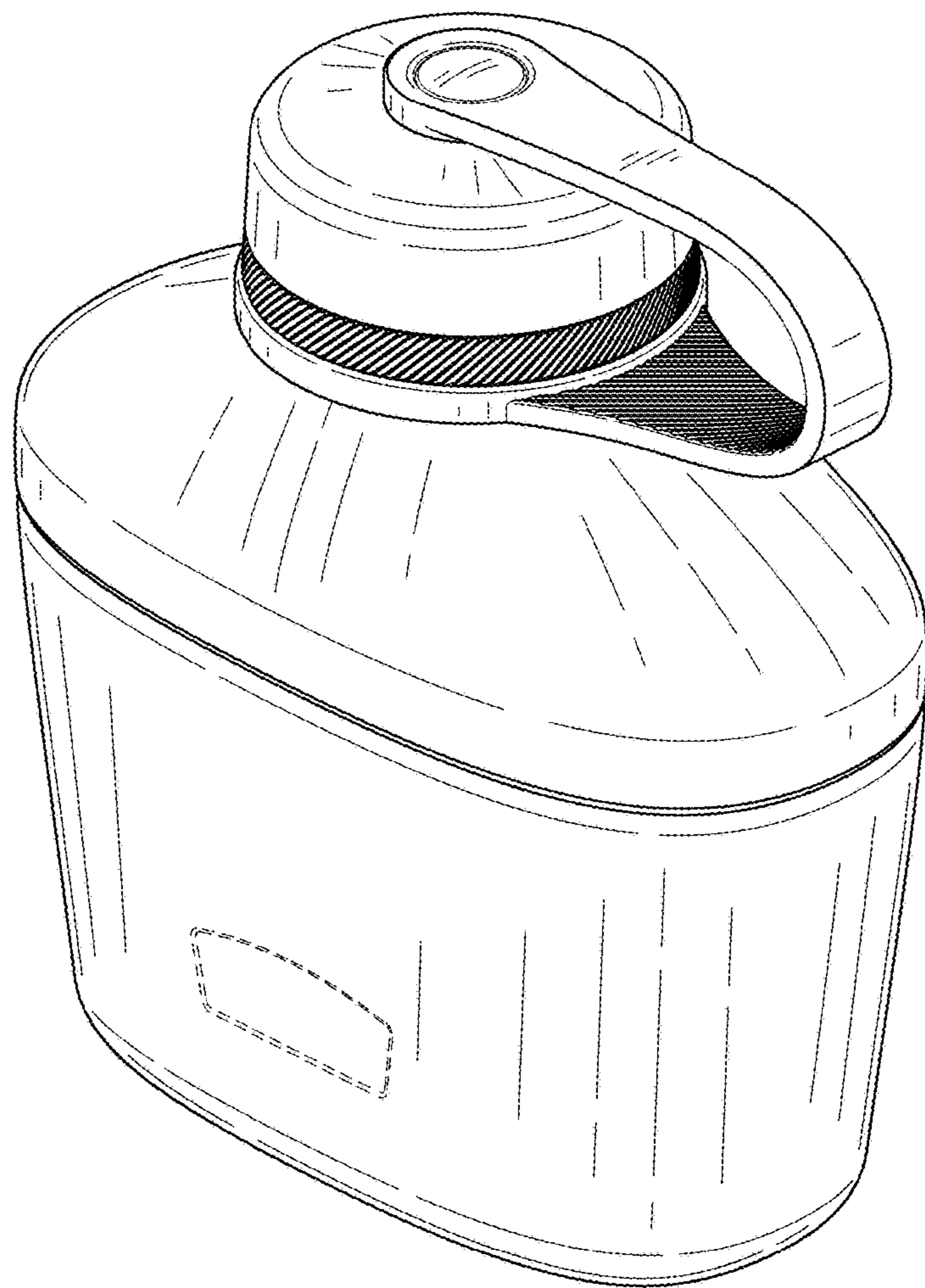


FIG. 1

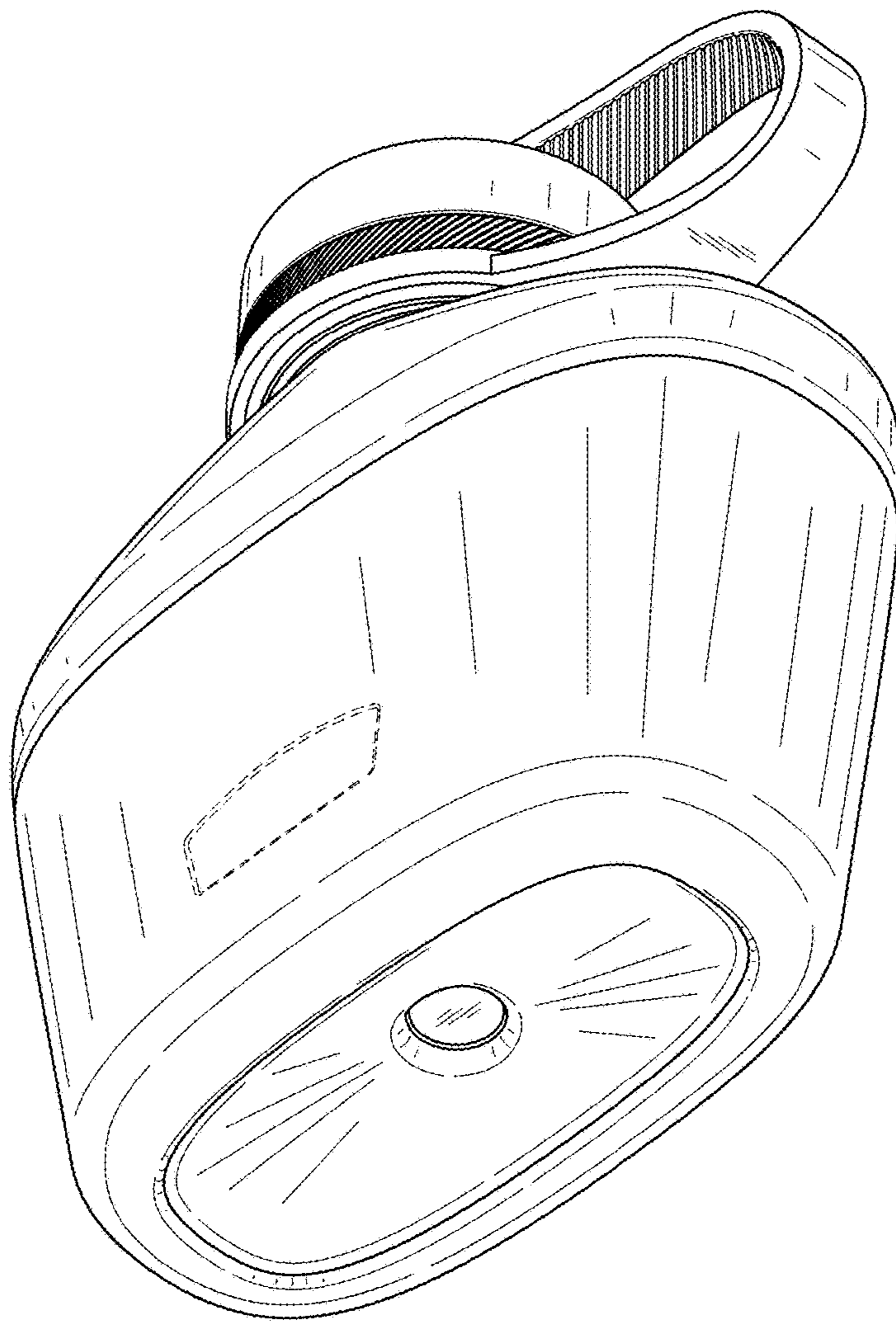


FIG. 2

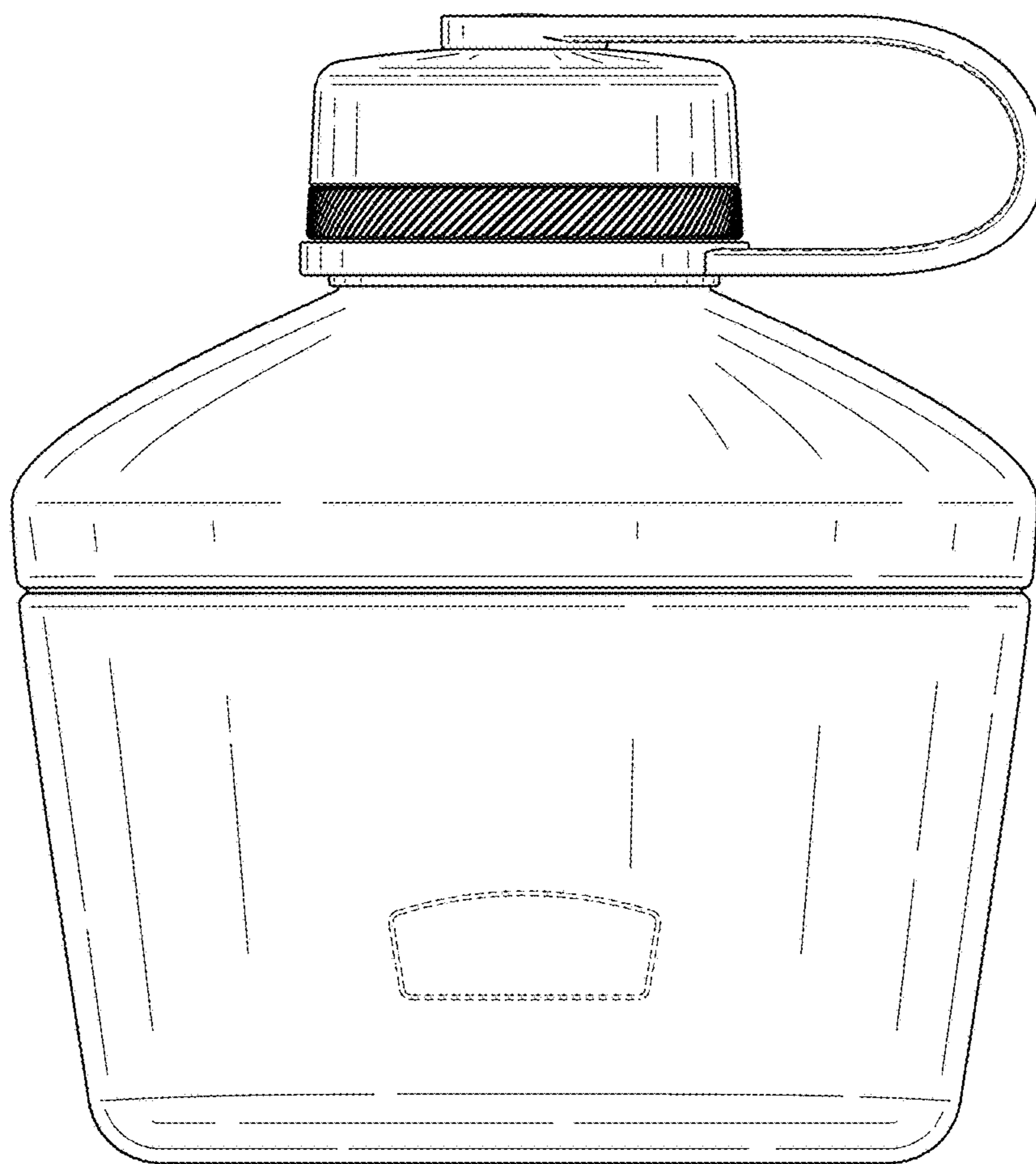


FIG. 3

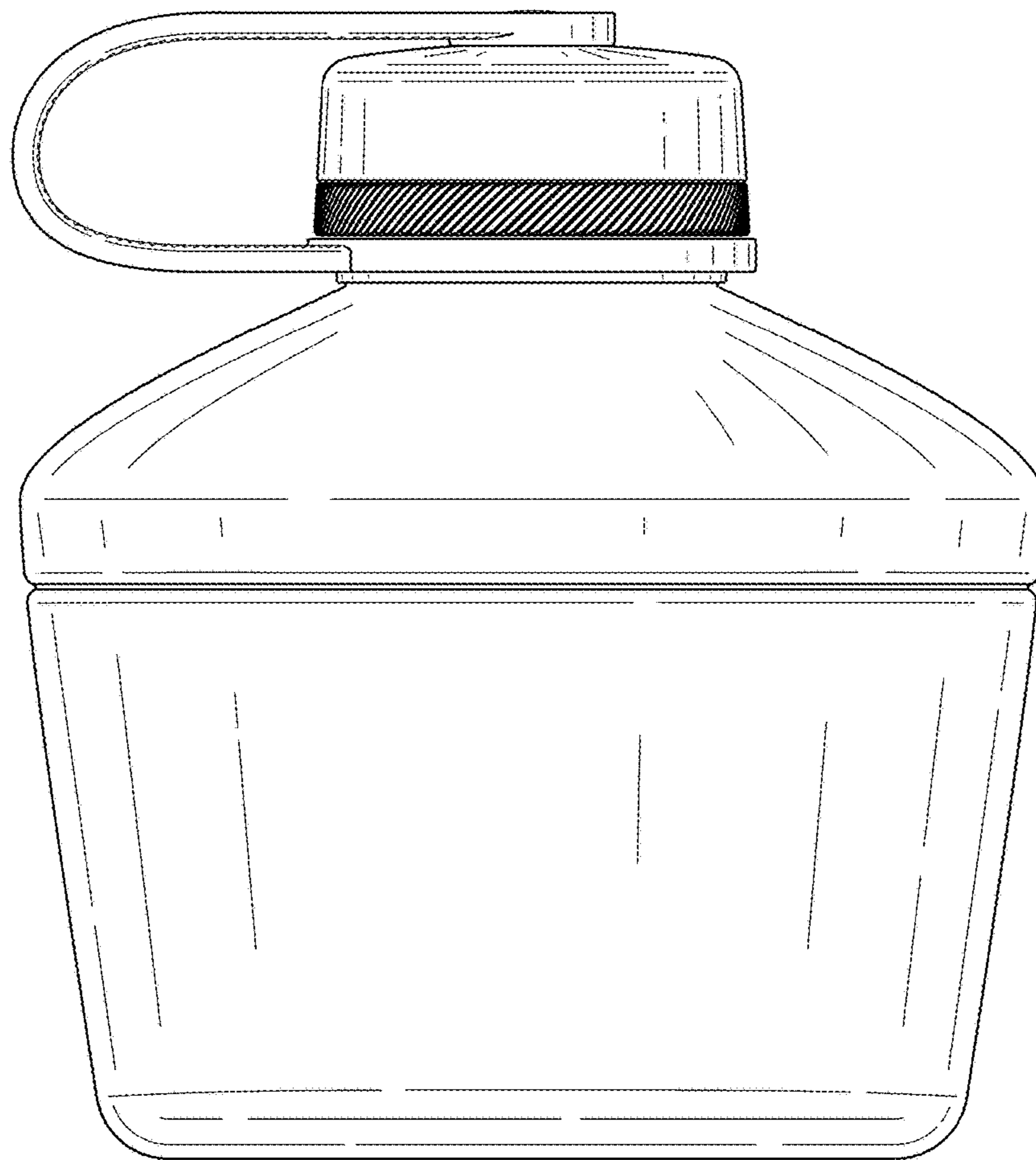


FIG. 4

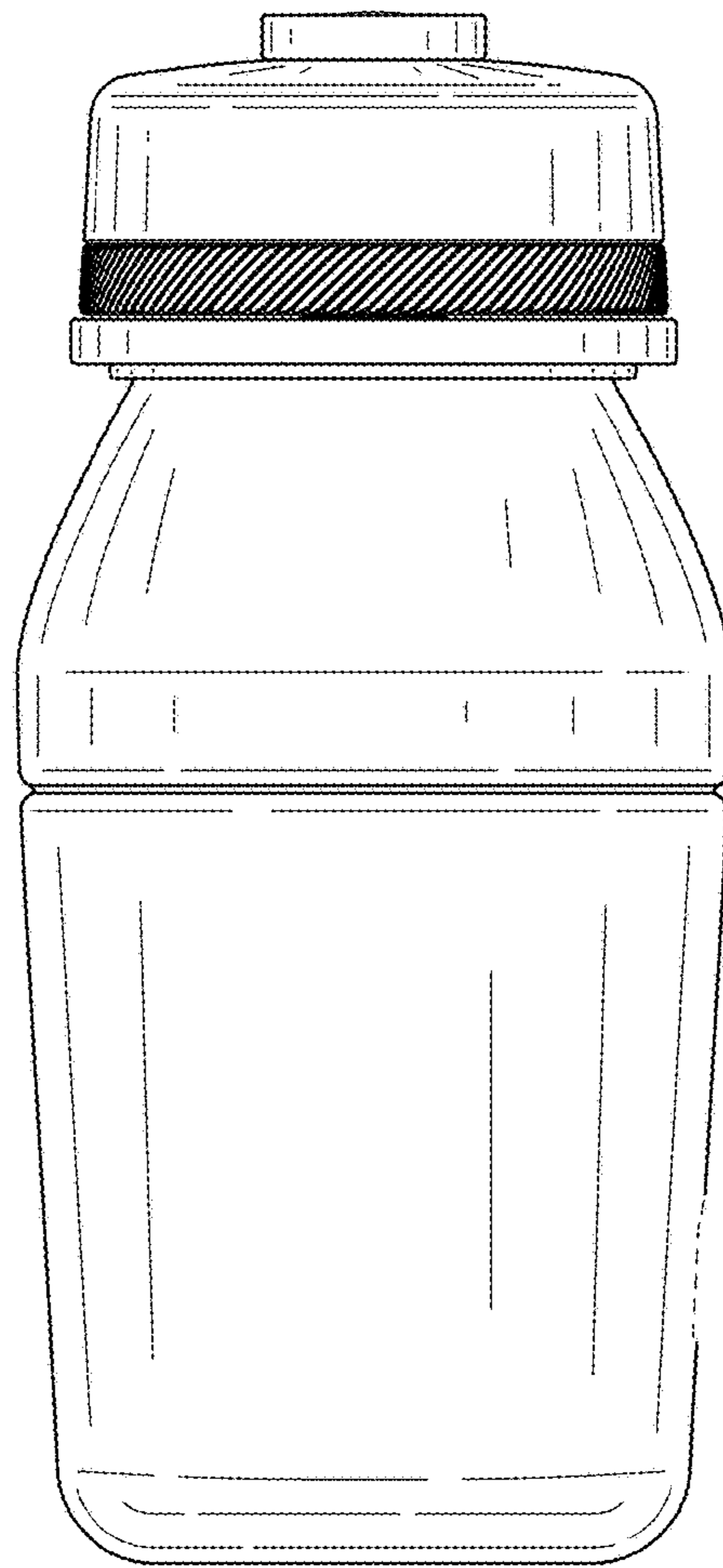


FIG. 5

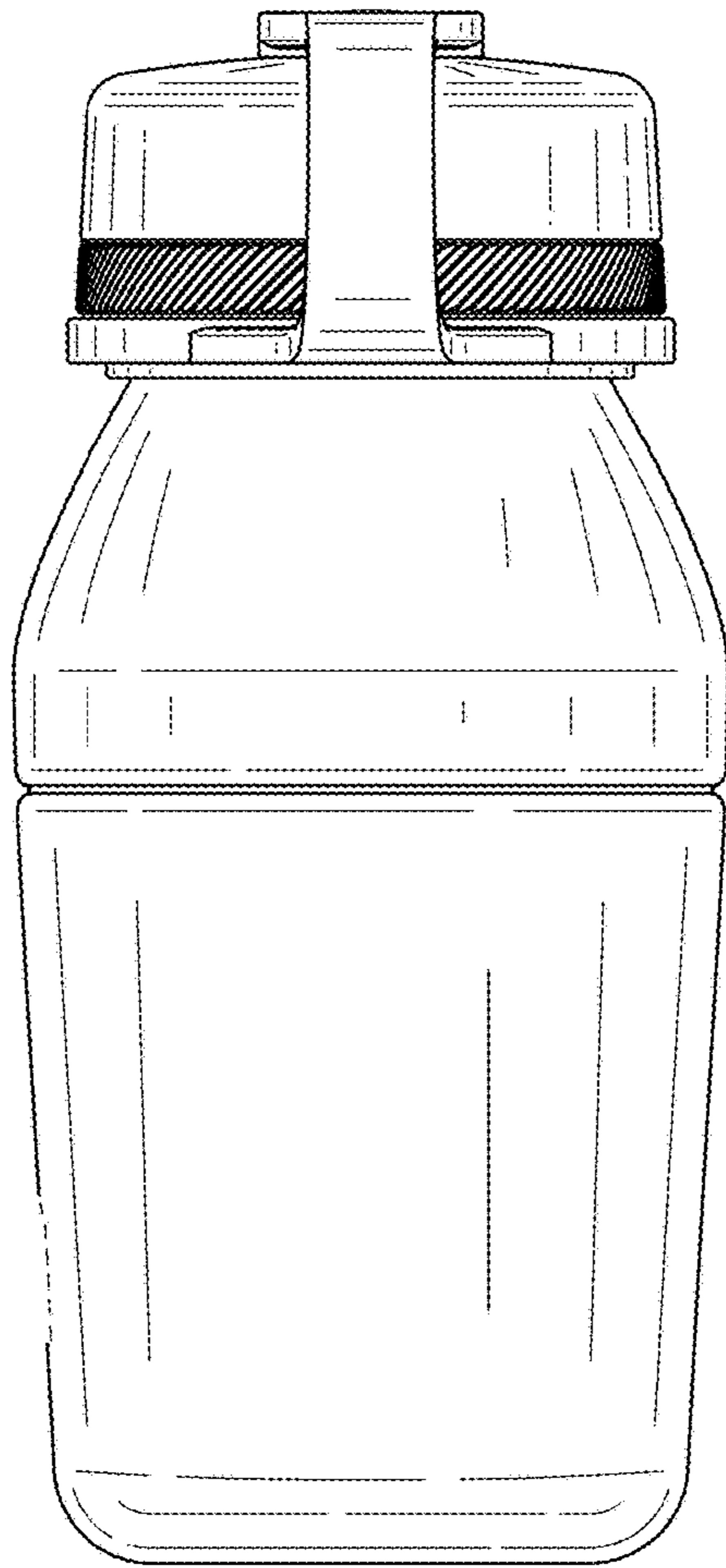


FIG. 6



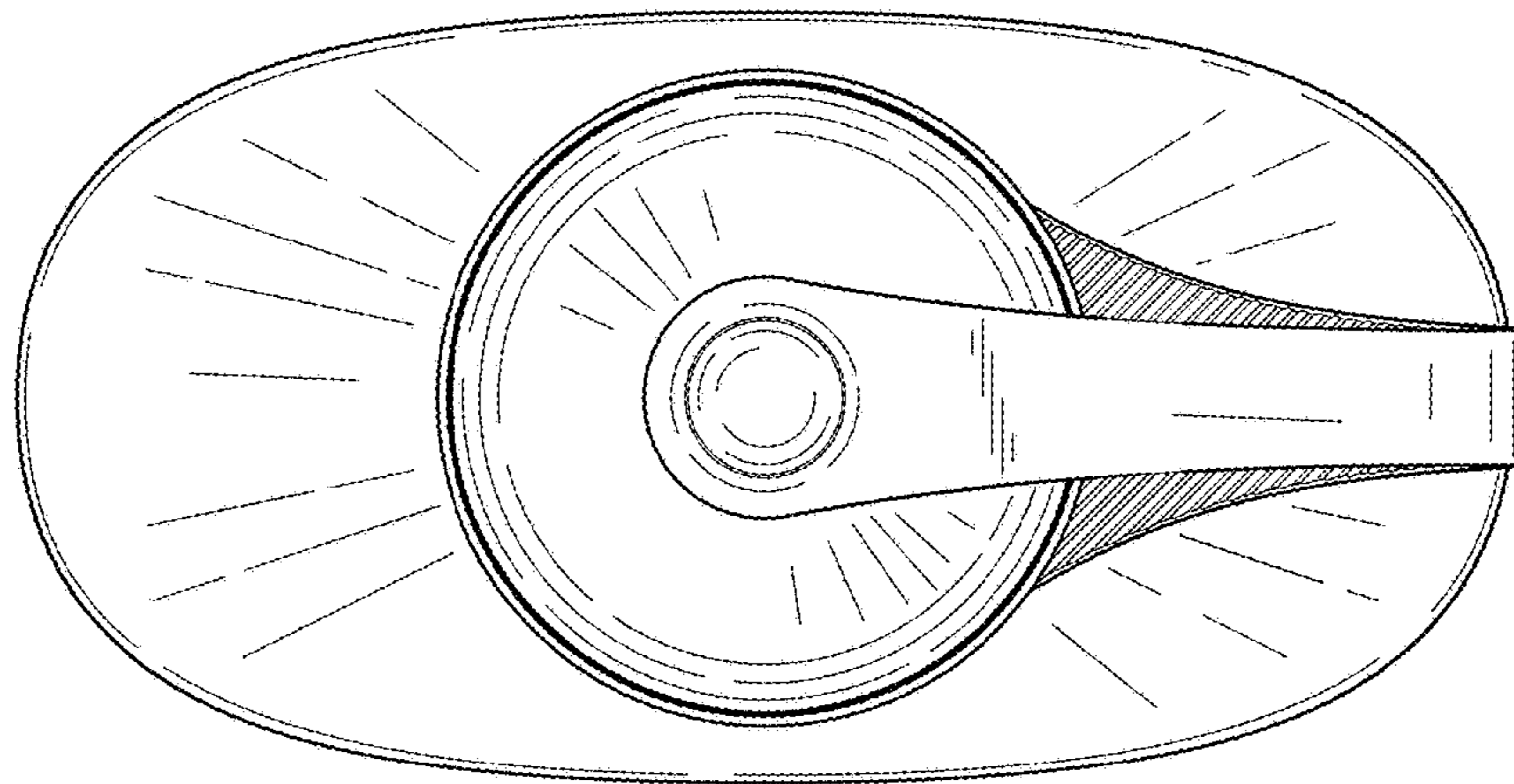


FIG. 7

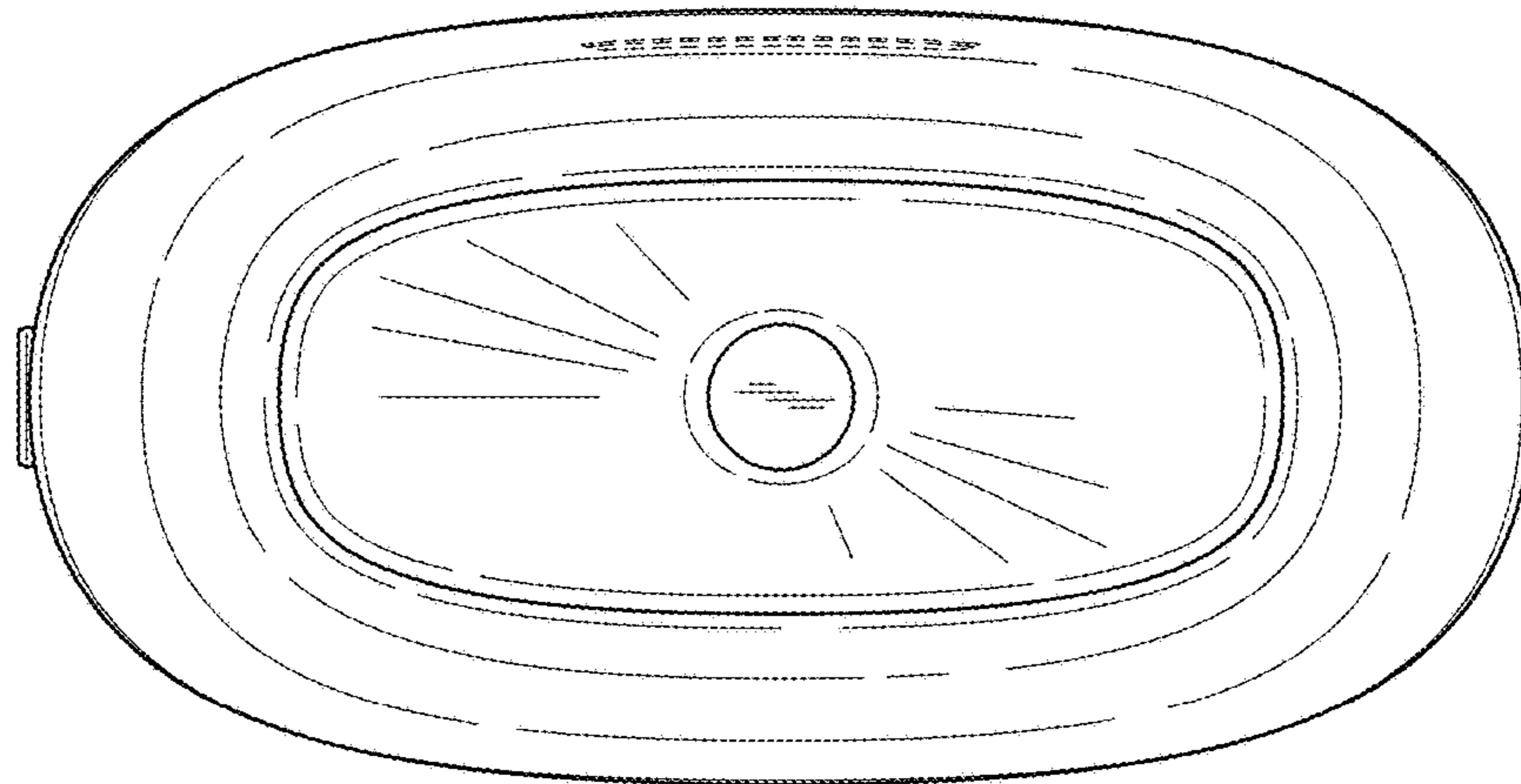


FIG. 8