



US00D857343S

(12) **United States Design Patent** (10) **Patent No.:** **US D857,343 S**
Tseng (45) **Date of Patent:** **** Aug. 27, 2019**

(54) **SOLAR ENERGY HAT WITH FAN**

- (71) Applicant: **Cheng-Te Tseng**, Miaoli (TW)
- (72) Inventor: **Cheng-Te Tseng**, Miaoli (TW)
- (73) Assignee: **Cheng-Te Tseng**, Miaoli (TW)
- (**) Term: **15 Years**

(21) Appl. No.: **29/615,976**

(22) Filed: **Sep. 1, 2017**

(51) **LOC (12) Cl.** **02-03**

(52) **U.S. Cl.**
USPC **D2/866**

(58) **Field of Classification Search**
 USPC D2/865, 866, 869, 872, 873, 876, 878,
 D2/879, 882, 886, 888, 890, 891, 895;
 D29/102
 CPC A42B 1/00; A42B 1/004; A42B 1/006;
 A42B 1/008; A42B 3/00; A42B 3/04;
 A42B 3/0406; A42B 1/10; A42B 1/24
 See application file for complete search history.

(56) **References Cited**

U.S. PATENT DOCUMENTS

D297,584 S *	9/1988	Lenox	D2/866
D350,427 S *	9/1994	Vig	2/175.1
D411,756 S *	7/1999	Land	D2/866
D474,326 S *	5/2003	Williams	D2/886
7,143,451 B2 *	12/2006	Lundgren	A42B 3/28 2/171.3
7,290,292 B1 *	11/2007	Nellon	A42C 5/04 2/171.3
7,454,799 B2 *	11/2008	Wuensche	A42B 1/225 2/171
D600,412 S *	9/2009	Ochoa	D29/102
D712,634 S *	9/2014	Rivera	D2/866
D714,031 S *	9/2014	Javits, Jr.	D2/886
D723,769 S *	3/2015	Land	D2/866

OTHER PUBLICATIONS

Kool Breeze Solar Hat Quick Review!, [on-line video]; [published to the Internet on Jul. 28, 2017]; [retrieved from the Internet on Nov. 7, 2018]; URL: https://www.youtube.com/watch?v=0gMz_KFgzNg. (3 pgs). (Year: 2017).*

Kool Breeze Solar Hat, [on-line photo]; [published to the Internet on Jun. 11, 2013]; [retrieved from the Internet on Nov. 7, 2018]; URL: <https://www.facebook.com/KoolBreezeSolarHat/photos/a.399015460196361/427886460642594/?type=3&theater>. (1 pg). (Year: 2013).*

* cited by examiner

Primary Examiner — Karen S Acker
Assistant Examiner — Jasmine Mlinarcik

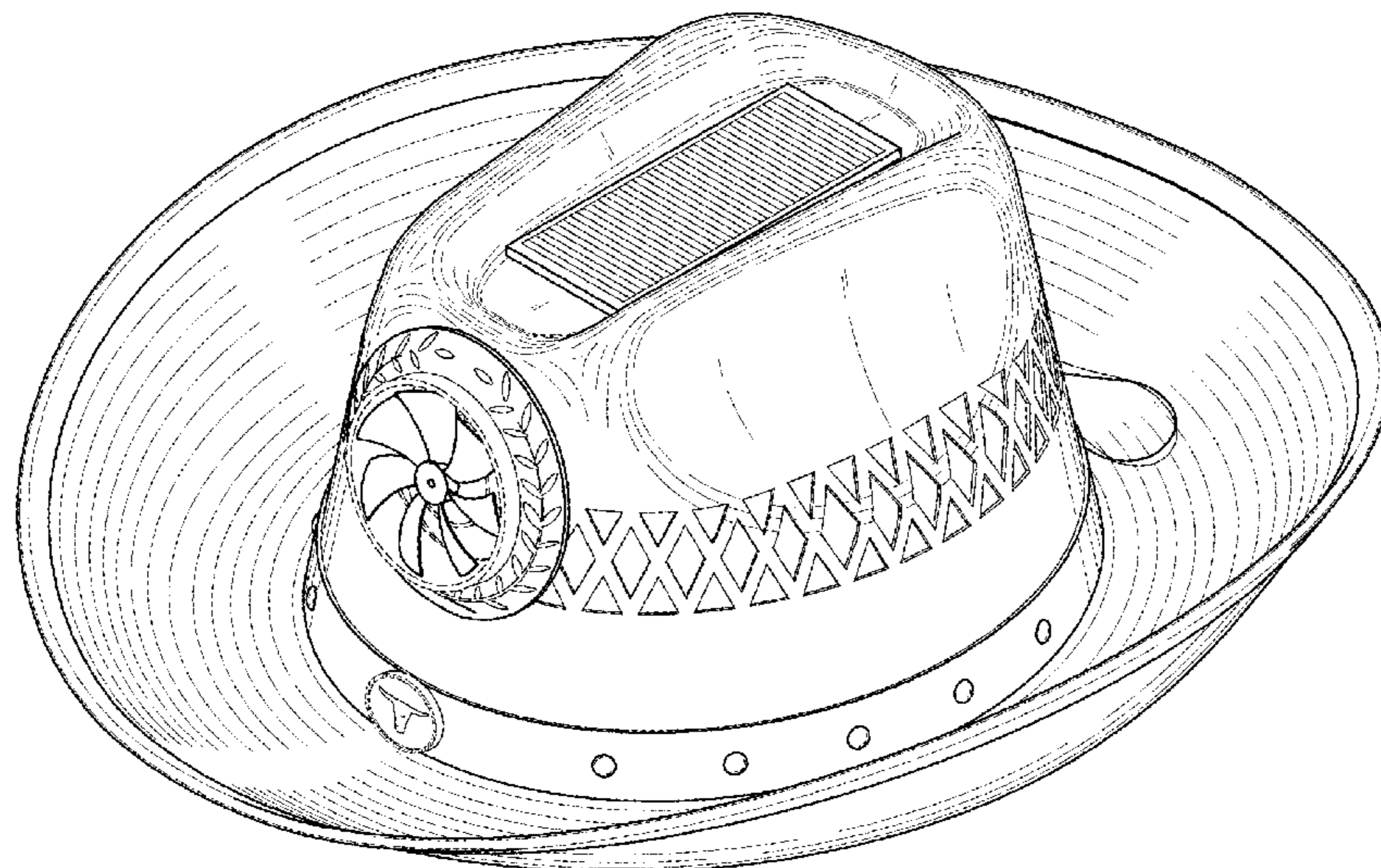
(57) **CLAIM**

The ornamental design for a solar energy hat with fan, as shown and described.

DESCRIPTION

FIG. 1 is a perspective view of a solar energy hat with fan showing my new design;
 FIG. 2 is a front elevation view thereof;
 FIG. 3 is a rear elevation view thereof;
 FIG. 4 is a right-side elevation view thereof;
 FIG. 5 is a left side elevation view thereof;
 FIG. 6 is a top plan view thereof;
 FIG. 7 is a bottom plan view thereof; and,
 FIG. 8 is a perspective view thereof.
 The drawing defined by broken lines depicts environmental structure that forms no part of the claimed design. The broken lines of the fan illustrate portions of the solar energy hat with fan that form no part of the claimed design.

1 Claim, 8 Drawing Sheets



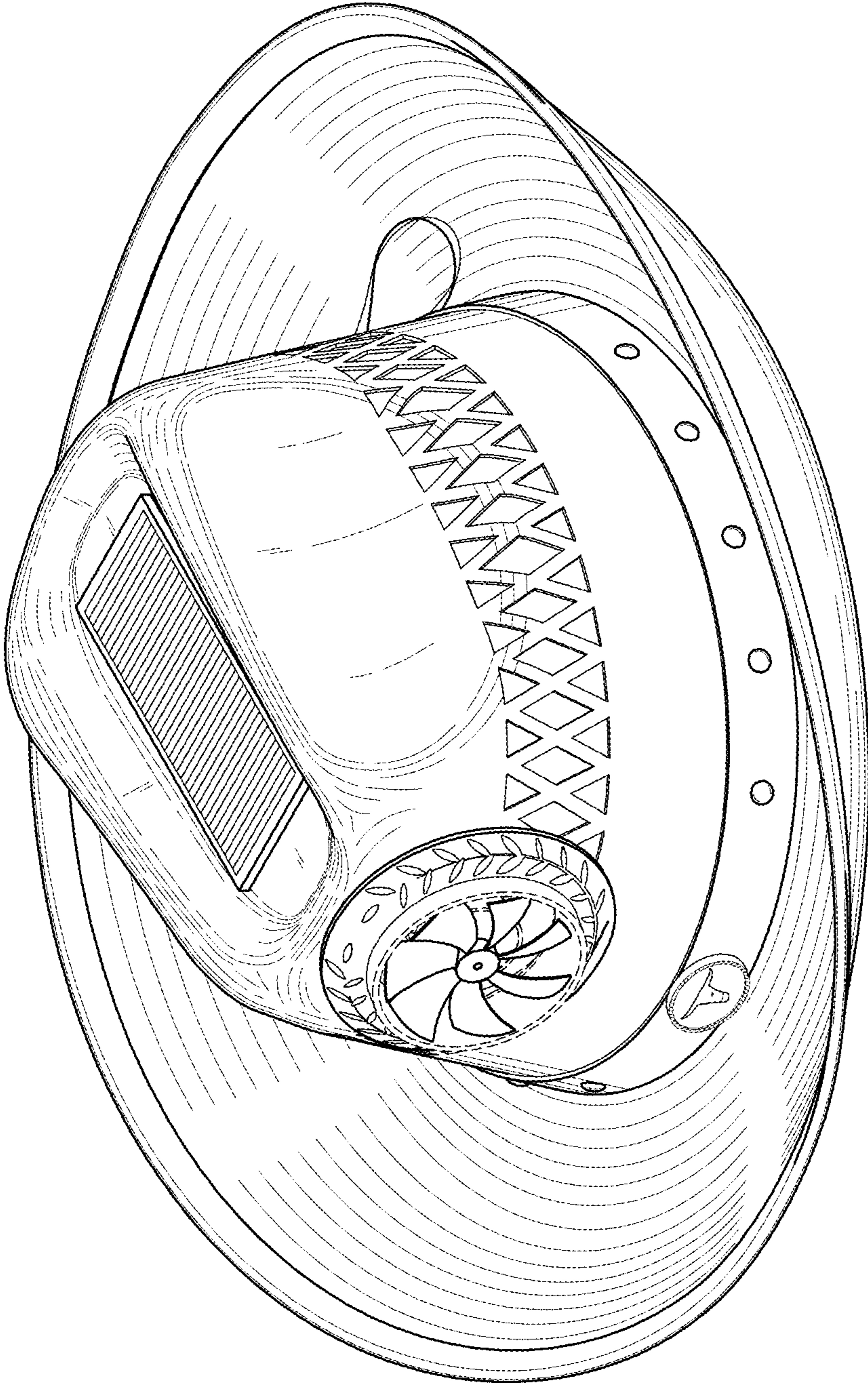


FIG. 1

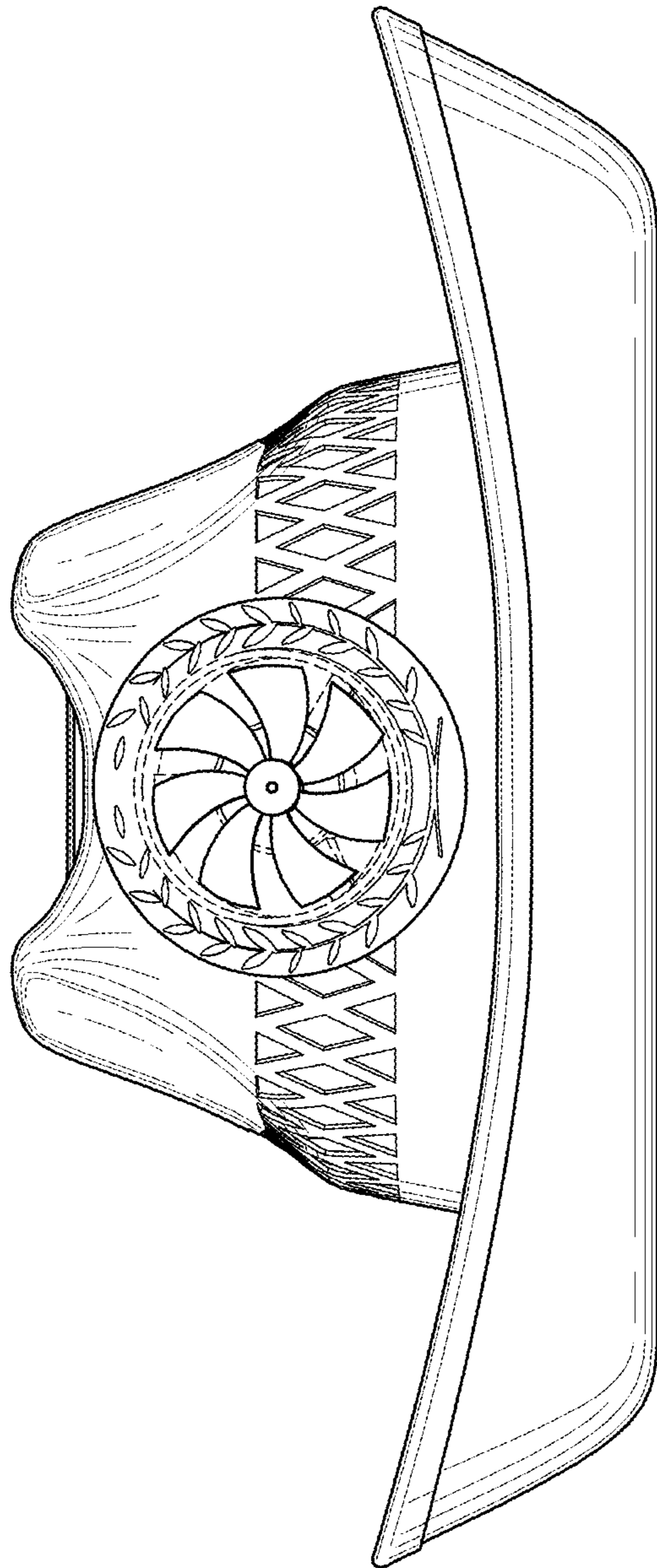


FIG. 2

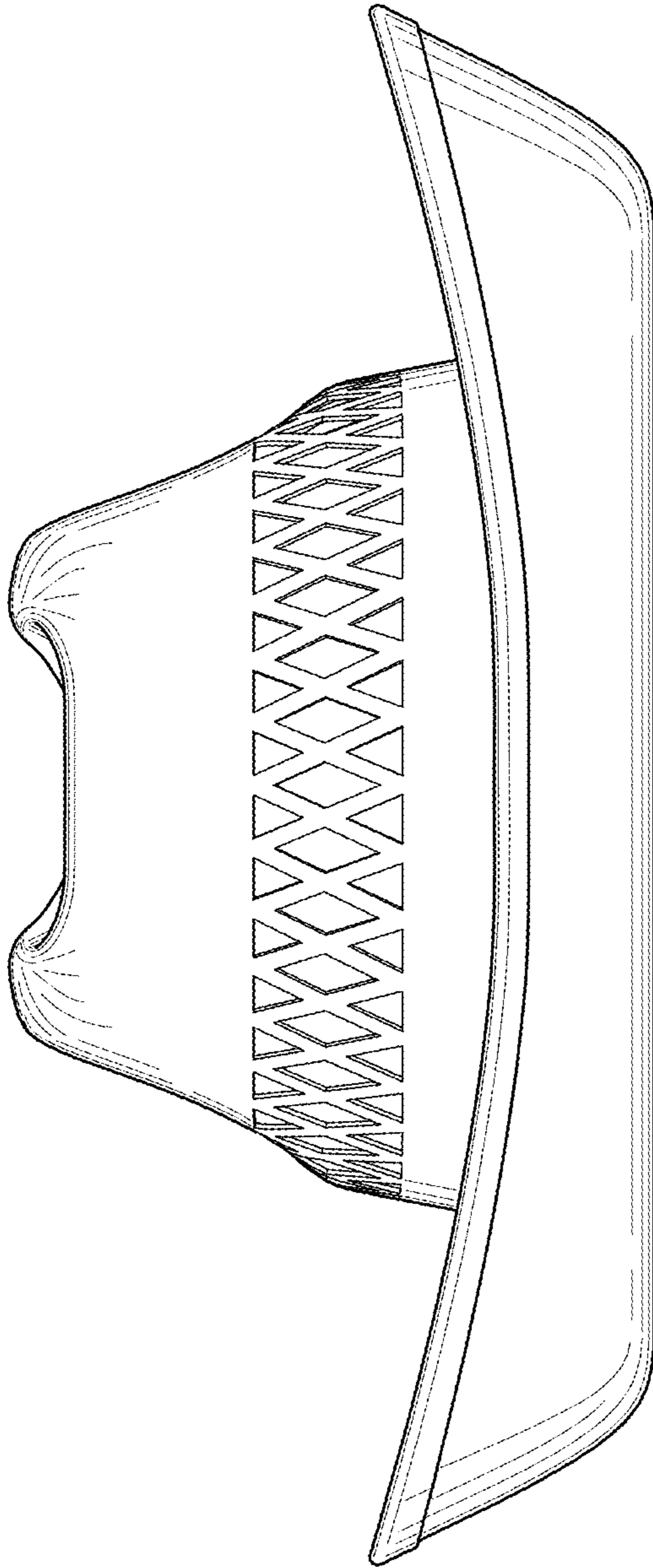


FIG. 3

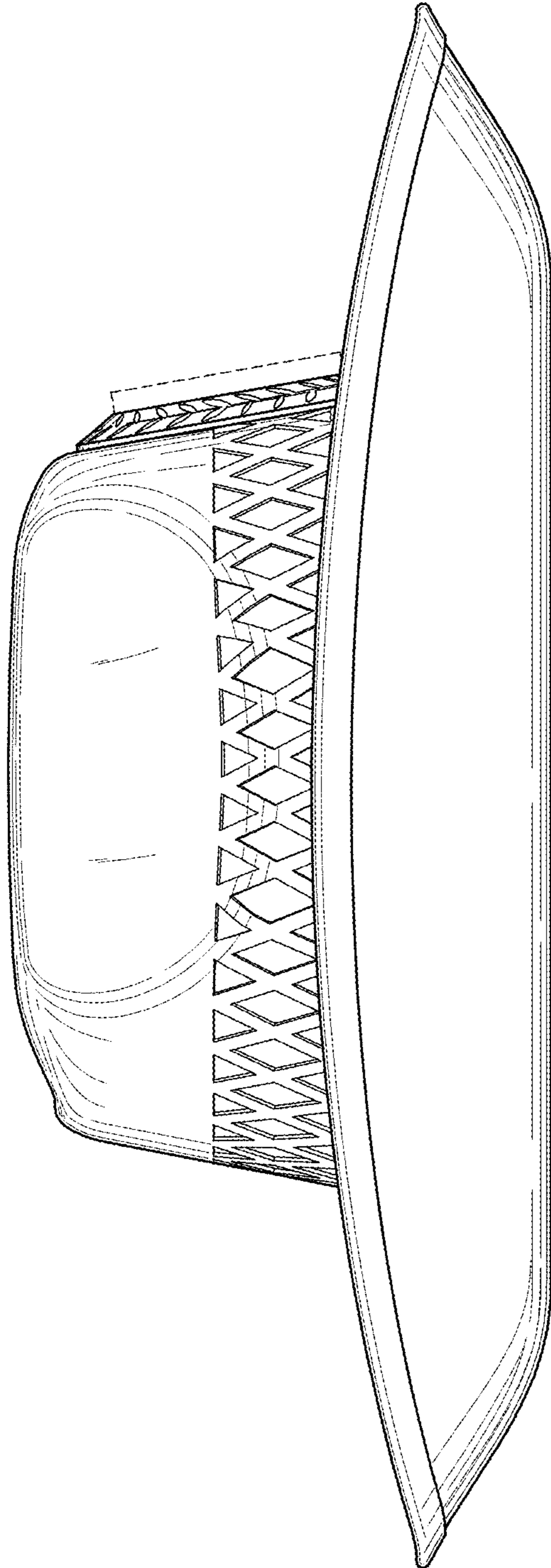


FIG. 4

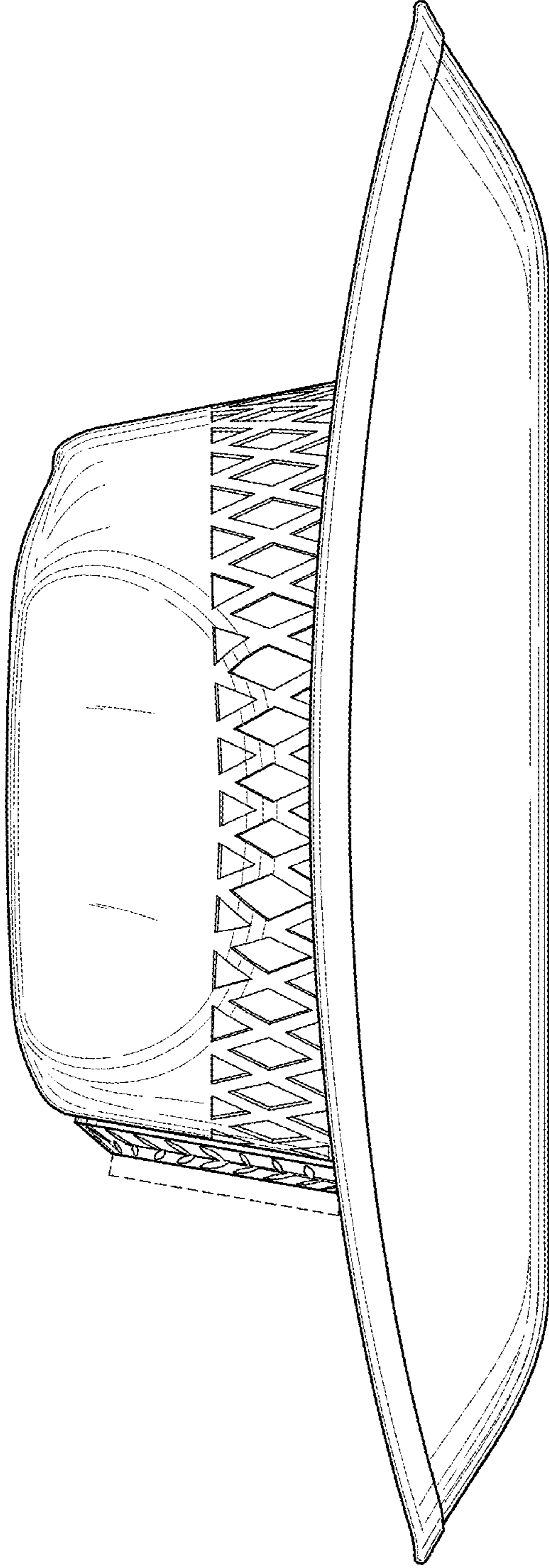


FIG. 5

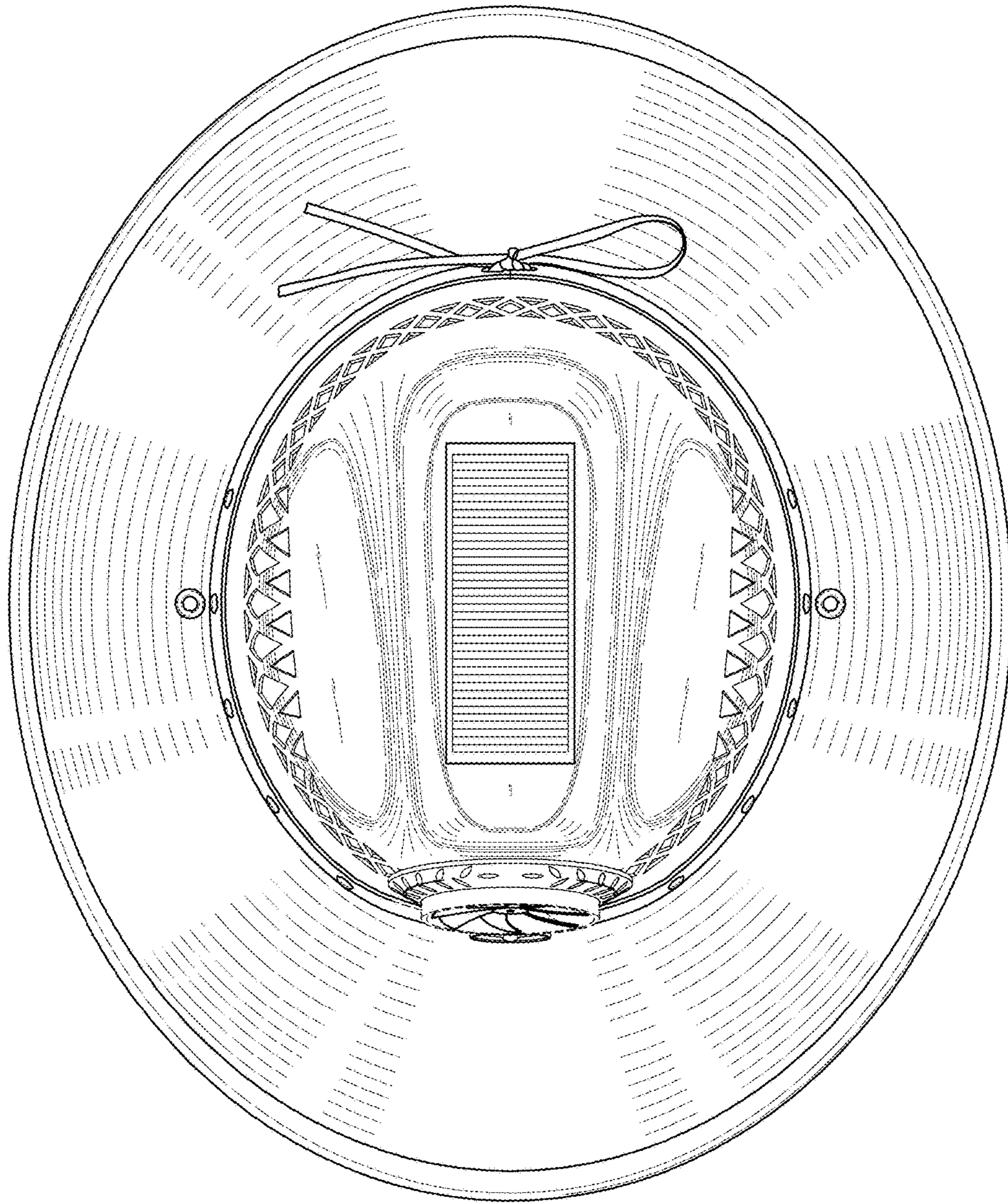


FIG. 6

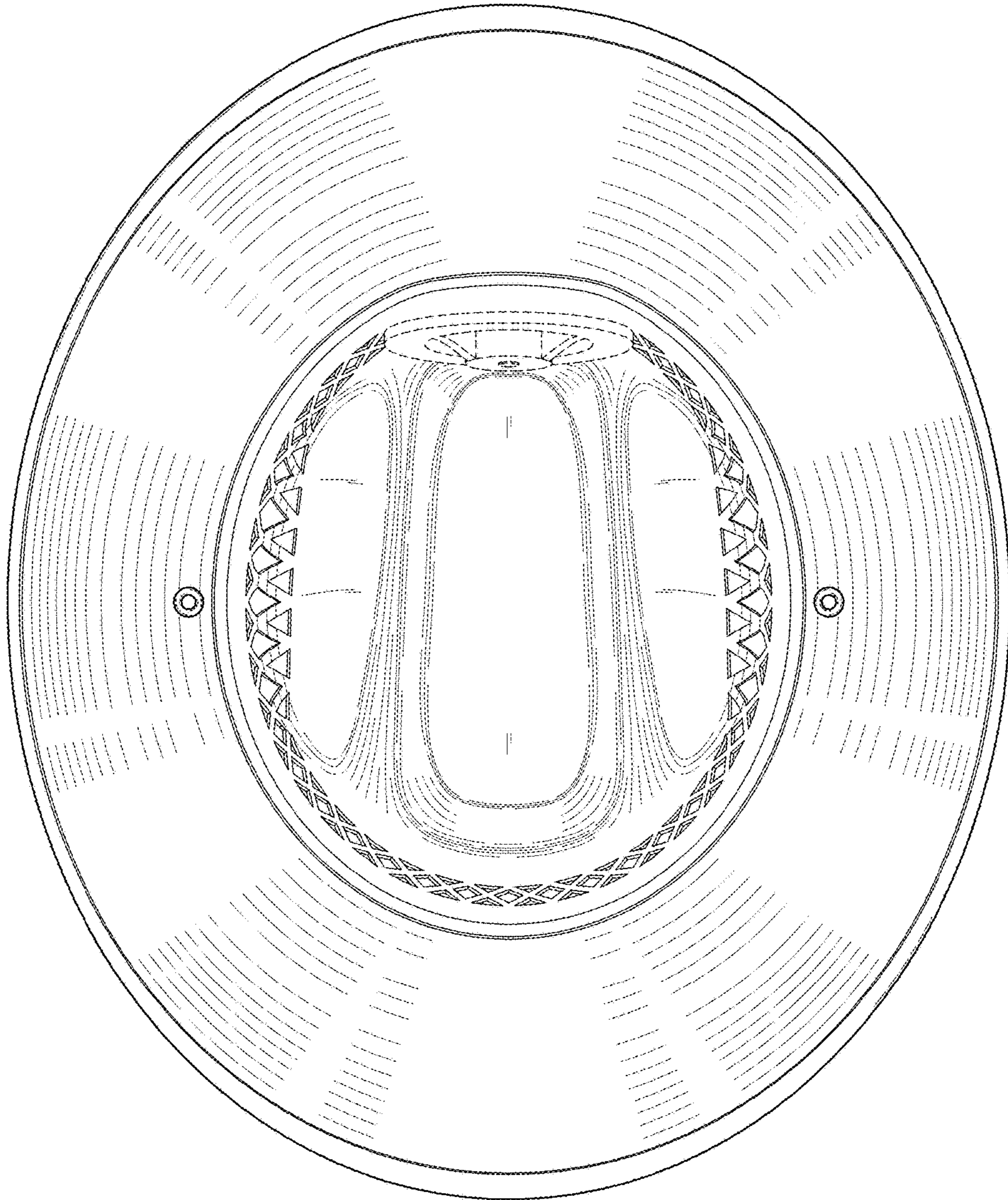


FIG. 7

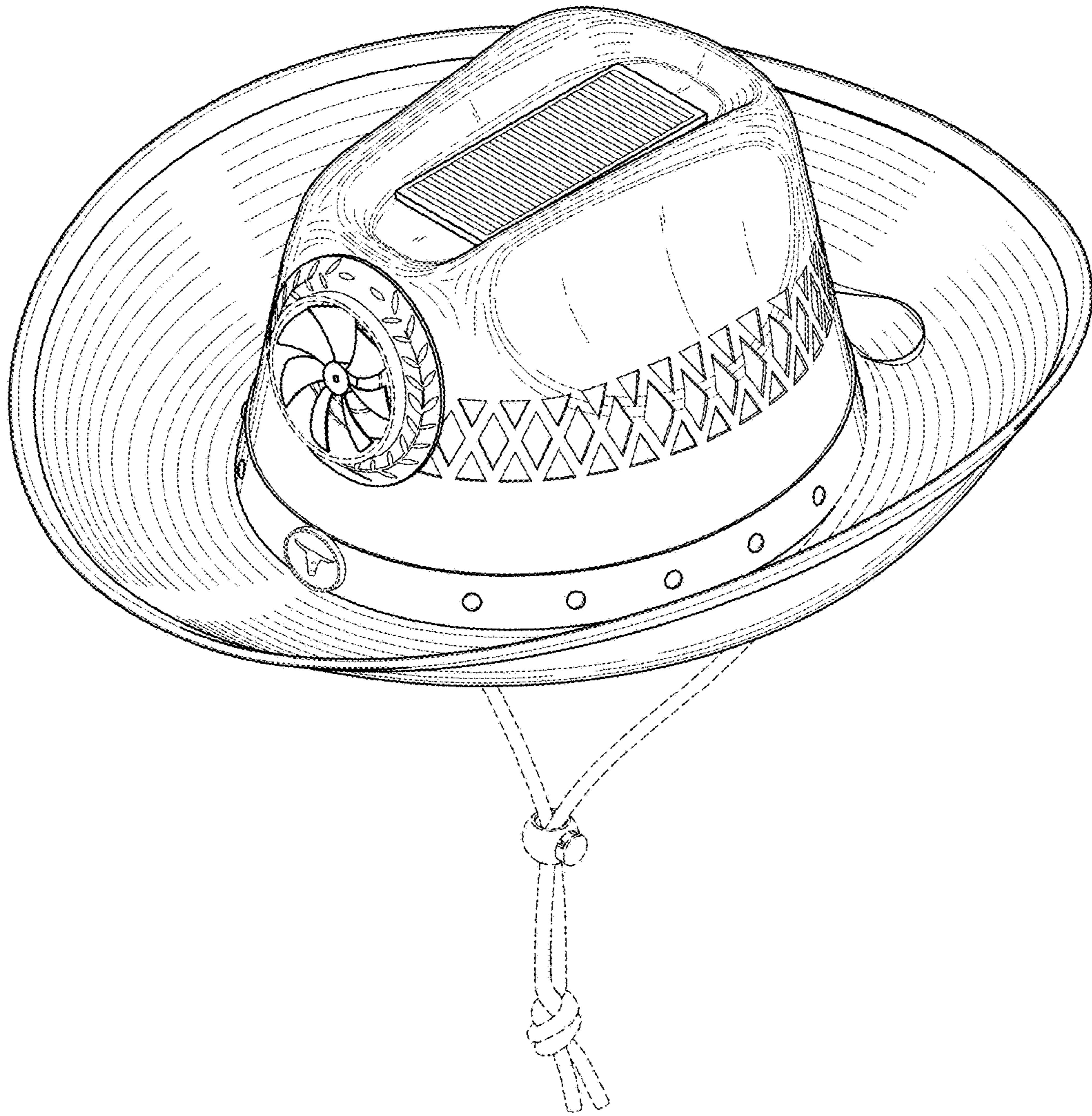


FIG. 8