



US00D857334S

(12) **United States Design Patent** (10) **Patent No.:** **US D857,334 S**
Bagon (45) **Date of Patent:** **** Aug. 27, 2019**

(54) **SHOEHORN FOR USE BY A CHILD**

(71) Applicant: **Kids Hardware Kompany, LLC,**
Tijeras, NM (US)

(72) Inventor: **Tina M. Bagon,** Tijeras, NM (US)

(73) Assignee: **Kids Hardware Kompany, LLC,**
Tijeras, NM (US)

(**) Term: **15 Years**

(21) Appl. No.: **29/634,944**

(22) Filed: **Jan. 25, 2018**

(51) **LOC (12) Cl.** **07-99**

(52) **U.S. Cl.**
USPC **D2/642**

(58) **Field of Classification Search**
USPC D2/641-643, 979, 999; D3/200;
D24/136; D28/91.2

CPC A47G 25/80; A47G 25/82; A47G 25/84;
A47G 25/86; A47G 25/88; A47G 25/90;
A47G 25/902; A47G 25/904; A47G
25/905; A47G 25/907; A47G 25/92

See application file for complete search history.

(56) **References Cited**

U.S. PATENT DOCUMENTS

D47,762 S * 8/1915 Sommer D2/642
D58,797 S * 8/1921 Mayhew D2/642
1,867,774 A * 7/1932 Starr A47G 25/82
223/118
2,223,076 A * 11/1940 McDermott A47G 25/82
15/105
D190,123 S * 4/1961 Papagna A47G 25/905
D2/641
D208,894 S * 10/1967 Wedermeyer A47G 25/82
D24/136
4,290,539 A * 9/1981 Lowery A47G 25/82
223/118
4,651,909 A * 3/1987 Banting A47G 25/905
223/111
D300,160 S * 3/1989 Johnson D2/642

D369,439 S * 4/1996 Fischer D24/147
D479,764 S * 9/2003 Fink, Sr. D2/642
D546,527 S * 7/2007 Bagon
D561,977 S * 2/2008 Recchia D2/641
D588,267 S * 3/2009 Pickel D24/136
D588,268 S * 3/2009 Pickel D24/136
D627,132 S * 11/2010 Morikawa D2/642
D663,100 S * 7/2012 Blackford D2/641

(Continued)

OTHER PUBLICATIONS

“Client Successes” New Mexico Small Business Assistance. <https://www.nmsbaprogram.org/client_highlights/detail/41>. Accessed on Nov. 19, 2018.*

Primary Examiner — Kevin K Rudzinski
Assistant Examiner — Clare Ann Gannon
(74) *Attorney, Agent, or Firm* — Peacock Law P.C.;
Deborah A. Peacock; Camille L. Martinez

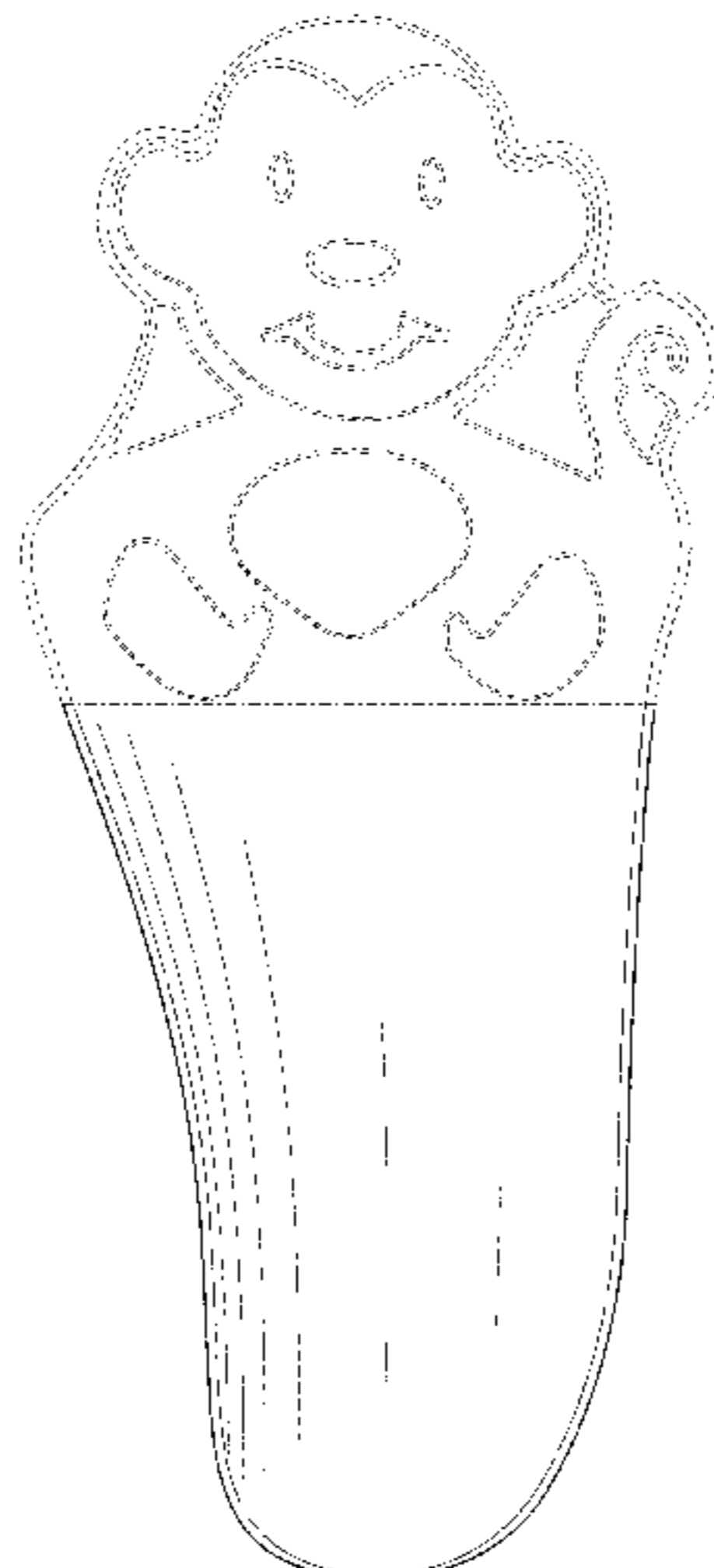
(57) **CLAIM**

The ornamental design for a shoehorn for use by a child, as shown and described.

DESCRIPTION

FIG. 1 is a bottom view of the shoehorn for use by a child showing my new design
FIG. 2 is a perspective front view thereof;
FIG. 3 is a perspective back view thereof;
FIG. 4 is a front view thereof;
FIG. 5 is a back view thereof;
FIG. 6 is a left view thereof;
FIG. 7 is a right view thereof; and,
FIG. 8 is a top view thereof.
The evenly dashed broken lines depict environment that forms no part of the claim. The dot-dash broken lines depict the boundary of the claim. None of the broken lines form a part of the claim.

1 Claim, 5 Drawing Sheets



(56)

References Cited

U.S. PATENT DOCUMENTS

D696,154 S * 12/2013 McGinnis D11/221
2006/0036133 A1 * 2/2006 Demsky A61B 13/00
600/240

* cited by examiner

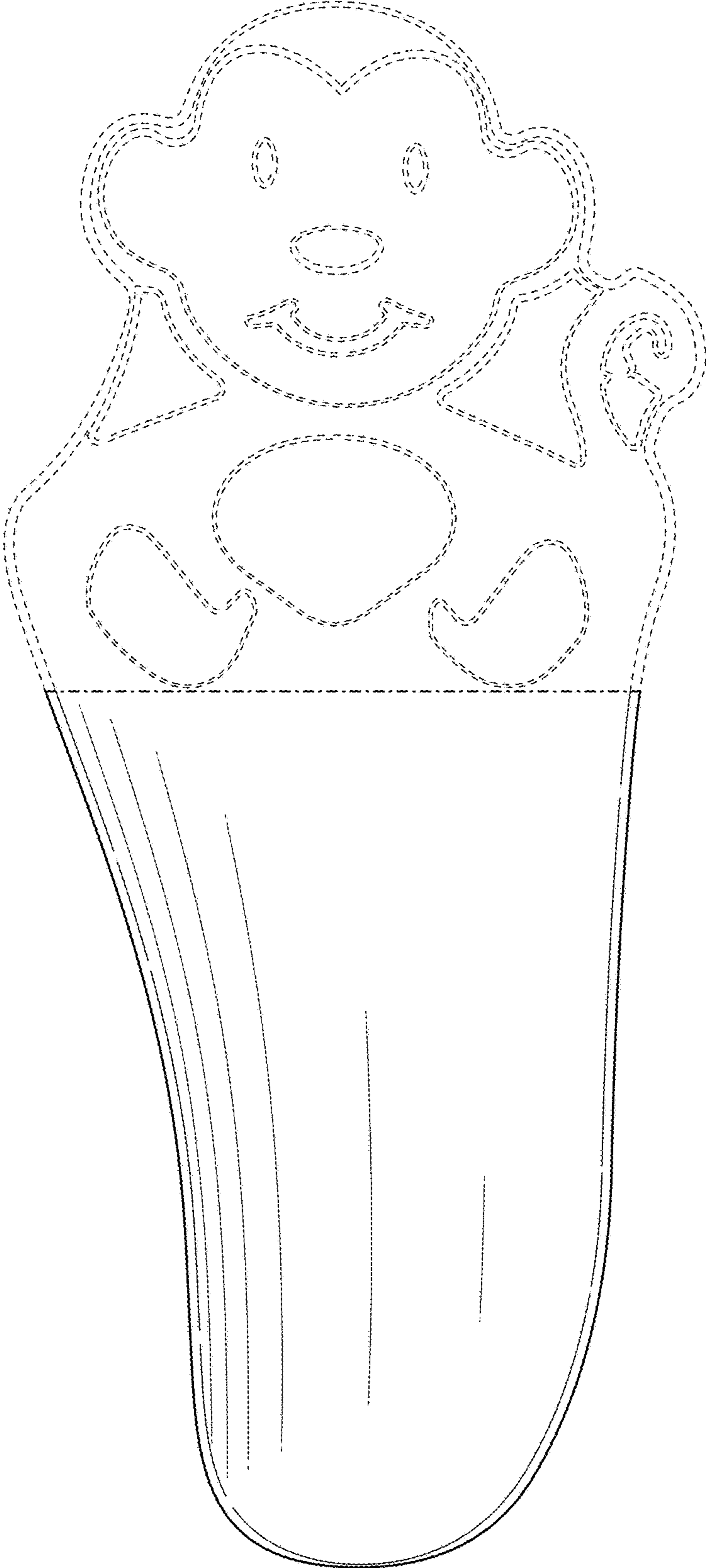


FIG. 1

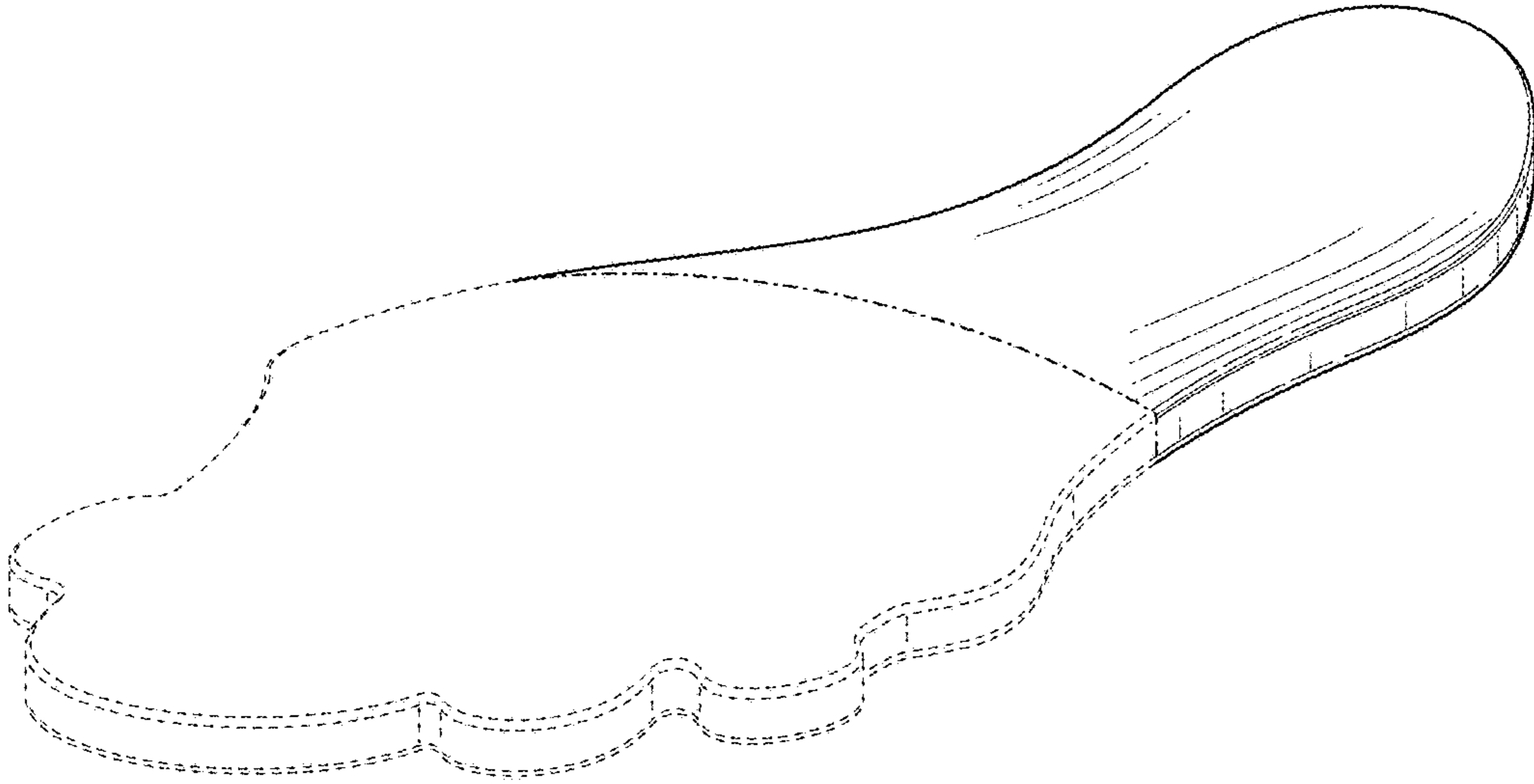


FIG. 2

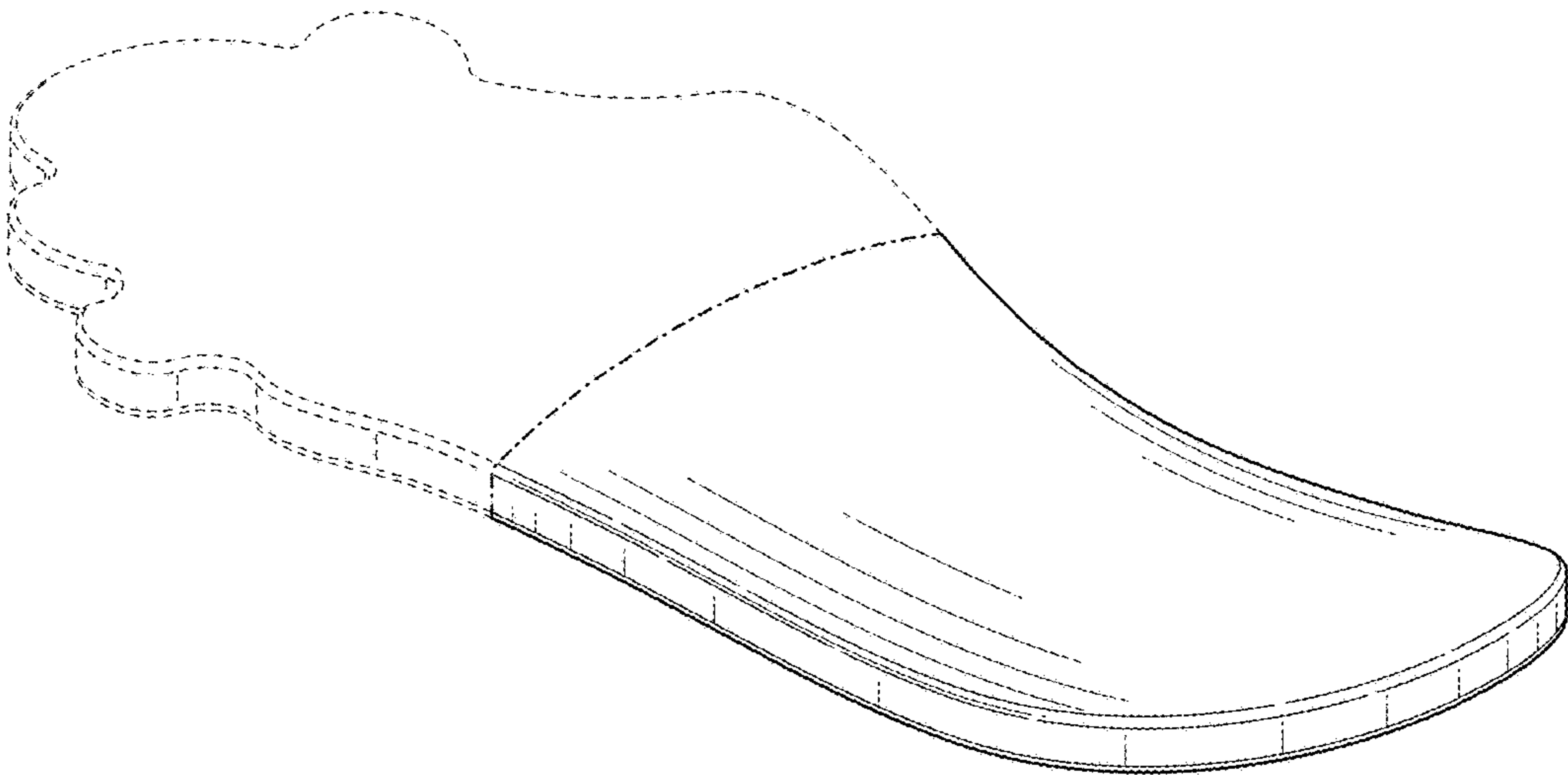


FIG. 3



FIG. 4

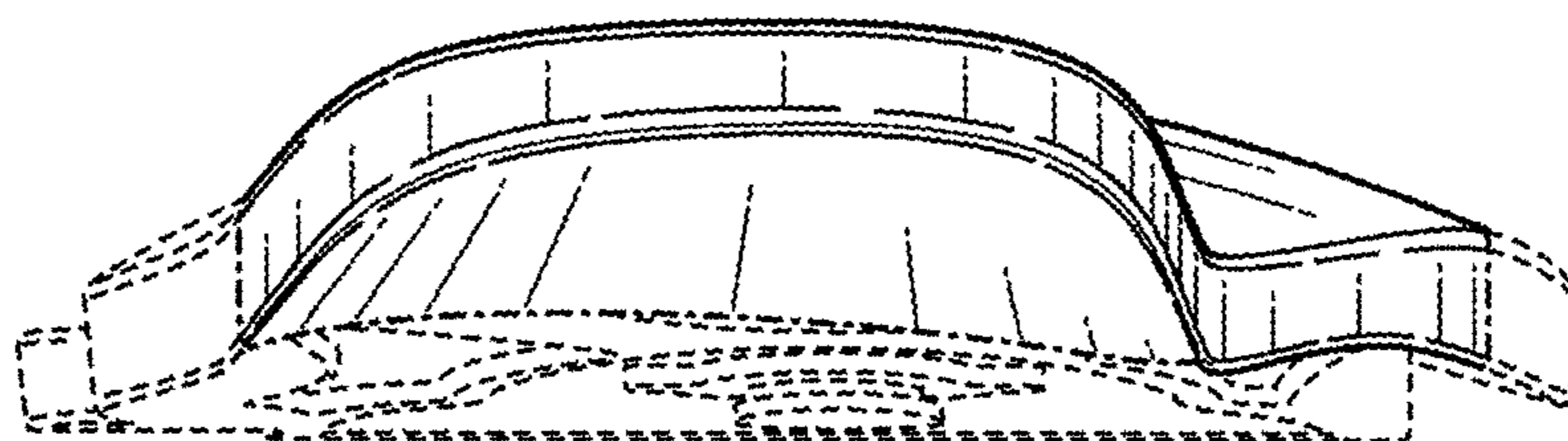


FIG. 5

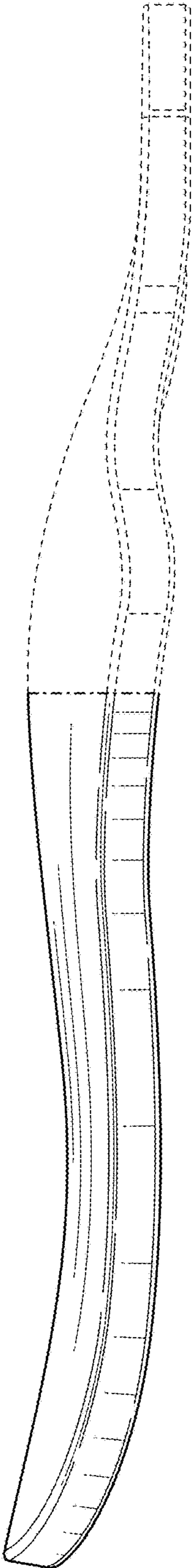


FIG. 6

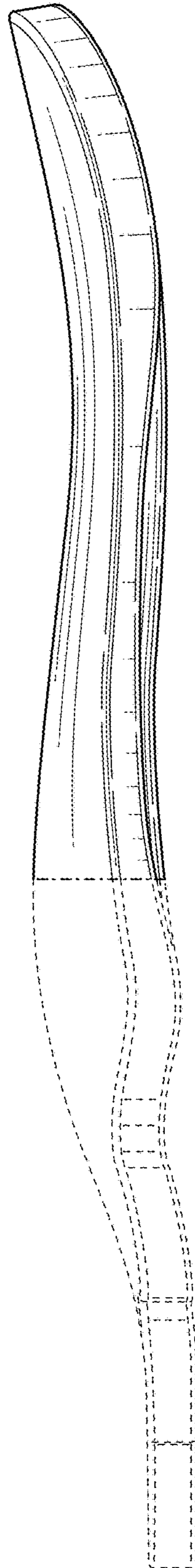


FIG. 7

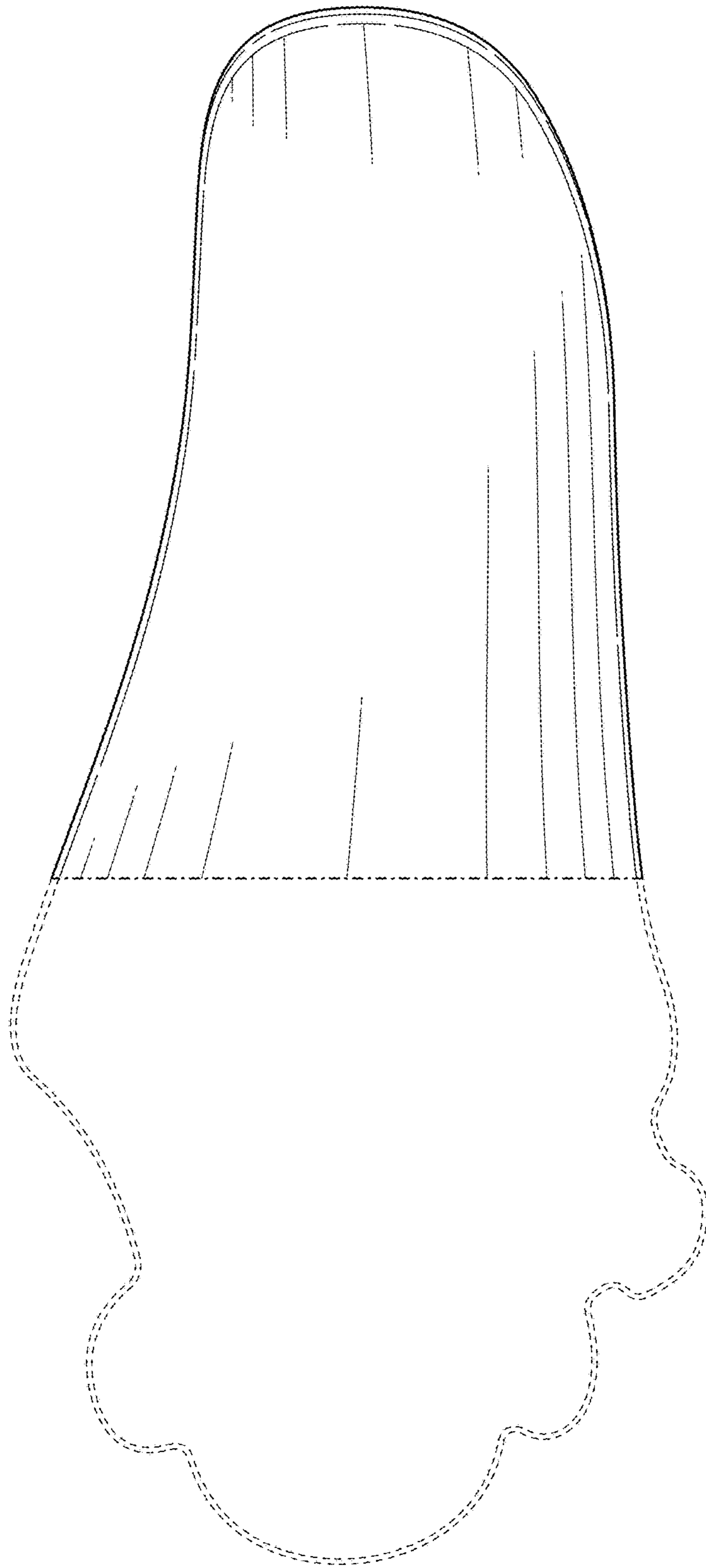


FIG. 8