



US00D857330S

(12) **United States Design Patent**  
**Kimura et al.**

(10) **Patent No.:** **US D857,330 S**

(45) **Date of Patent:** **\*\* Aug. 27, 2019**

(54) **DRIED NOODLE**

(71) Applicant: **NISSHIN FOODS INC.**, Tokyo (JP)

(72) Inventors: **Ryusuke Kimura**, Fujimino (JP);  
**Masafumi Higashi**, Fujimino (JP)

(73) Assignee: **NISSHIN FOODS INC.**, Tokyo (JP)

(\*\*) Term: **15 Years**

(21) Appl. No.: **29/617,485**

(22) Filed: **Sep. 14, 2017**

**Related U.S. Application Data**

(62) Division of application No. 35/501,019, filed on Dec. 1, 2015 (U.S. filing date under 35 U.S.C. 384), and having an international filing date of Dec. 1, 2015, now Pat. No. Des. 817,591.

(51) **LOC (12) Cl.** ..... **01-01**

(52) **U.S. Cl.**  
USPC ..... **D1/126**

(58) **Field of Classification Search**  
USPC ..... D1/100-130, 199  
CPC . A23L 7/109; A23L 19/19; A23L 7/17; A21C 11/16; A21C 3/08  
See application file for complete search history.

(56) **References Cited**

**U.S. PATENT DOCUMENTS**

4,752,205 A	6/1988	Moriyama	
D381,486 S	7/1997	Hauser	
6,086,373 A *	7/2000	Schiff	..... A46D 1/00 15/167.1
D437,101 S	2/2001	Debbouz	
D492,467 S	7/2004	Pittard	
D507,691 S	7/2005	Leiweke	
D538,507 S	3/2007	Tansey	
D683,517 S	6/2013	Tansey	
D683,927 S	6/2013	Tansey	

D684,337 S	6/2013	Tansey	
8,647,694 B2	2/2014	Kimura	
D725,868 S	4/2015	Kimura	
D759,343 S *	6/2016	Kimura	..... D1/126
D775,450 S	1/2017	Kimura	

(Continued)

*Primary Examiner* — Jennifer L Watkins

(74) *Attorney, Agent, or Firm* — Muncy, Geissler, Olds & Lowe, P.C.

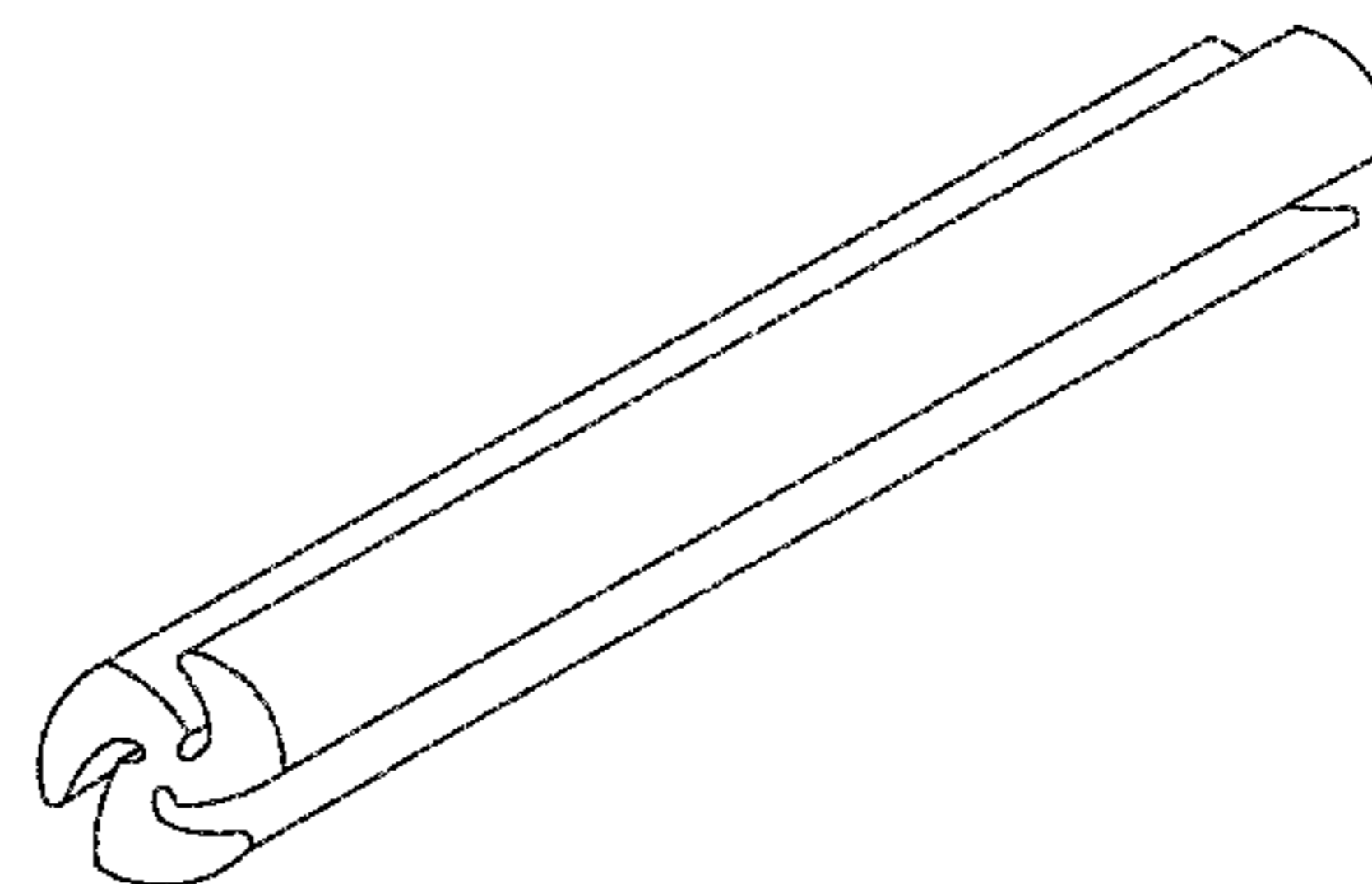
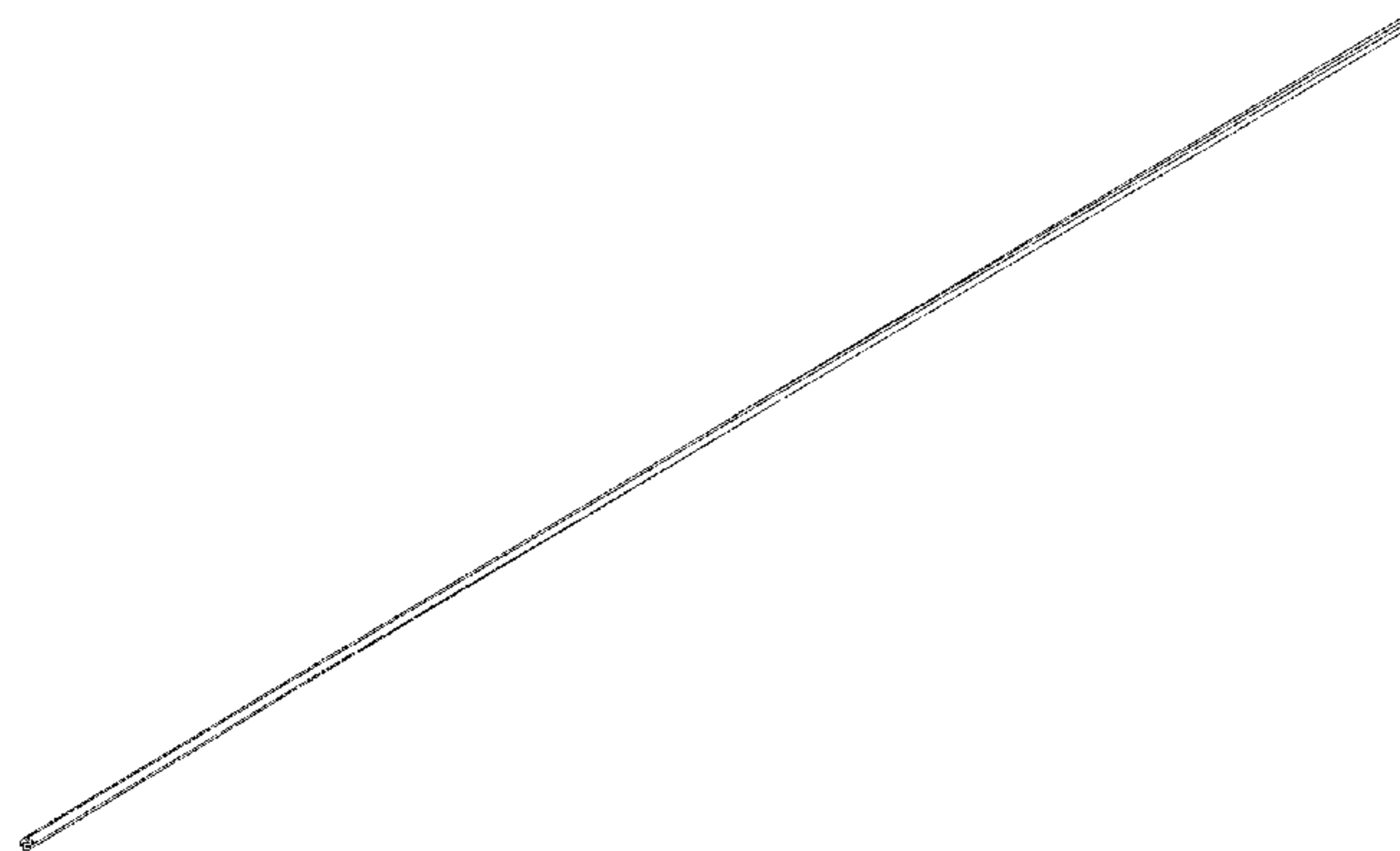
(57) **CLAIM**

The ornamental design for a dried noodle, as shown and described.

**DESCRIPTION**

FIG. 1 is a perspective view of a dried noodle showing our new design;  
 FIG. 2 is a front elevational view thereof;  
 FIG. 3 is a rear elevational view thereof;  
 FIG. 4 is a left side elevational view thereof;  
 FIG. 5 is a right side elevational view thereof;  
 FIG. 6 is a top plan view thereof;  
 FIG. 7 is a bottom plan view thereof;  
 FIG. 8 is an enlarged sectional view of the left end of FIG. 1;  
 FIG. 9 is an enlarged view of FIG. 4; and  
 FIG. 10 is an enlarged view of FIG. 5;  
 FIG. 11 is a perspective view of a second embodiment of a dried noodle showing our new design;  
 FIG. 12 is a front elevational view thereof;  
 FIG. 13 is a rear elevational view thereof;  
 FIG. 14 is a left side elevational view thereof;  
 FIG. 15 is a right side elevational view thereof;  
 FIG. 16 is a top plan view thereof;  
 FIG. 17 is a bottom plan view thereof;  
 FIG. 18 is an enlarged sectional view of the left end of FIG. 1;  
 FIG. 19 is an enlarged view of FIG. 14; and  
 FIG. 20 is an enlarged view of FIG. 15.

**1 Claim, 8 Drawing Sheets**



(56)

**References Cited**

U.S. PATENT DOCUMENTS

D781,025	S	3/2017	Pope	
D785,901	S *	5/2017	Wilson .....	D1/125
D804,741	S *	12/2017	Park .....	D30/160
D805,725	S *	12/2017	Kimura .....	D1/126
D817,591	S *	5/2018	Kimura .....	D1/126
10,092,025	B2 *	10/2018	Cardinali .....	A23L 7/109
2003/0228400	A1 *	12/2003	Dahl .....	A23K 40/20 426/282
2008/0020101	A1 *	1/2008	Madsen .....	A23G 3/48 426/104
2012/0135123	A1	5/2012	Kimura	
2013/0302498	A1 *	11/2013	Tanaka .....	A21C 11/16 426/557
2015/0030745	A1 *	1/2015	Yoneyama .....	A23L 7/109 426/557

\* cited by examiner

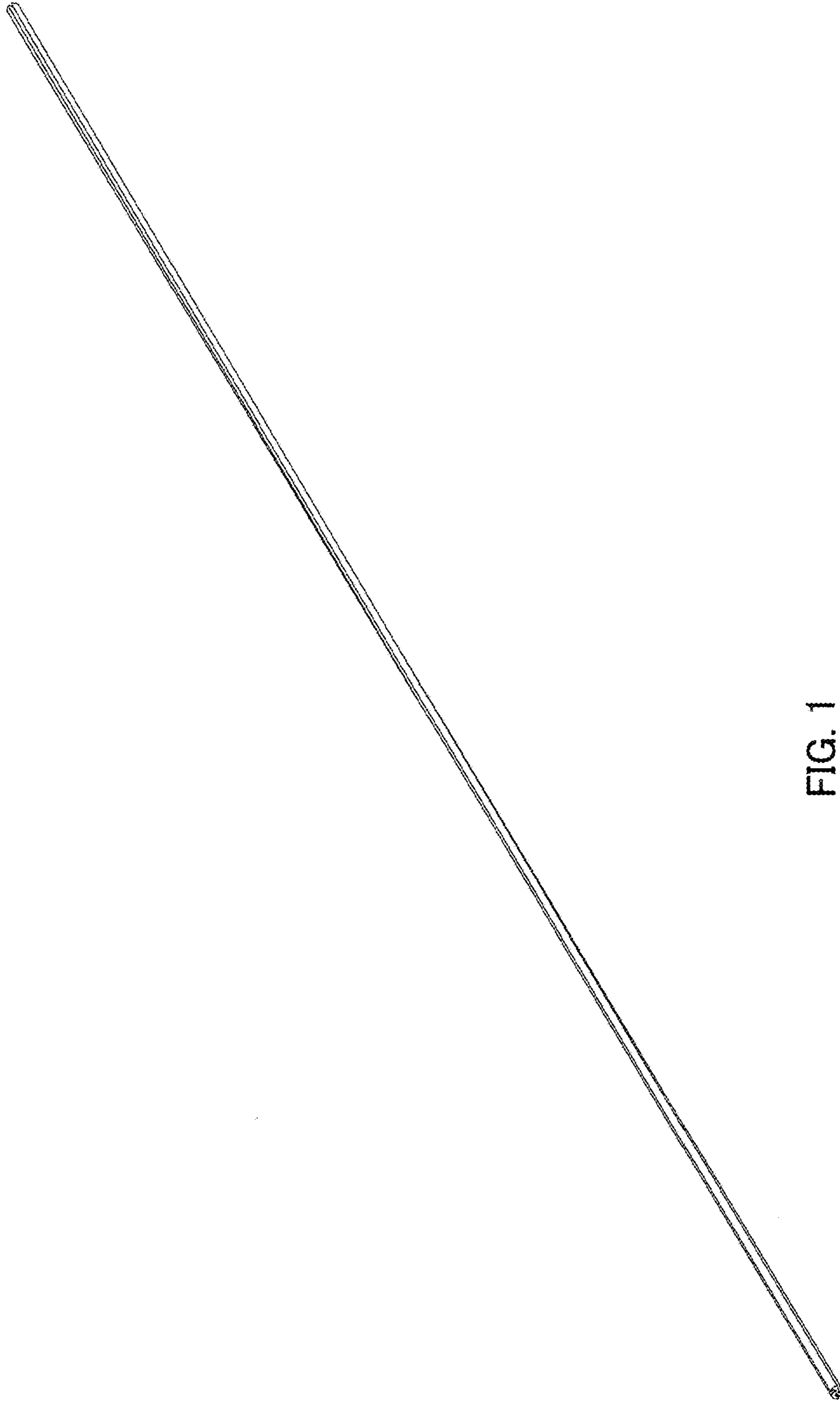


FIG. 1



FIG. 2



FIG. 3



FIG. 4



FIG. 5



FIG. 6



FIG. 7

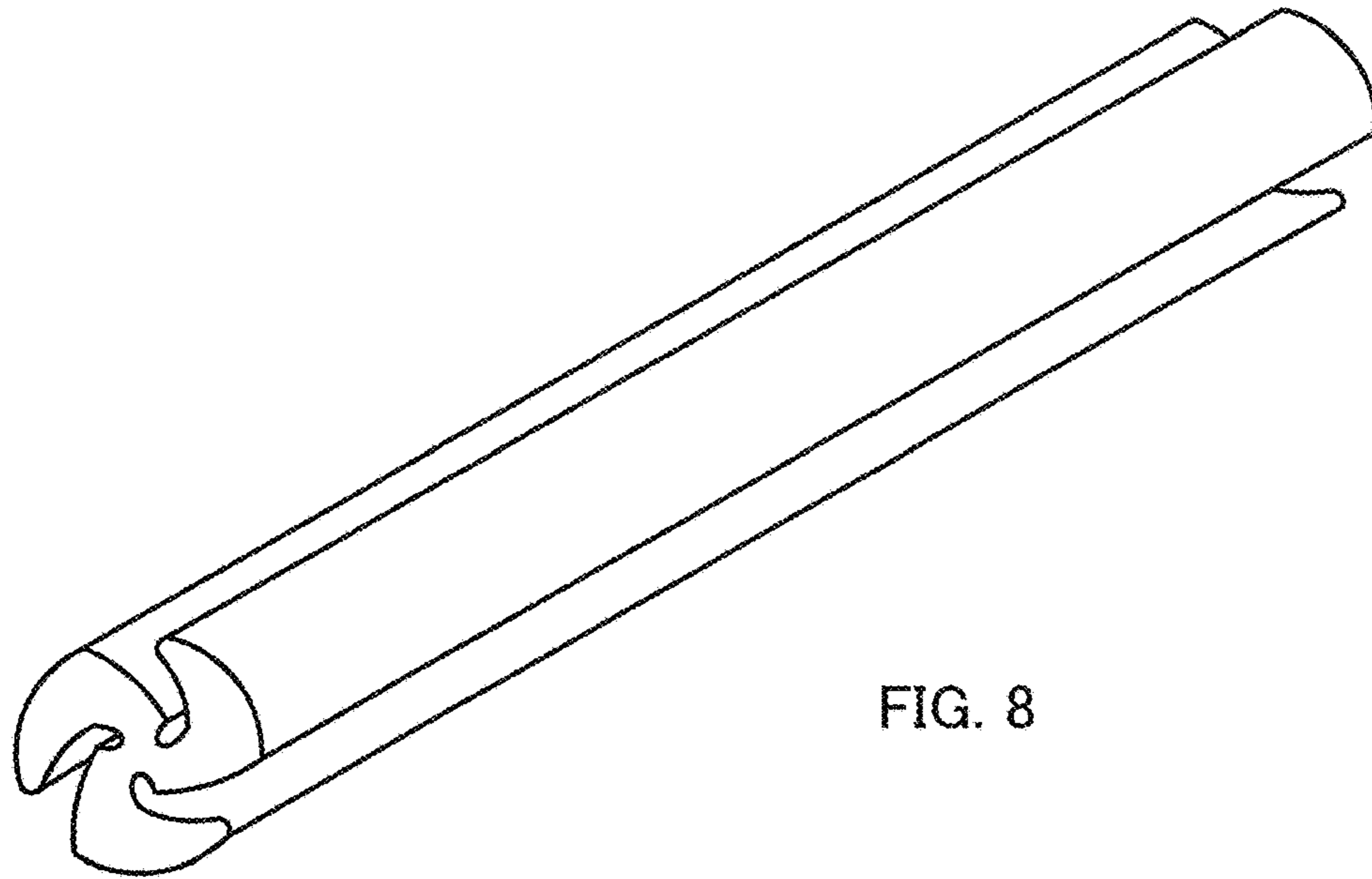


FIG. 8

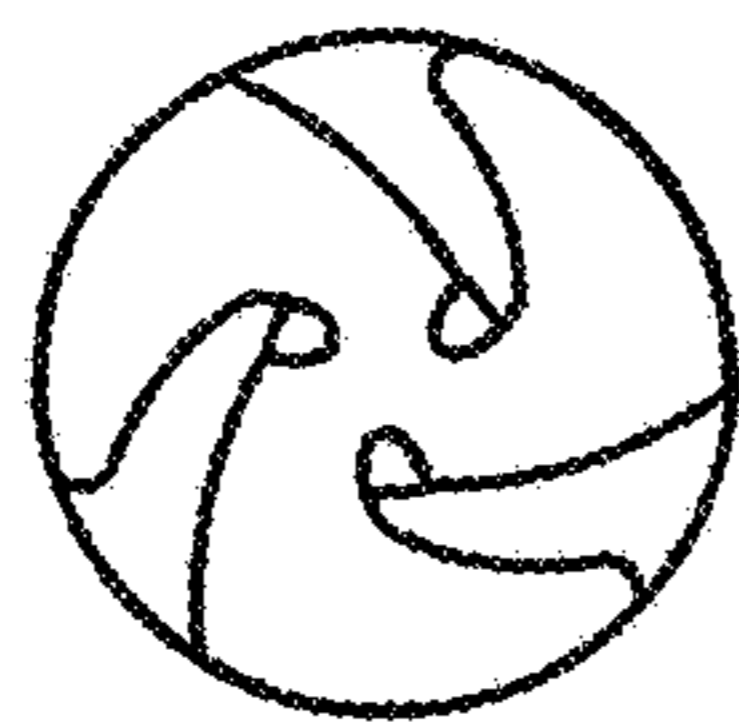


FIG. 9

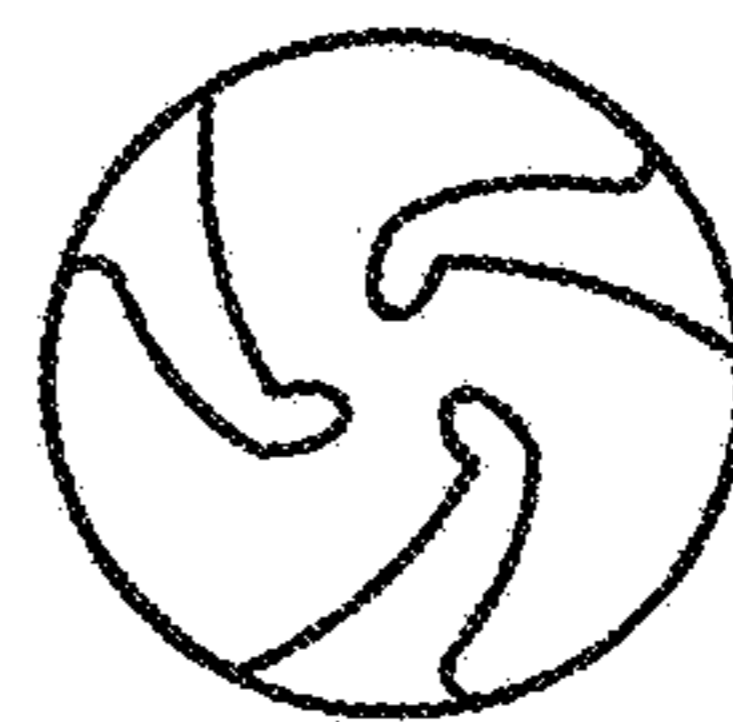


FIG. 10

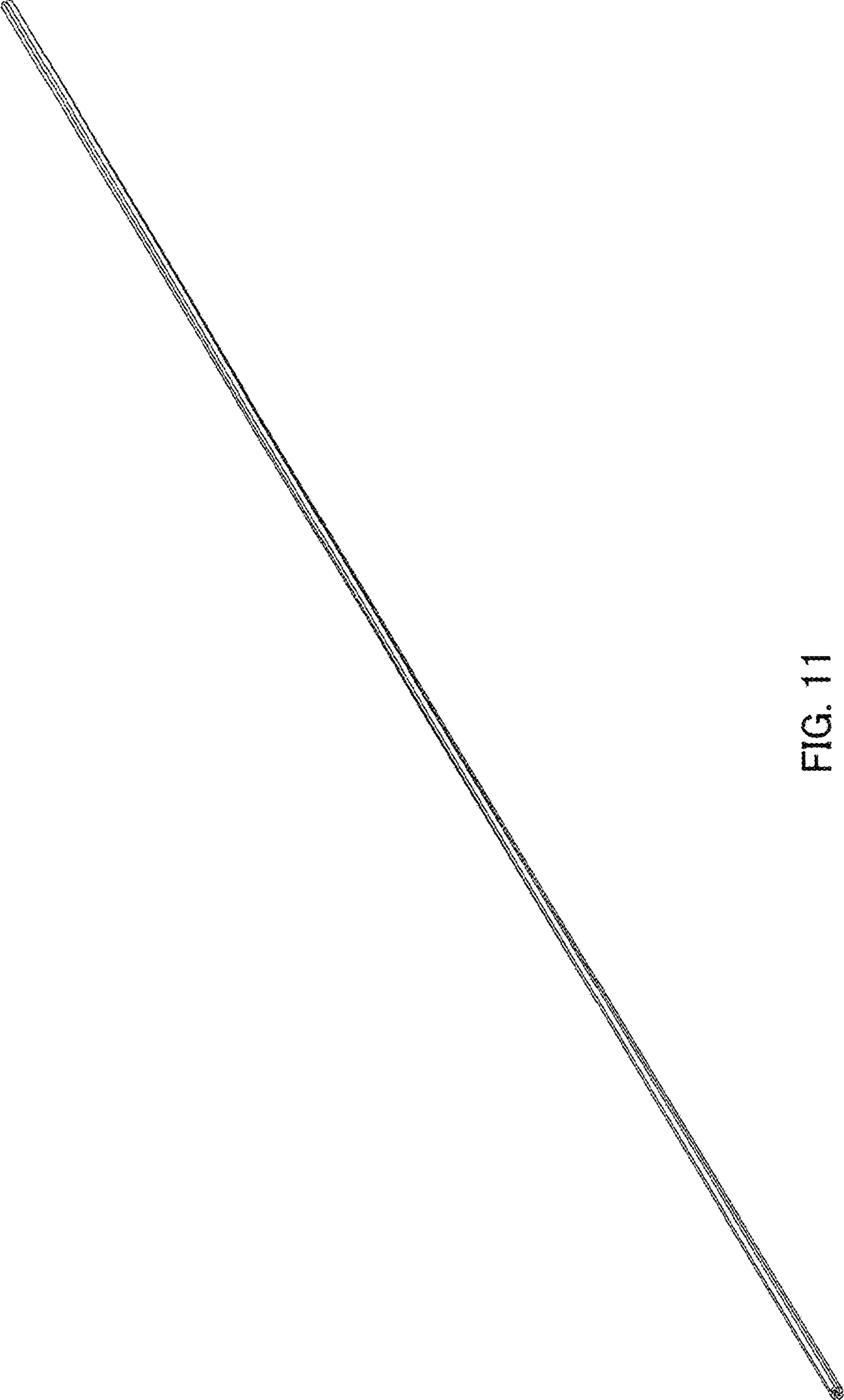


FIG. 11



FIG. 12



FIG. 13



FIG. 14

FIG. 15





FIG. 16



FIG. 17

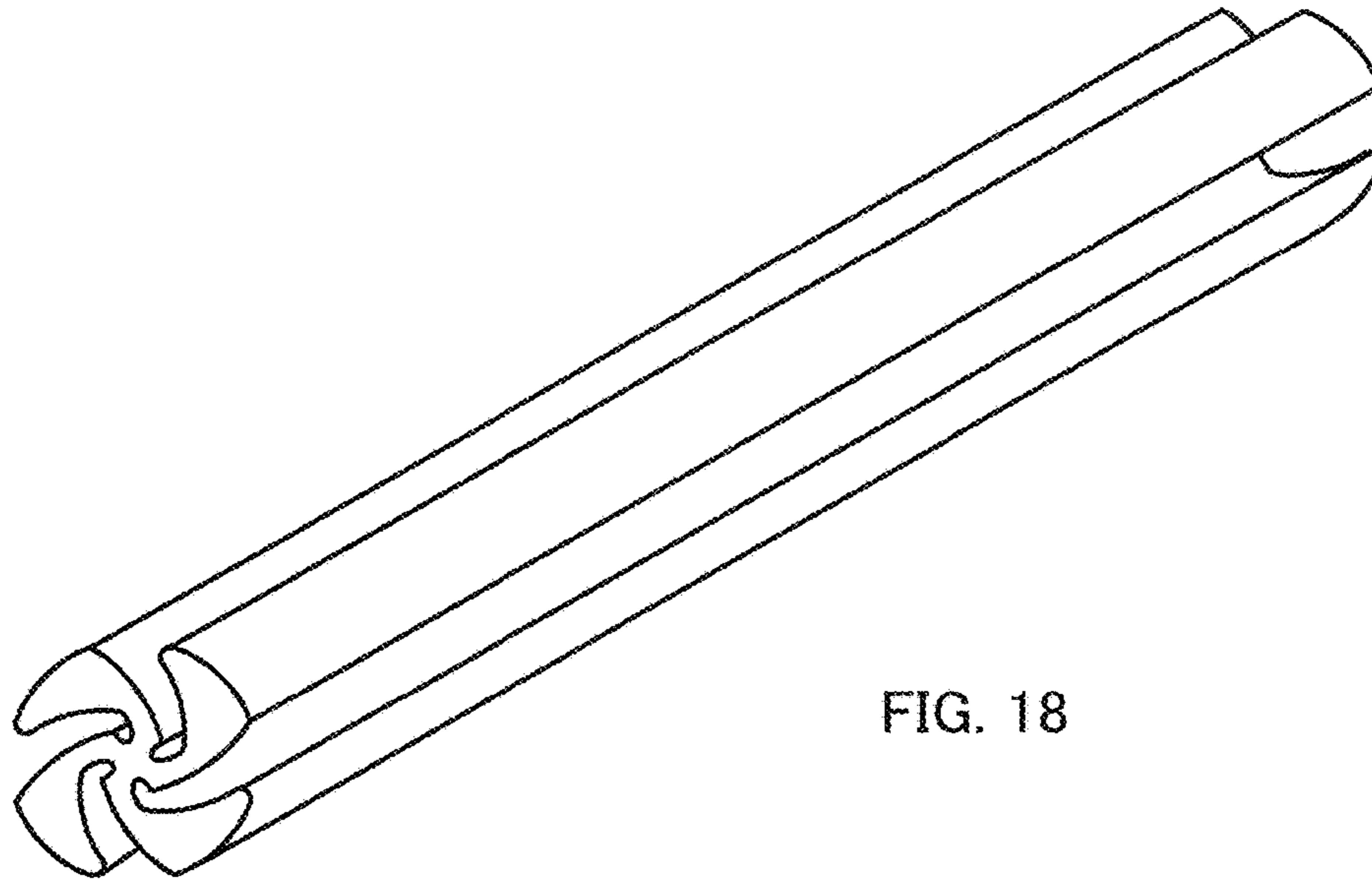


FIG. 18

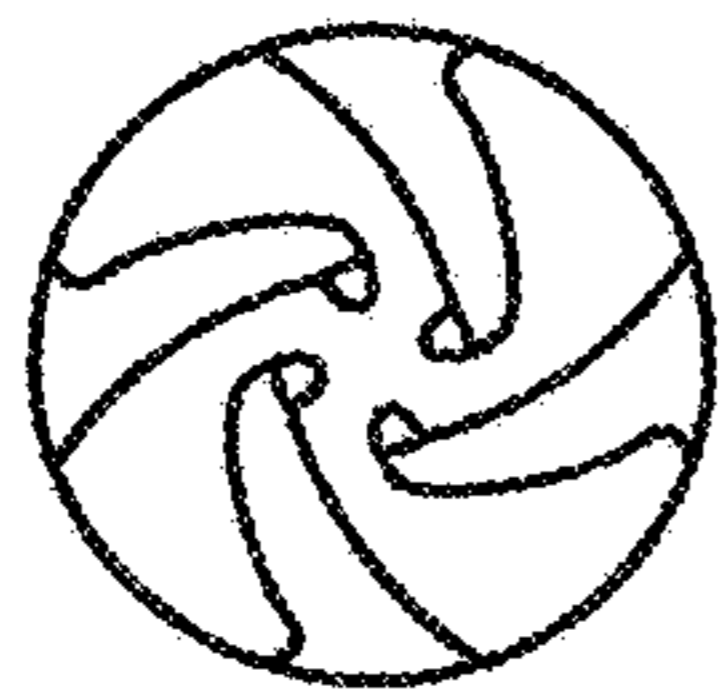


FIG. 19



FIG. 20