



US00D857326S

(12) **United States Design Patent**
Hu

(10) **Patent No.:** **US D857,326 S**

(45) **Date of Patent:** **** Aug. 20, 2019**

(54) **ROLLING STORAGE CART**

(71) Applicant: **Yajun Hu**, El Dorado Hills, CA (US)

(72) Inventor: **Yajun Hu**, El Dorado Hills, CA (US)

(73) Assignees: **Yajun Hu**, El Dorado Hills, CA (US);
EUREKA LLC., El Dorado Hills, CA (US)

(**) Term: **15 Years**

(21) Appl. No.: **29/614,755**

(22) Filed: **Aug. 22, 2017**

(51) **LOC (12) Cl.** **12-02**

(52) **U.S. Cl.**
USPC **D34/21**

(58) **Field of Classification Search**
USPC D34/12, 13, 17, 20, 21, 23, 26, 27;
280/651, 47.19, 47.35, 47.34; 211/187,
211/134, 186, 194; D6/675.2, 675.1,
D6/675.5

CPC B62B 1/12; B62B 5/0438; B62B 2205/32;
B62B 3/0606

See application file for complete search history.

(56) **References Cited**

U.S. PATENT DOCUMENTS

D245,783 S	9/1977	Fieni	
D301,590 S	6/1989	Foran et al.	
4,998,023 A *	3/1991	Kitts	A47B 31/00 211/188
5,271,551 A	12/1993	Roepke	
D354,516 S	1/1995	Crist et al.	
D362,528 S *	9/1995	Shannon	D34/17
D363,590 S *	10/1995	Kazmerchek	D34/17
D383,283 S	9/1997	Hankins, III	
5,839,739 A *	11/1998	Shannon	B62B 5/06 280/47.35
D422,433 S *	4/2000	Ho	D6/675.1
D424,117 S	5/2000	Steinbeck et al.	

D433,711 S	11/2000	Andujar	
6,213,483 B1 *	4/2001	Gaffney	B62B 3/02 211/126.16
D472,735 S	4/2003	Haugen	
6,796,565 B2 *	9/2004	Choi	B62B 3/02 211/188
6,814,362 B2 *	11/2004	Hanson	B62B 3/006 108/107
7,044,312 B2 *	5/2006	Yang	A47B 57/40 211/187
D523,245 S	6/2006	Post	
D551,455 S	9/2007	Norvell	
D561,972 S *	2/2008	Roever	D34/17
D579,660 S	11/2008	Snider	

(Continued)

Primary Examiner — Cynthia Ramirez

Assistant Examiner — Gino Colan

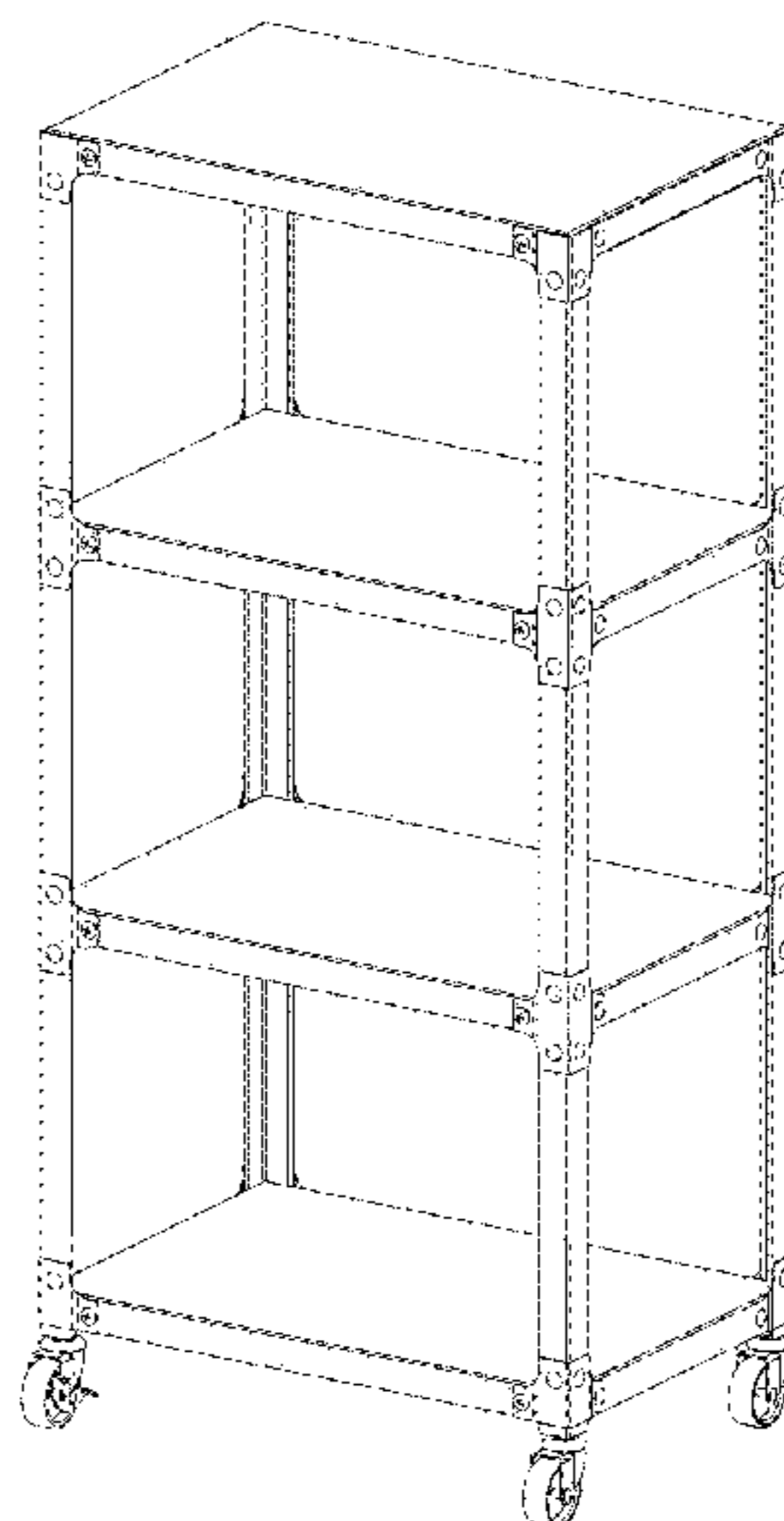
(57) **CLAIM**

The ornamental design for a rolling storage cart, as shown and described.

DESCRIPTION

FIG. 1 is a perspective view of a first embodiment of a rolling storage cart showing my new design;
 FIG. 2 is a front view thereof;
 FIG. 3 is a bottom view thereof;
 FIG. 4 is a top view thereof;
 FIG. 5 is a rear side view thereof;
 FIG. 6 is a left side view thereof;
 FIG. 7 is a right side view thereof;
 FIG. 8 is a perspective view of a second embodiment of a rolling storage cart showing my new design;
 FIG. 9 is a front view thereof;
 FIG. 10 is a bottom view thereof;
 FIG. 11 is a top view thereof;
 FIG. 12 is a rear side view thereof;
 FIG. 13 is a left side view thereof; and,
 FIG. 14 is a right side view thereof.

1 Claim, 14 Drawing Sheets



(56)

References Cited

U.S. PATENT DOCUMENTS

D625,072	S	*	10/2010	Zhao	D34/21
D644,491	S		9/2011	Snider		
D651,405	S		1/2012	Lee		
D748,359	S	*	1/2016	Lustig	D34/21
D750,861	S	*	3/2016	Alletto, Jr.	D34/21
9,994,244	B2	*	6/2018	Churchvara	B62B 3/02
2004/0066012	A1	*	4/2004	Choi	B62B 3/02
						280/47.35
2006/0232032	A1	*	10/2006	Goldberg	B62B 3/006
						280/47.35

* cited by examiner

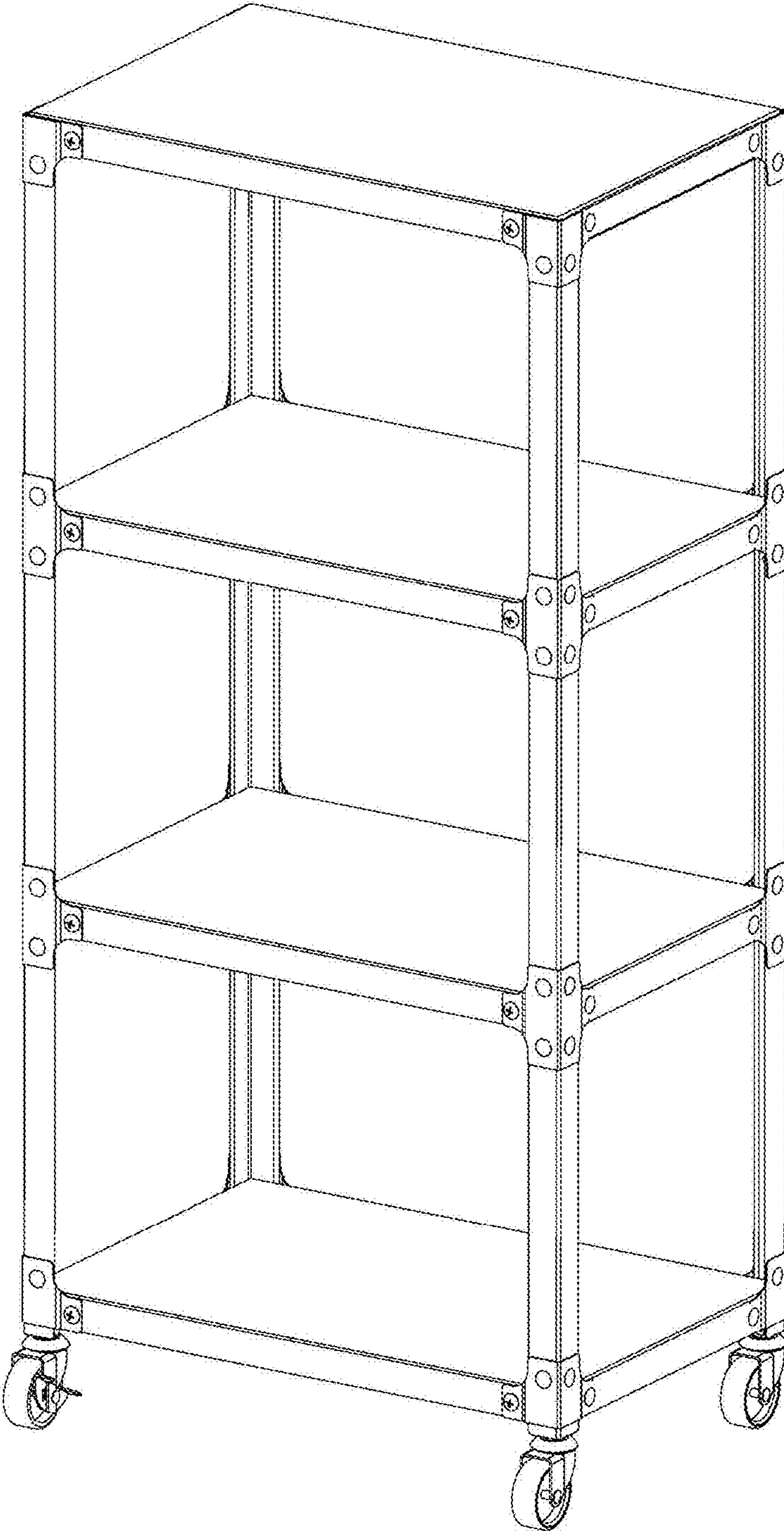


FIG. 1

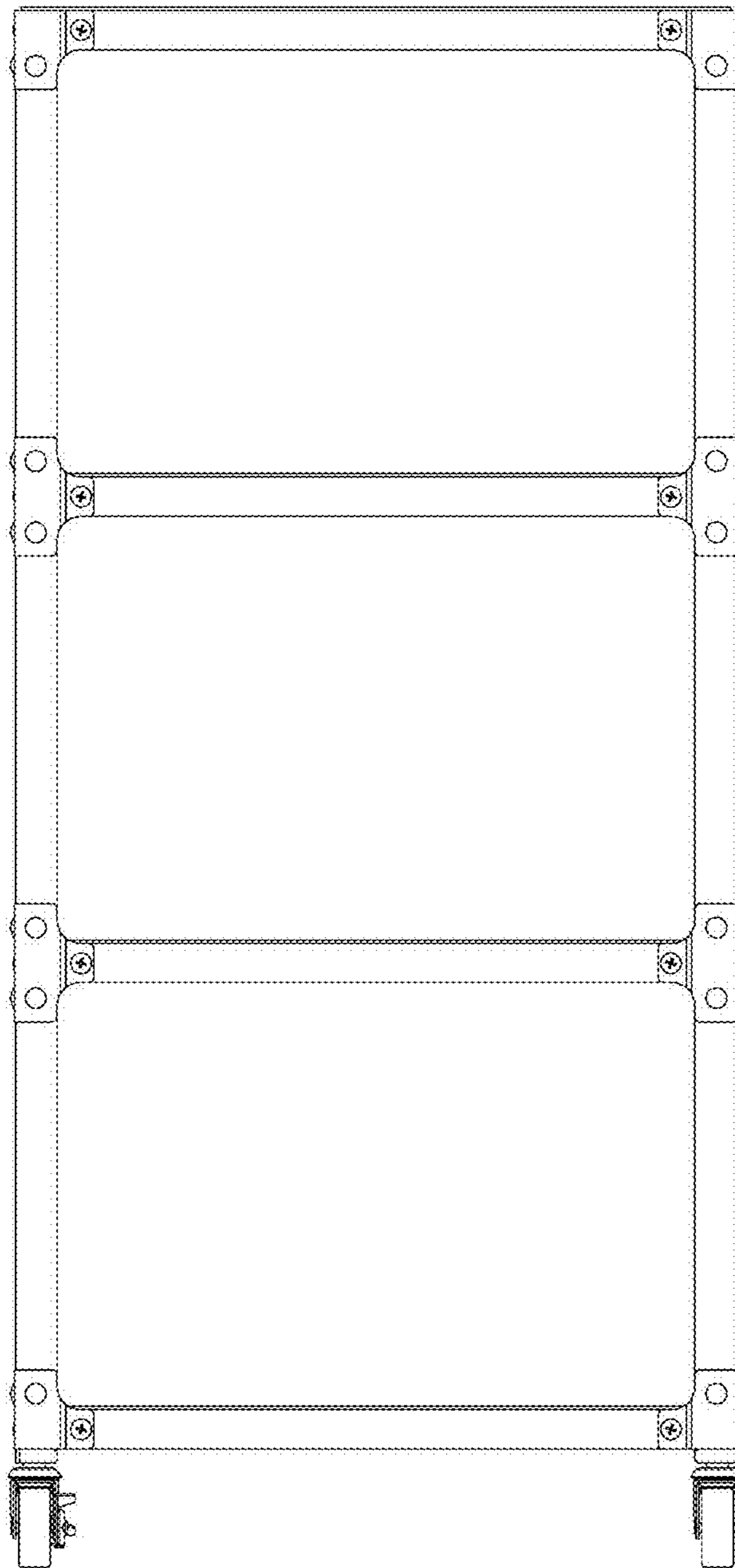


FIG. 2

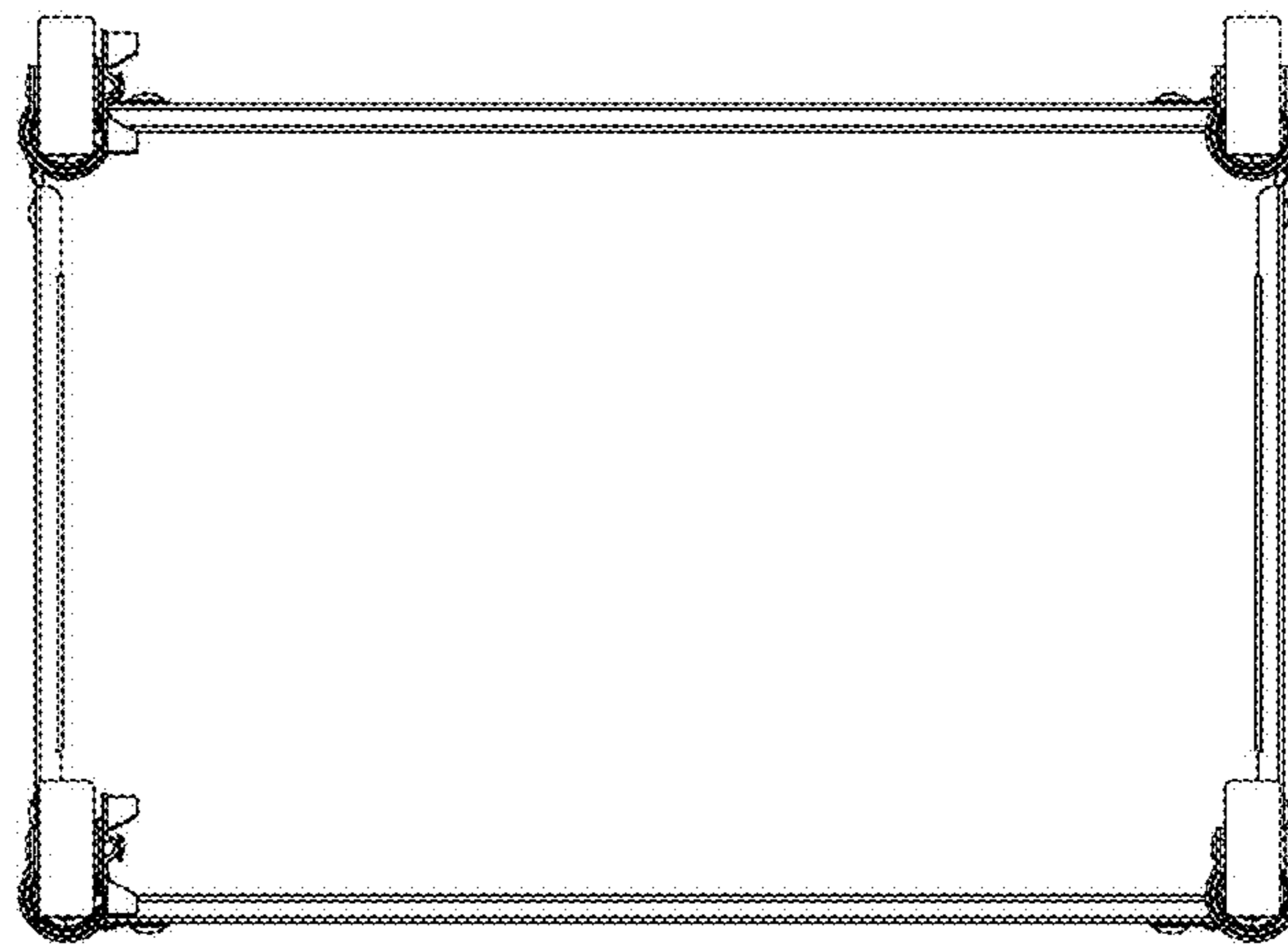


FIG. 3

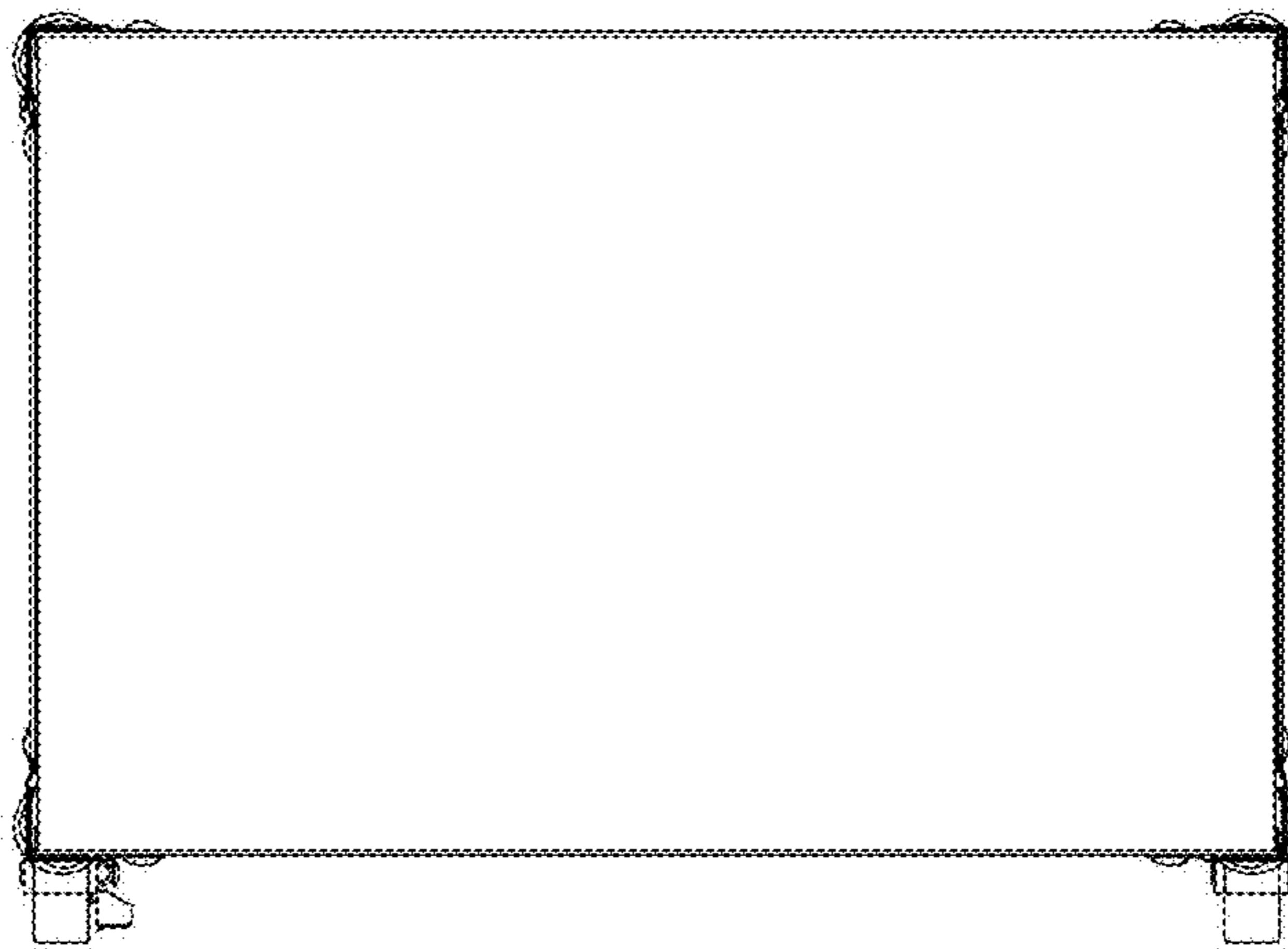


FIG. 4

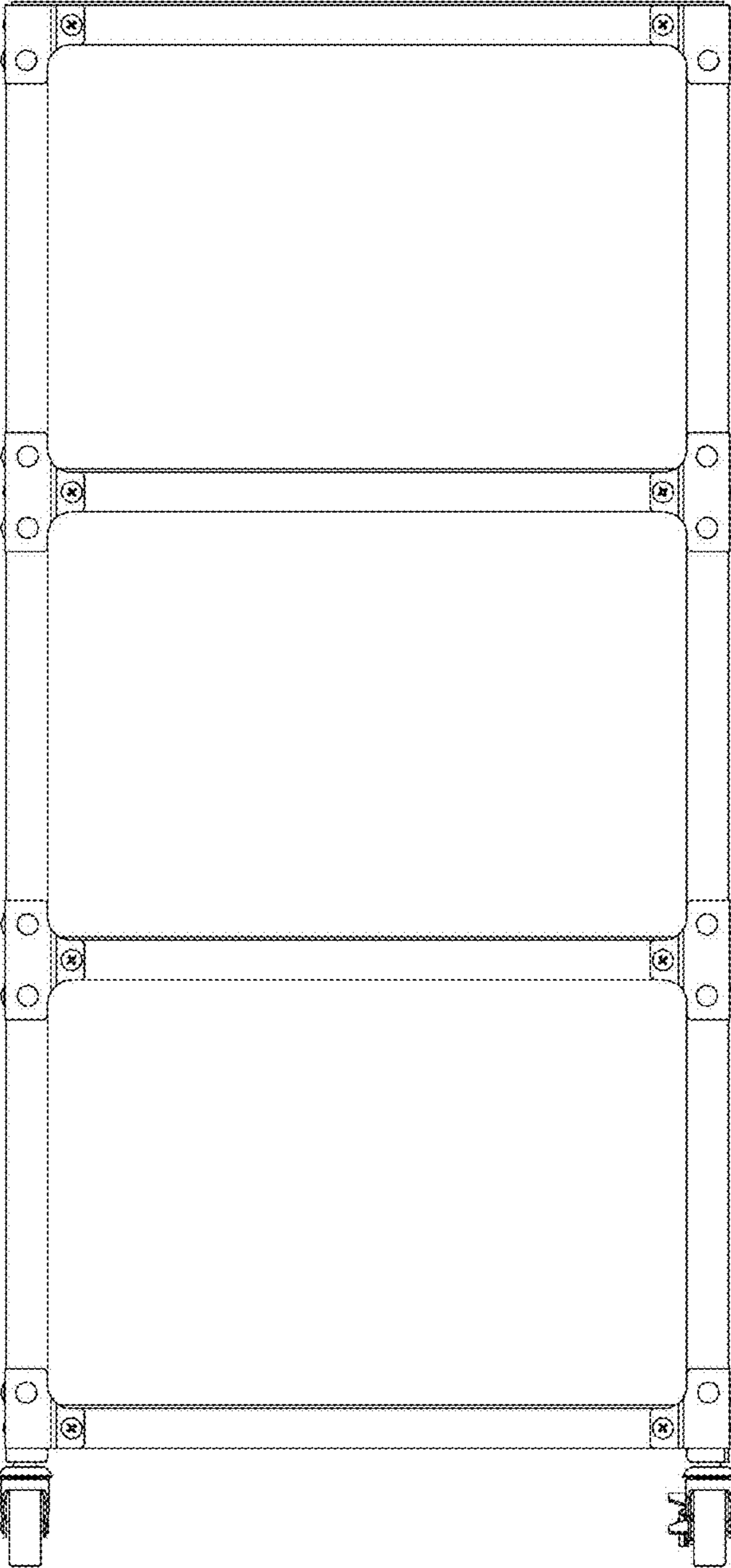


FIG. 5

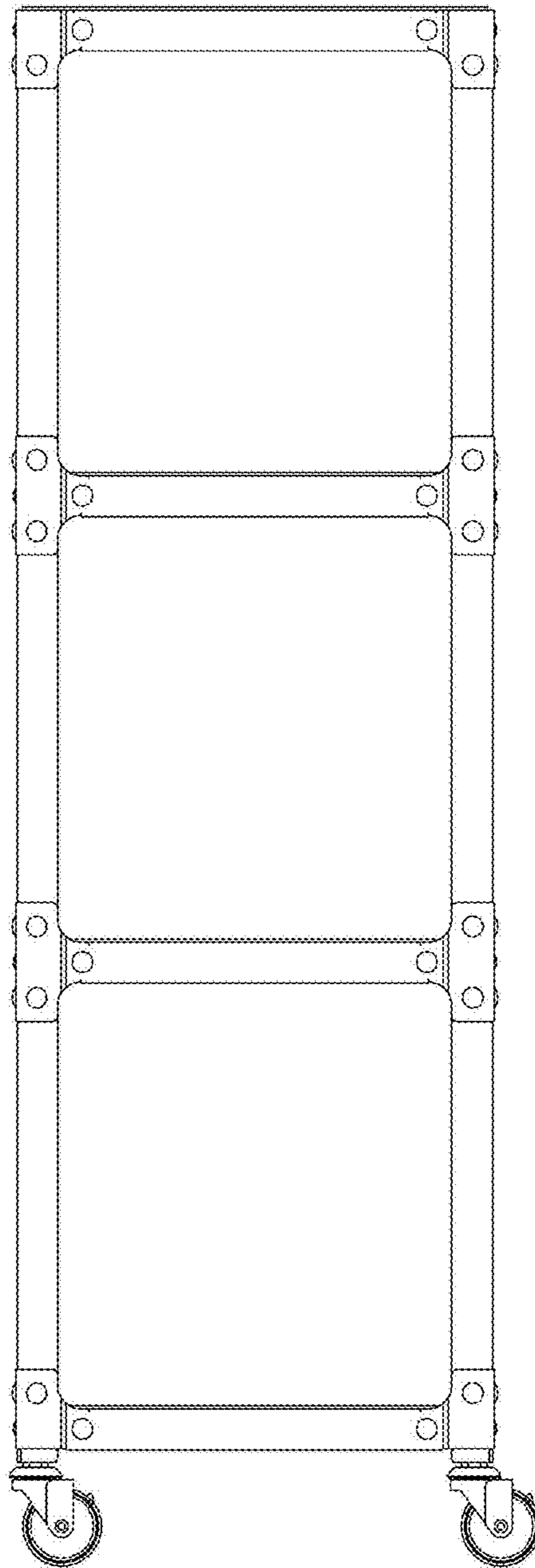


FIG. 6

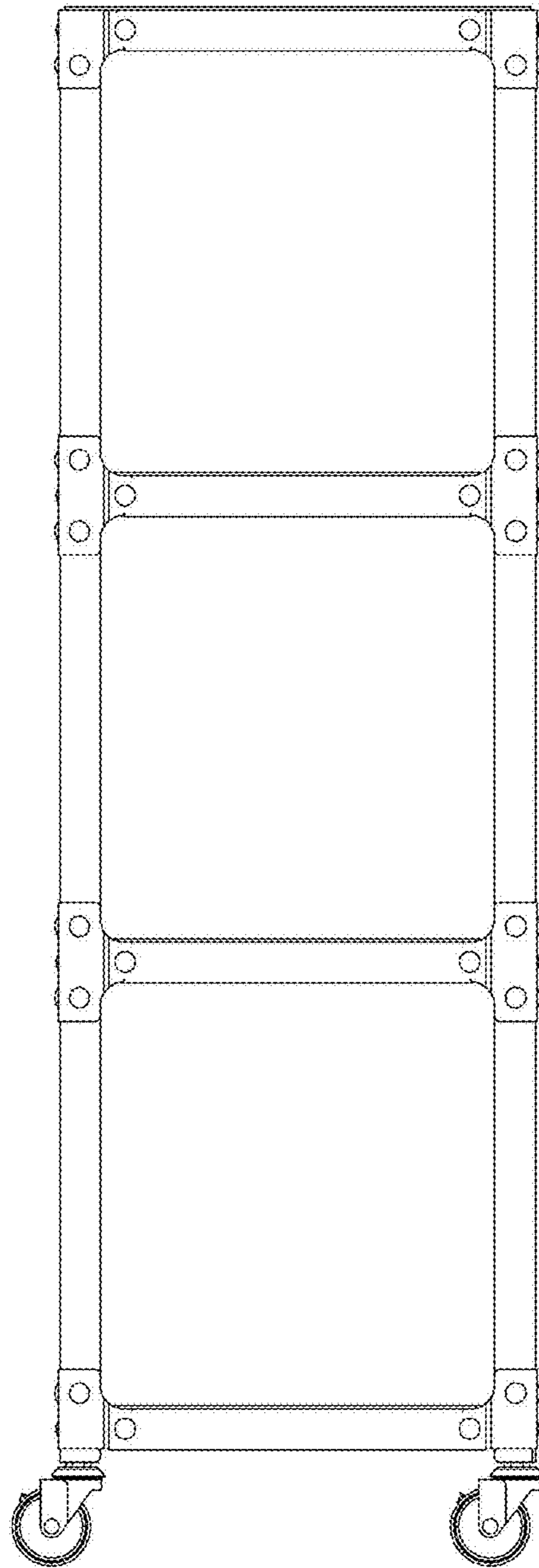


FIG. 7

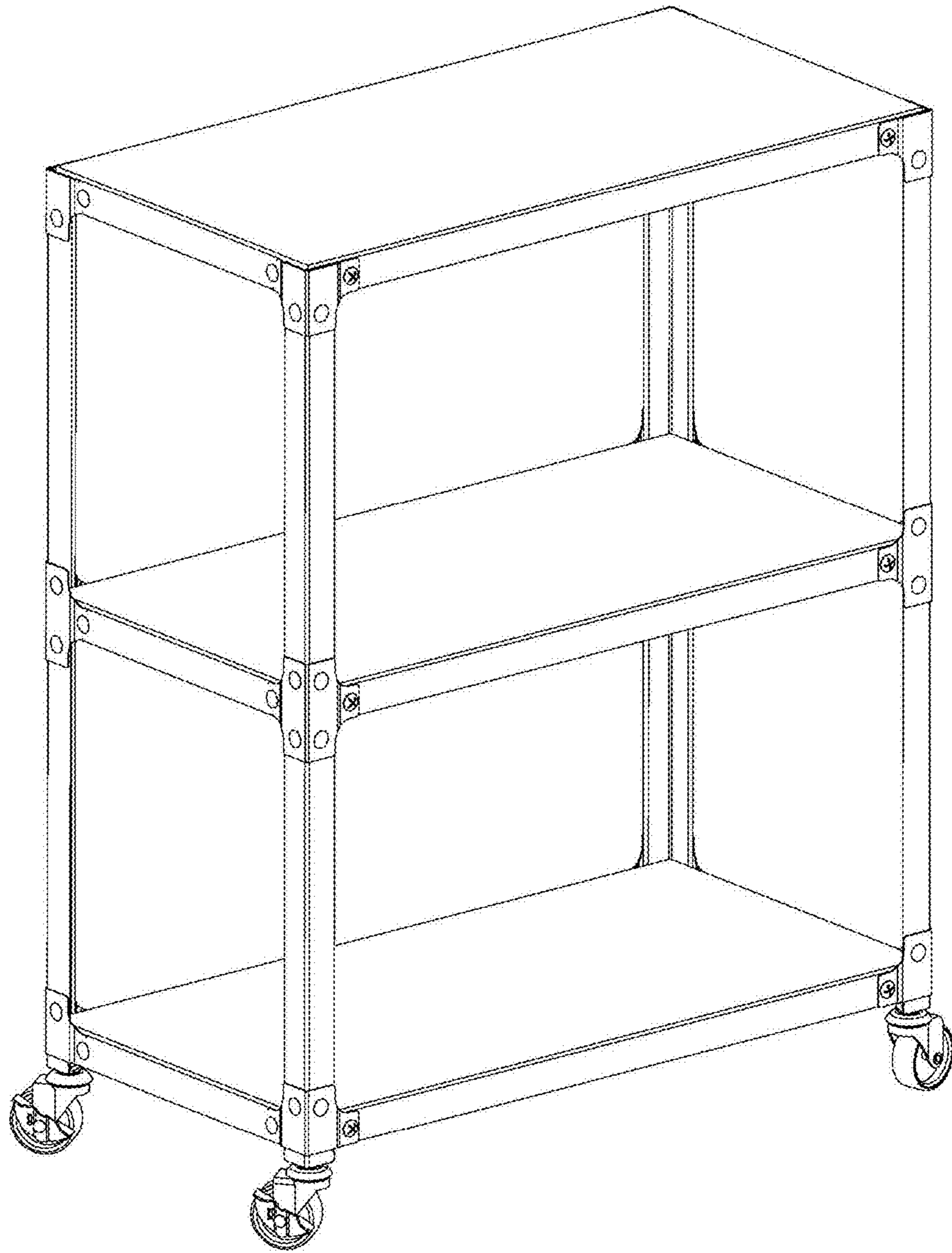


FIG. 8

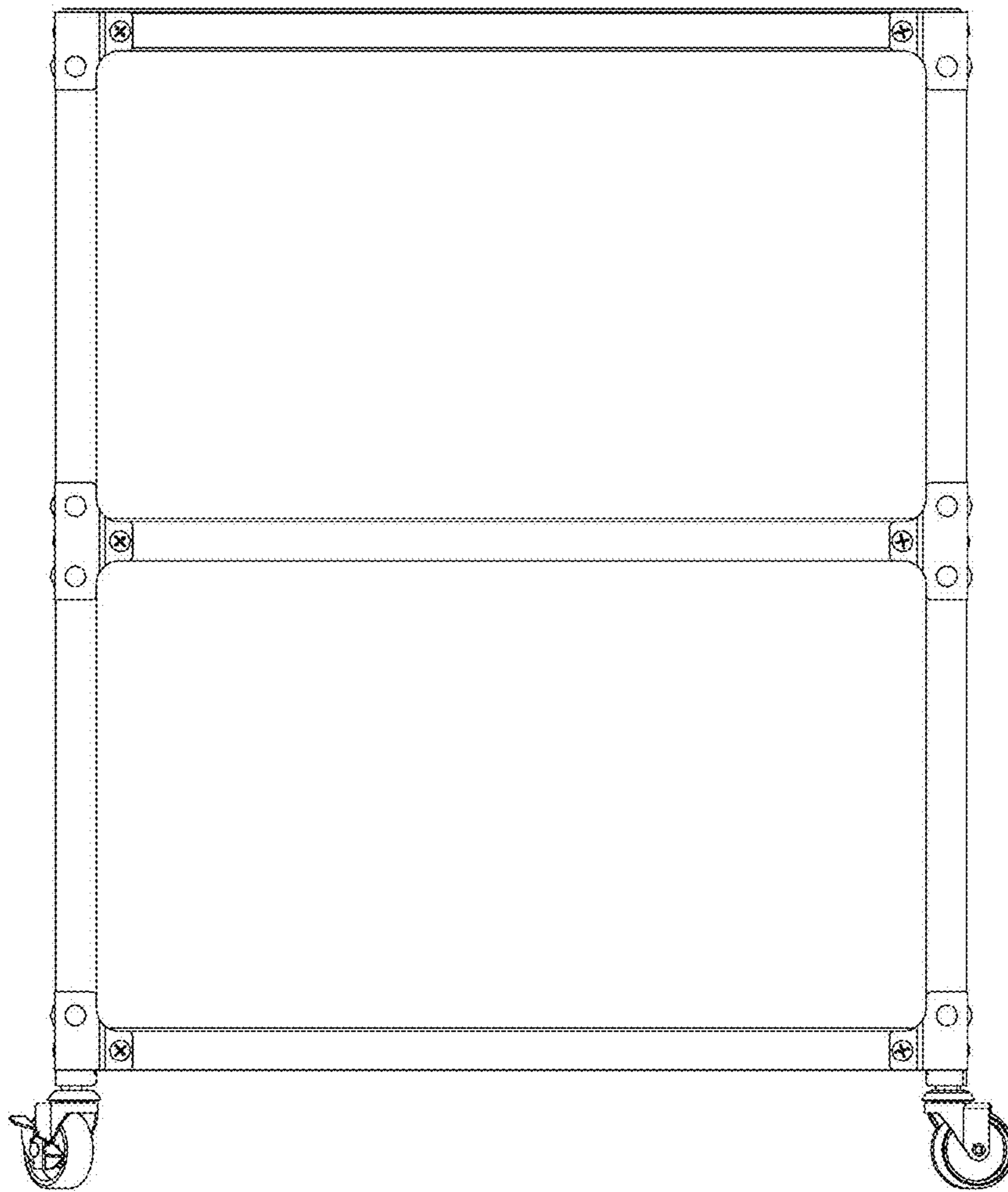


FIG. 9

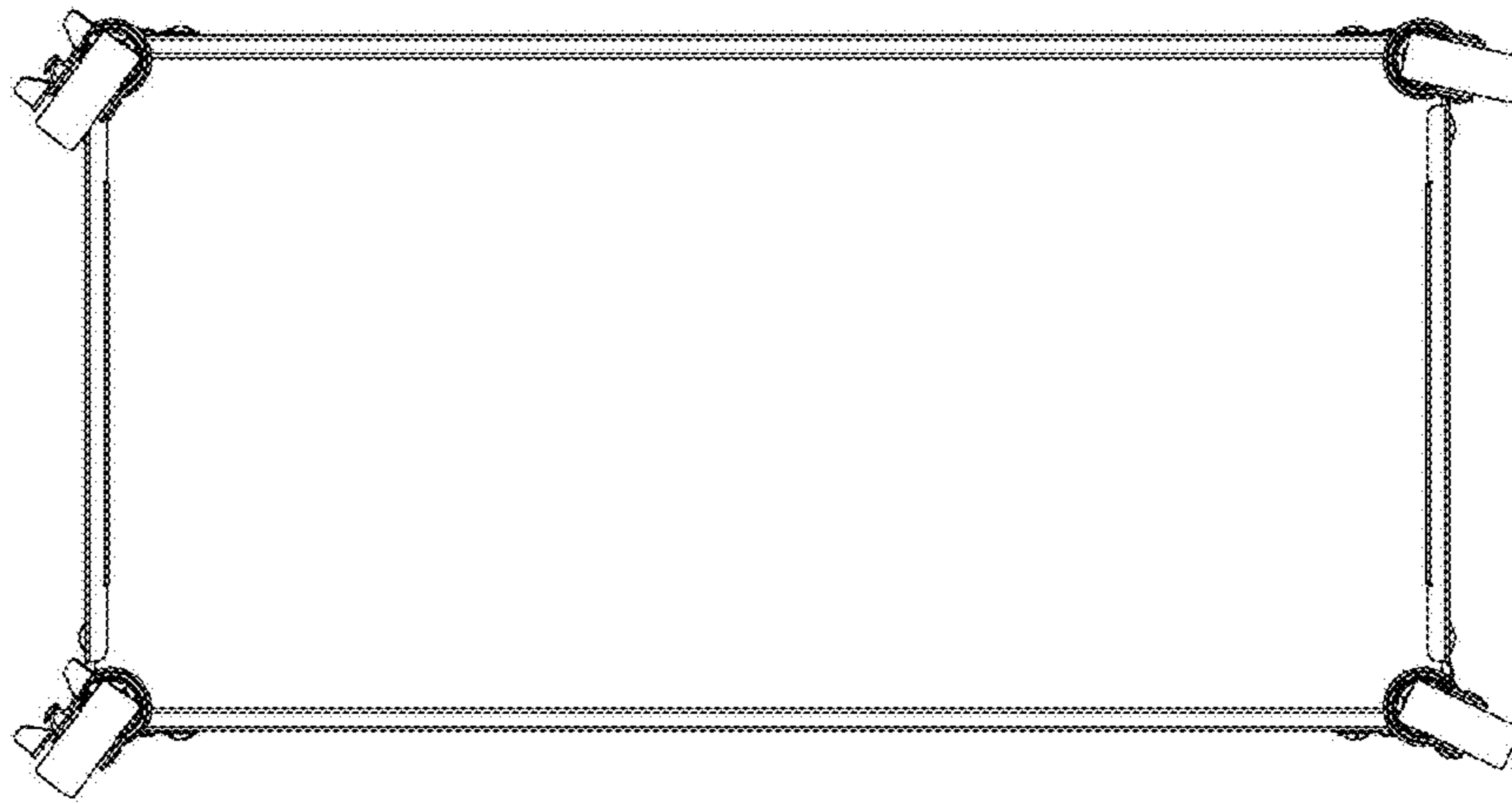


FIG. 10



FIG. 11

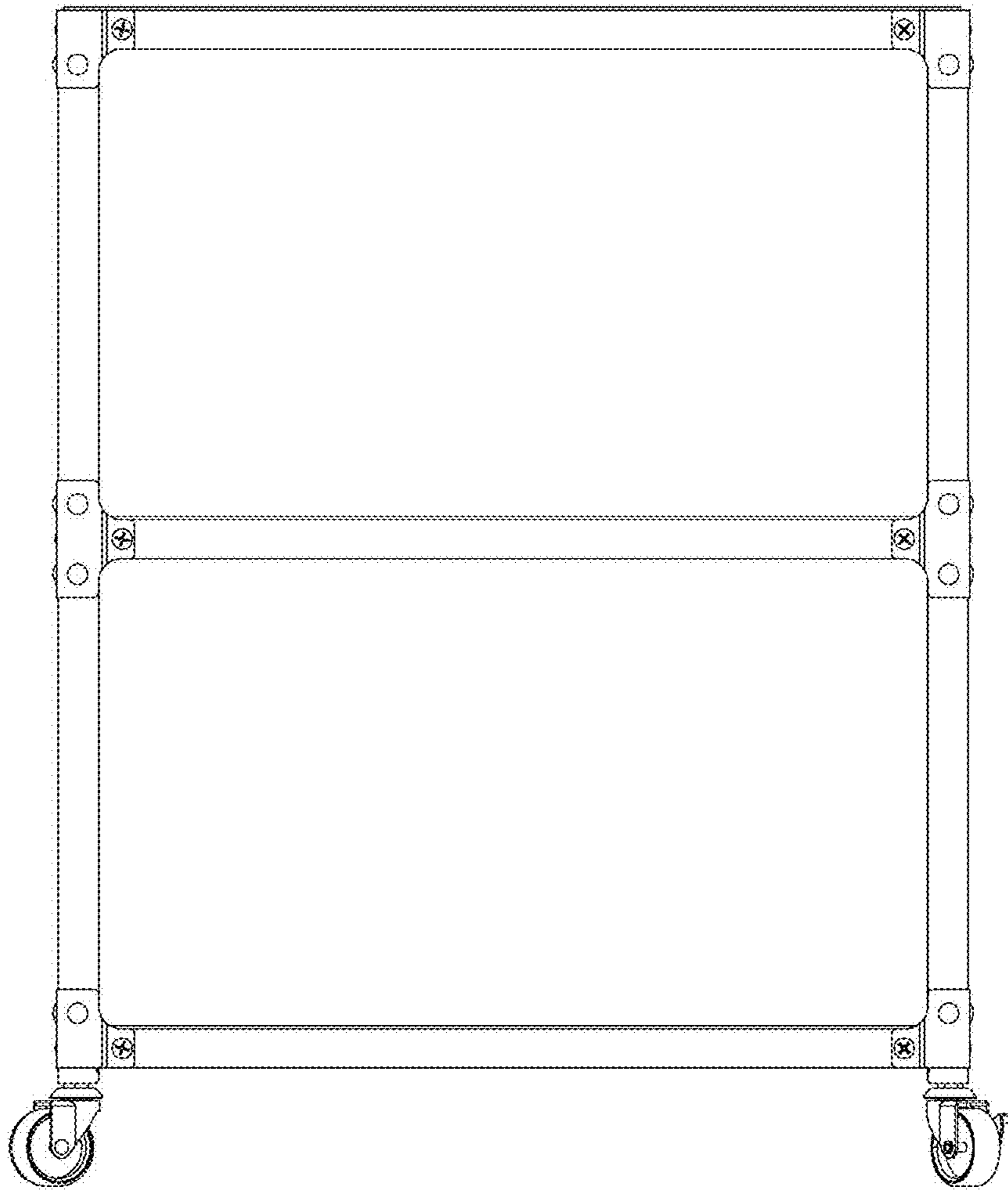


FIG. 12

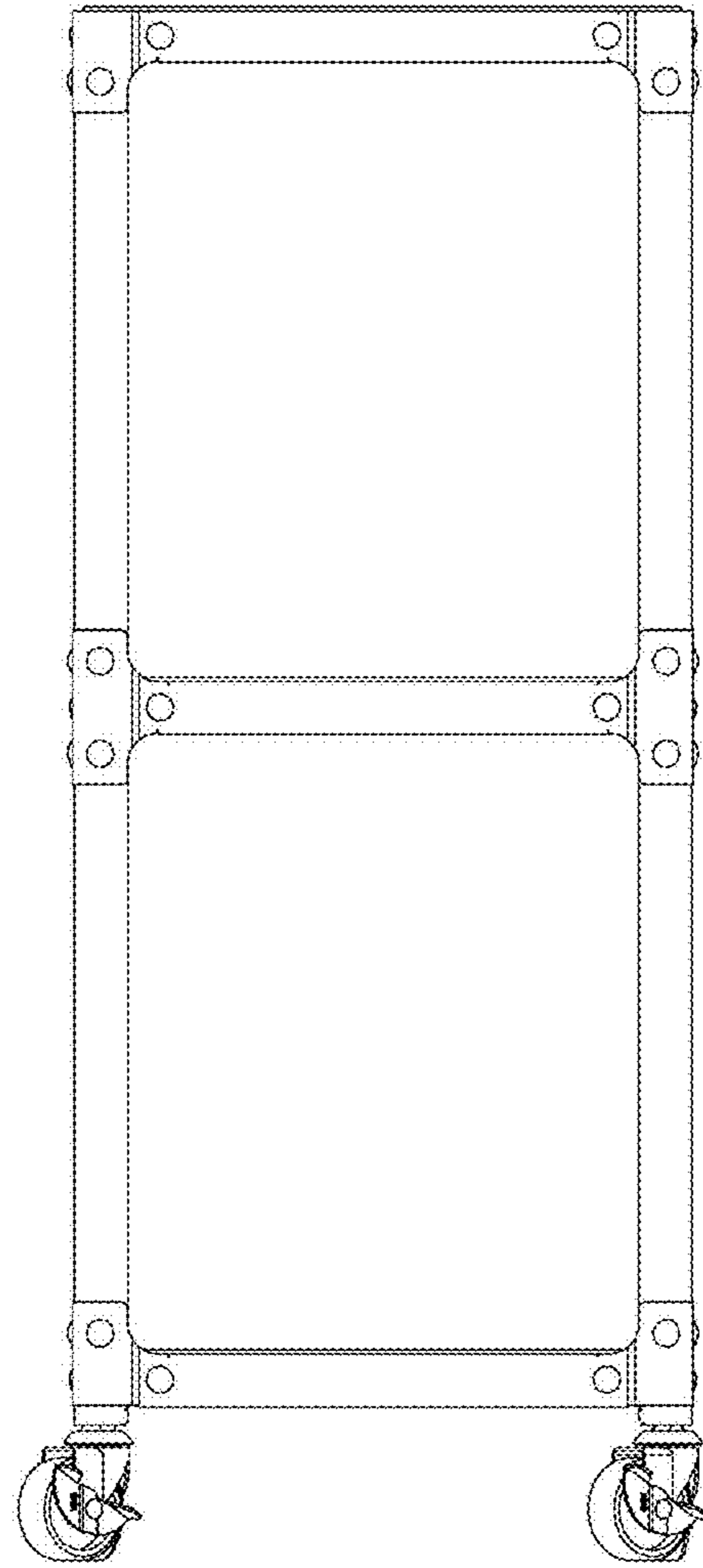


FIG. 13

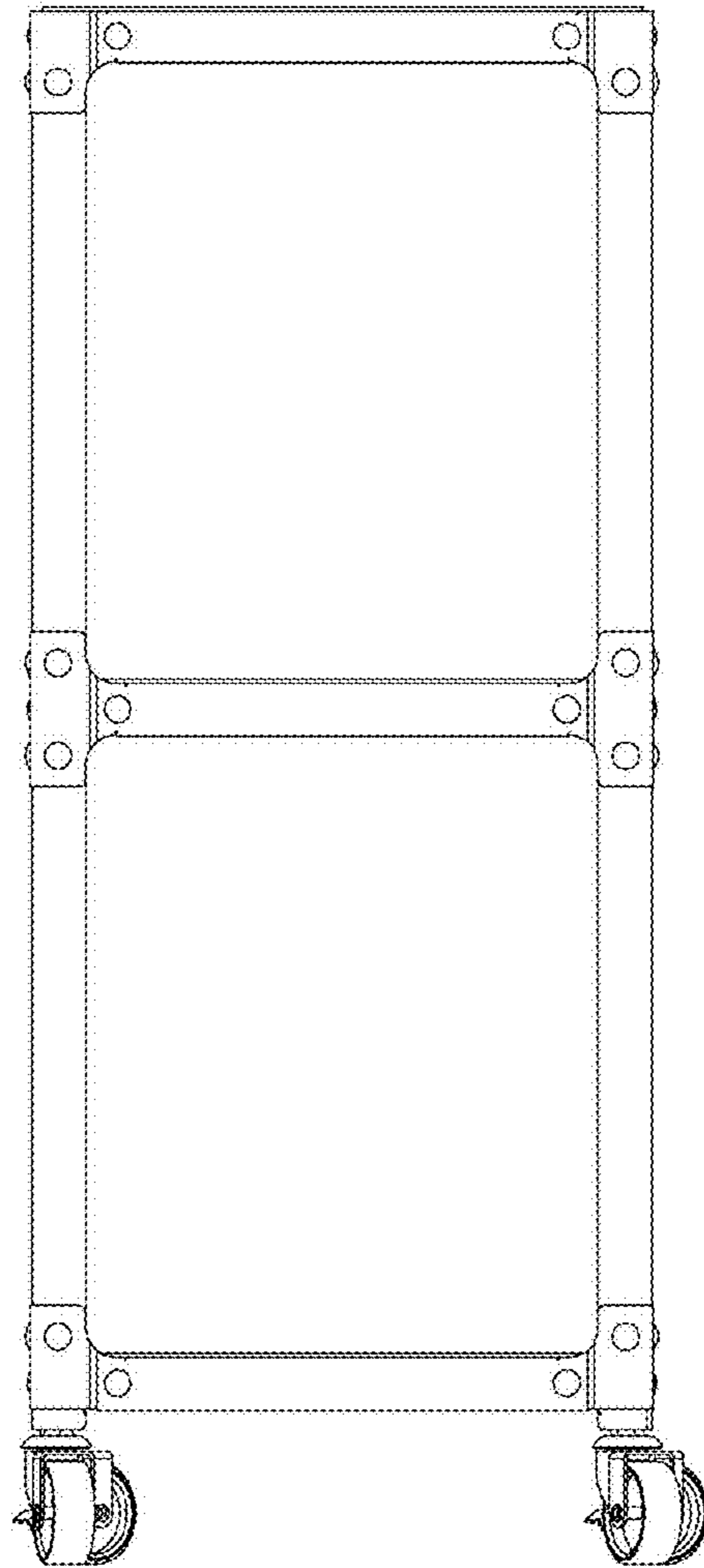


FIG. 14