



US00D857325S

(12) **United States Design Patent**
Pacheco

(10) **Patent No.:** **US D857,325 S**

(45) **Date of Patent:** **** Aug. 20, 2019**

(54) **SAND BAG LOADING HAND TRUCK**

(71) Applicant: **Daniel H. Pacheco**, Denver, CO (US)

(72) Inventor: **Daniel H. Pacheco**, Denver, CO (US)

(**) Term: **15 Years**

(21) Appl. No.: **29/598,549**

(22) Filed: **Mar. 27, 2017**

(51) **LOC (12) Cl.** **12-02**

(52) **U.S. Cl.**
USPC **D34/14**

(58) **Field of Classification Search**
USPC D34/12, 16, 24, 27, 14; 141/166, 114,
141/391, 316
CPC B65B 1/04; B65B 1/06; B60P 1/42; B60P
1/56
See application file for complete search history.

(56) **References Cited**

U.S. PATENT DOCUMENTS

- D272,863 S * 2/1984 McMullen D34/17
- D298,073 S * 10/1988 Johnson D34/1
- 5,009,344 A * 4/1991 Cooley A01C 15/003
141/363
- D346,261 S * 4/1994 Fay D34/28

- 5,615,990 A * 4/1997 Grieshop B60P 1/42
198/550.1
- D438,683 S * 3/2001 Eltvedt D34/19
- 6,209,880 B1 * 4/2001 Turnwald B60P 1/42
198/671
- D443,965 S * 6/2001 Gaalswyk D34/14
- D632,865 S * 2/2011 Wright D34/12

* cited by examiner

Primary Examiner — Cynthia Ramirez

(74) *Attorney, Agent, or Firm* — Patent Law Offices of Rick Martin, P.C.

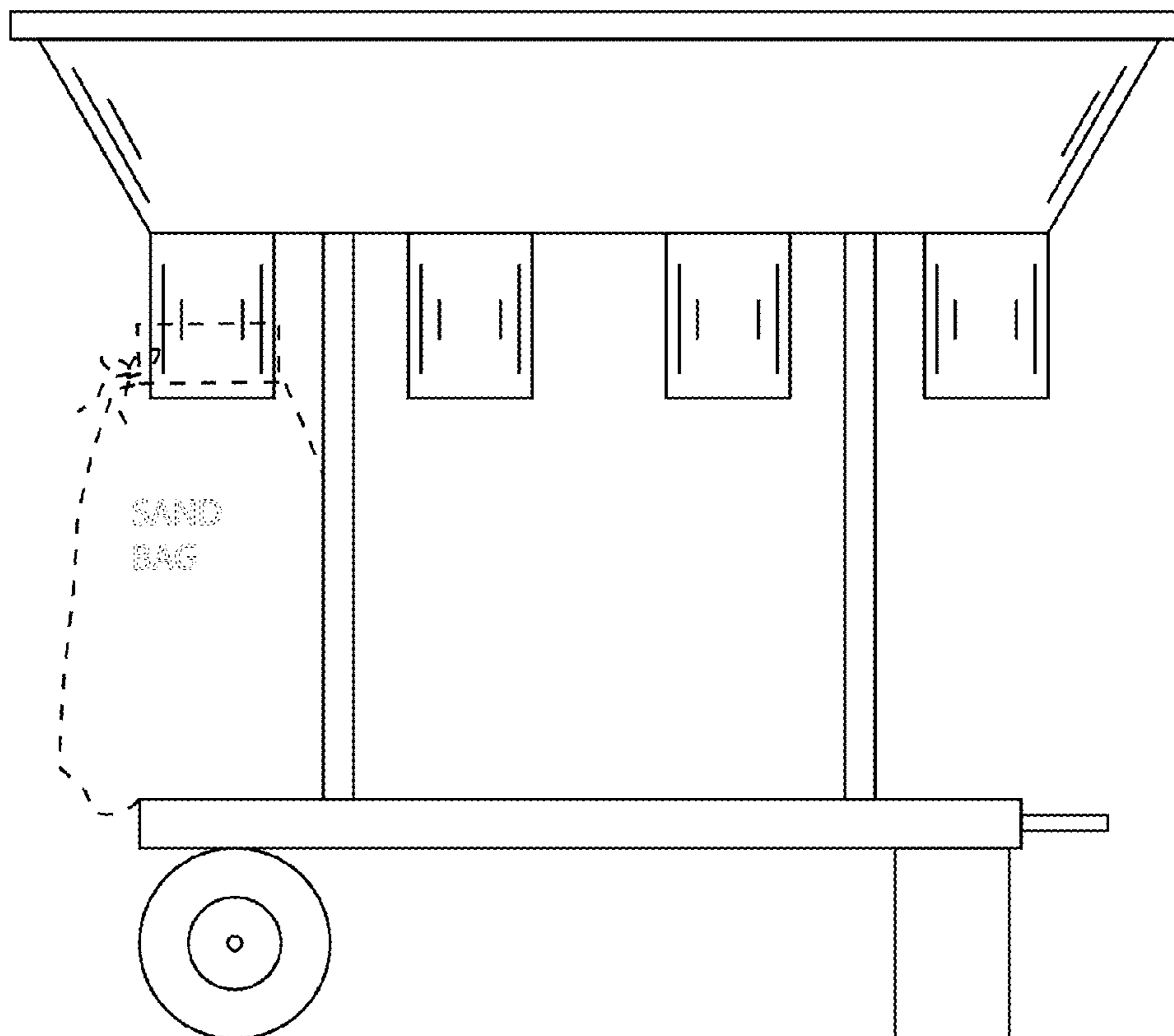
(57) **CLAIM**

The ornamental design for a sand bag loading hand truck, as shown and described.

DESCRIPTION

FIG. 1 is a left side elevation view for a sand bag loading hand truck, the right side elevation view being a mirror image thereof;
 FIG. 2 is a back elevation view of my new design;
 FIG. 3 is a front elevation view of my new design;
 FIG. 4 is a top plan view of my new design;
 FIG. 5 is a bottom plan view of my new design; and,
 FIG. 6 is a top perspective view of my new design.
 The sand bag shown in broken lines in FIG. 1 is to show environment and form no part of the claimed design.

1 Claim, 6 Drawing Sheets



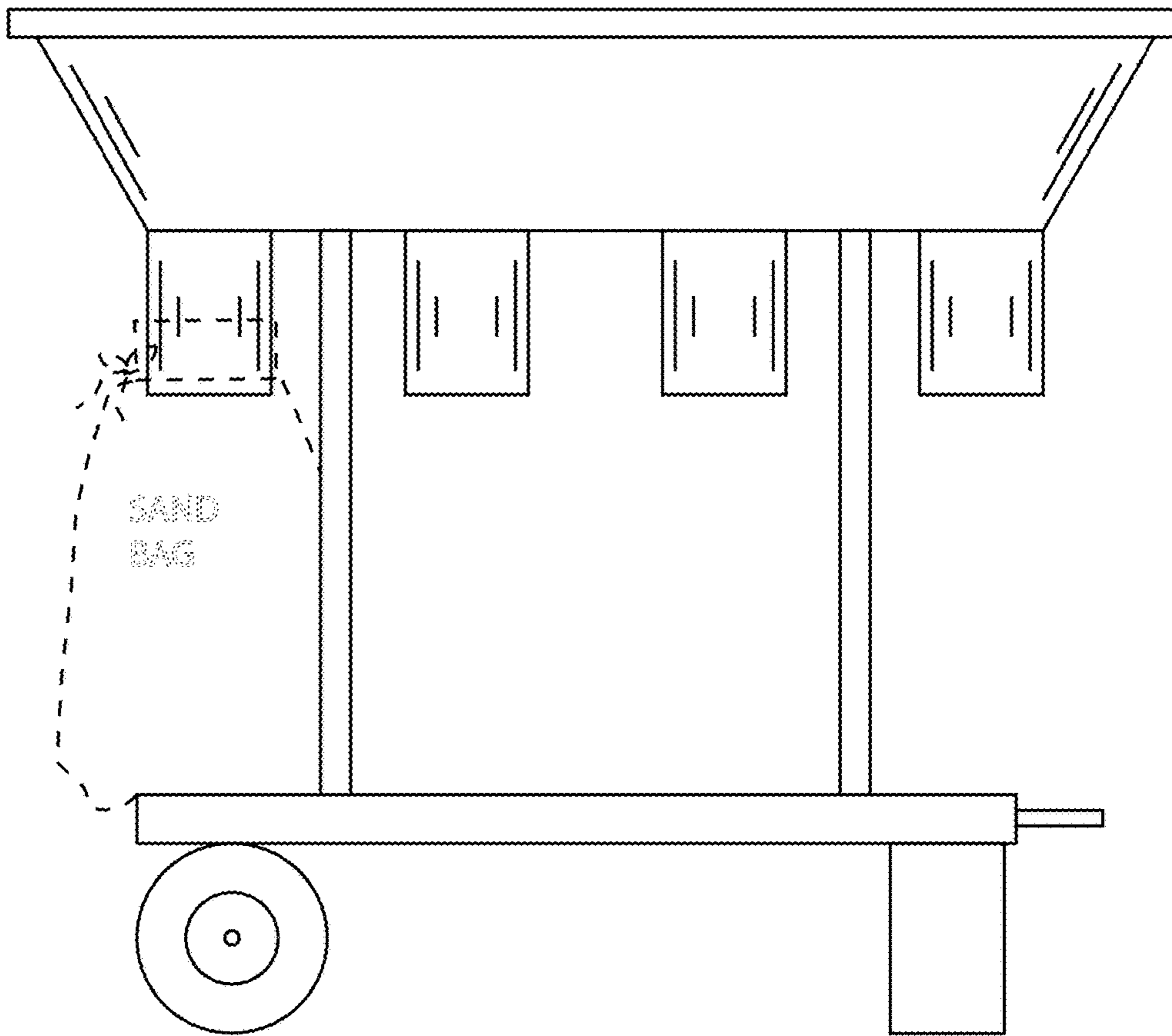


FIG.1

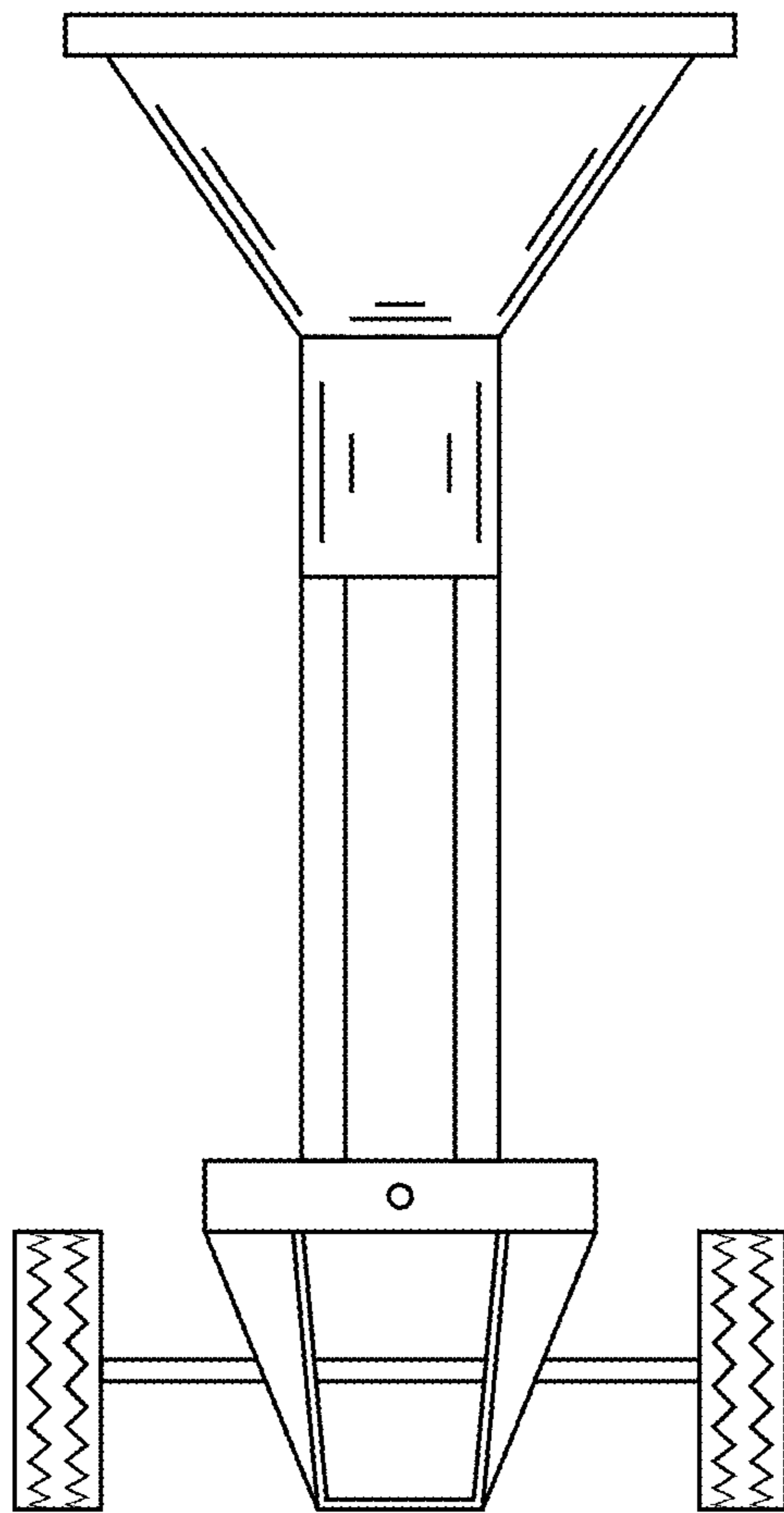


FIG.2

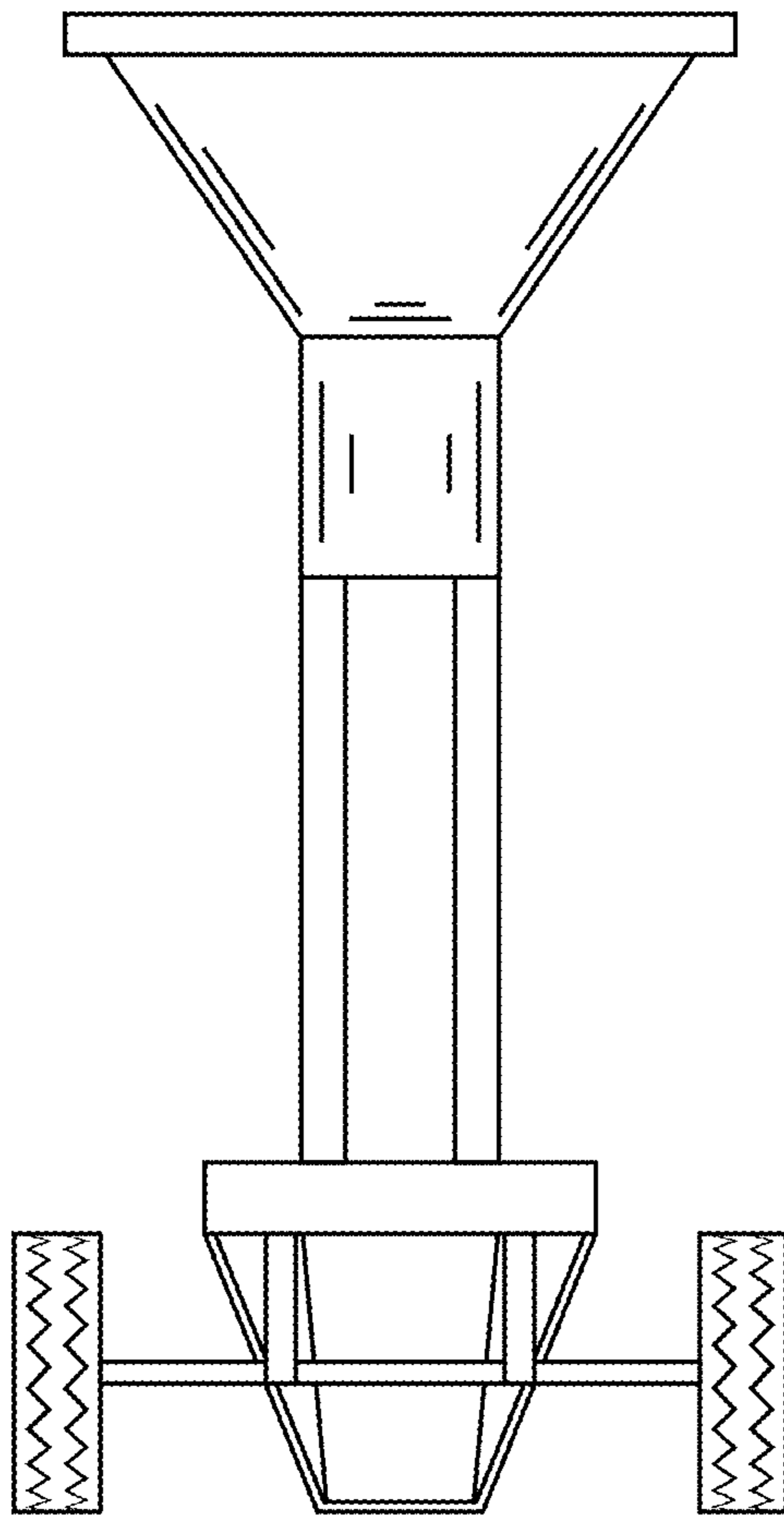


FIG.3

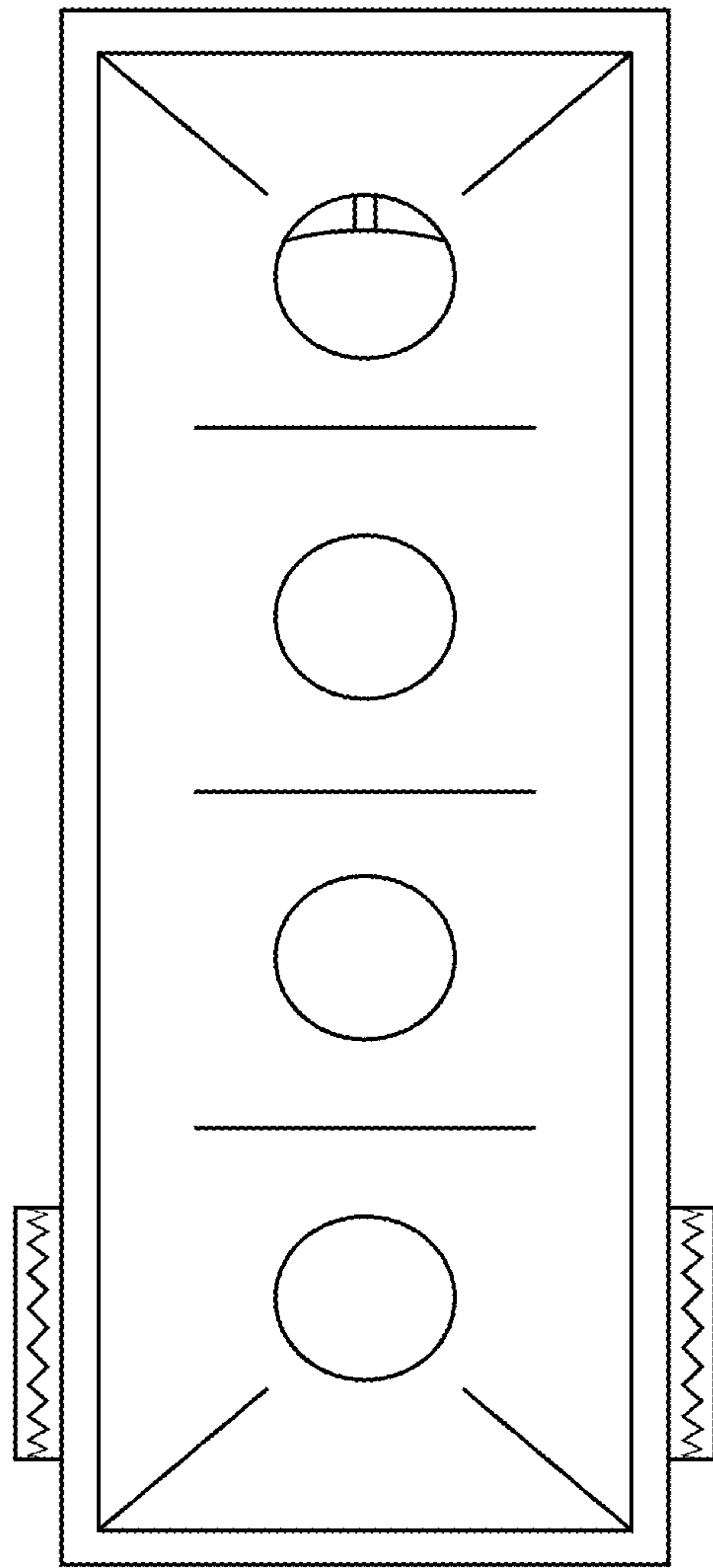


FIG.4

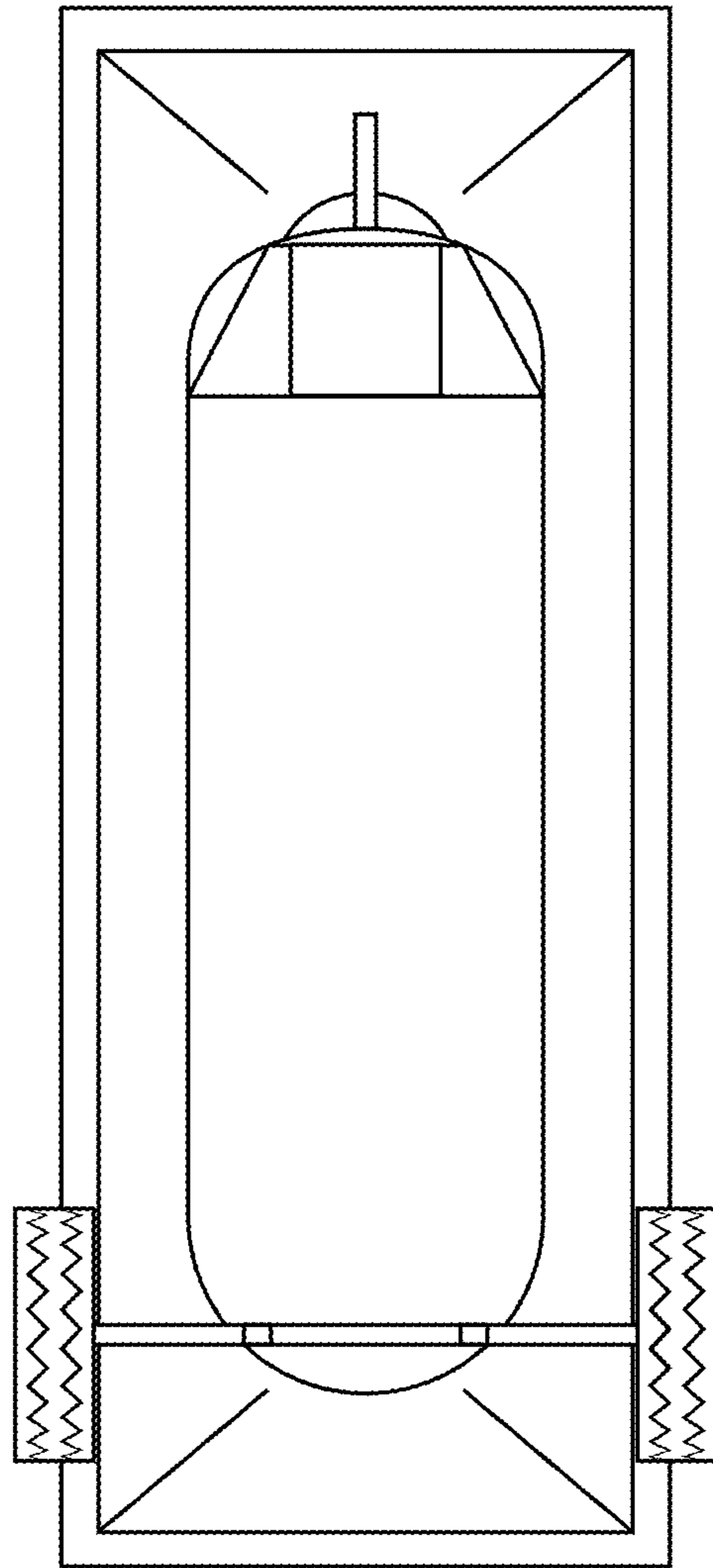


FIG.5

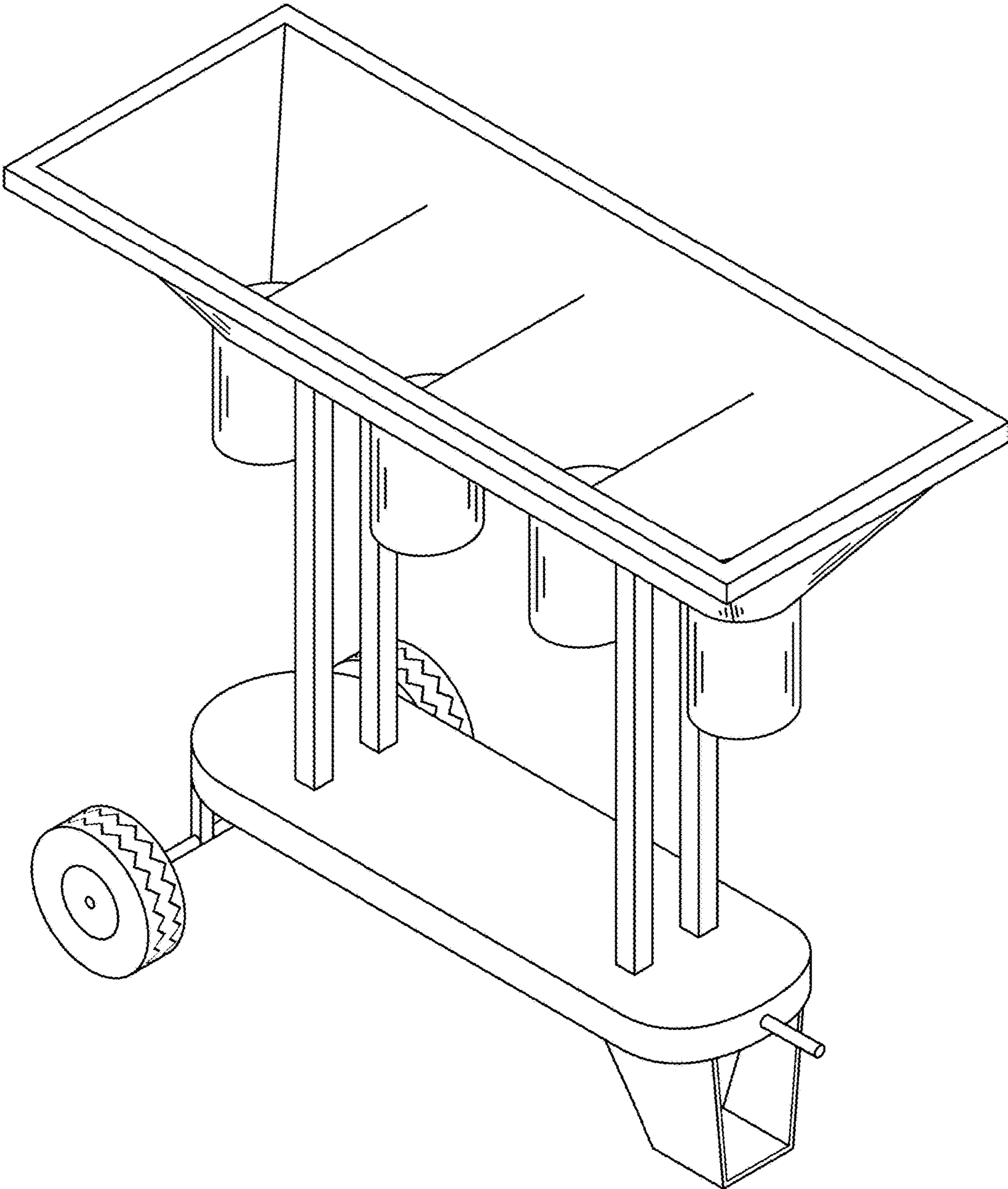


FIG.6