



US00D857324S

(12) **United States Design Patent Grant** (10) **Patent No.:** **US D857,324 S**
(45) **Date of Patent:** **** Aug. 20, 2019**

(54) **WASTEBASKET**

(71) Applicant: **Erwyn Products Co., Inc.**,
Morganville, NJ (US)

(72) Inventor: **David Rustin Grant**, Shrewsbury, NJ
(US)

(73) Assignee: **Erwyn Products Co., Inc.**,
Morganville, NJ (US)

(**) Term: **15 Years**

(21) Appl. No.: **29/668,926**

(22) Filed: **Nov. 2, 2018**

D738,588 S * 9/2015 Bergemann D34/7
D763,531 S * 8/2016 Mattern D34/7
D779,761 S * 2/2017 Bergemann D34/7
D800,985 S * 10/2017 Bersch D34/1
D834,277 S * 11/2018 Buchan D34/7

* cited by examiner

Primary Examiner — Cynthia Ramirez

Assistant Examiner — Gino Colan

(74) *Attorney, Agent, or Firm* — Dergosits & Noah LLP

(57) **CLAIM**

The ornamental design for a wastebasket, as shown and described.

Related U.S. Application Data

(62) Division of application No. 29/615,500, filed on Aug. 29, 2017.

(51) **LOC (12) Cl.** **09-09**

(52) **U.S. Cl.**
USPC **D34/1**

(58) **Field of Classification Search**
USPC D34/1-1.1, 3-11, 19, 27; 220/908;
D7/400, 602; D3/304, 320, 306
CPC B65F 1/1473; B62B 2202/028
See application file for complete search history.

(56) **References Cited**

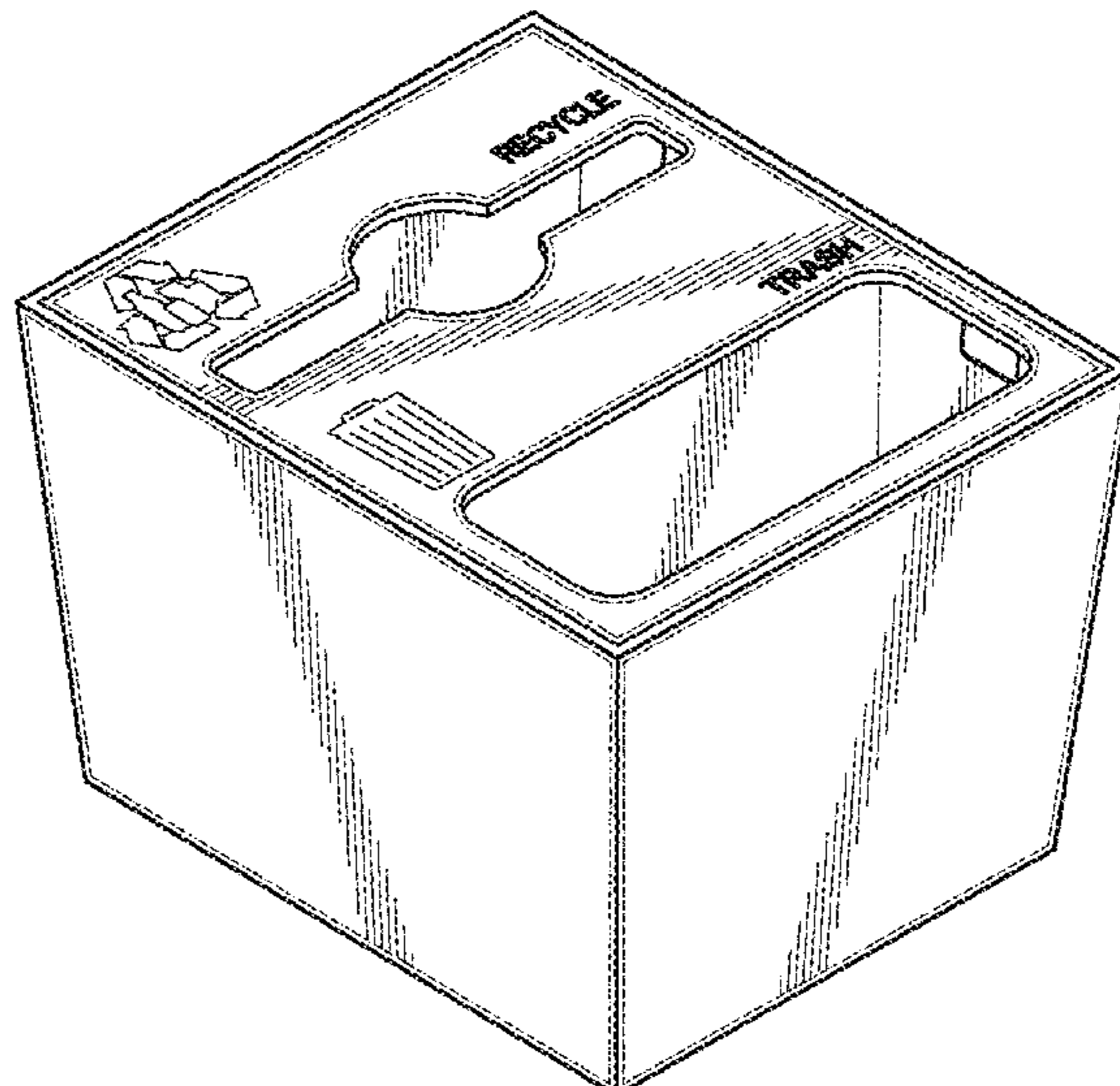
U.S. PATENT DOCUMENTS

5,398,838 A * 3/1995 Dosunmu B65F 1/004
220/495.08
D586,521 S * 2/2009 Pho D34/11
D604,472 S * 11/2009 Blanks D34/7
D638,598 S * 5/2011 Ziech D34/1
D639,518 S * 6/2011 Zeulner D34/1
D668,414 S * 10/2012 McNay D34/7
D680,702 S * 4/2013 Bennie D34/1
D681,301 S * 4/2013 Bennie D34/1

DESCRIPTION

FIG. 1 is a perspective view of a wastebasket showing my new design.
FIG. 2 is an exploded view showing the lid, inner liners, and bottom of the wastebasket.
FIG. 3 is a top plan view thereof.
FIG. 4 is a left side elevation view thereof.
FIG. 5 is top plan view of the lid.
FIG. 6 is a left side elevation view of the lid.
FIG. 7 is a front elevation view of the lid.
FIG. 8 is a front elevation view of bottom.
FIG. 9 is a top plan view of the bottom.
FIG. 10 is a right elevation view of one of the inner liners.
FIG. 11 is a front elevation view of one of the inner liners; and,
FIG. 12 is a top plan view of one of the inner liners.
The different elements of the waste basket are being shown separately in FIGS. 5 through 12 for convenience of illustration. The broken lines shown in the Figures are for the purpose of illustrating stitching and are part of the claimed design.

1 Claim, 6 Drawing Sheets



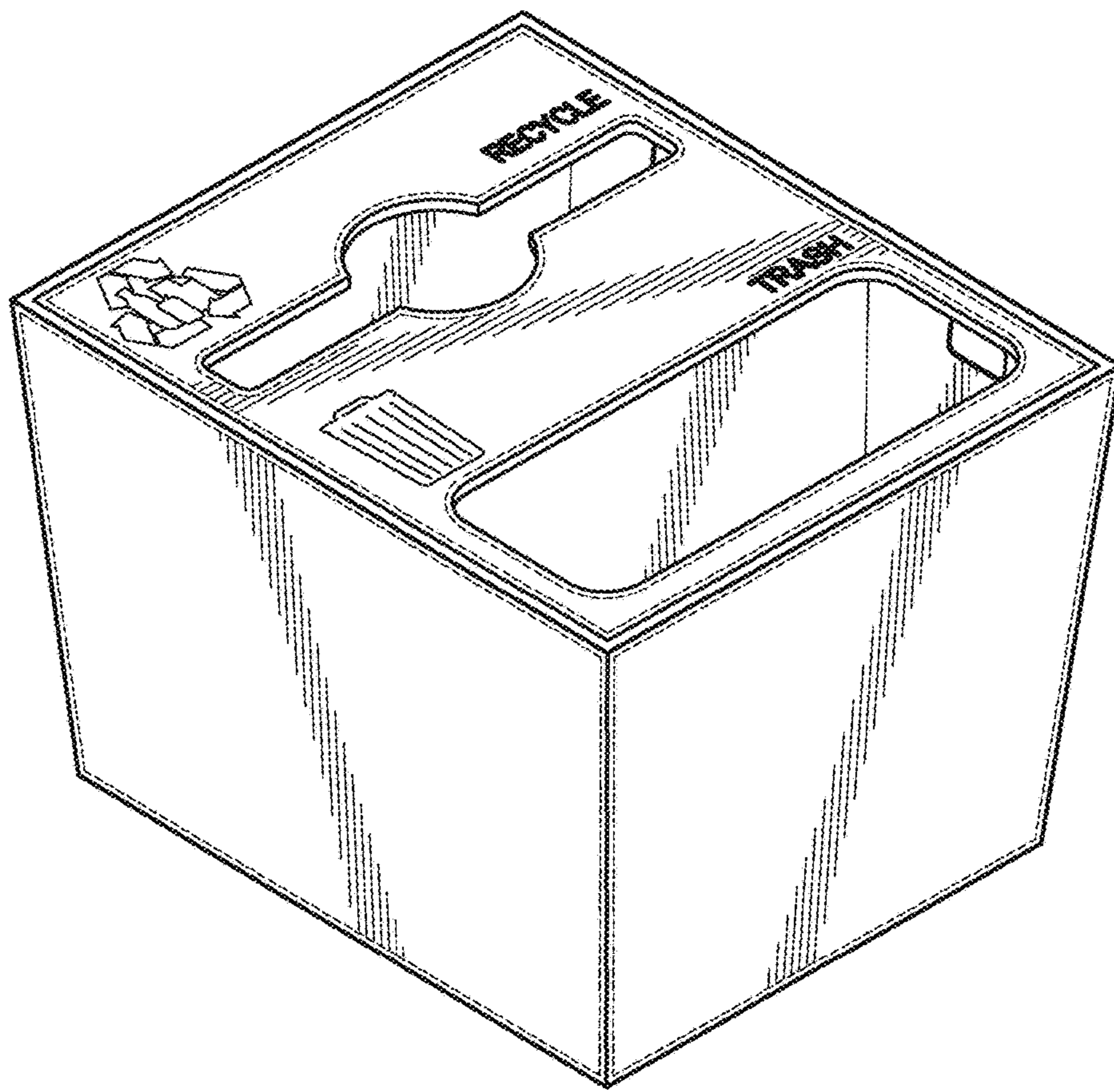


FIG. 1

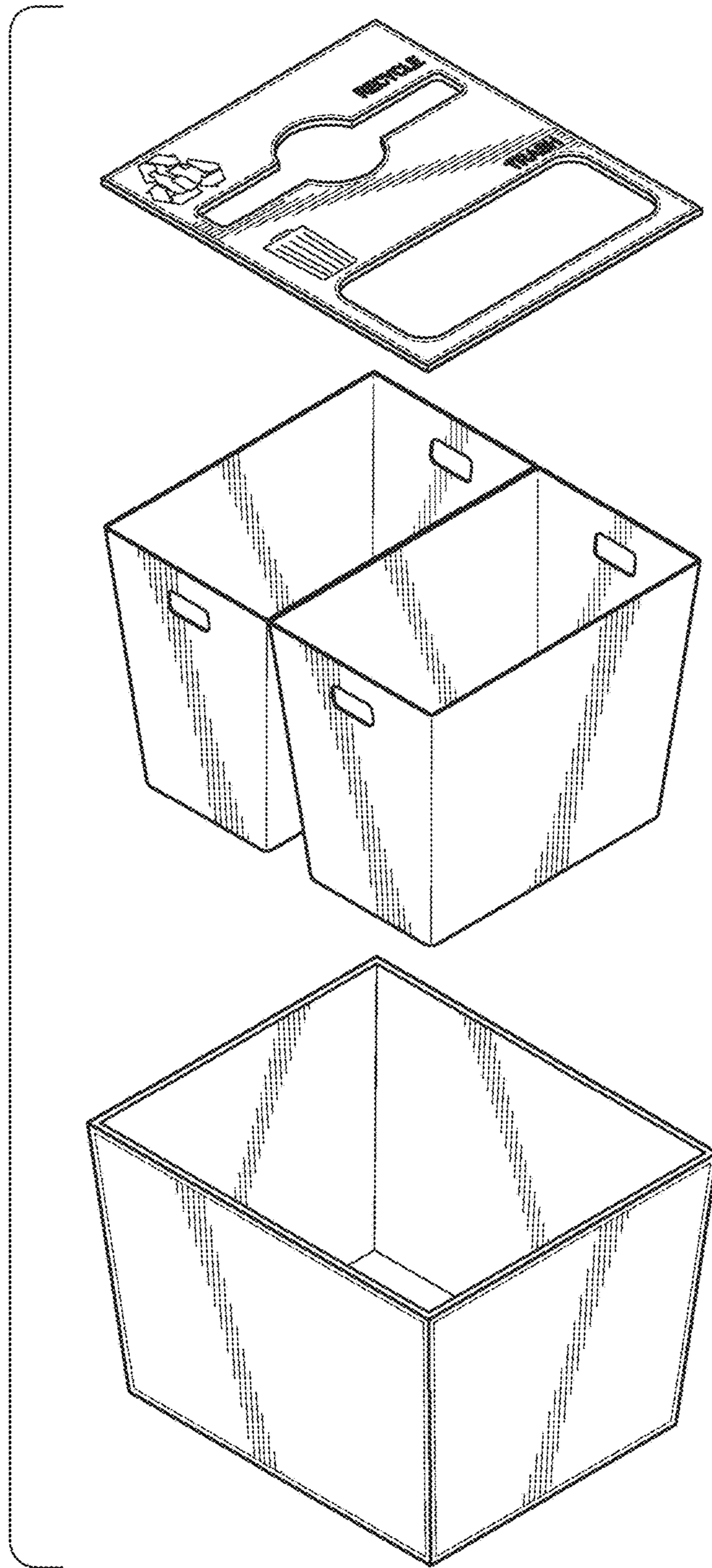


FIG. 2

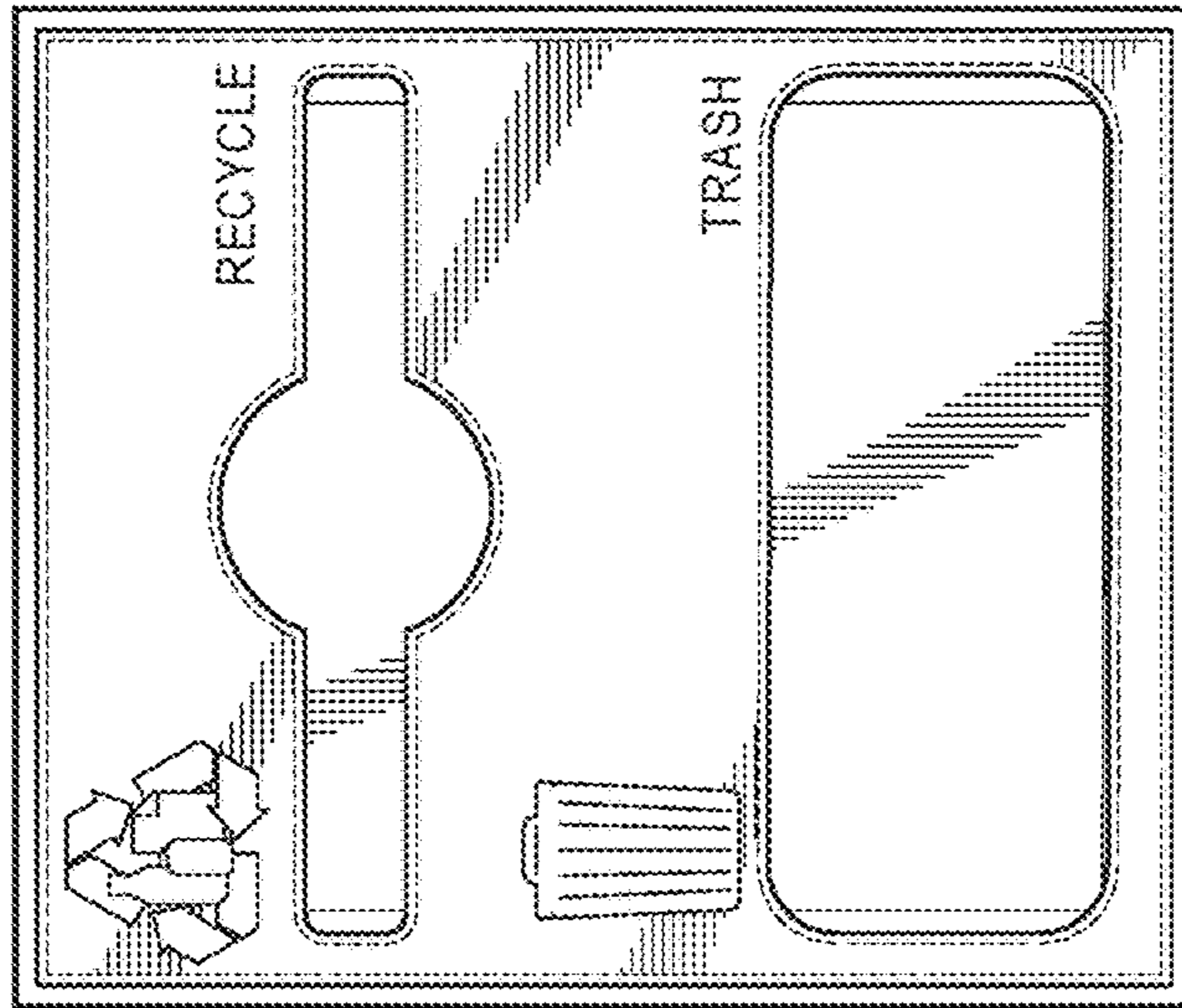


FIG. 3

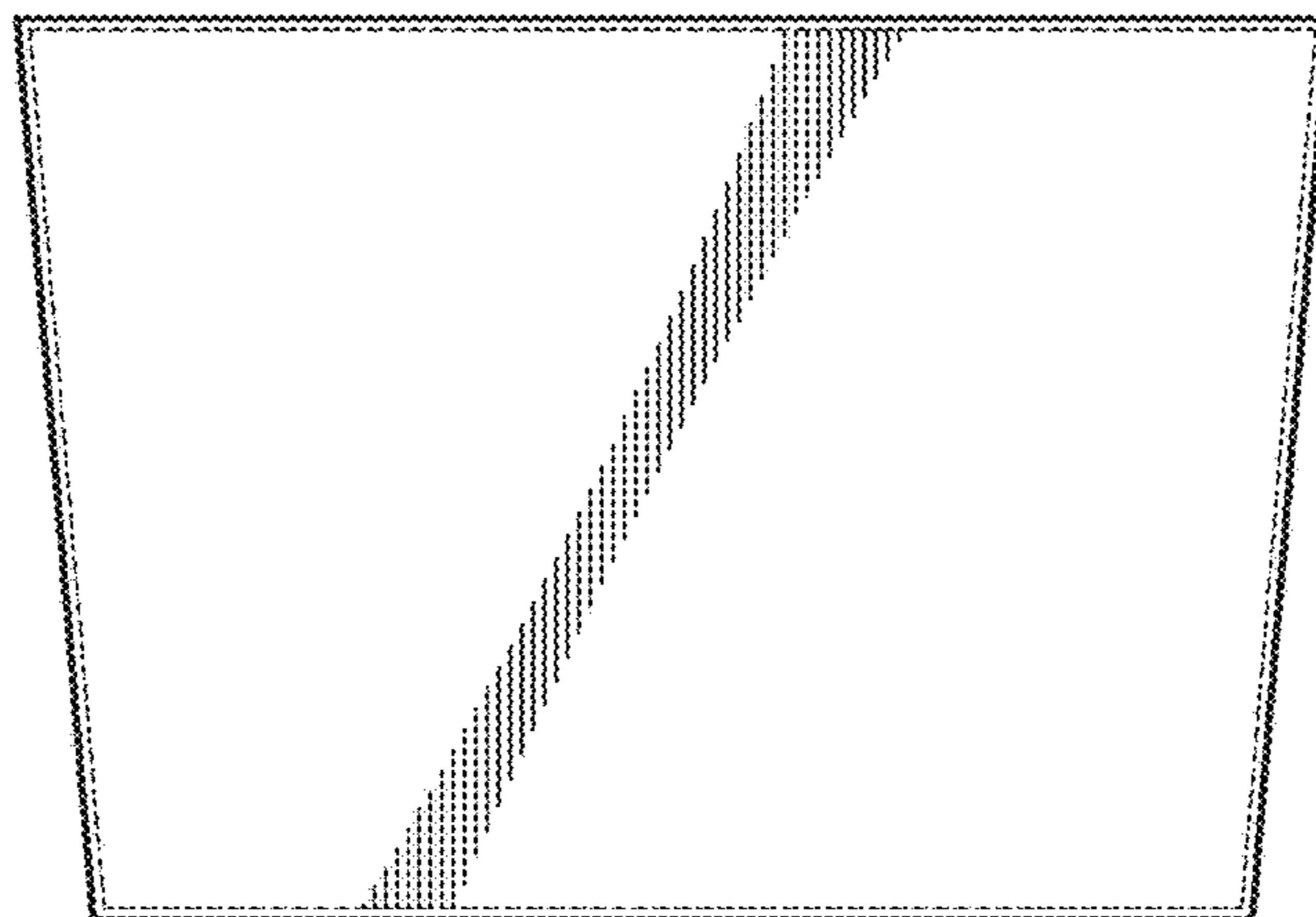


FIG. 4

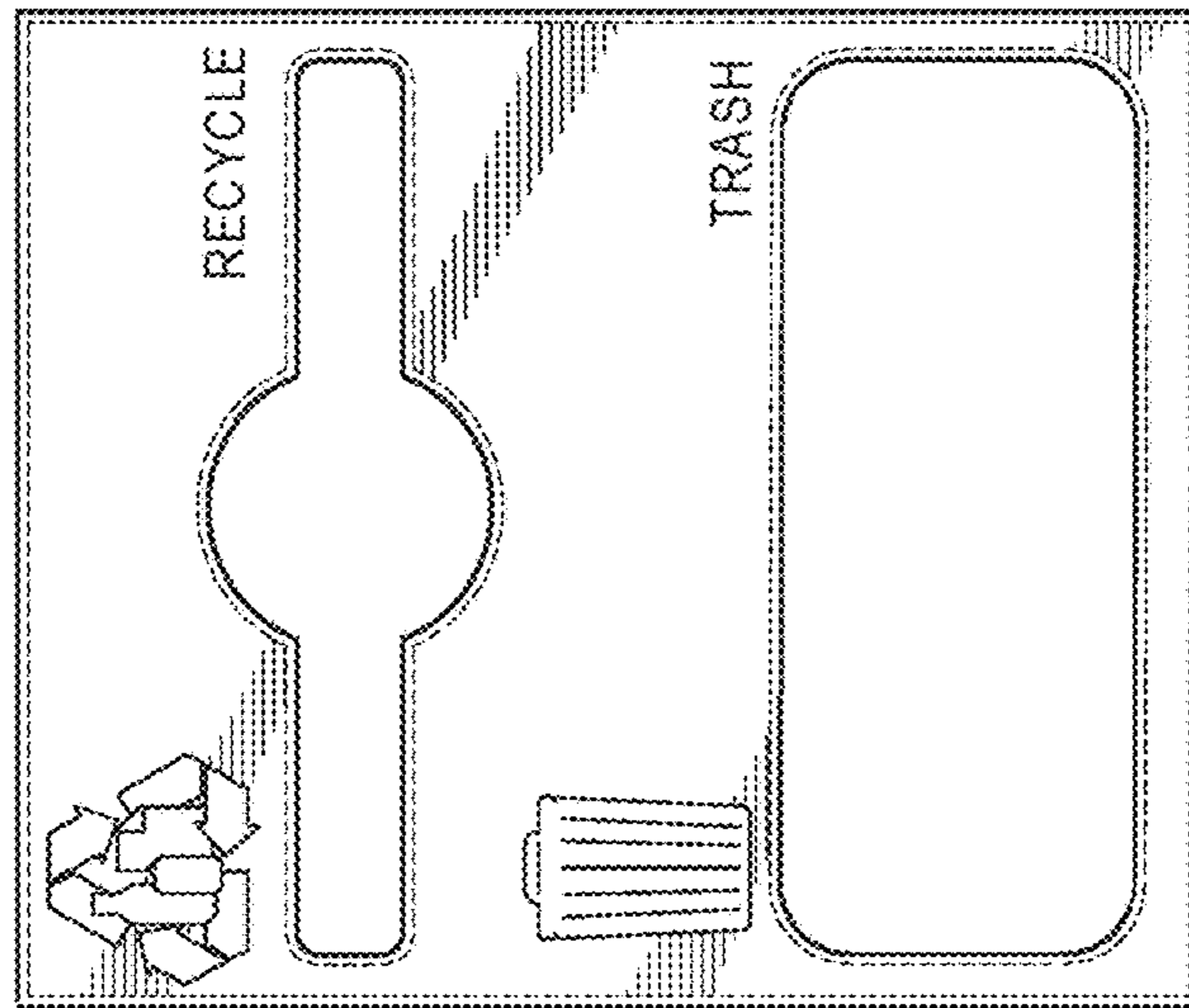


FIG. 5



FIG. 6



FIG. 7

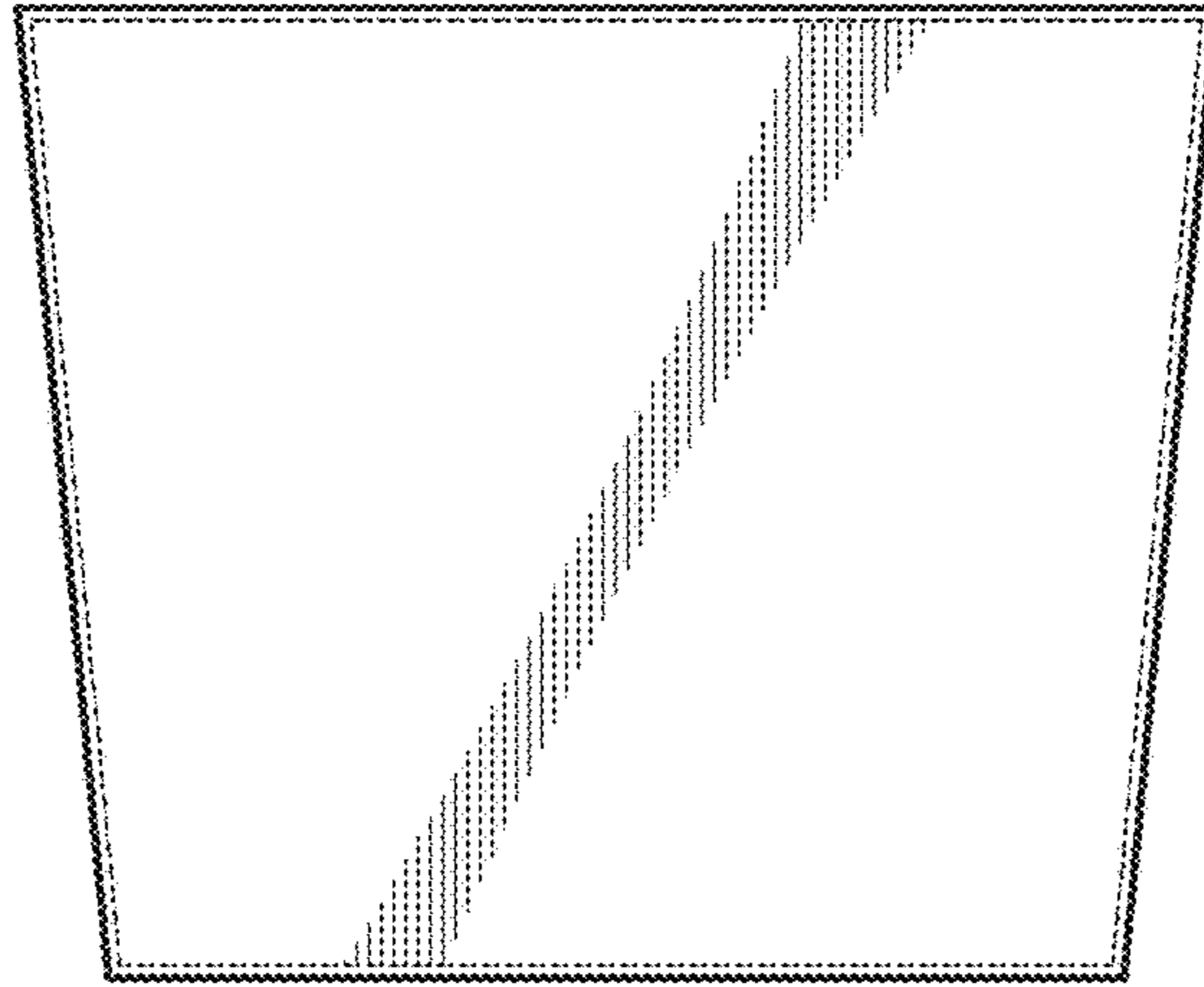


FIG. 8

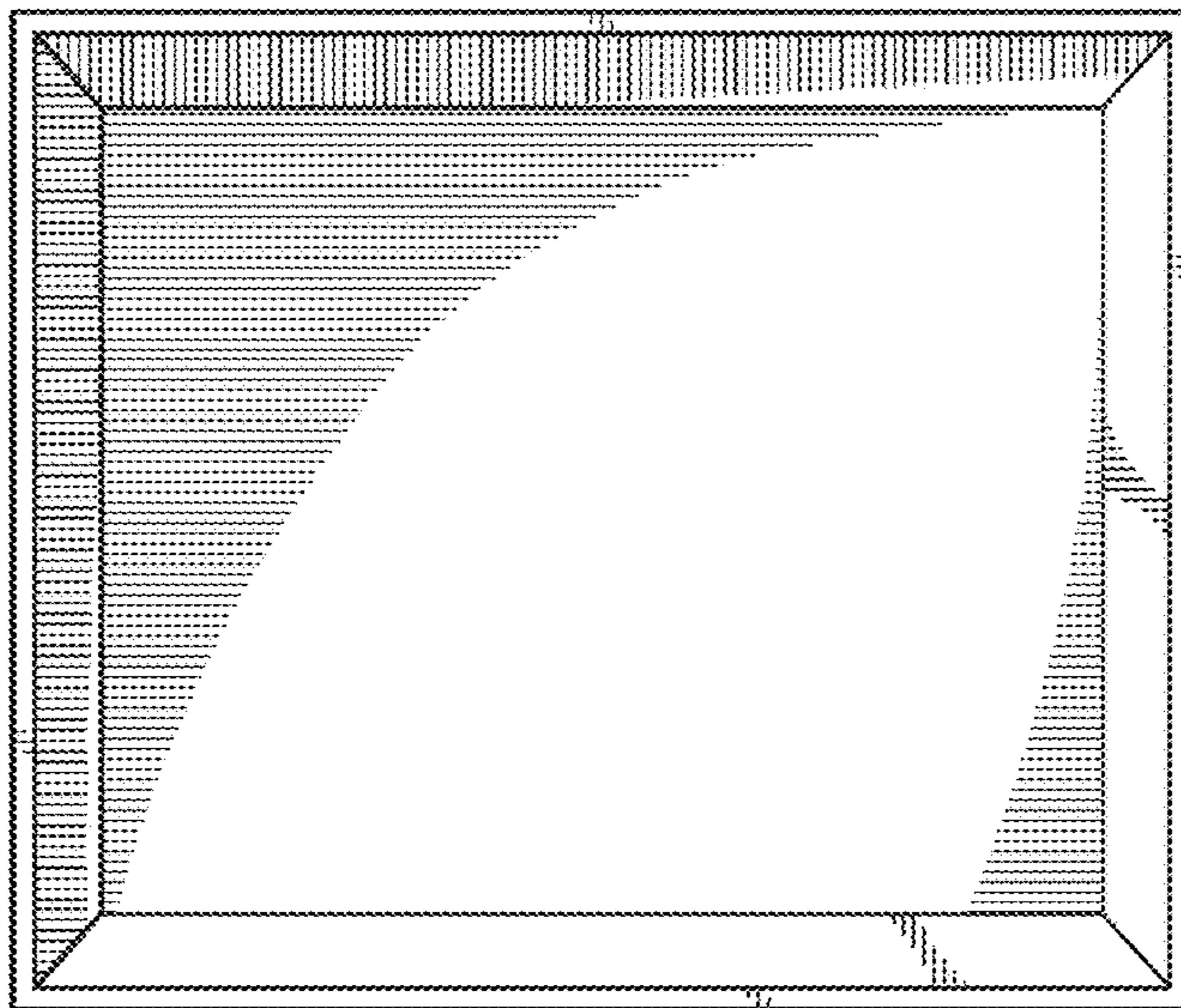


FIG. 9

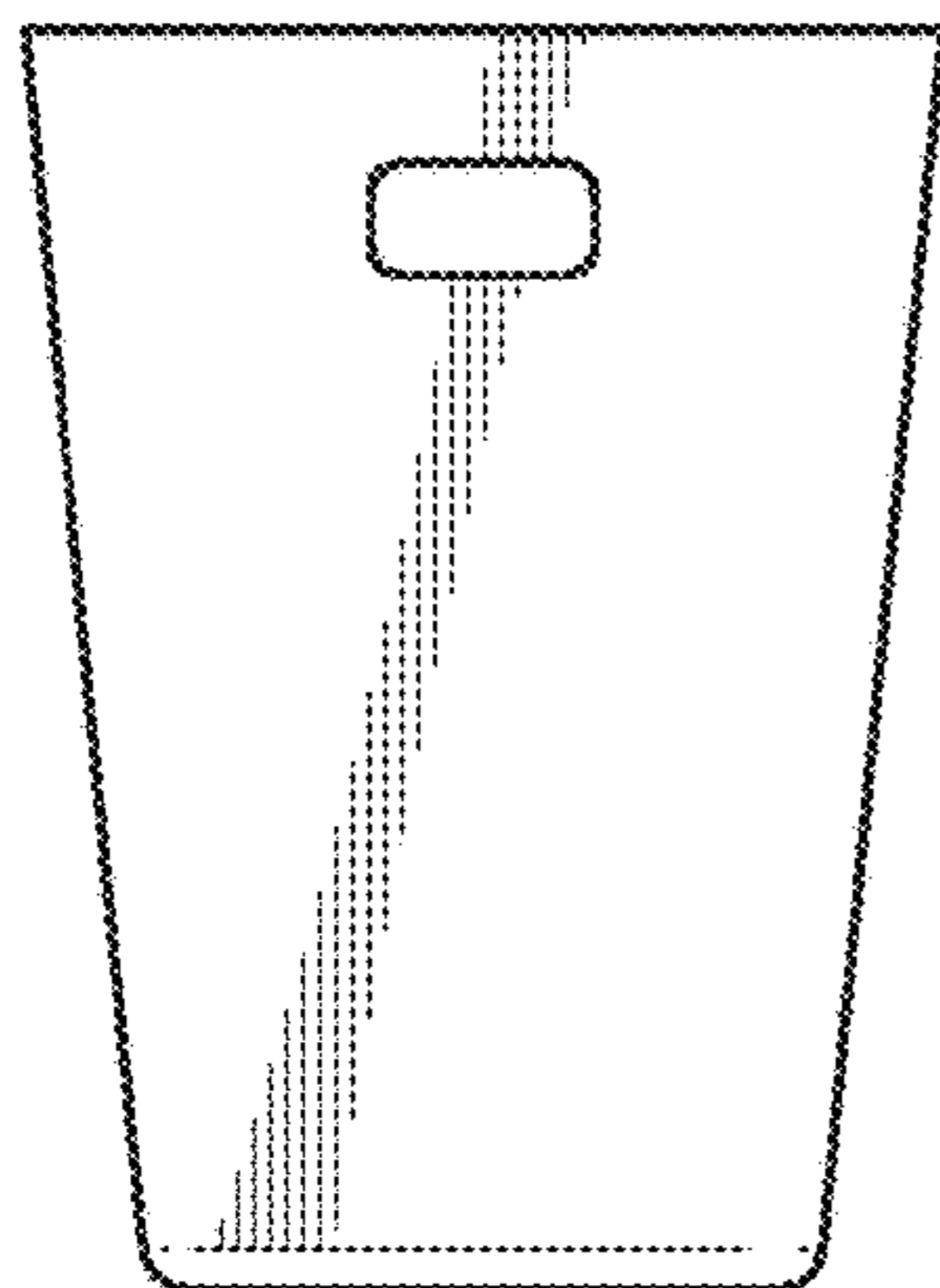


FIG. 10

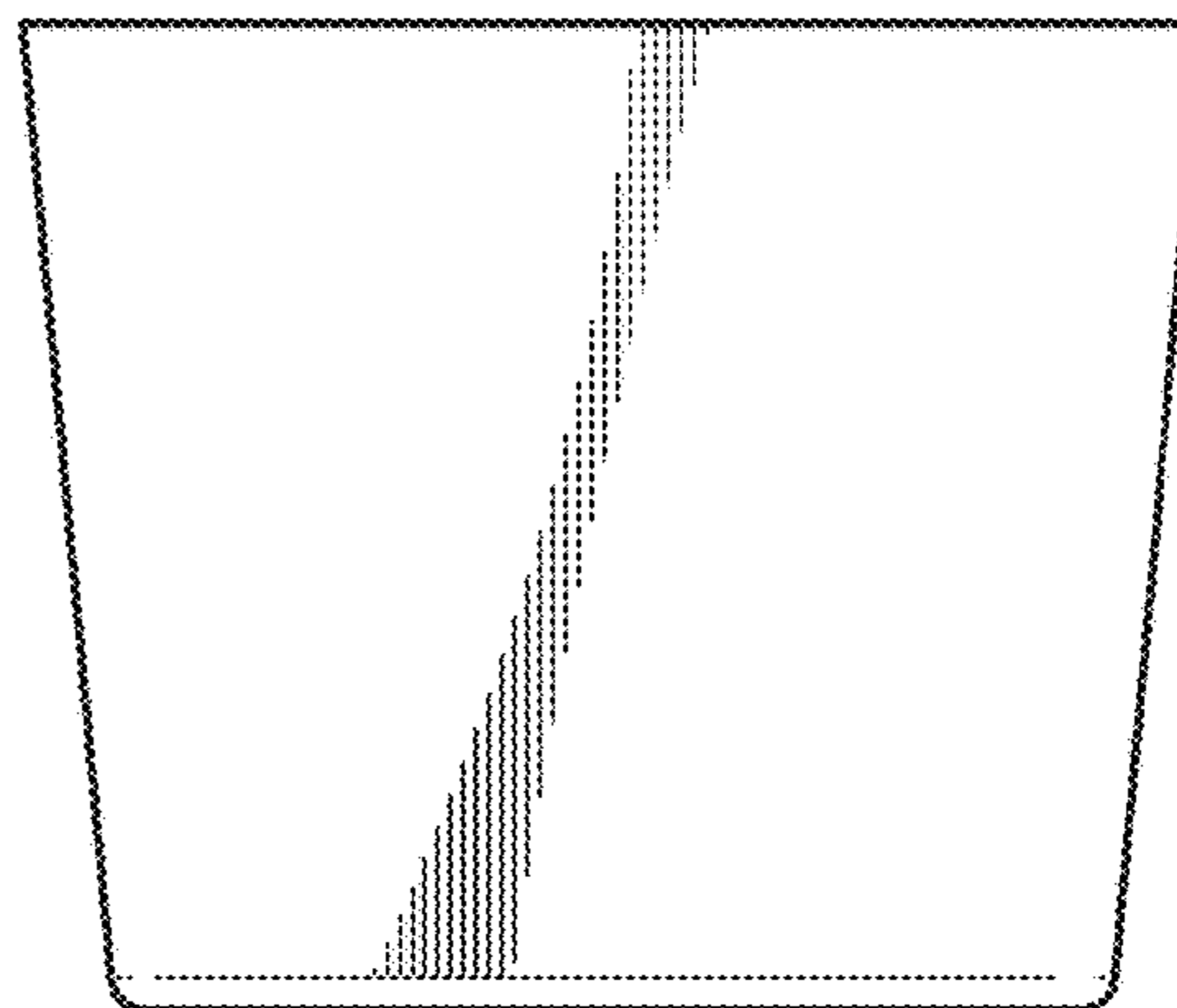


FIG. 11

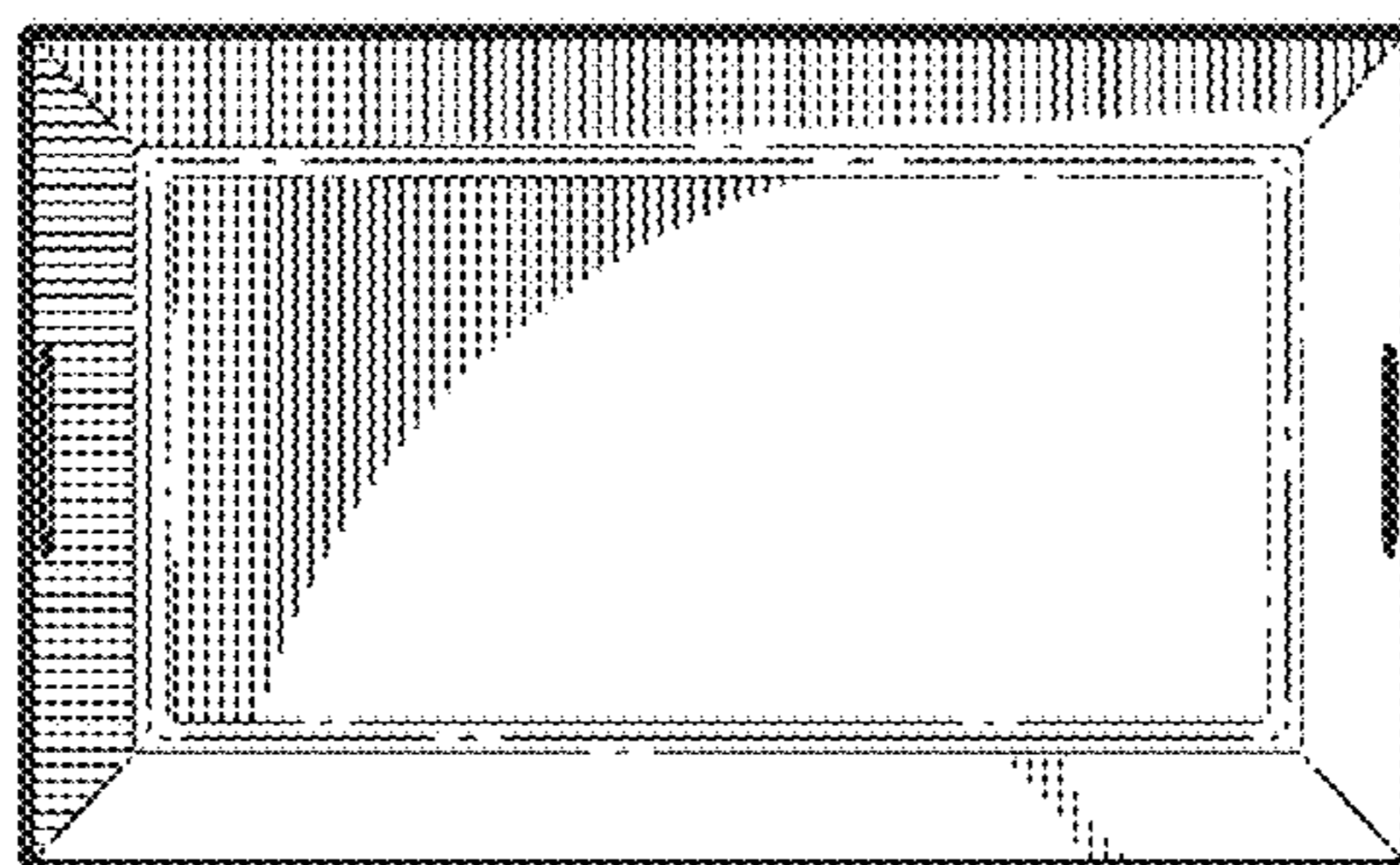


FIG. 12