



US00D857323S

(12) **United States Design Patent**
Sonnichsen et al.

(10) **Patent No.:** **US D857,323 S**

(45) **Date of Patent:** **** Aug. 20, 2019**

(54) **BAR MAT**

(71) Applicant: **GrowlerWerks, Inc.**, Portland, OR (US)

(72) Inventors: **Brian E. Sonnichsen**, Portland, OR (US); **Shawn L. Huff**, Portland, OR (US); **Evan C. Rege**, Portland, OR (US); **Kobi Daum**, Portland, OR (US)

(73) Assignee: **GrowlerWerks, Inc.**, Portland, OR (US)

(**) Term: **15 Years**

(21) Appl. No.: **29/619,685**

(22) Filed: **Sep. 29, 2017**

(51) **LOC (12) Cl.** **07-05**

(52) **U.S. Cl.**
USPC **D32/57**

(58) **Field of Classification Search**
USPC D32/55, 276, 3; D6/510, 525; D30/133;
211/41.5, 41.4, 41.3, 41.8; 361/679.4,
361/679.01, 679.02, 679.04, 679.21,
361/679.57, 725; 312/333, 334.4;
D7/354
CPC B32B 3/10
See application file for complete search history.

(56) **References Cited**

U.S. PATENT DOCUMENTS

D363,577 S *	10/1995	Brightbill	D32/55
D418,646 S *	1/2000	Hampshire	D32/55
D514,765 S *	2/2006	Dretzka	D32/57
D517,753 S *	3/2006	Northrop	D30/161
D517,759 S *	3/2006	Dretzka	D32/57
D523,192 S *	6/2006	Northrop	D30/161
D538,497 S *	3/2007	Plikuhn	D32/57
D554,820 S *	11/2007	Dretzka	D32/57
D581,120 S *	11/2008	Sofy	D32/57
D613,017 S *	3/2010	Snell	D25/151

(Continued)

Primary Examiner — Austin Murphy

(74) *Attorney, Agent, or Firm* — Miller Nash Graham & Dunn LLP

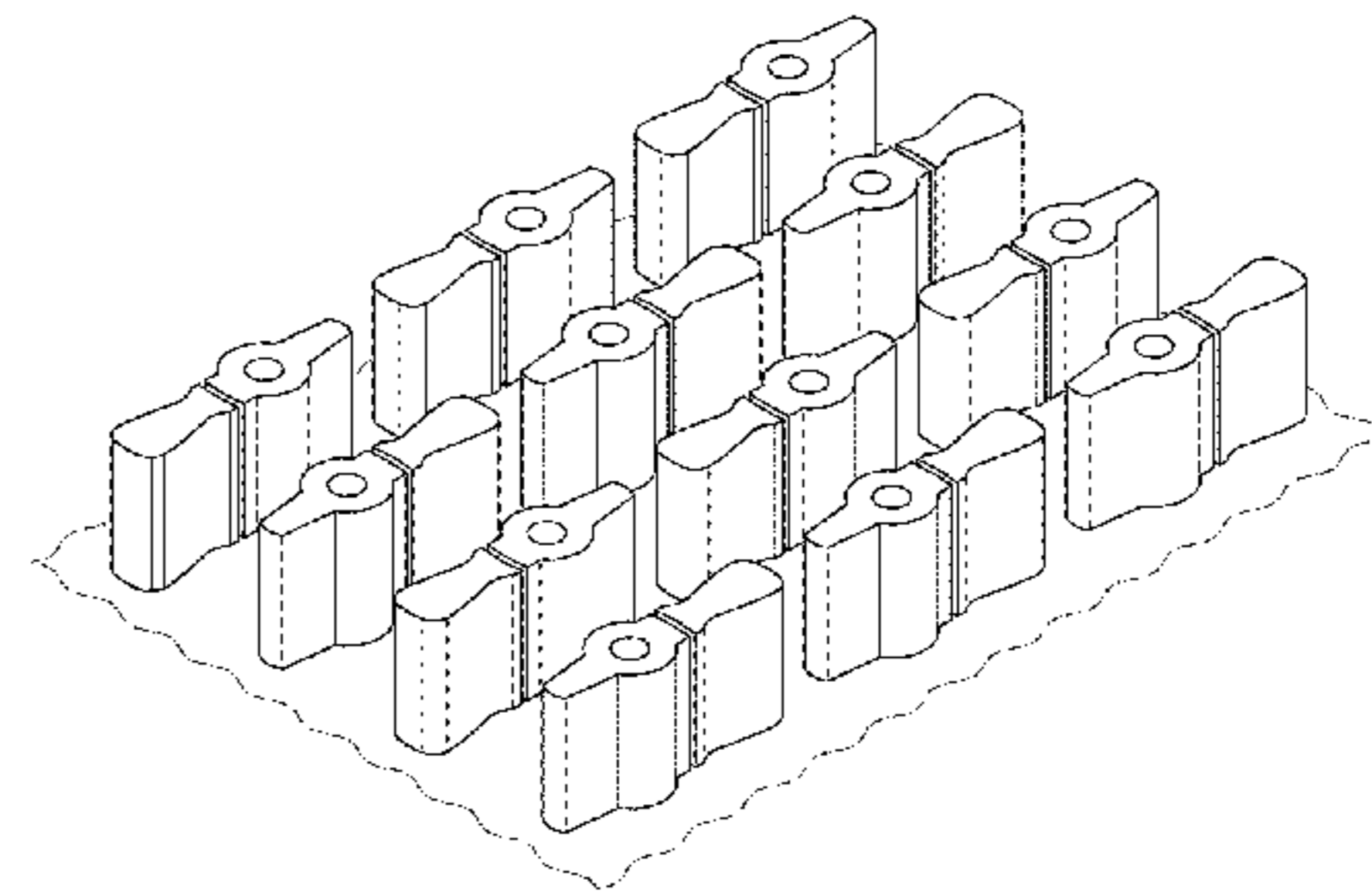
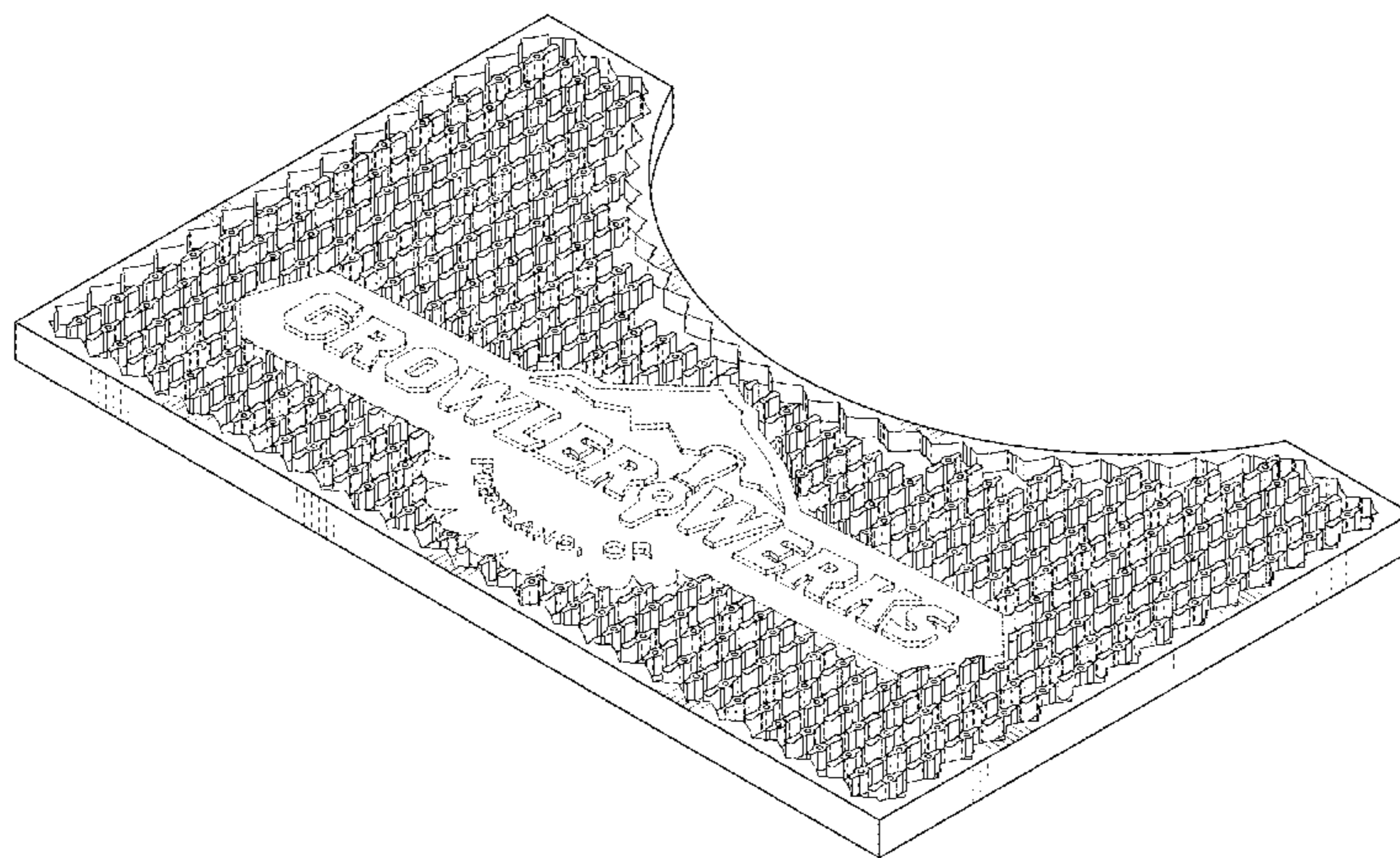
(57) **CLAIM**

We claim the ornamental design for the bar mat, as shown and described.

DESCRIPTION

FIG. 1 is a top perspective view of a bar mat showing our new design;
 FIG. 2 is a top plan view thereof;
 FIG. 3 is a front elevation view thereof;
 FIG. 4 is a rear elevation view thereof;
 FIG. 5 is a first side elevation view thereof;
 FIG. 6 is a second side elevation view thereof;
 FIG. 7 is a top view illustrating detail of elements thereof;
 FIG. 8 is a top perspective view illustrating detail of the elements illustrated in FIG. 7;
 FIG. 9 is a top perspective view of the bar mat of FIG. 1 illustrated in an operating environment;
 FIG. 10 is a top perspective view of a bar mat showing an alternative embodiment of our new design;
 FIG. 11 is a top plan view thereof;
 FIG. 12 is a front elevation view thereof;
 FIG. 13 is a rear elevation view thereof;
 FIG. 14 is a first side elevation view thereof;
 FIG. 15 is a second side elevation view thereof;
 FIG. 16 is a top view illustrating detail of elements thereof;
 FIG. 17 is a top perspective view illustrating detail of the elements illustrated in FIG. 16; and,
 FIG. 18 is a top perspective view of the bar mat of FIG. 10 illustrated in an operating environment.
 The dashed lines showing a logo, logo outline, and environment are provided for the purpose of illustrating environmental structure and forms no part of the claimed design.

1 Claim, 10 Drawing Sheets



(56)

References Cited

U.S. PATENT DOCUMENTS

D615,266 S *	5/2010	Lion	D32/57
D621,114 S *	8/2010	Lion	D32/57
D625,482 S *	10/2010	Yang	D32/57
D685,560 S *	7/2013	Lee	D32/57
D703,409 S *	4/2014	Robbins, III	D32/57
D707,004 S *	6/2014	Levy	D32/57
D707,005 S *	6/2014	Levy	D32/57
D742,087 S *	10/2015	Erickson	D32/57
D746,010 S *	12/2015	Xavier	D32/57
D787,403 S *	5/2017	Simonsen	D12/203
D840,174 S *	2/2019	Kraemer	D6/585

* cited by examiner

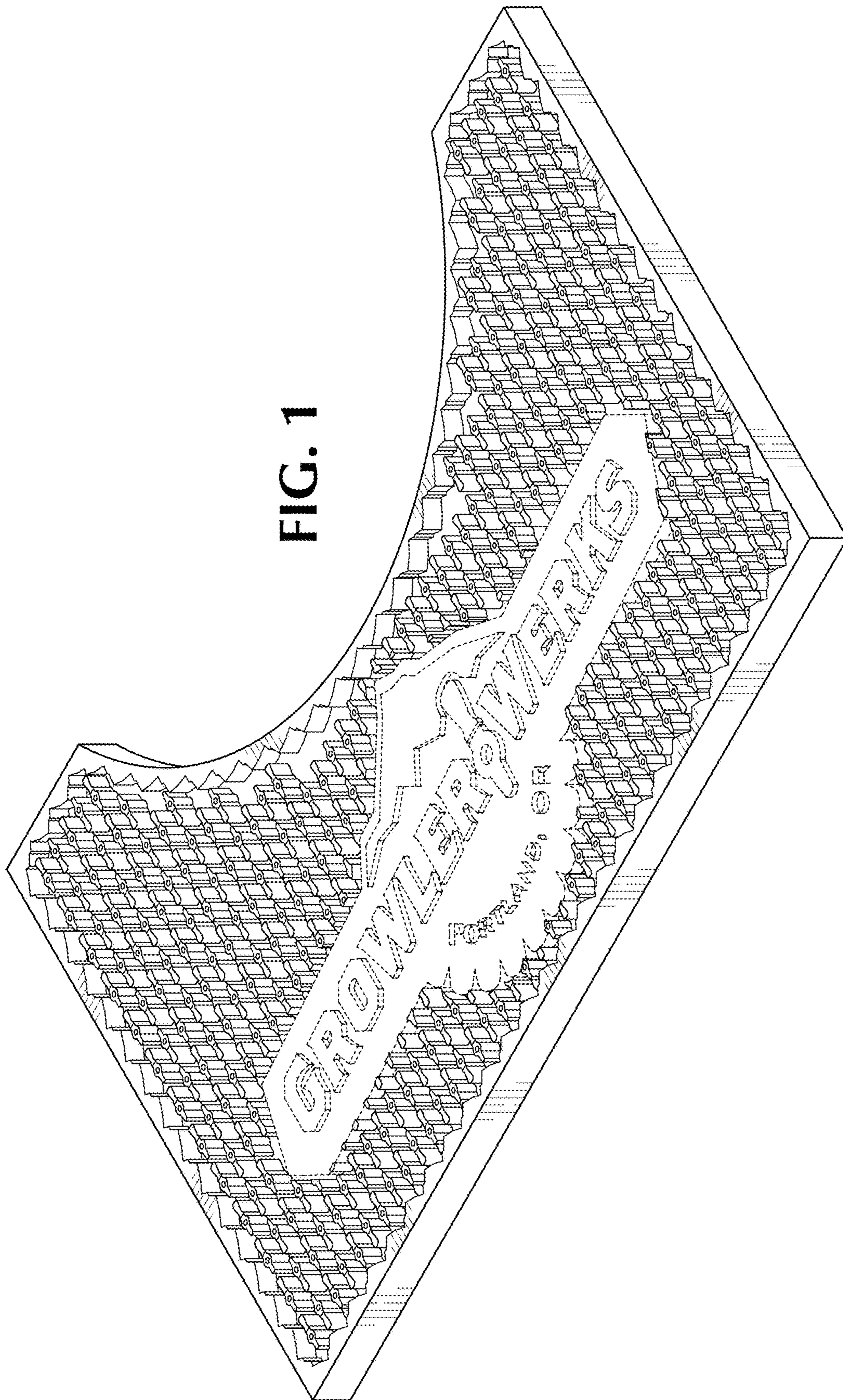


FIG. 1

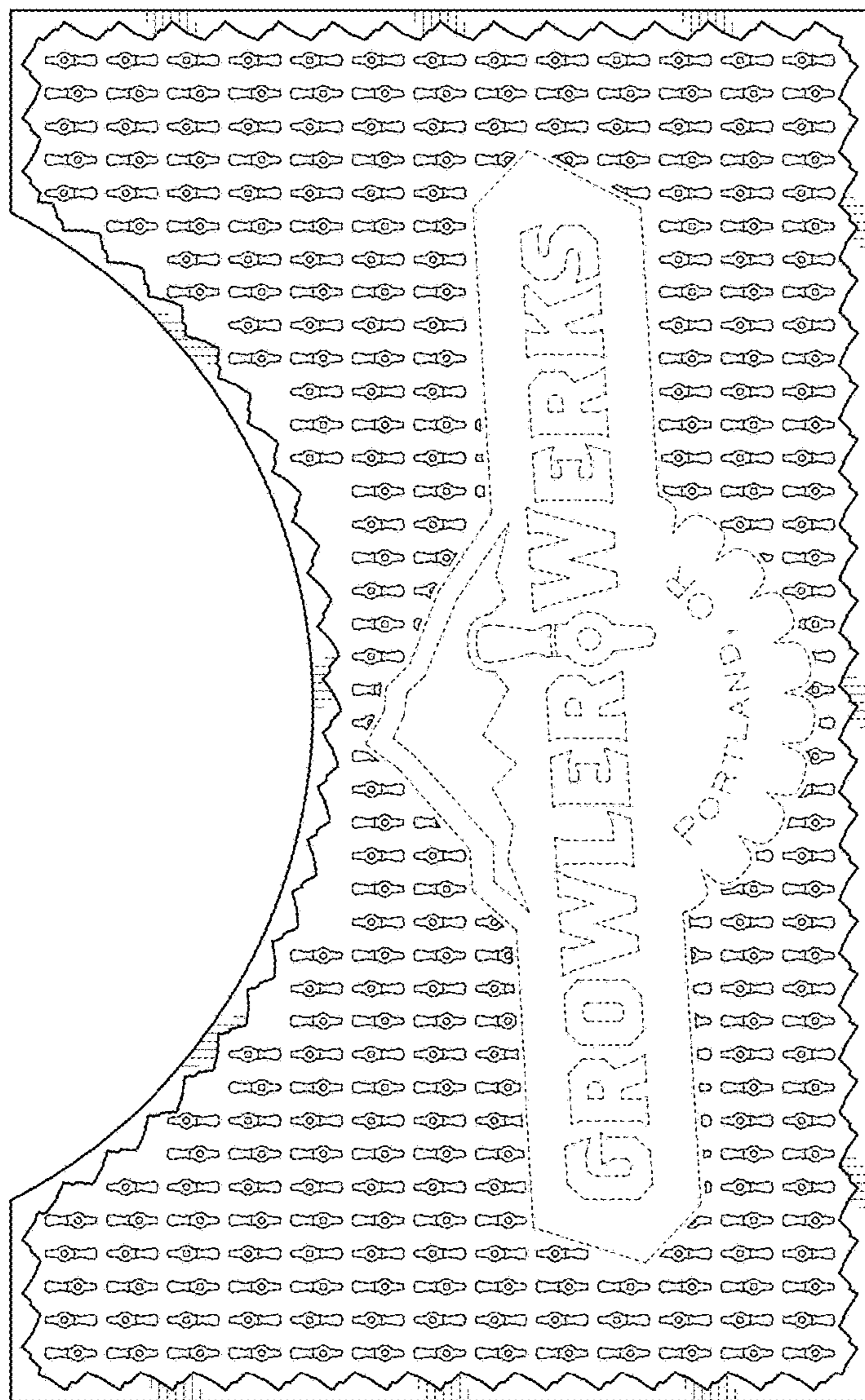


FIG. 2

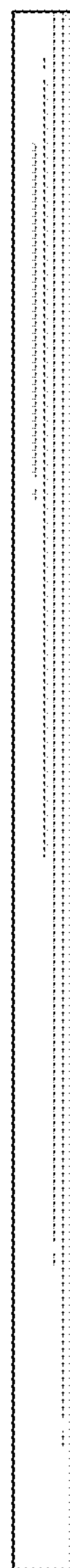


FIG. 3



FIG. 4

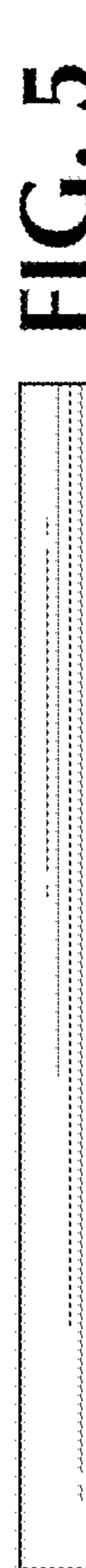


FIG. 5

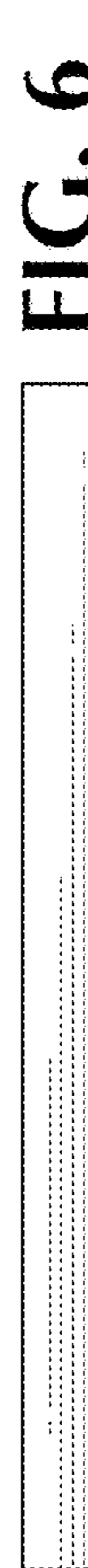


FIG. 6

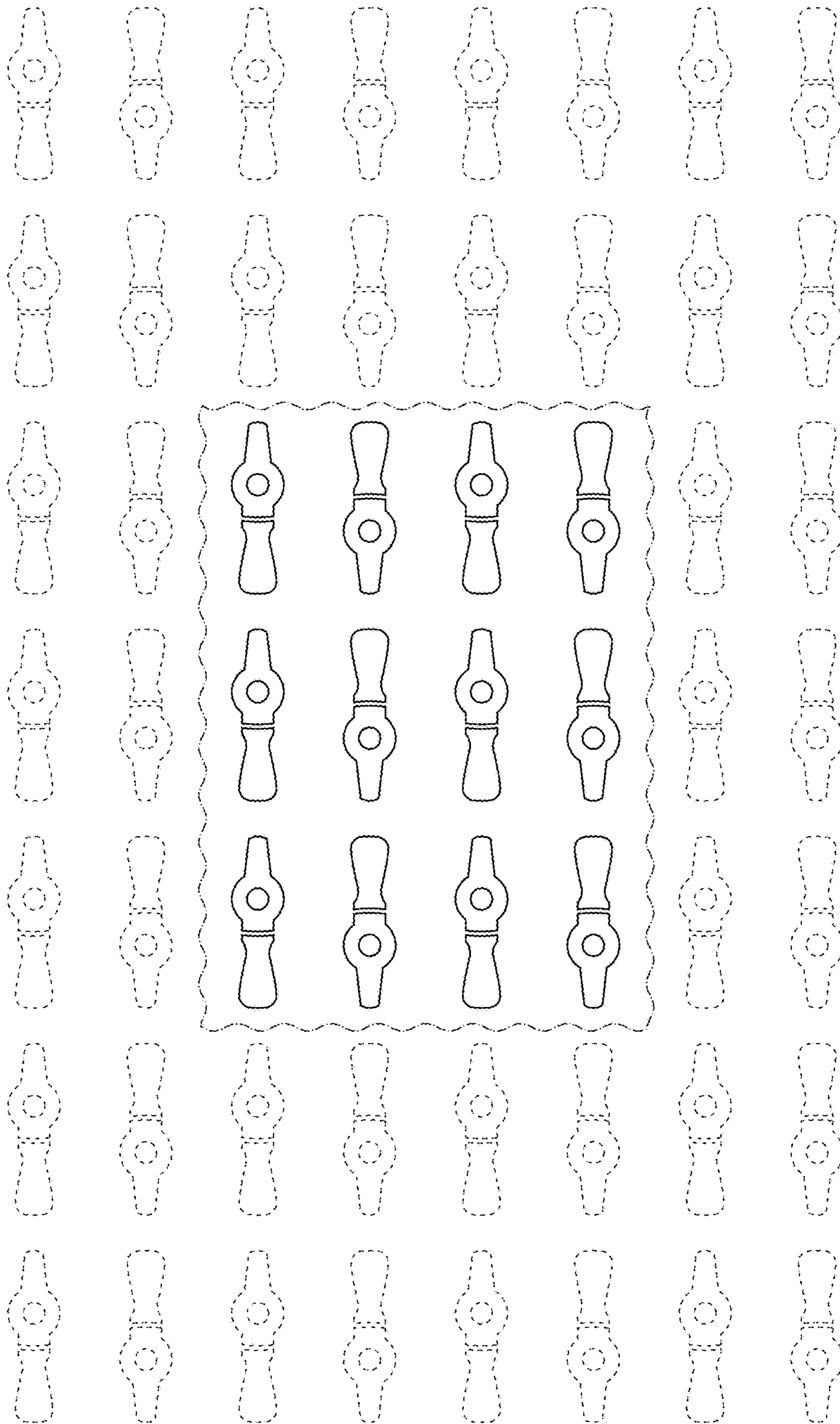


FIG. 7

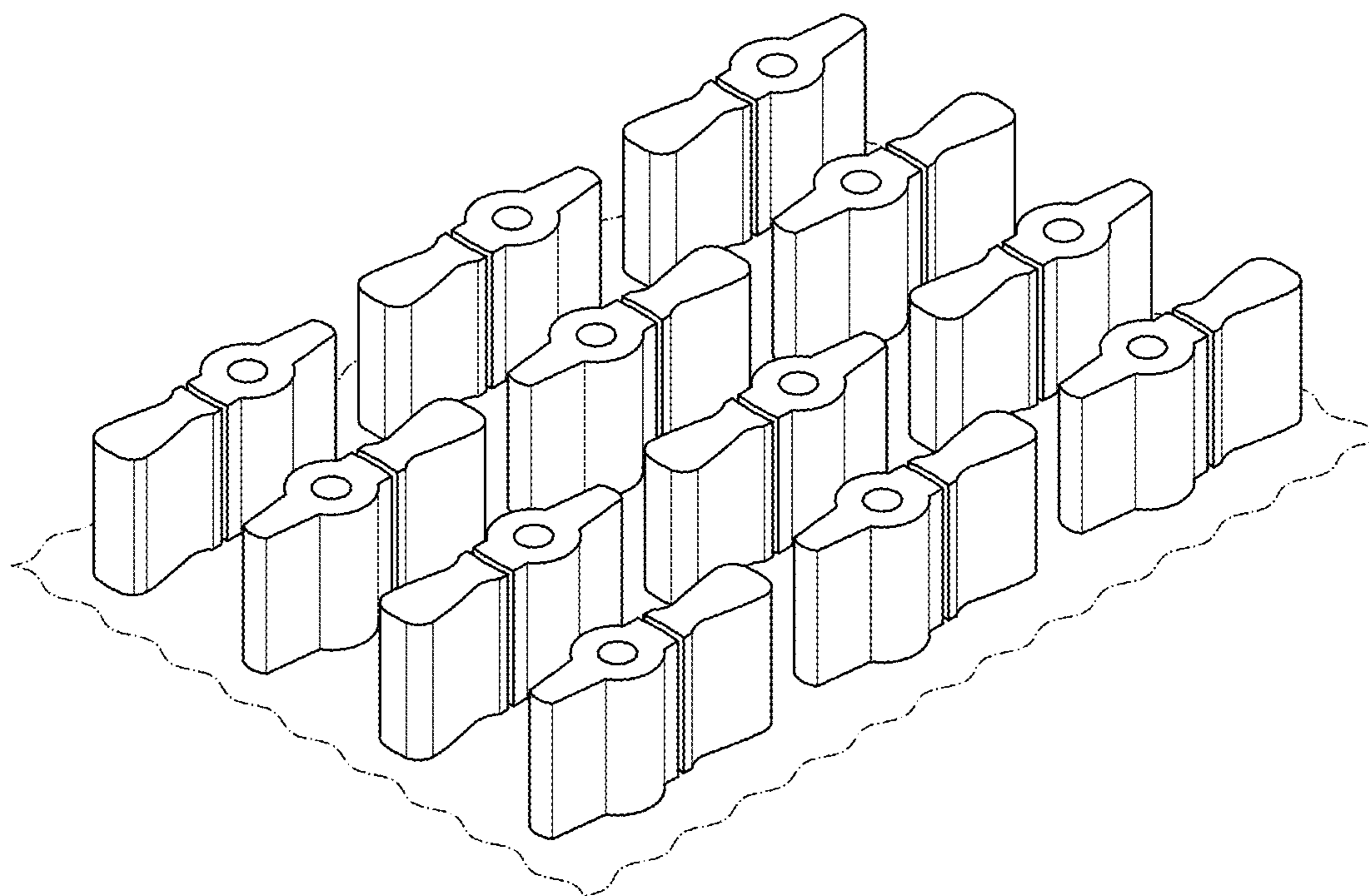


FIG. 8

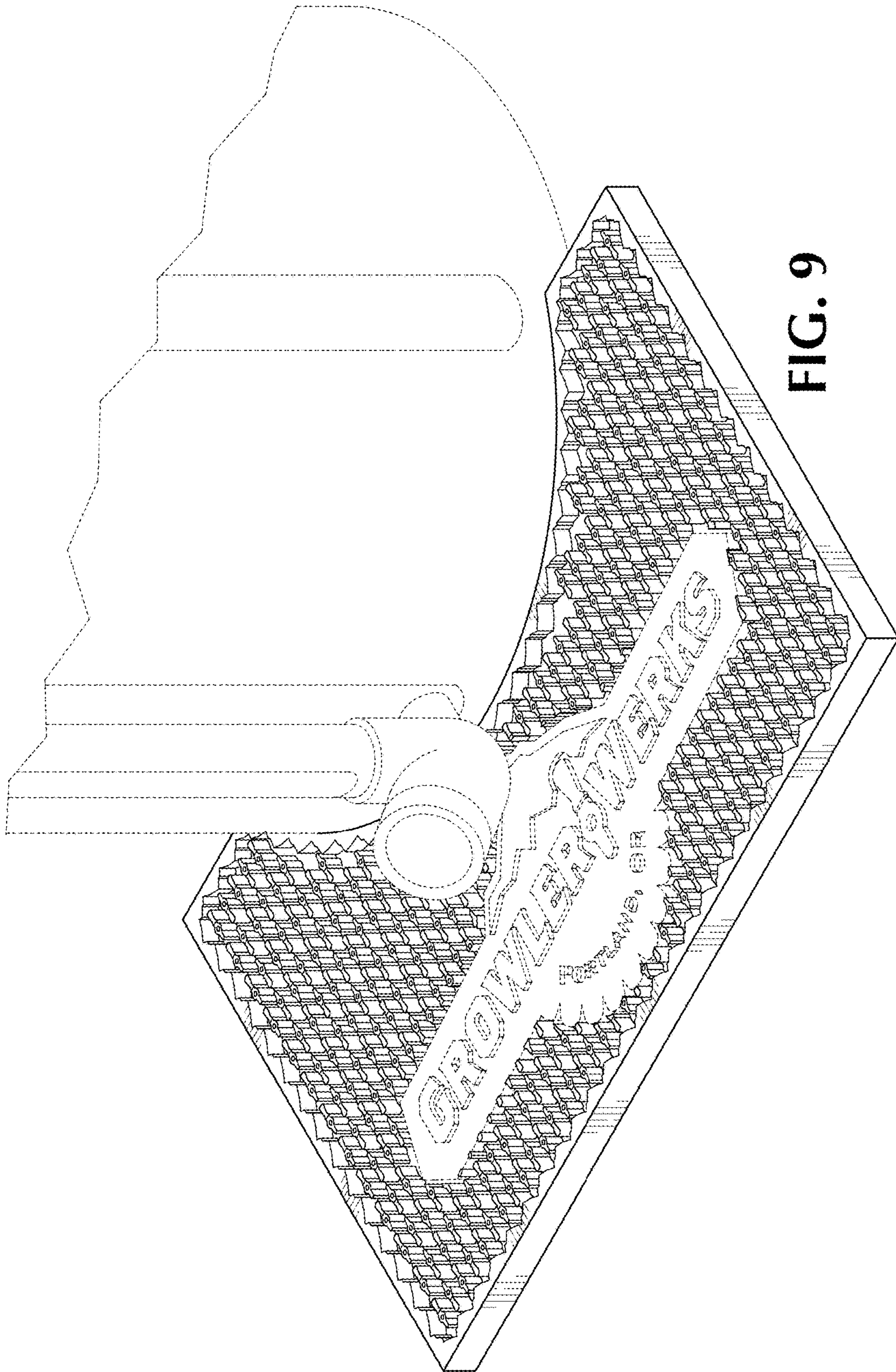


FIG. 9

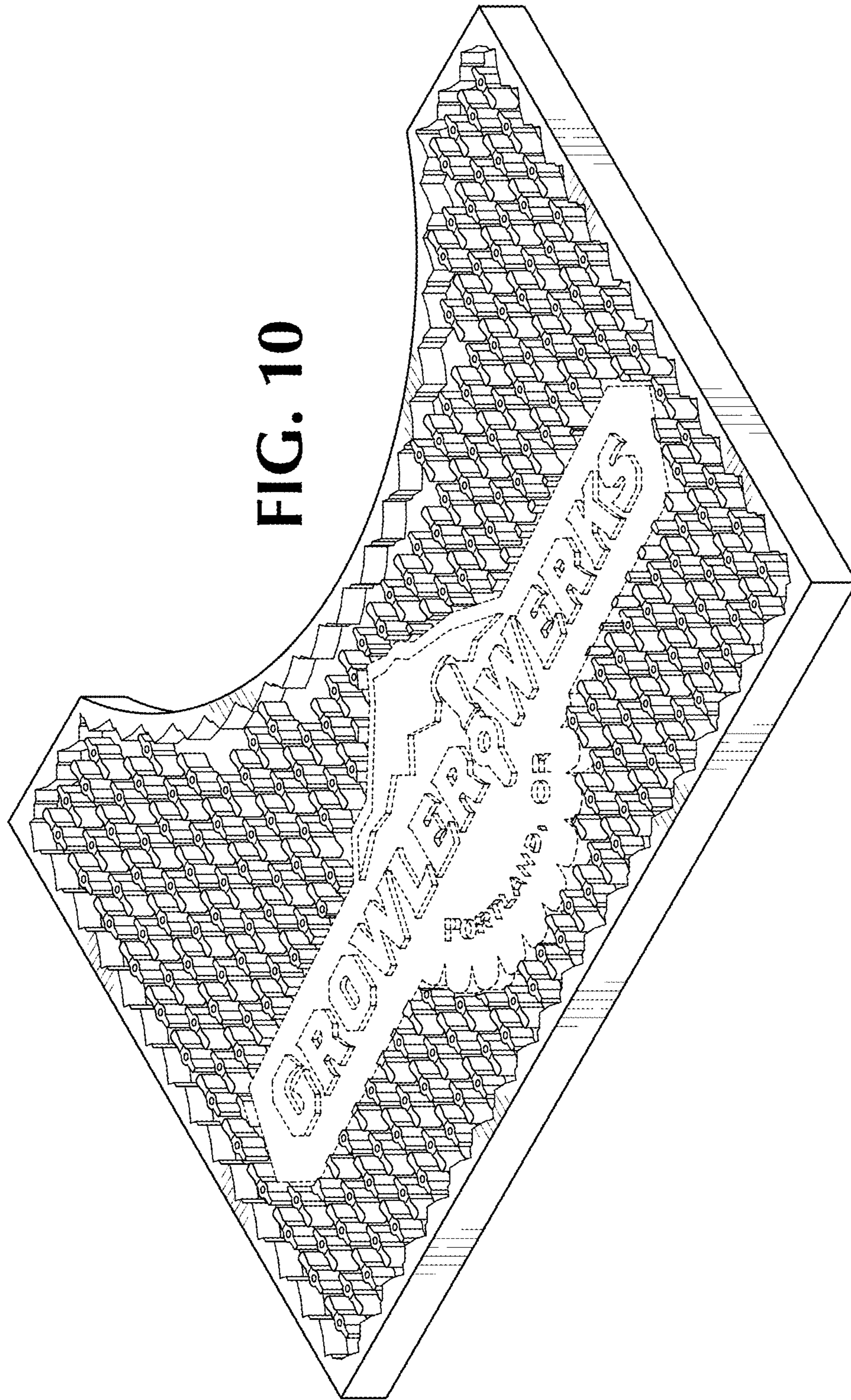


FIG. 10

FIG. 11

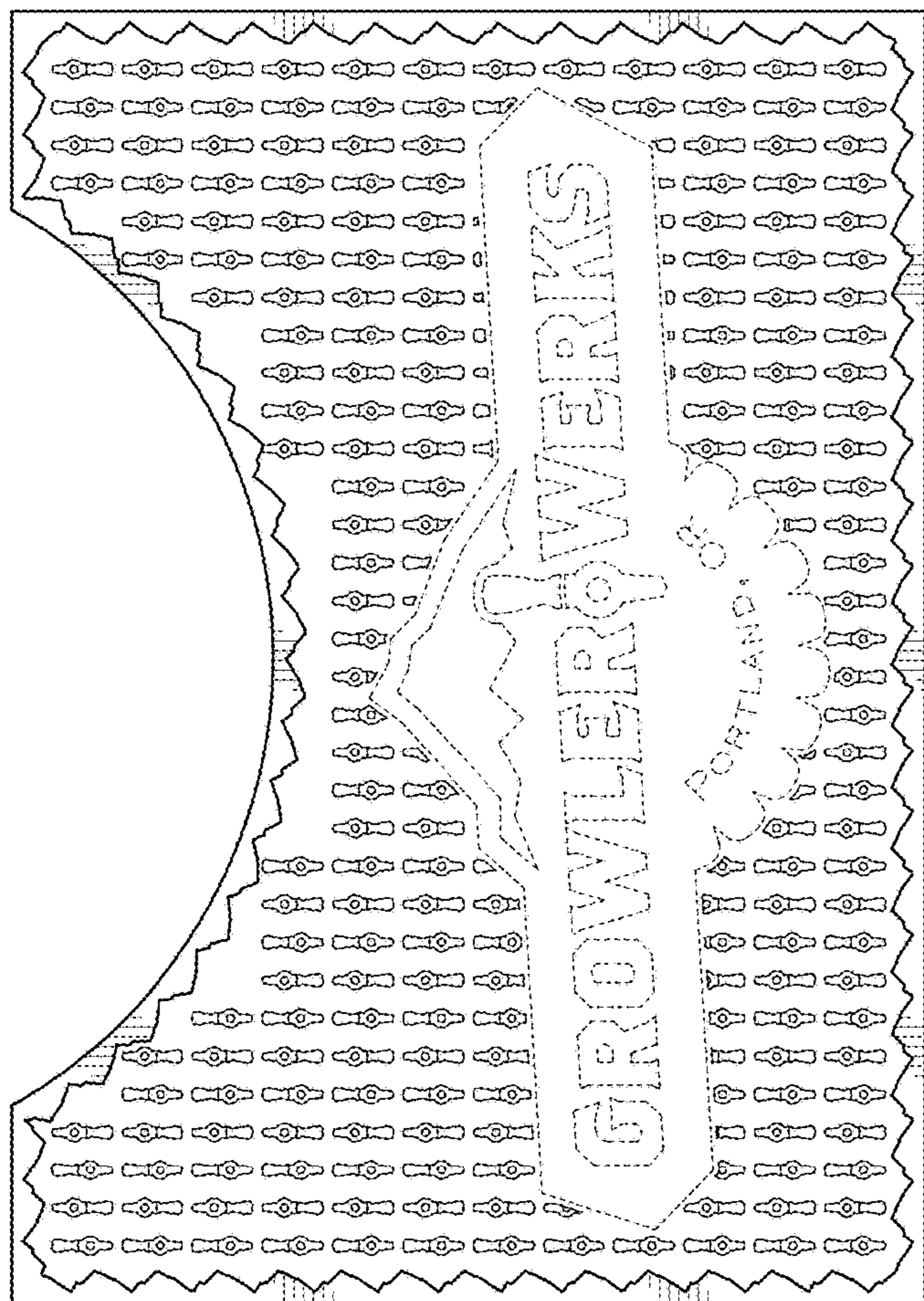


FIG. 12

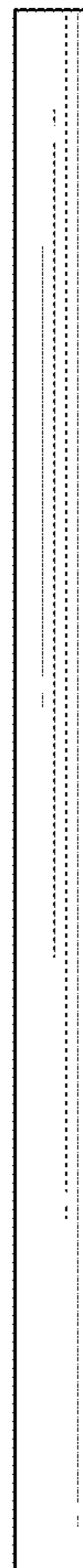


FIG. 13



FIG. 14

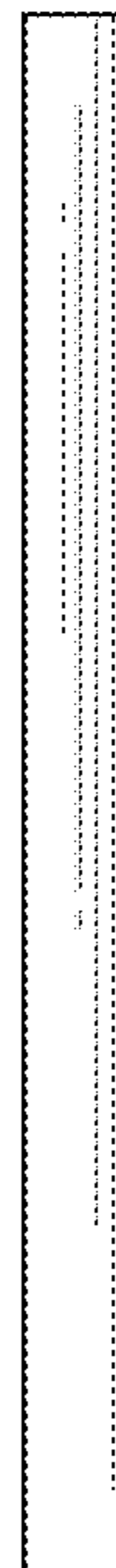
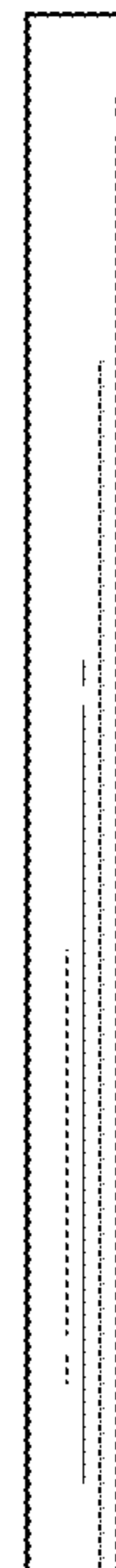


FIG. 15



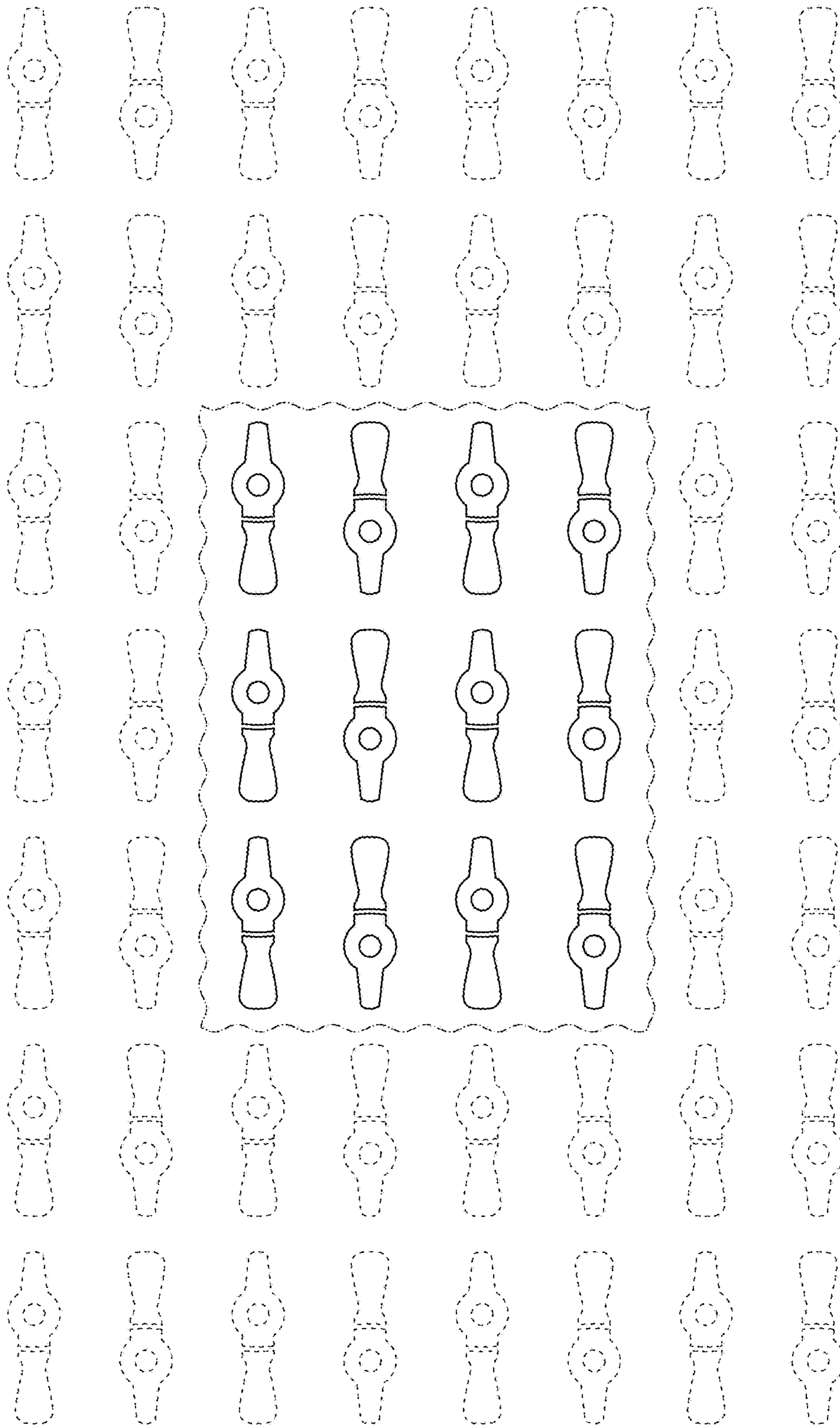


FIG. 16

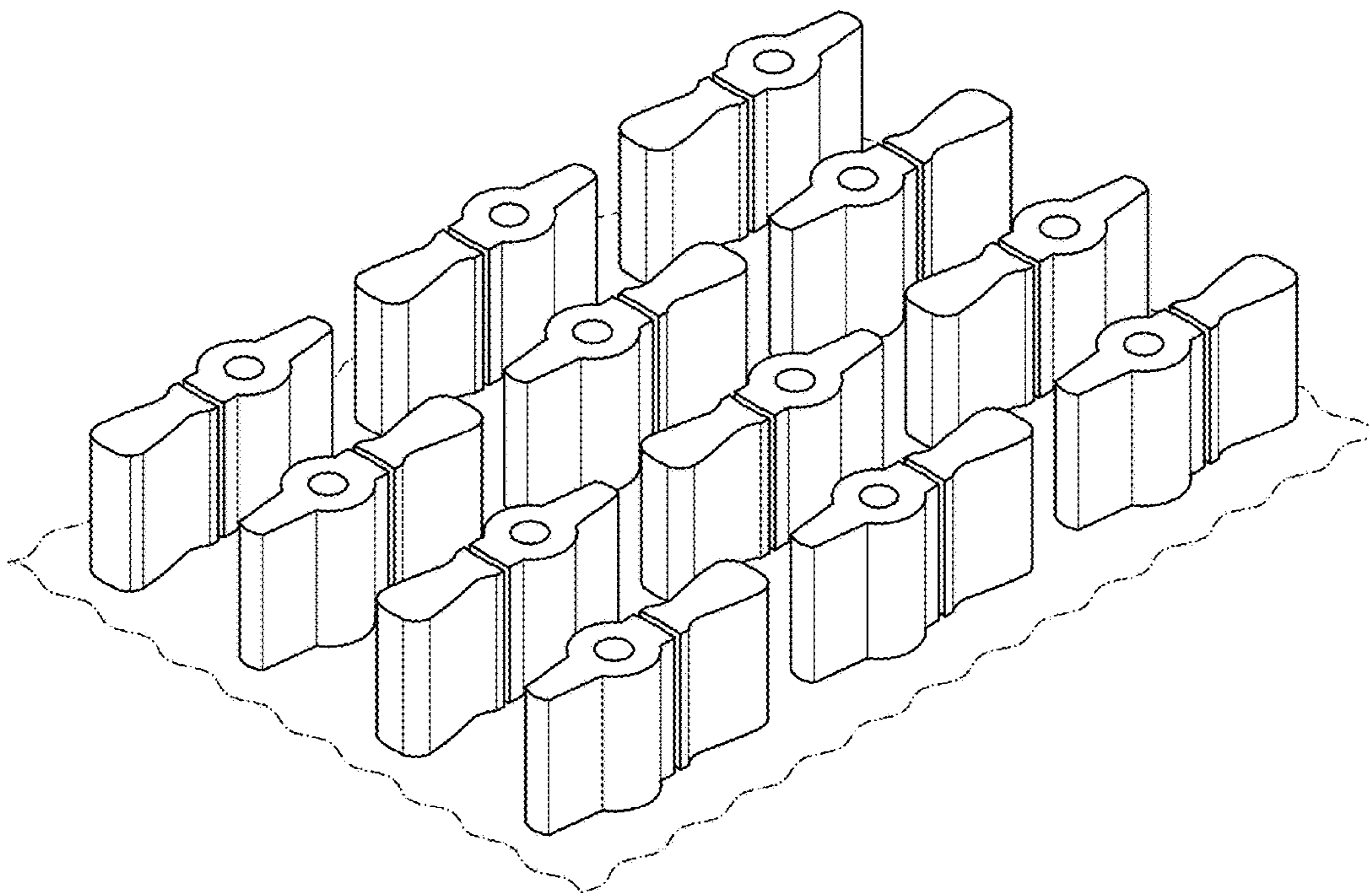


FIG. 17

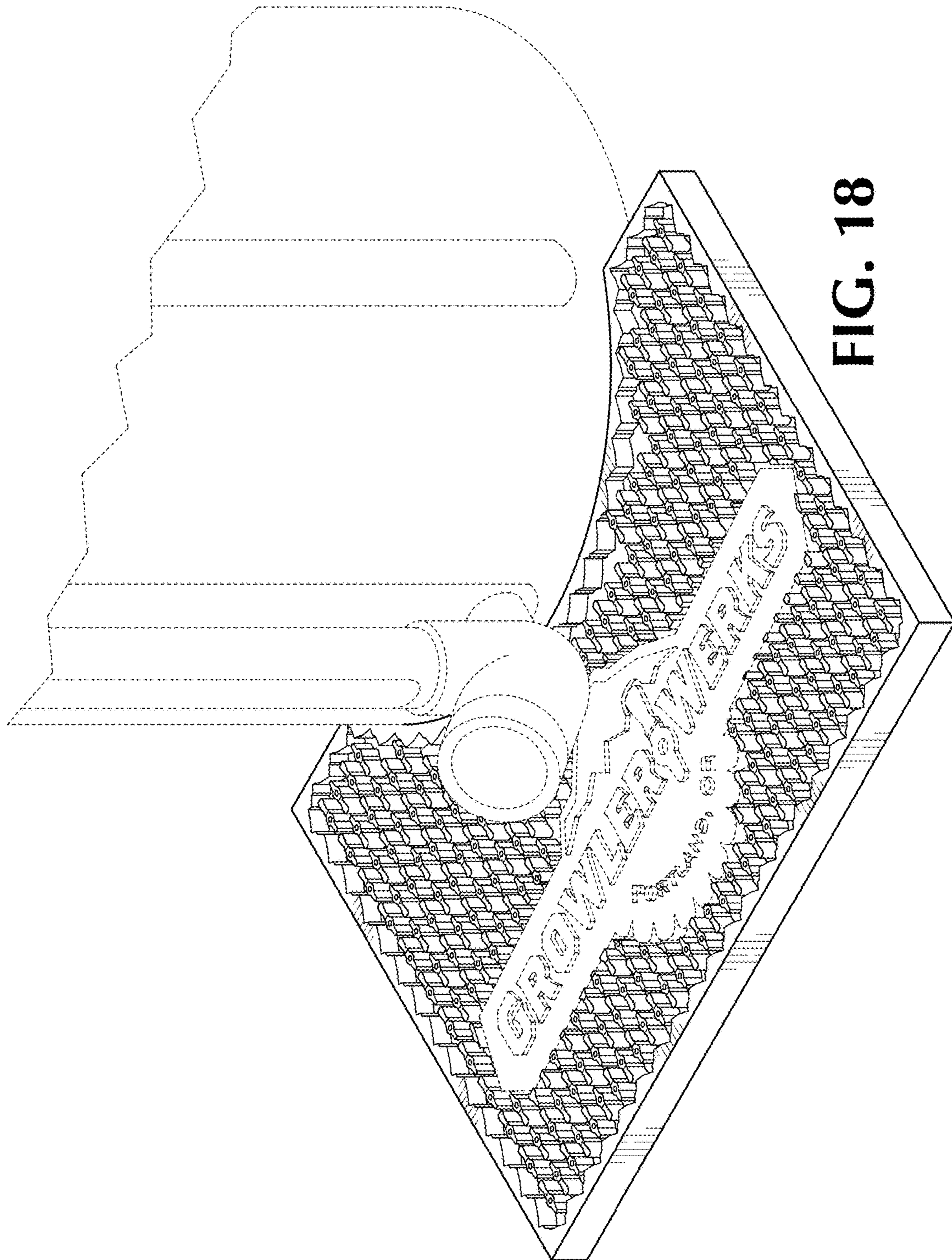


FIG. 18