



US00D857321S

(12) **United States Design Patent** (10) **Patent No.:** **US D857,321 S**
Saco (45) **Date of Patent:** **** Aug. 20, 2019**

(54) **LAUNDRY HAMPER WITH MULTIPLE COMPARTMENTS**

(71) Applicant: **Frank Saco**, Walled Lake, MI (US)

(72) Inventor: **Frank Saco**, Walled Lake, MI (US)

(**) Term: **15 Years**

(21) Appl. No.: **29/637,964**

(22) Filed: **Feb. 23, 2018**

(51) **LOC (12) Cl.** **07-07**

(52) **U.S. Cl.**
 USPC **D32/37**

(58) **Field of Classification Search**
 USPC D32/35, 37, 53; D3/201, 304, 305, 306,
 D3/307, 308, 309, 312, 314; D9/420,
 D9/423, 501, 721, 742; D34/5, 6, 11
 CPC . D06F 95/004; D06F 95/002; B65B 67/1244;
 B65B 67/1205; A47B 61/00; B62B 3/106;
 B62B 3/02; A47G 25/0685
 See application file for complete search history.

D341,687 S * 11/1993 Park D34/5
 5,667,066 A * 9/1997 Simpson B65B 67/1244
 206/278

D392,431 S 3/1998 Schallern
 5,833,336 A 11/1998 Dean
 D404,861 S * 1/1999 Balensiefer, II D32/37
 6,014,827 A * 1/2000 Lehrman D06F 57/12
 38/104

6,019,445 A * 2/2000 Gades D06F 95/002
 312/245

D433,548 S 11/2000 Baines et al.
 D441,928 S 5/2001 Adams
 D462,149 S 8/2002 Hall
 D517,264 S 3/2006 Wheeler
 D545,515 S * 6/2007 Clucas D32/37
 D608,964 S 1/2010 Walton
 8,727,172 B2 5/2014 Burgess et al.
 8,910,813 B1 * 12/2014 Barre D06F 95/002
 220/23.83

D732,779 S * 6/2015 Bittle D32/37
 D733,984 S * 7/2015 Tsai D32/37
 D739,988 S 9/2015 Buckner

(Continued)

Primary Examiner — Michelle E. Wilson
 (74) *Attorney, Agent, or Firm* — Dinsmore & Shohl LLP

(57) **CLAIM**
 The ornamental design for a laundry hamper with multiple compartments, as shown and described.

DESCRIPTION

FIG. 1 is a perspective view of the present design;
 FIG. 2 is a top view of the present design;
 FIG. 3 is a front view of the present design;
 FIG. 4 is a right side view of the present design;
 FIG. 5 is a left side view of the present design;
 FIG. 6 is a rear view of the present design;
 FIG. 7 is a bottom view of the present design; and,
 FIG. 8 is a further perspective view similar to FIG. 1 with the hinged lid in an open position.

1 Claim, 5 Drawing Sheets

(56) **References Cited**
 U.S. PATENT DOCUMENTS

2,014,904 A * 9/1935 Martin A45C 7/02
 220/9.3

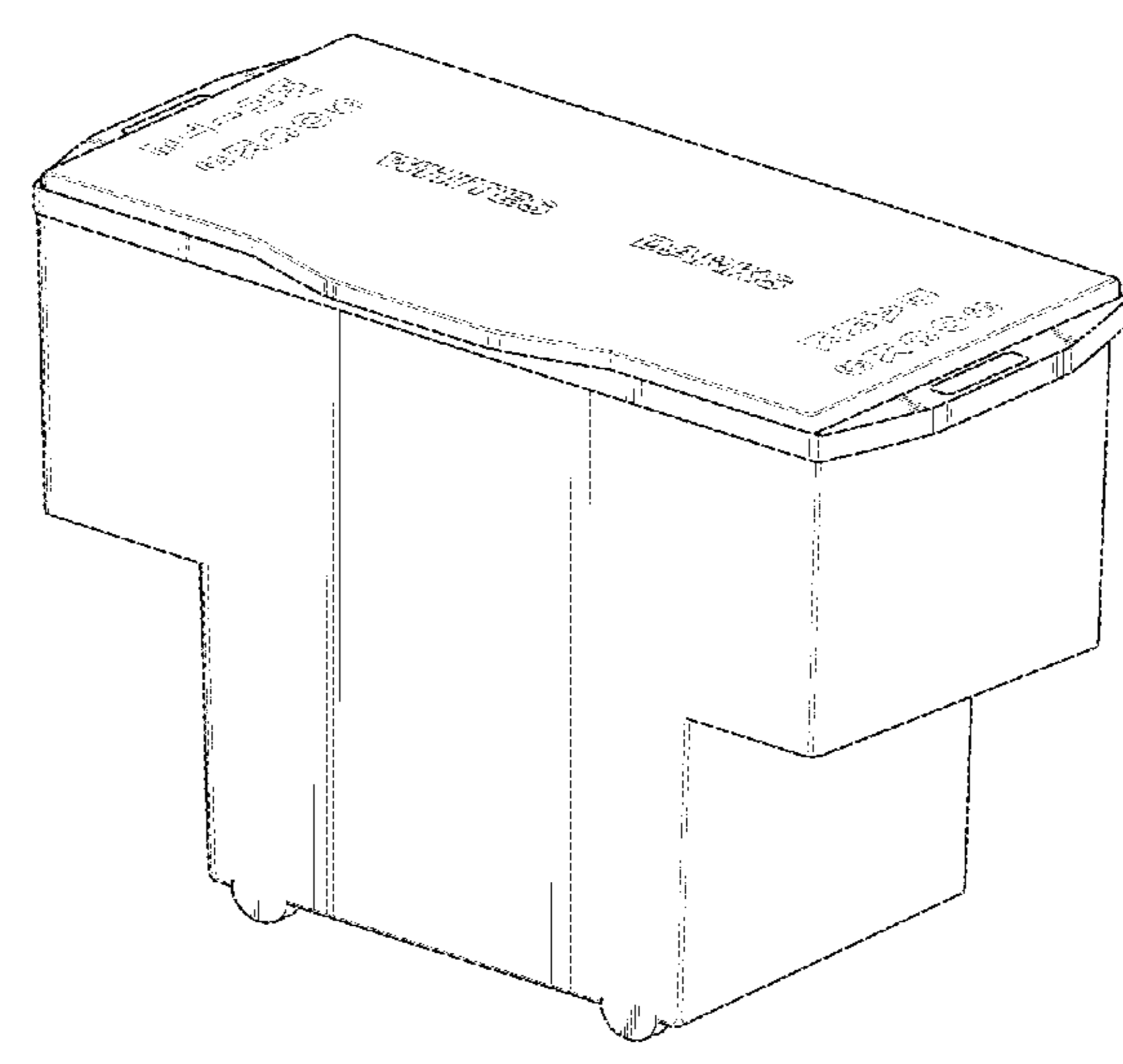
D142,649 S 10/1945 Kohen
 2,638,399 A * 5/1953 Seymour D06F 95/004
 220/9.3

3,286,752 A * 11/1966 Duryee, Jr. A47G 29/06
 220/9.3

D279,038 S * 5/1985 Thompson, Jr. D32/37
 4,646,802 A * 3/1987 Basore B65B 67/1244
 220/495.11

4,953,815 A * 9/1990 Beymer B65B 67/12
 248/97

D316,466 S 4/1991 Veasey
 5,118,173 A 6/1992 Proctor et al.



(56)

References Cited

U.S. PATENT DOCUMENTS

D760,980	S	*	7/2016	Tsai	D32/37
D762,336	S	*	7/2016	Chang	D32/37
D787,767	S		5/2017	Wall		
9,689,110	B2		6/2017	Massey, Jr.		
9,725,227	B2		8/2017	Chow		
9,745,116	B1		8/2017	Lopez		
9,828,721	B2		11/2017	Silverman et al.		
D827,964	S	*	9/2018	Barre	D06F 95/004 D32/58
D827,965	S	*	9/2018	Barre	D32/58
2008/0105686	A1		5/2008	Cox		
2017/0152098	A1		6/2017	Chow		
2017/0254016	A1		9/2017	Barre et al.		

* cited by examiner

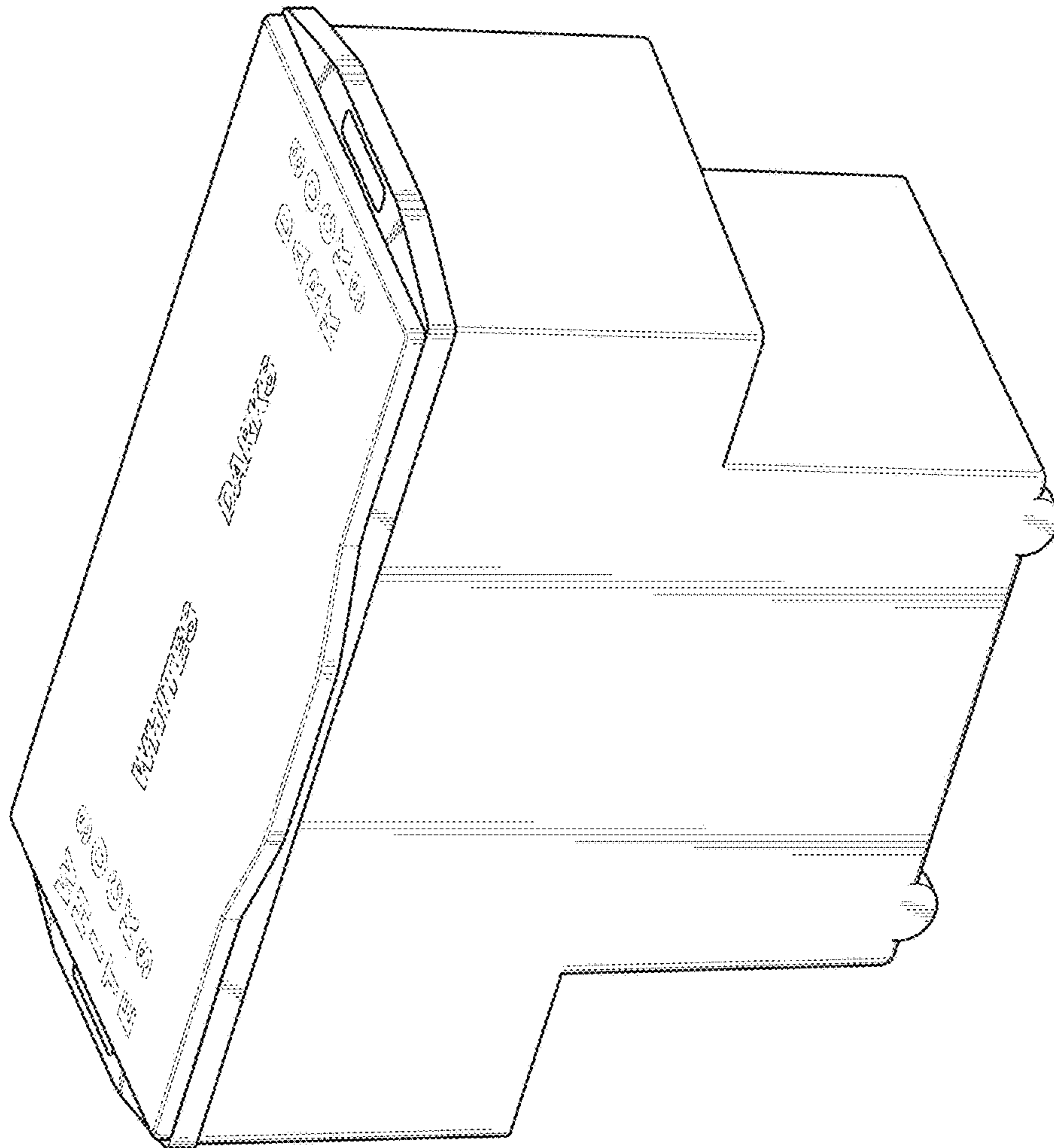


FIG. 1

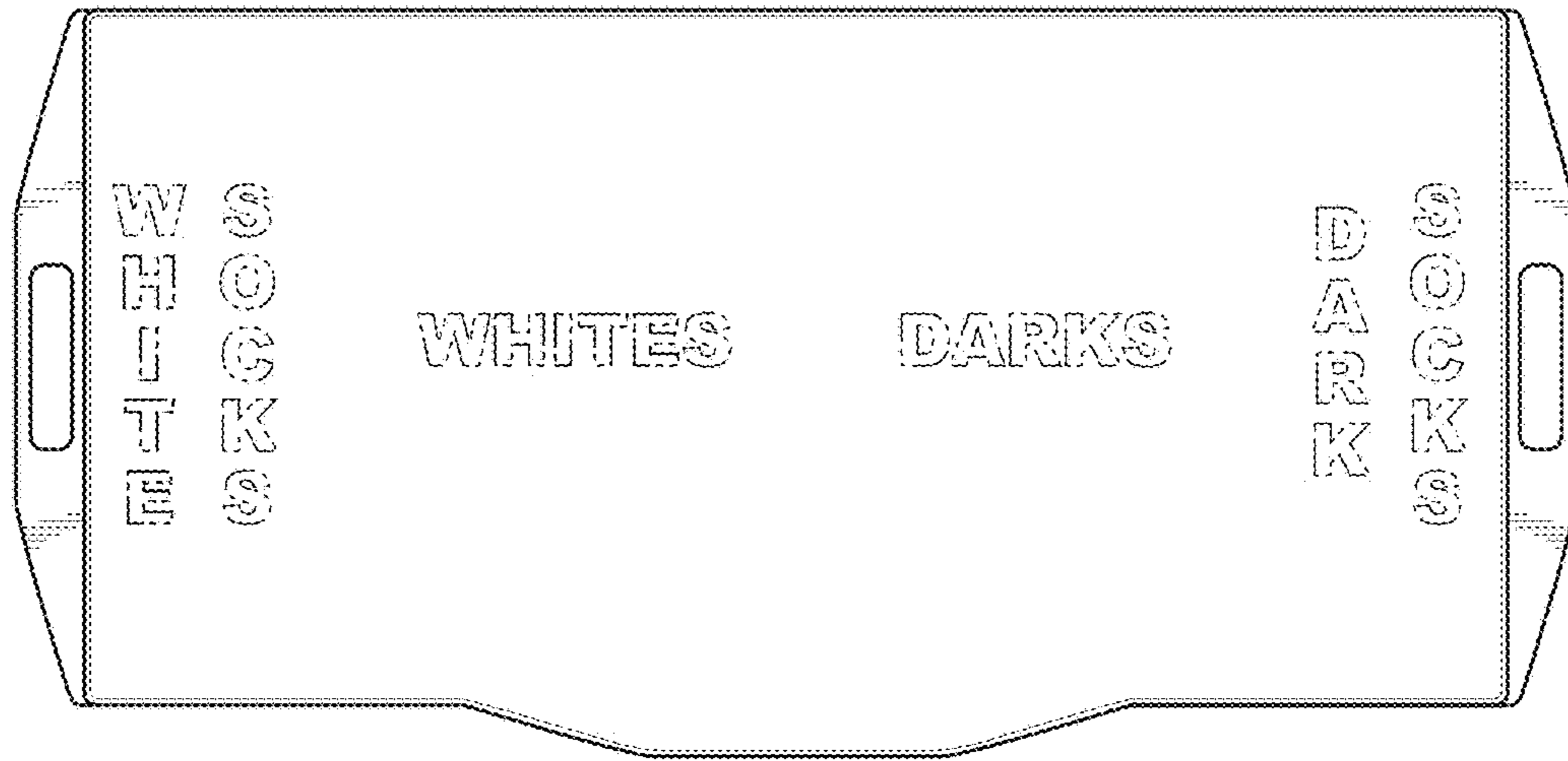
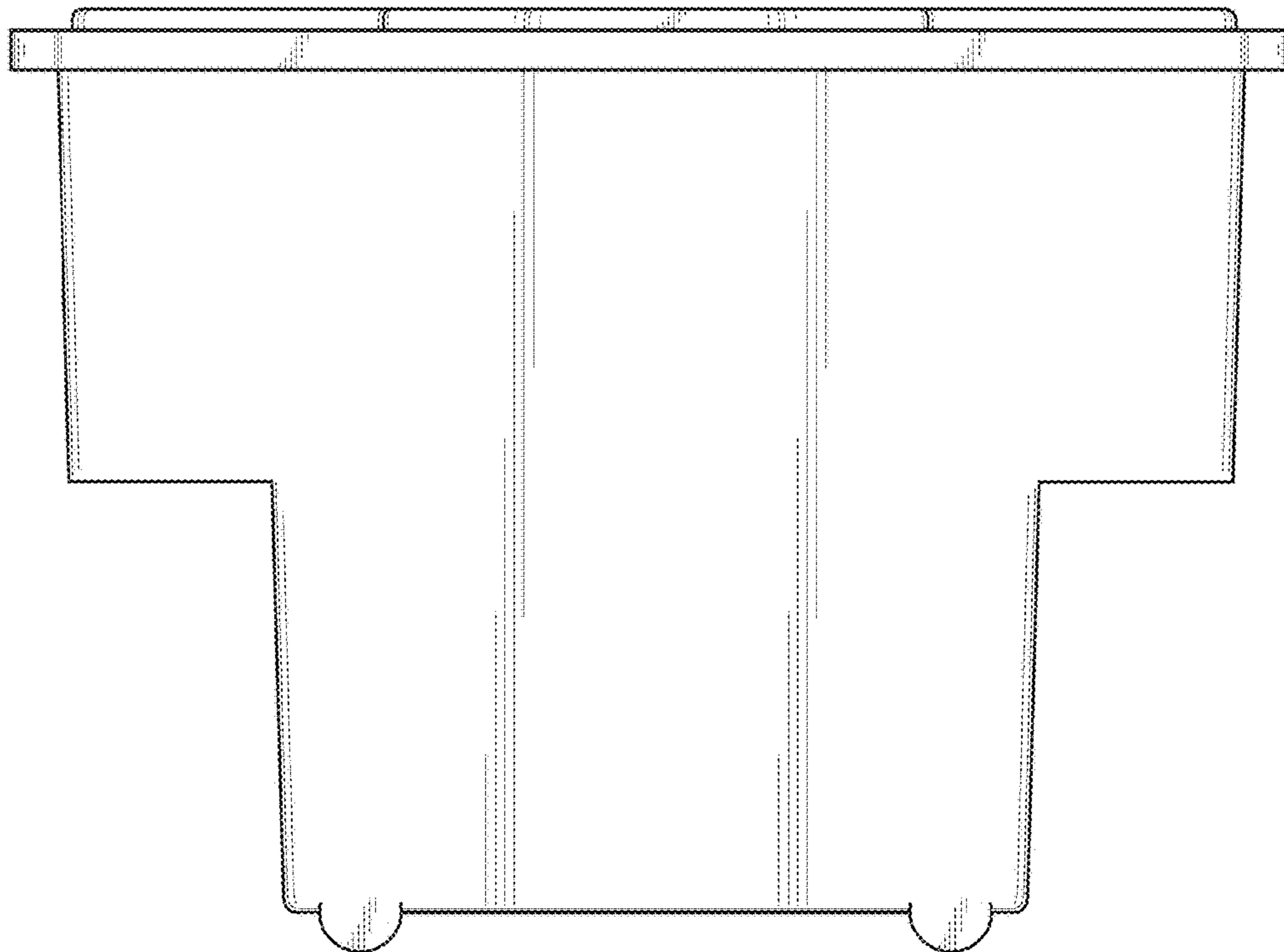


FIG. 2

FIG. 3



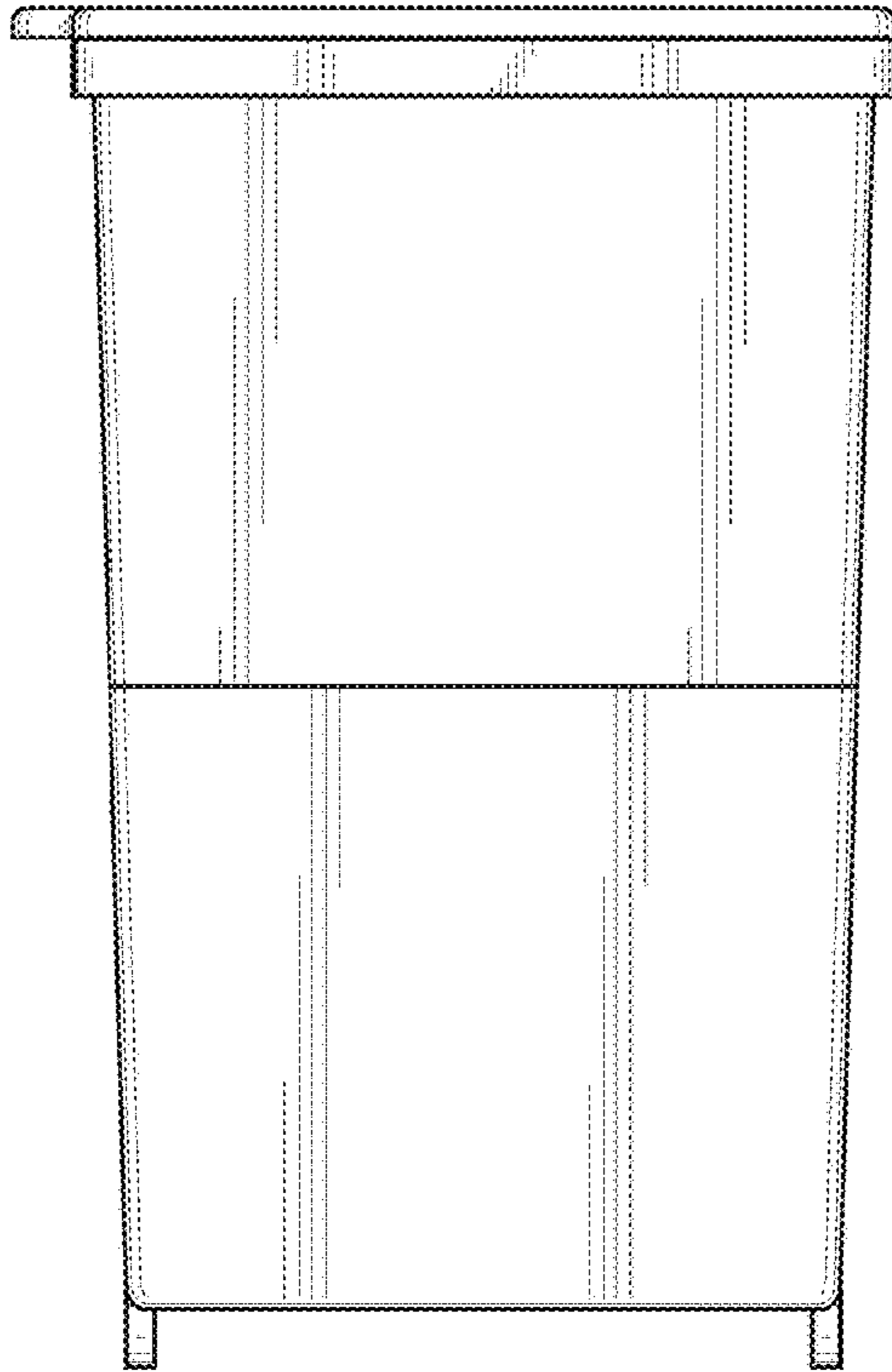


FIG. 4

FIG. 5

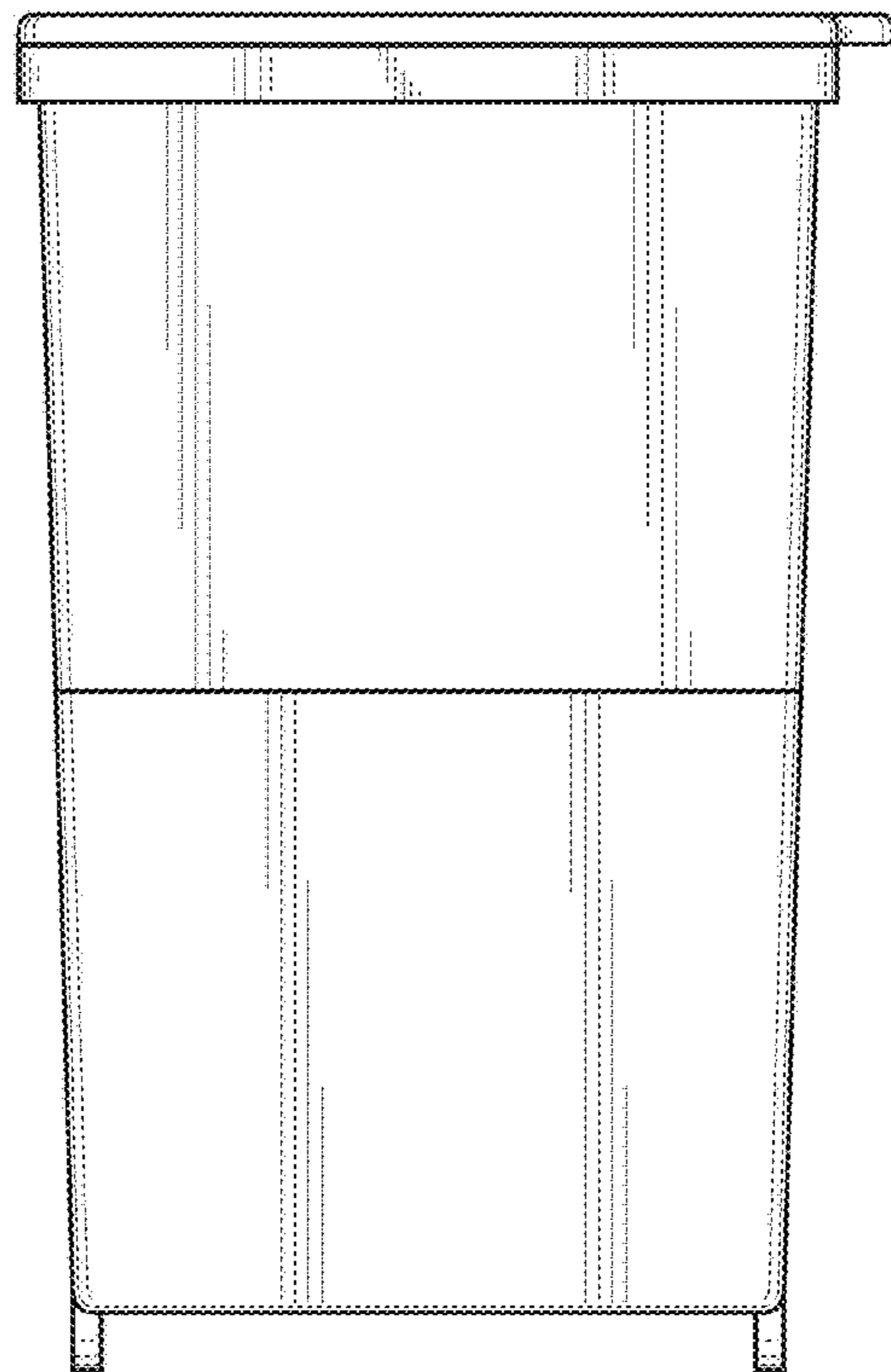


FIG. 6

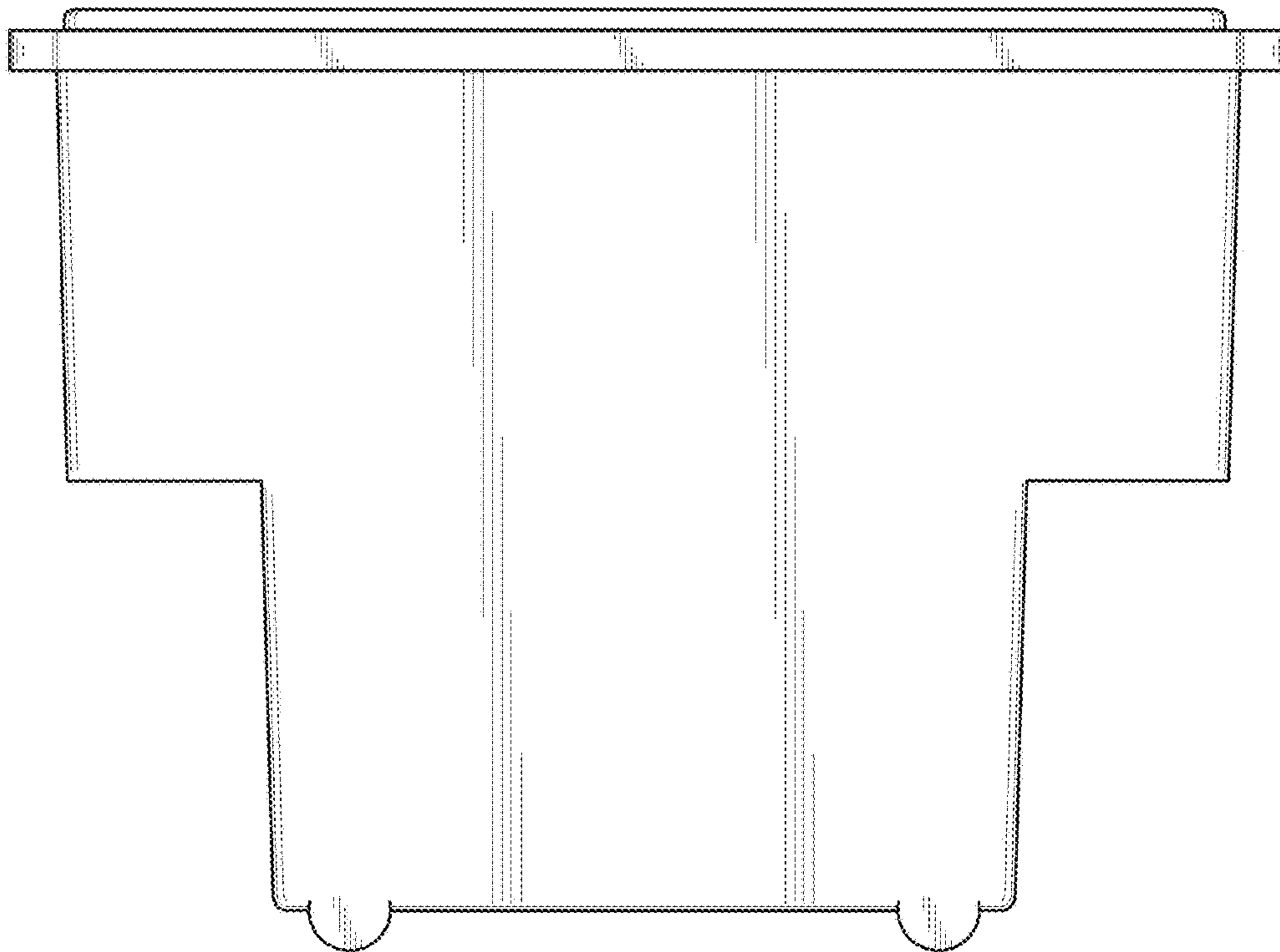
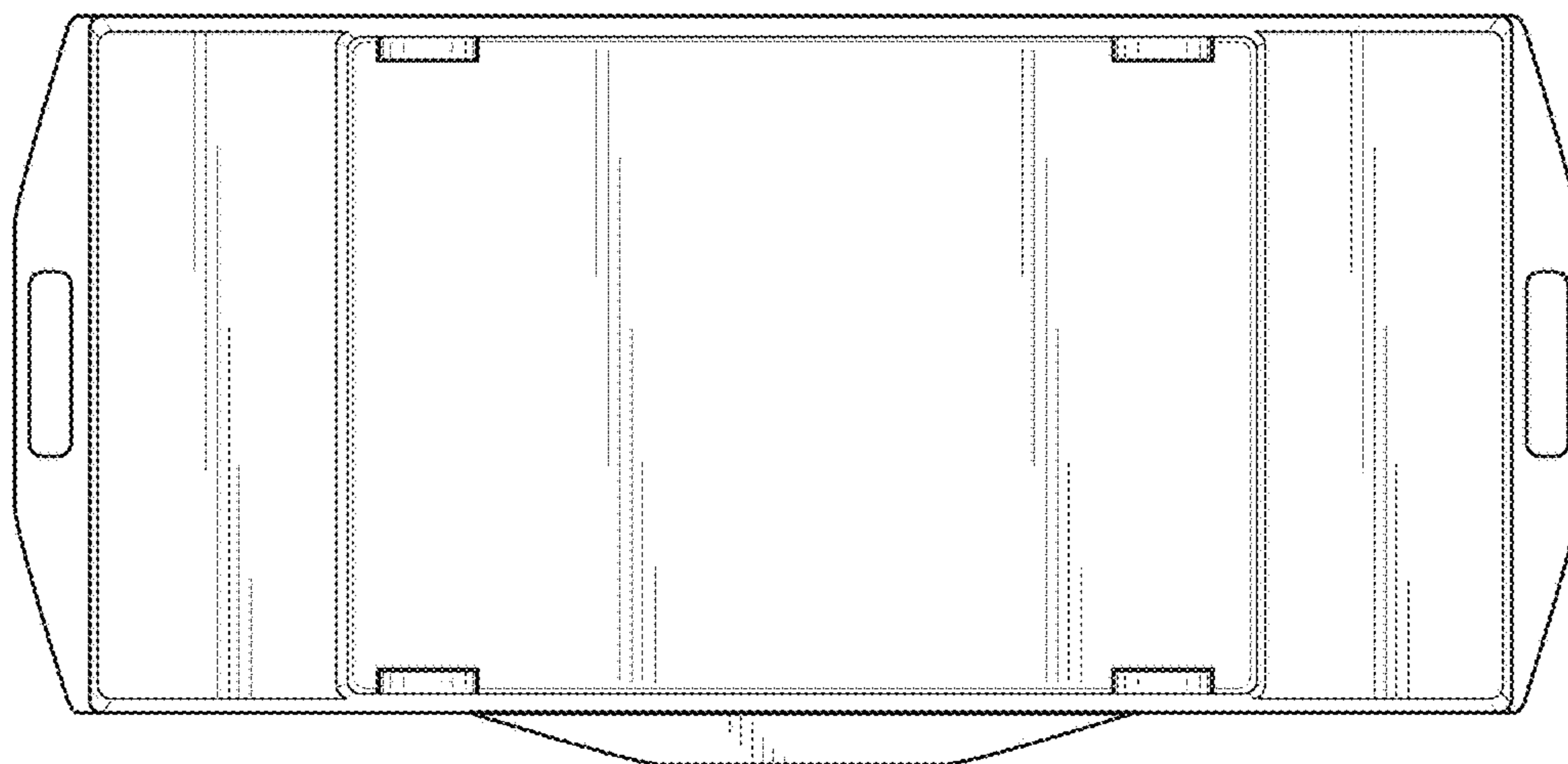


FIG. 7



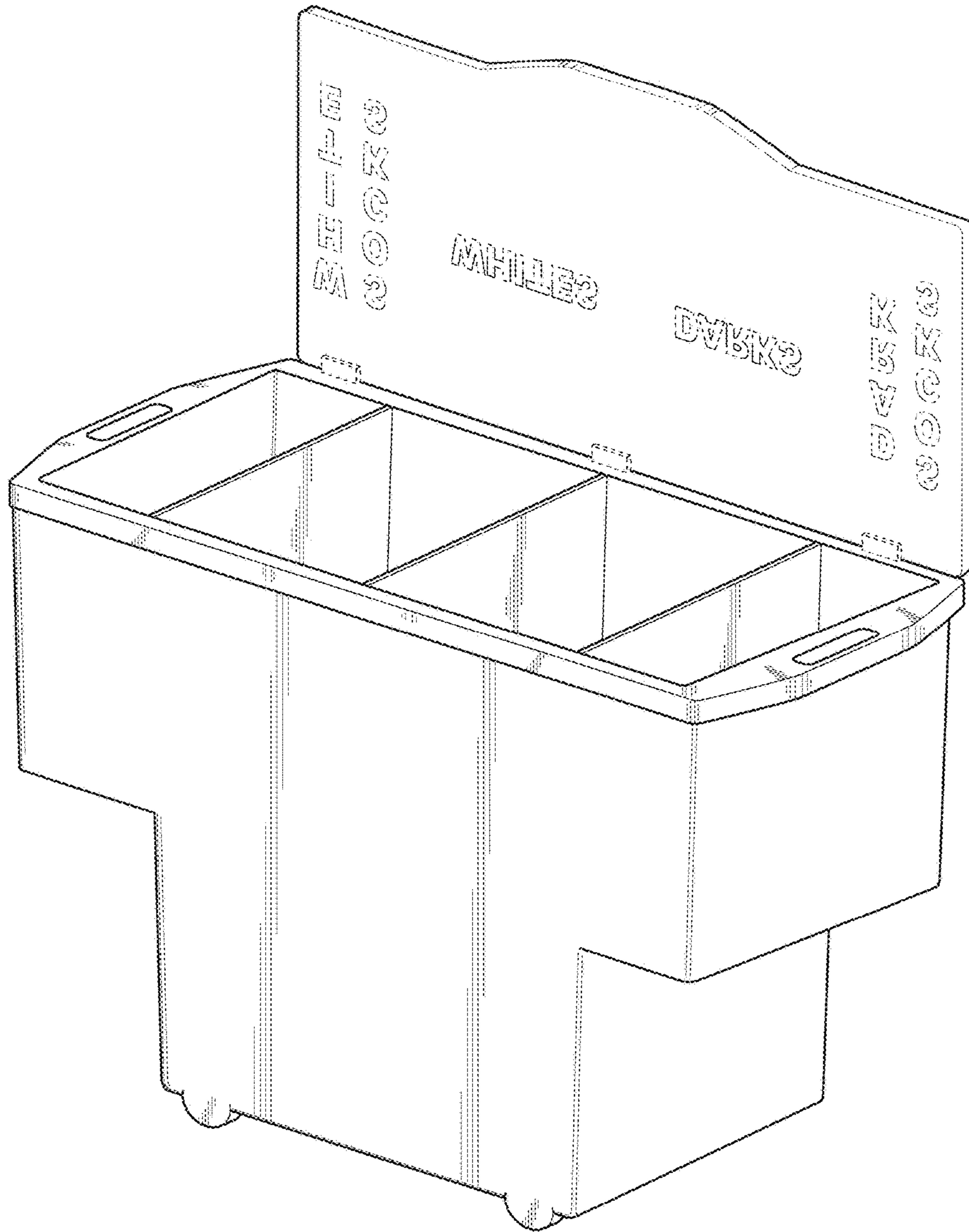


FIG. 8