



US00D857320S

(12) **United States Design Patent**
Chavana, Jr. et al.

(10) **Patent No.:** **US D857,320 S**
(45) **Date of Patent:** **** Aug. 20, 2019**

(54) **RECOVERY TANK**

FOREIGN PATENT DOCUMENTS

- (71) Applicant: **Rug Doctor, LLC**, Plano, TX (US)
- (72) Inventors: **Ernest Matthew Chavana, Jr.**, Villa Ridge, MO (US); **Richard Foster**, Powell, OH (US); **Stanley Anderson**, Fenton, MO (US); **Christopher Terpstra**, Frisco, TX (US); **Jan Valentic**, Plano, TX (US); **Xintao Ma**, Suzhou (CN)
- (73) Assignee: **RUG DOCTOR, LLC**, Plano, TX (US)
- (**) Term: **15 Years**

CN	304806511	*	9/2018
CN	304842717	*	10/2018

OTHER PUBLICATIONS

Internet, <https://www.honnedepot.com/p/Rug-Doctor-FlexClean-Upright-Carpet-and-Hard-Floor-Cleaner-with-9-oz-All-In-One-Multi-Surface-Cleaning-Solution-93196/304364206> (Year: 2018).*

Primary Examiner — Cynthia Ramirez

Assistant Examiner — Laura H Yu

(74) *Attorney, Agent, or Firm* — Hauptman Ham, LLP

- (21) Appl. No.: **29/625,428**
- (22) Filed: **Nov. 9, 2017**
- (51) **LOC (12) Cl.** **15-05**
- (52) **U.S. Cl.**
USPC **D32/31**
- (58) **Field of Classification Search**
USPC D32/15, 17, 18, 25, 31, 34, 39, 49, 51, D32/52, 71, 72; 15/321
CPC A47L 11/4088; A47L 11/4075; A47L 11/4002; A47L 11/4044; A47L 11/4072; A47L 11/4008; A47L 11/4036; A47L 11/201; A47L 11/202; A47L 11/307; A47L 11/34
See application file for complete search history.

(57) **CLAIM**

The ornamental design for a recovery tank, as shown and described.

DESCRIPTION

FIG. 1 is a perspective view of a first embodiment of a recovery tank showing our new design; FIG. 2 is a front view of the recovery tank of FIG. 1; FIG. 3 is a rear view of the recovery tank of FIG. 1; FIG. 4 is a left side view of the recovery tank of FIG. 1; FIG. 5 is a right side view of the recovery tank of FIG. 1; FIG. 6 is a top view of the recovery tank of FIG. 1; FIG. 7 is a bottom view of the recovery tank of FIG. 1; FIG. 8 is a perspective view of a second embodiment of a recovery tank showing our new design; FIG. 9 is a front view of the recovery tank of FIG. 8; FIG. 10 is a rear view of the recovery tank of FIG. 8; FIG. 11 is a left side view of the recovery tank of FIG. 8; FIG. 12 is a right side view of the recovery tank of FIG. 8; FIG. 13 is a top view of the recovery tank 8; and, FIG. 14 is a bottom view of the recovery tank of FIG. 8. The broken lines in the drawings show portions of the recovery tank that form no part of the claimed design.

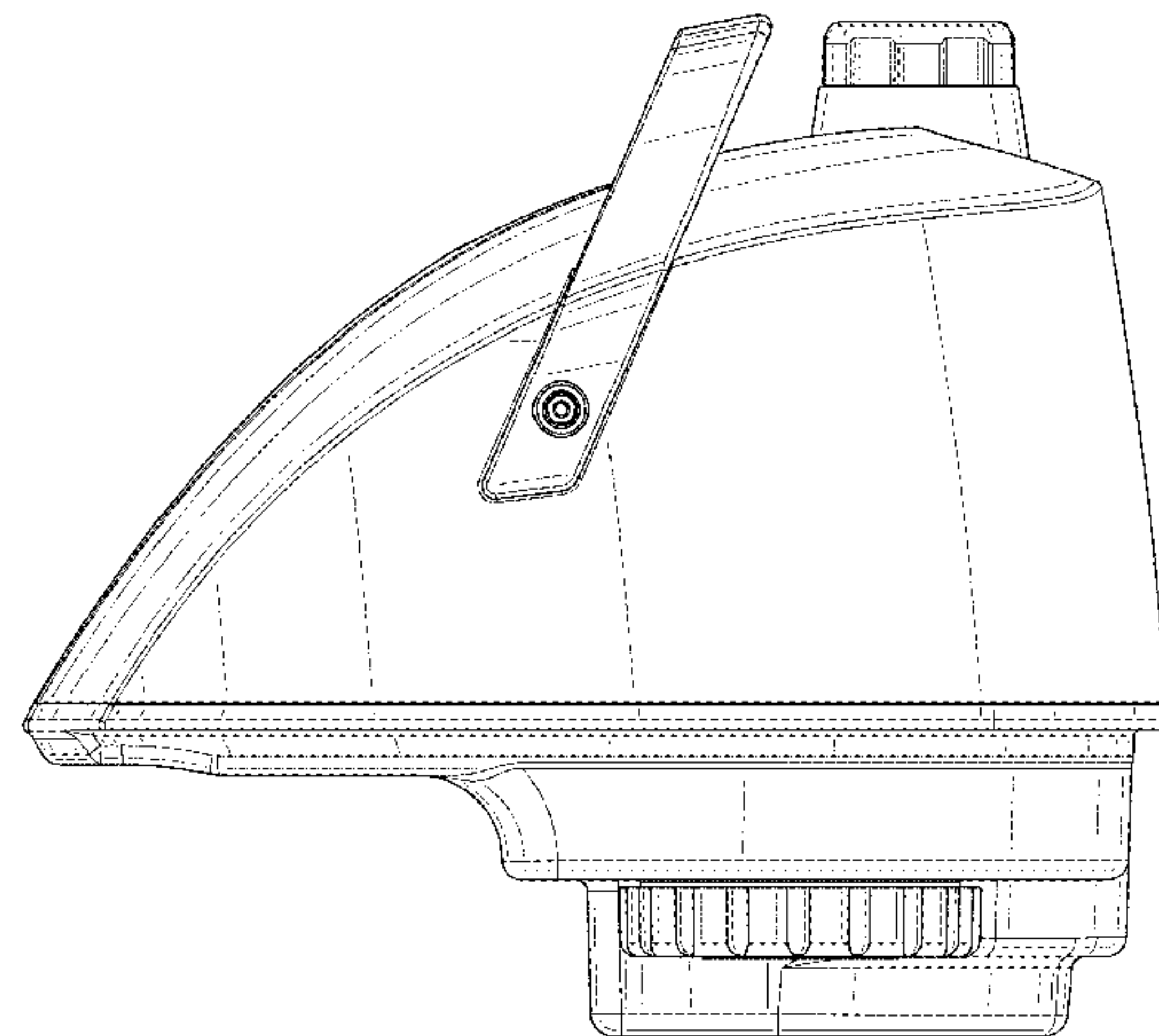
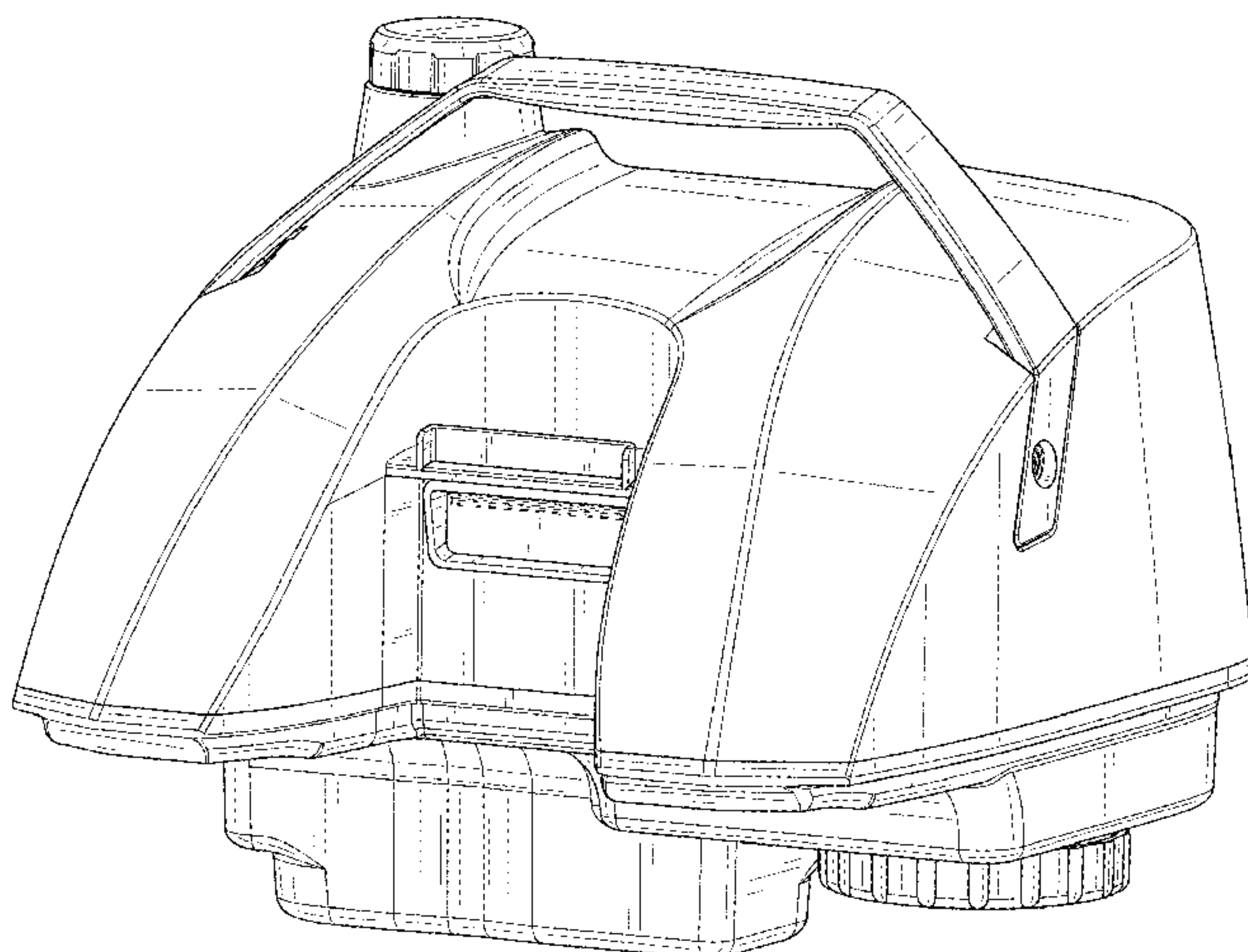
(56) **References Cited**

U.S. PATENT DOCUMENTS

D315,235 S *	3/1991	Berfield	D32/31
D381,481 S *	7/1997	Medema	D32/31
6,167,586 B1 *	1/2001	Reed, Jr.	A47L 5/28
				137/614.2
6,533,871 B2 *	3/2003	Zahuranec	A47L 5/32
				134/21
D588,761 S *	3/2009	Griffin	D32/31
D798,008 S *	9/2017	Malatray	D32/17

(Continued)

1 Claim, 14 Drawing Sheets



(56)

References Cited

U.S. PATENT DOCUMENTS

D804,119 S * 11/2017 Cui D32/31
2015/0059106 A1 * 3/2015 Rief E04H 4/1672
15/1.7

* cited by examiner

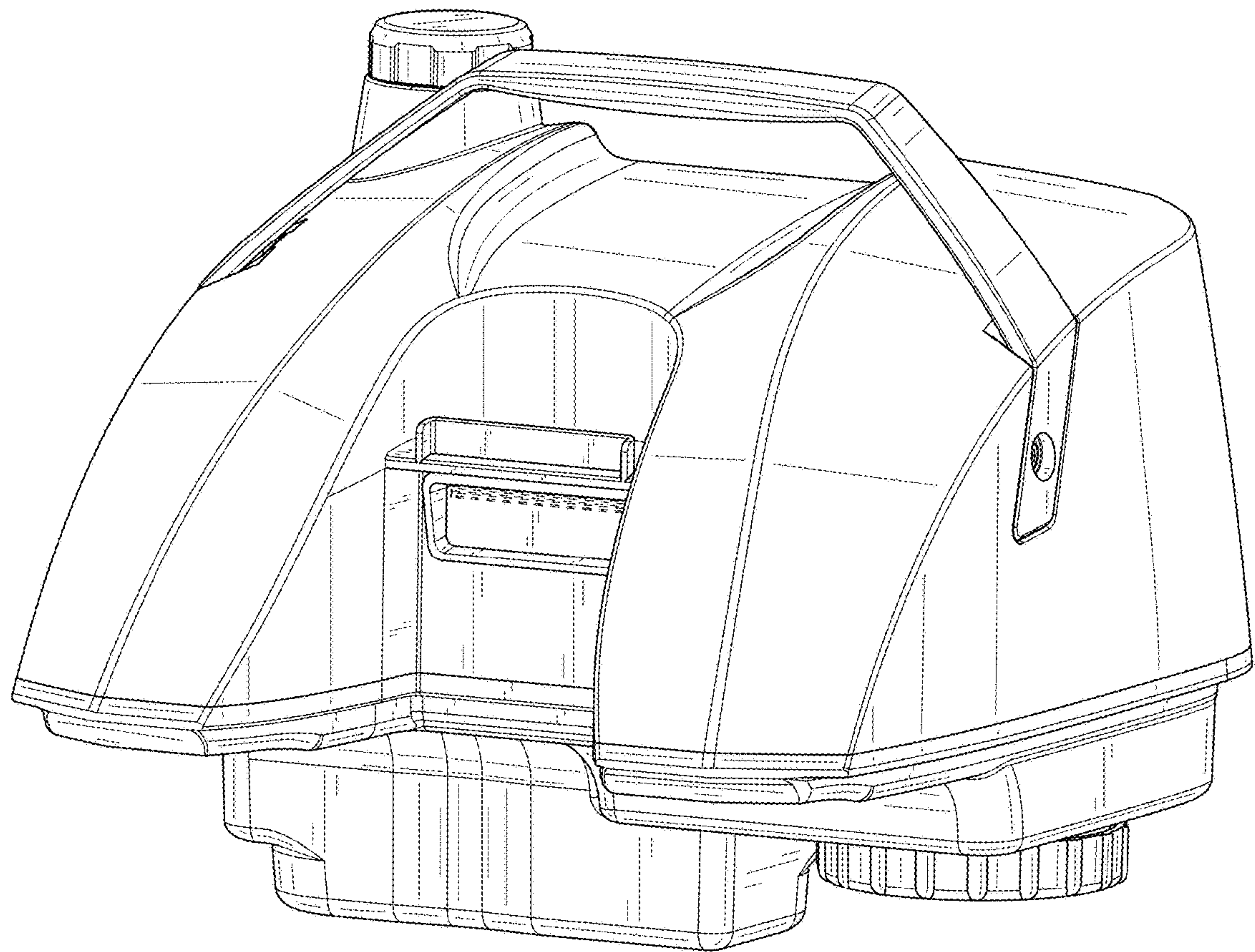


FIG. 1

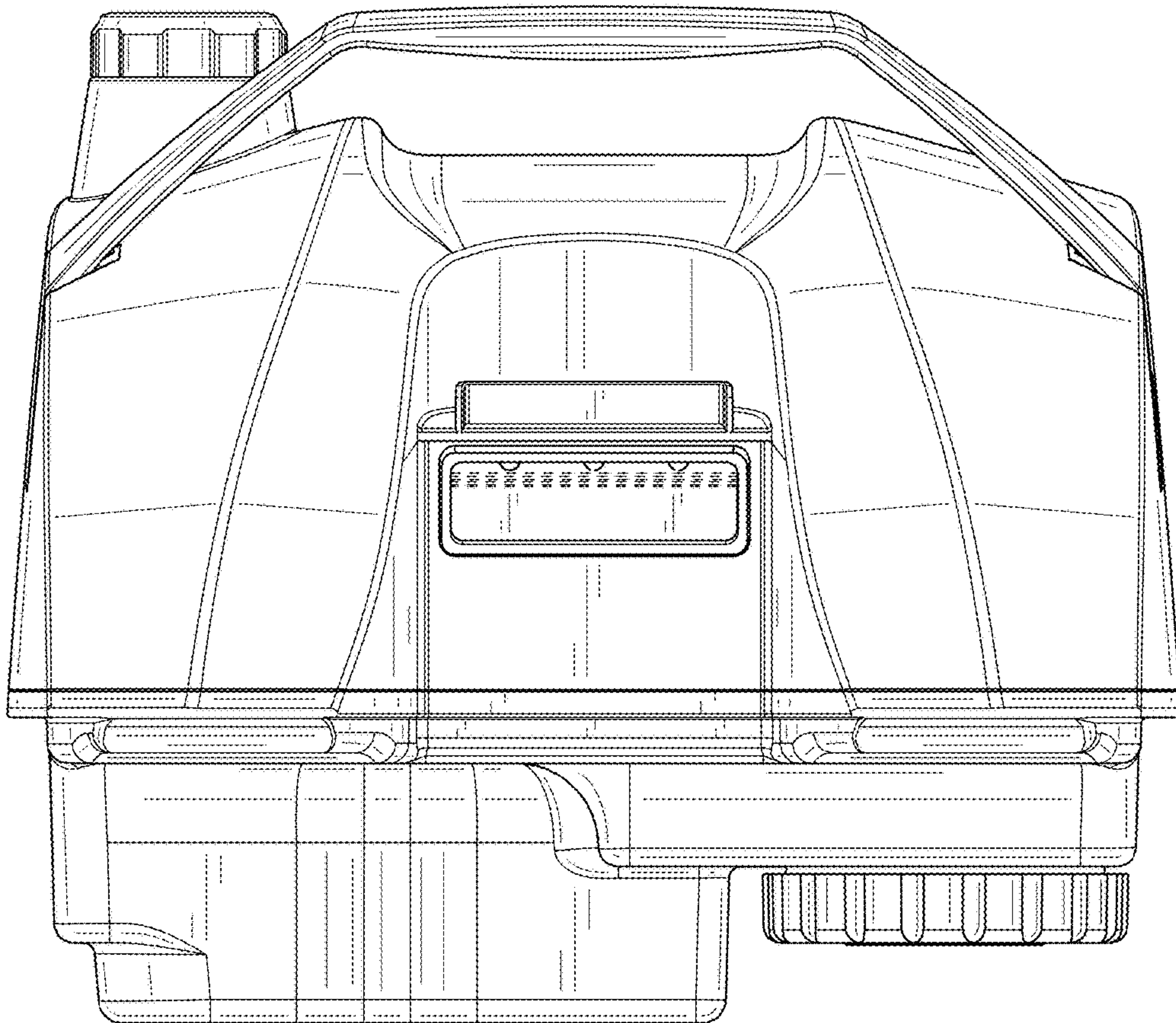


FIG. 2

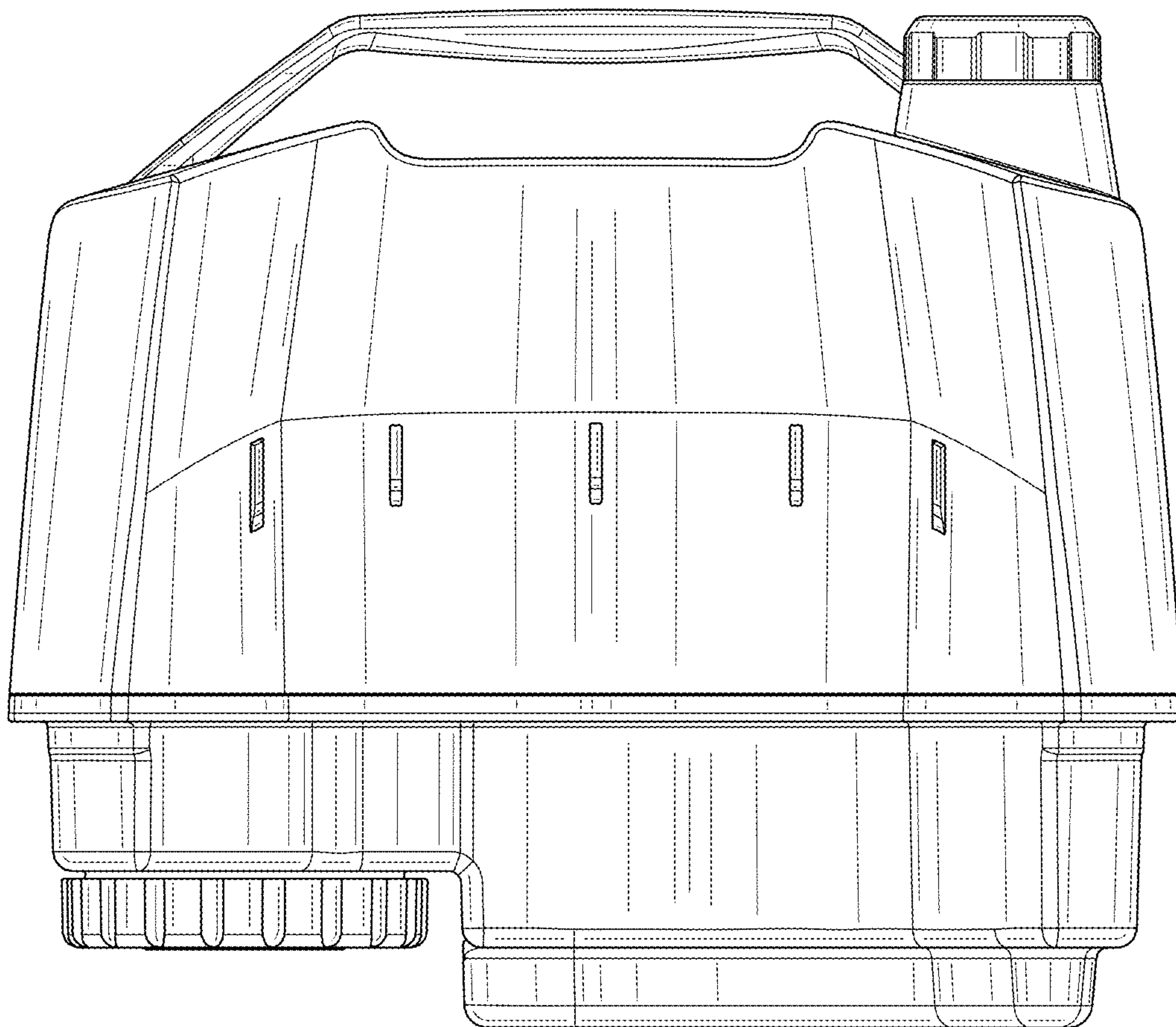


FIG. 3

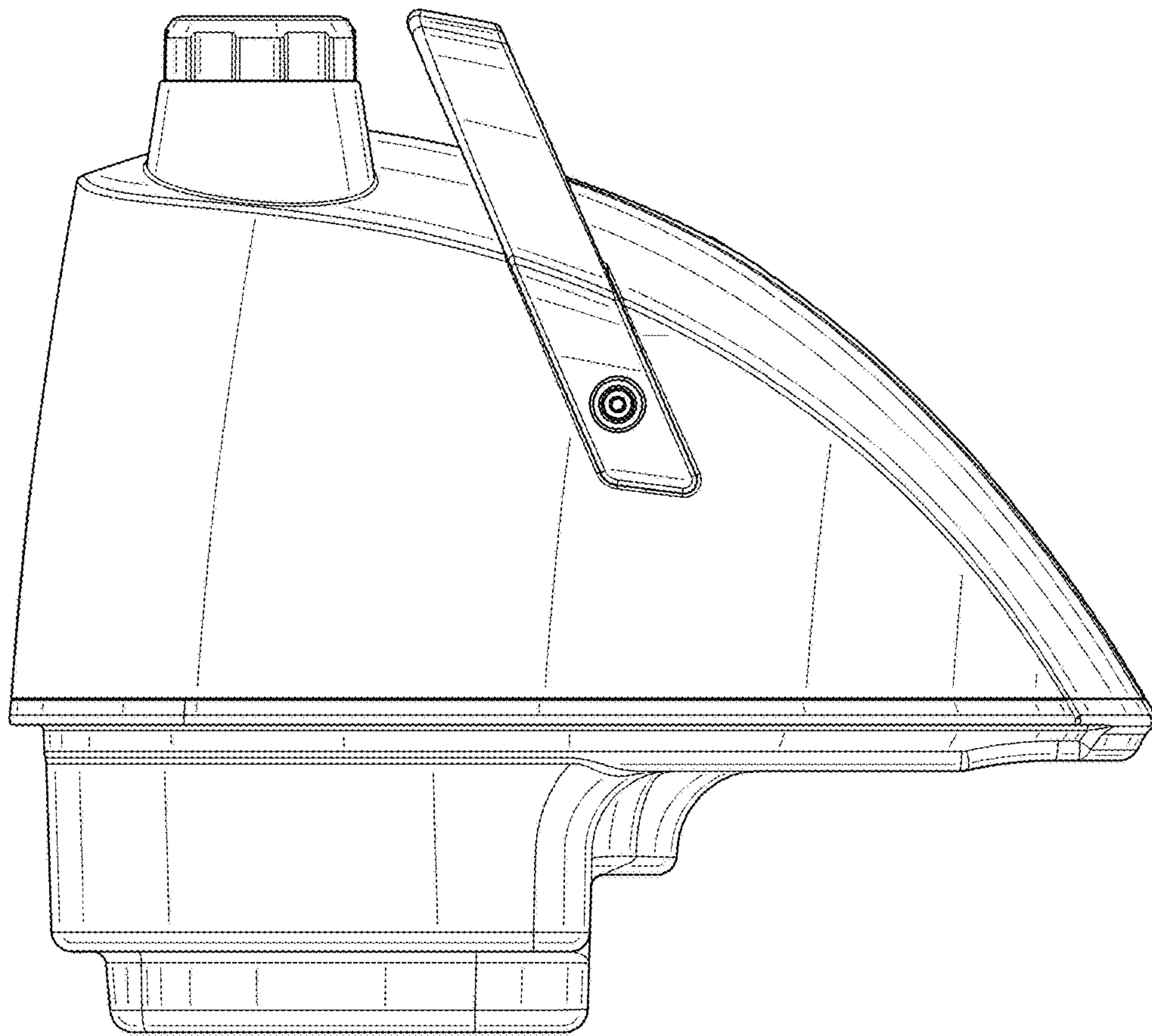


FIG. 4

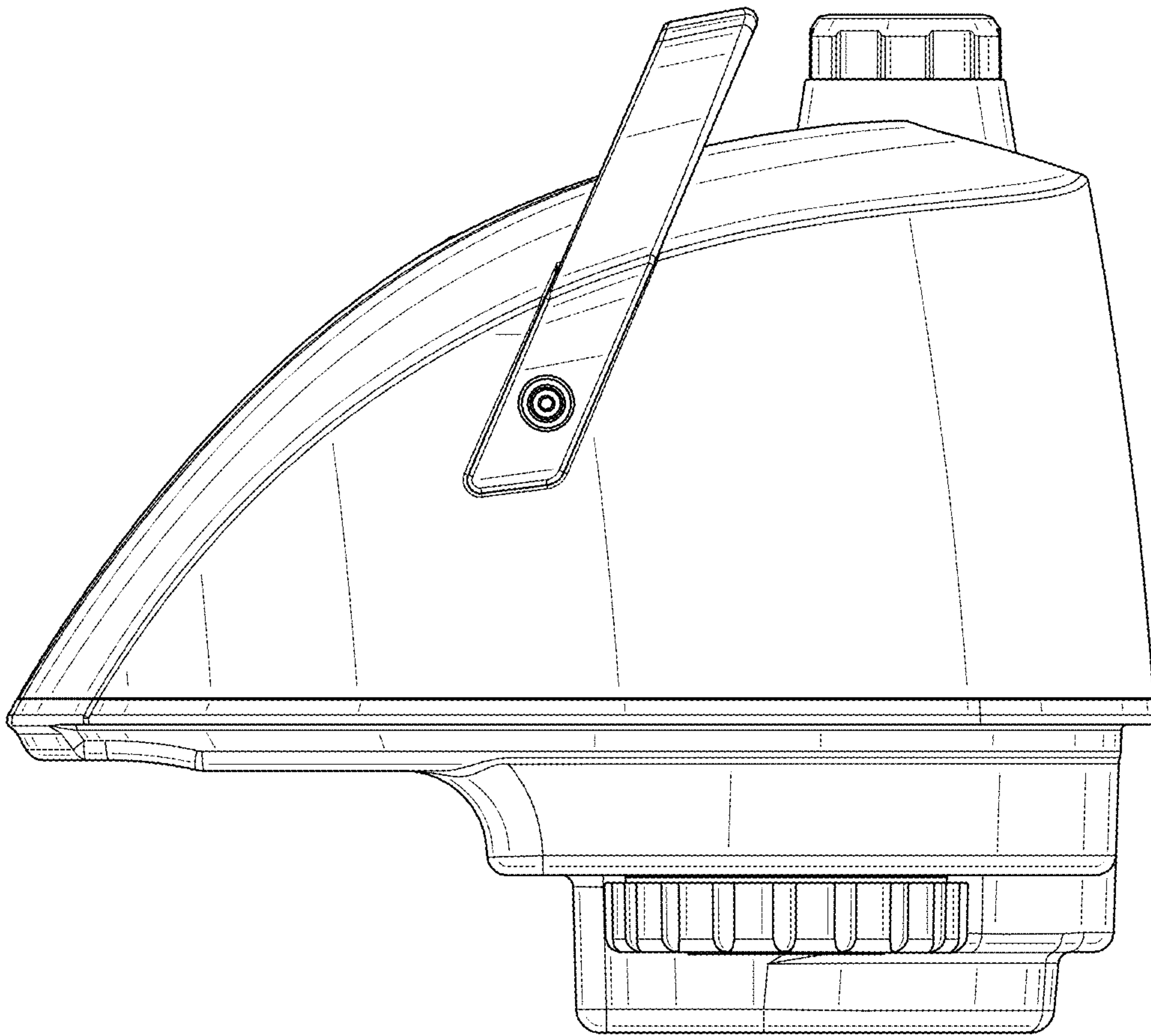


FIG. 5

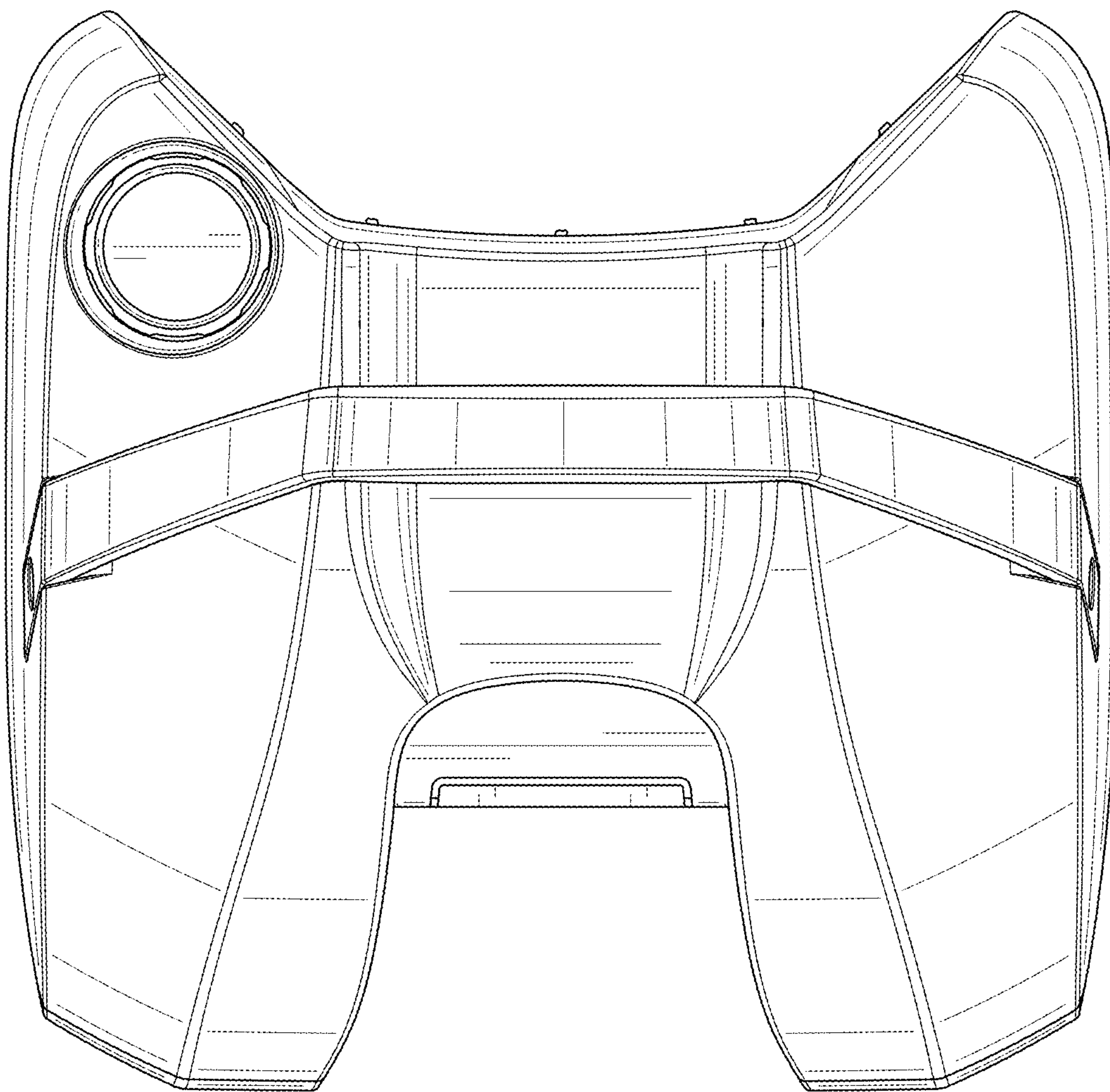


FIG. 6

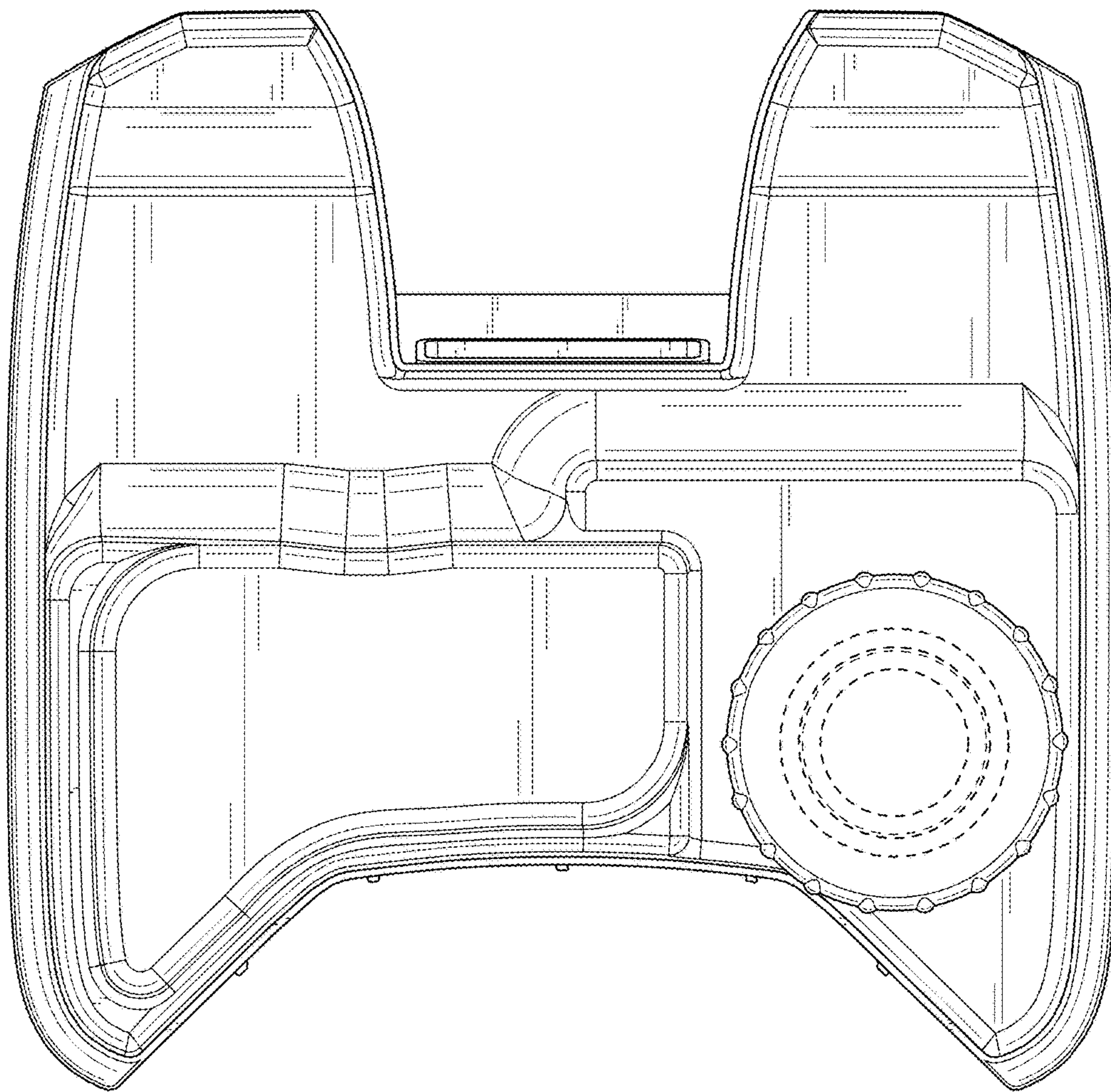


FIG. 7

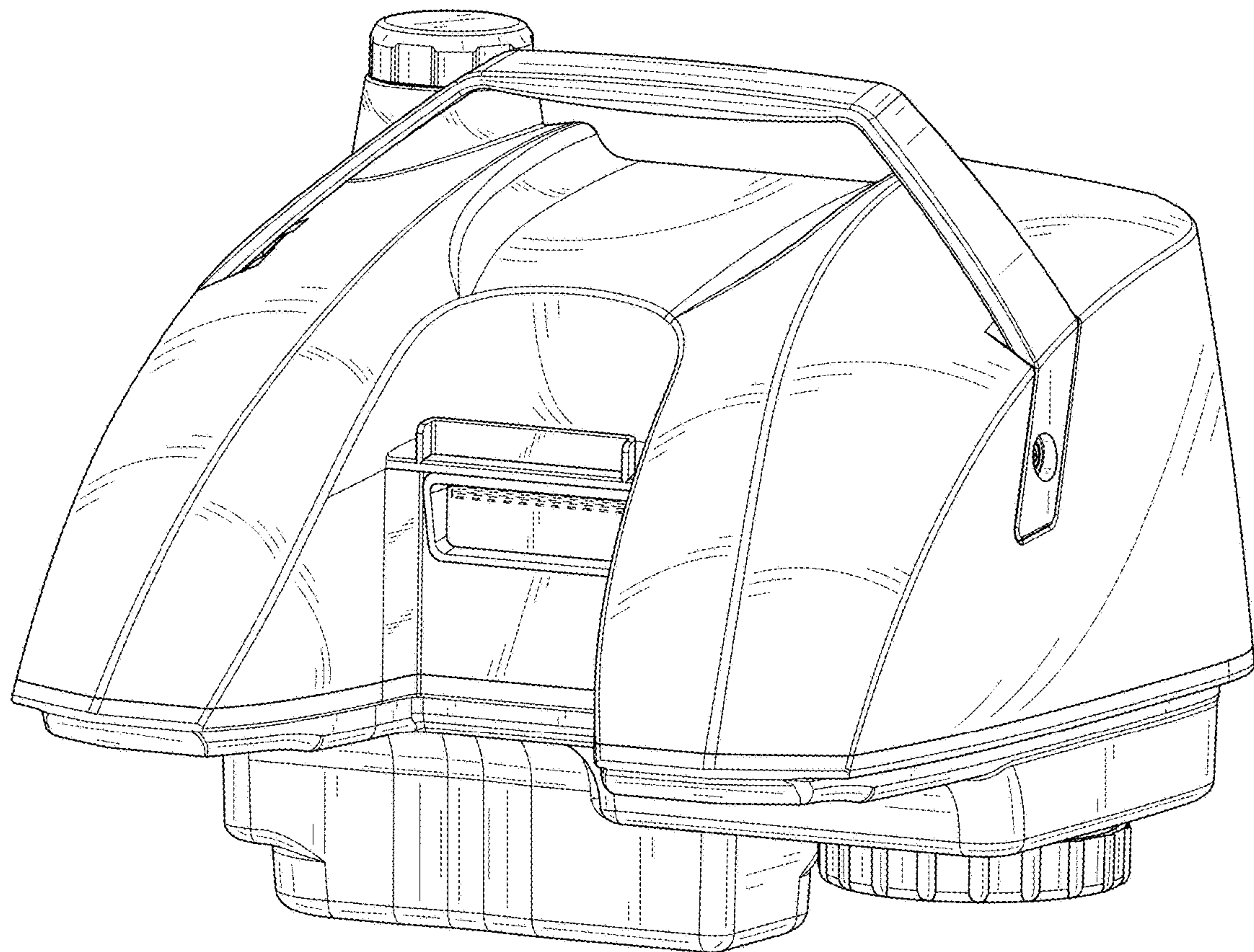


FIG. 8

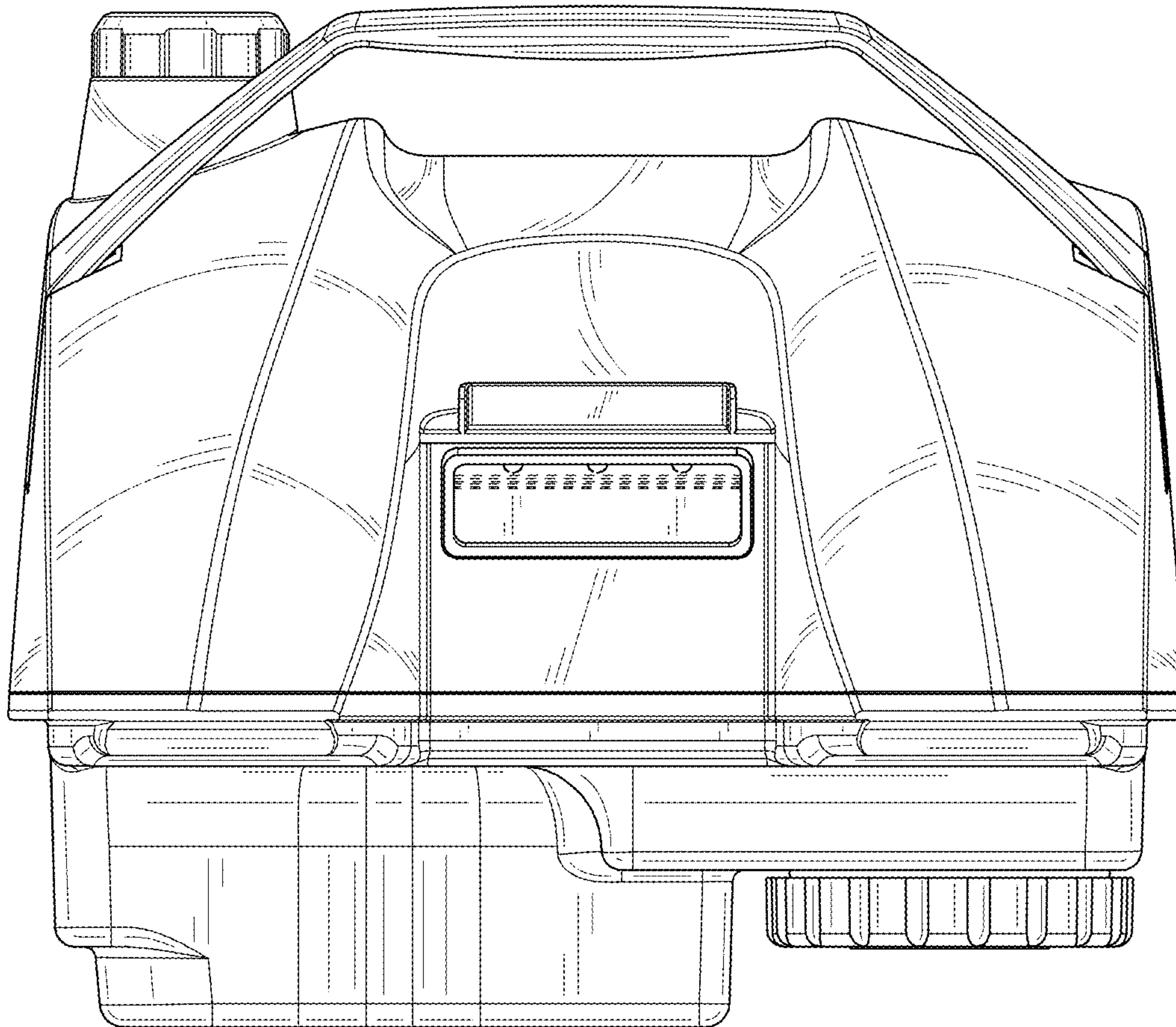


FIG. 9

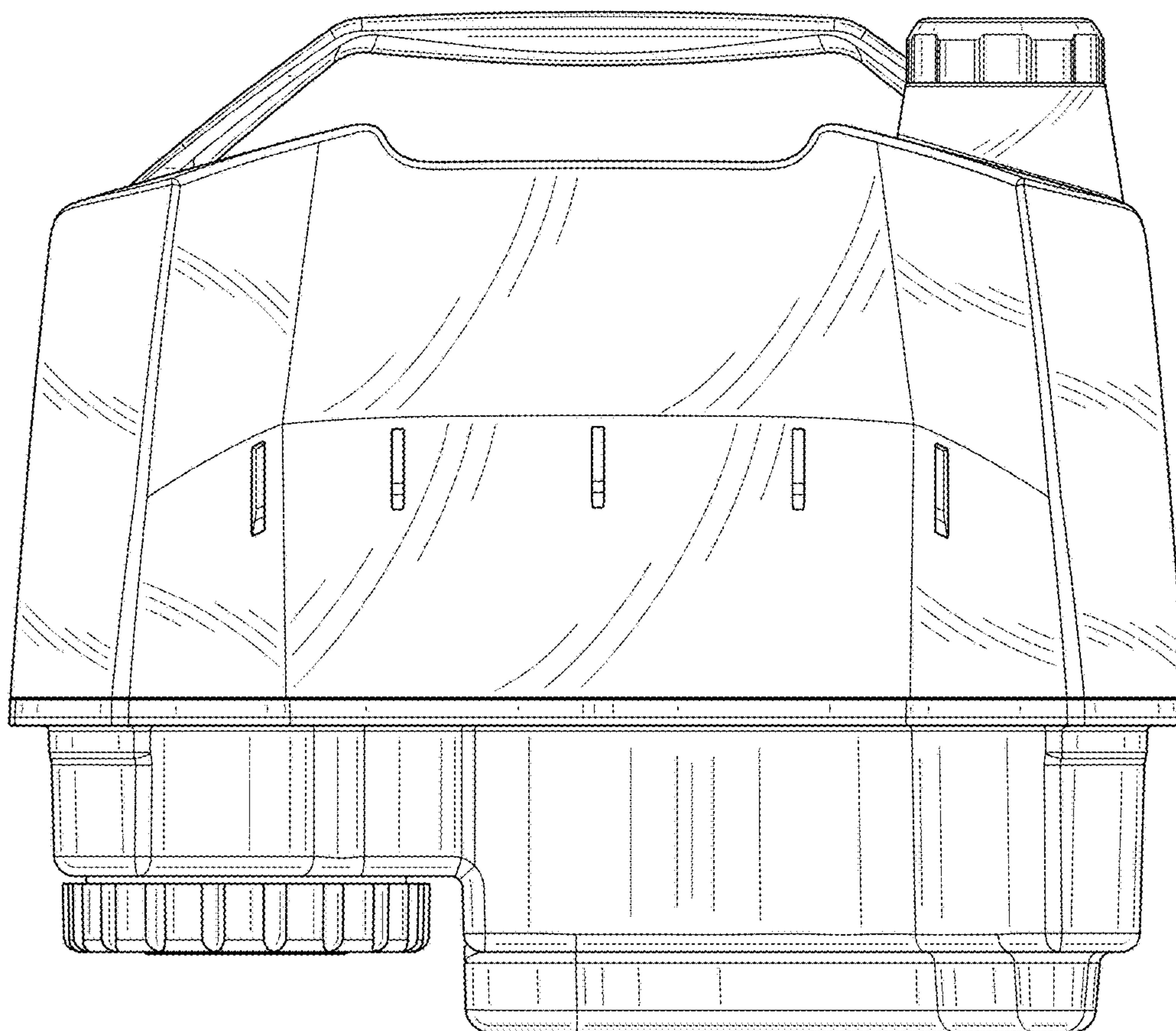


FIG. 10

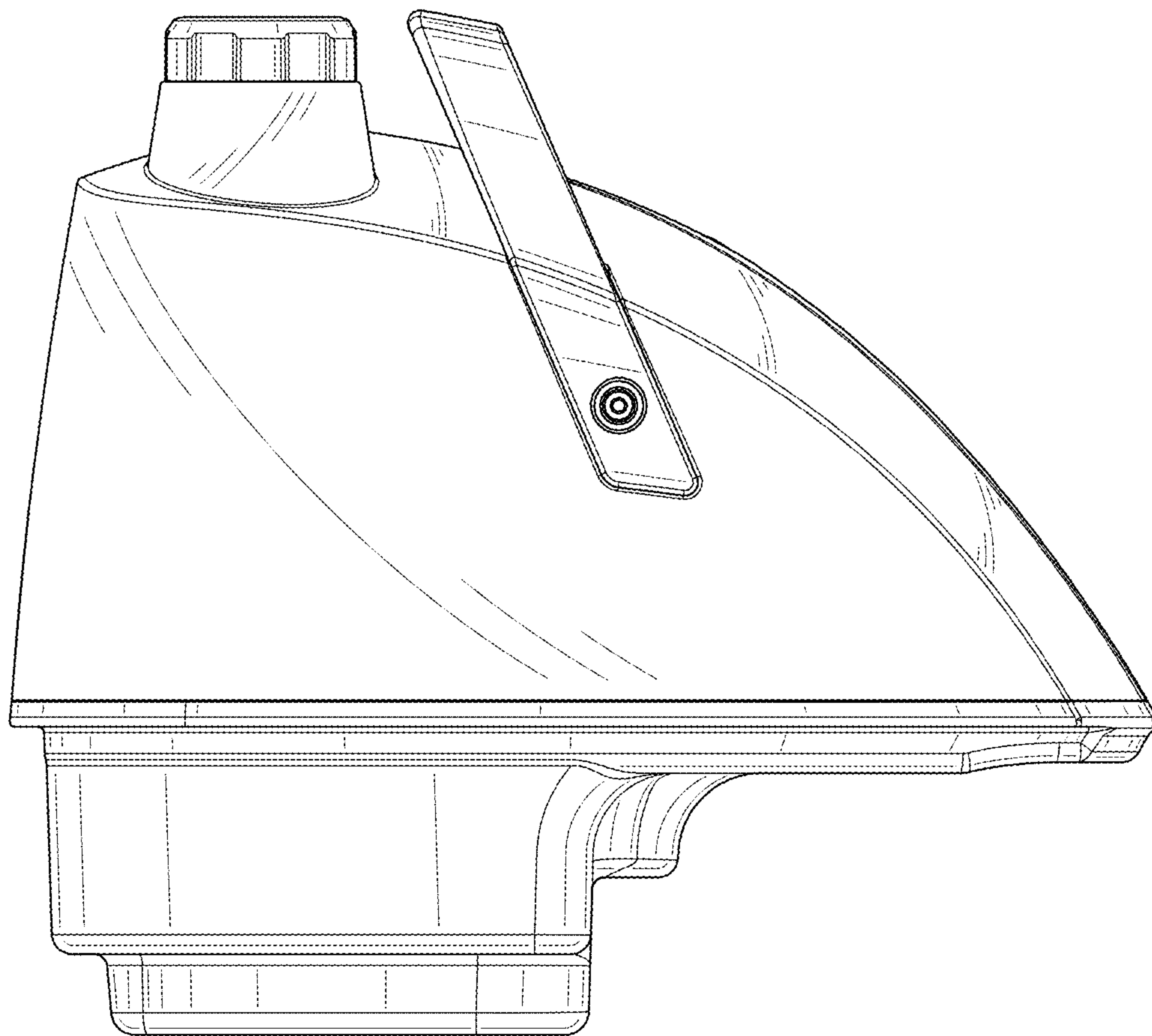


FIG. 11

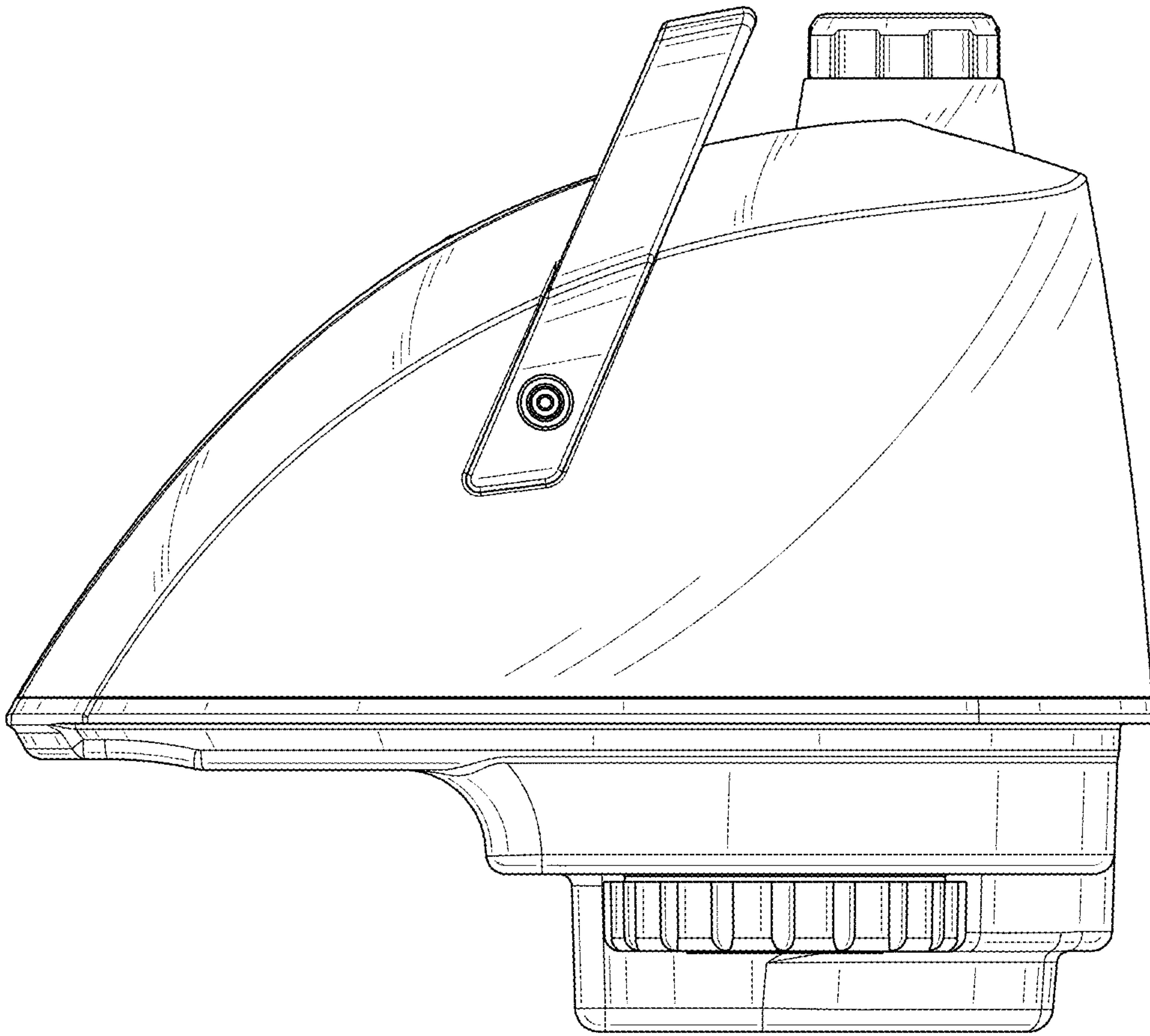


FIG. 12

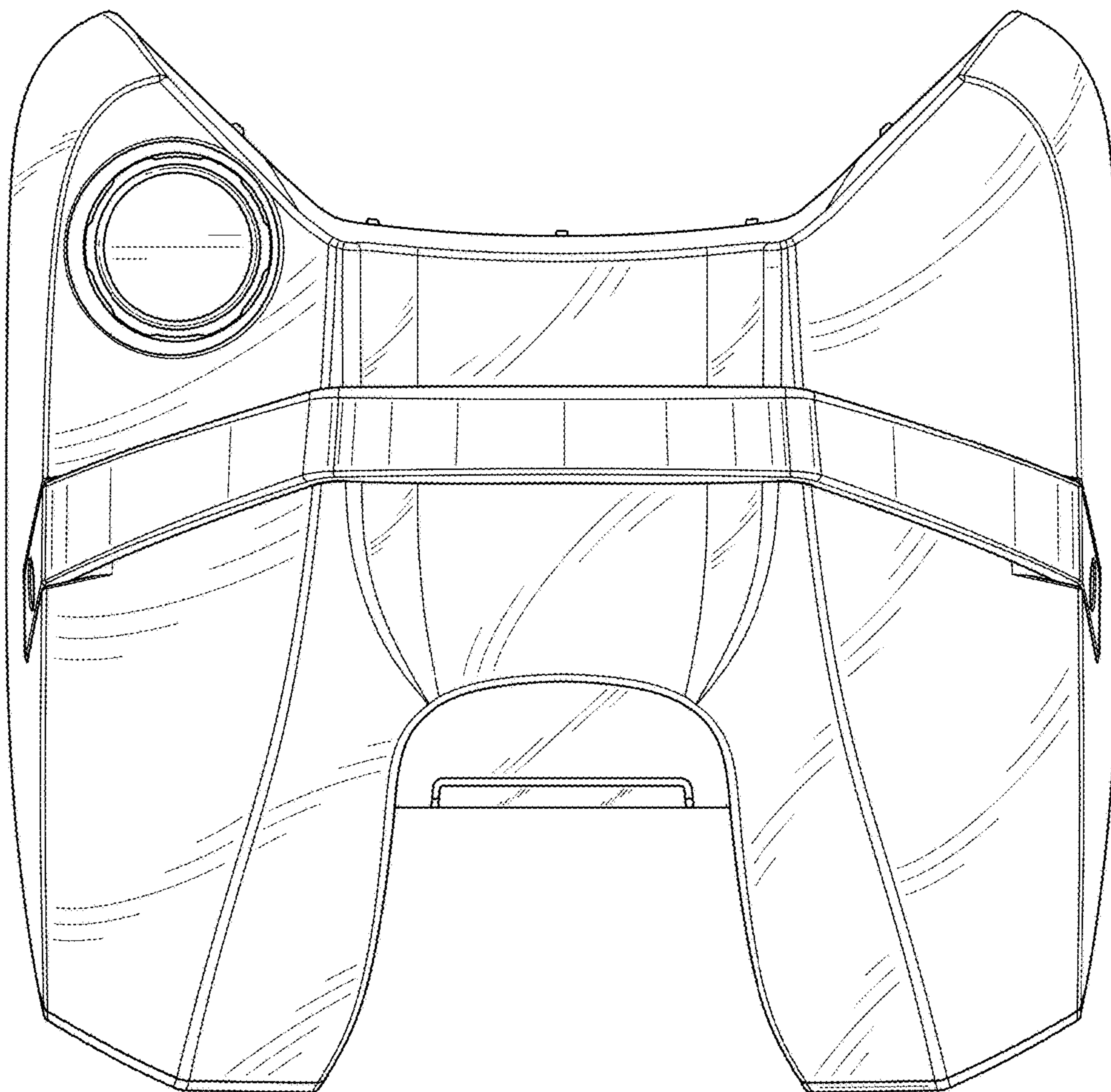


FIG. 13

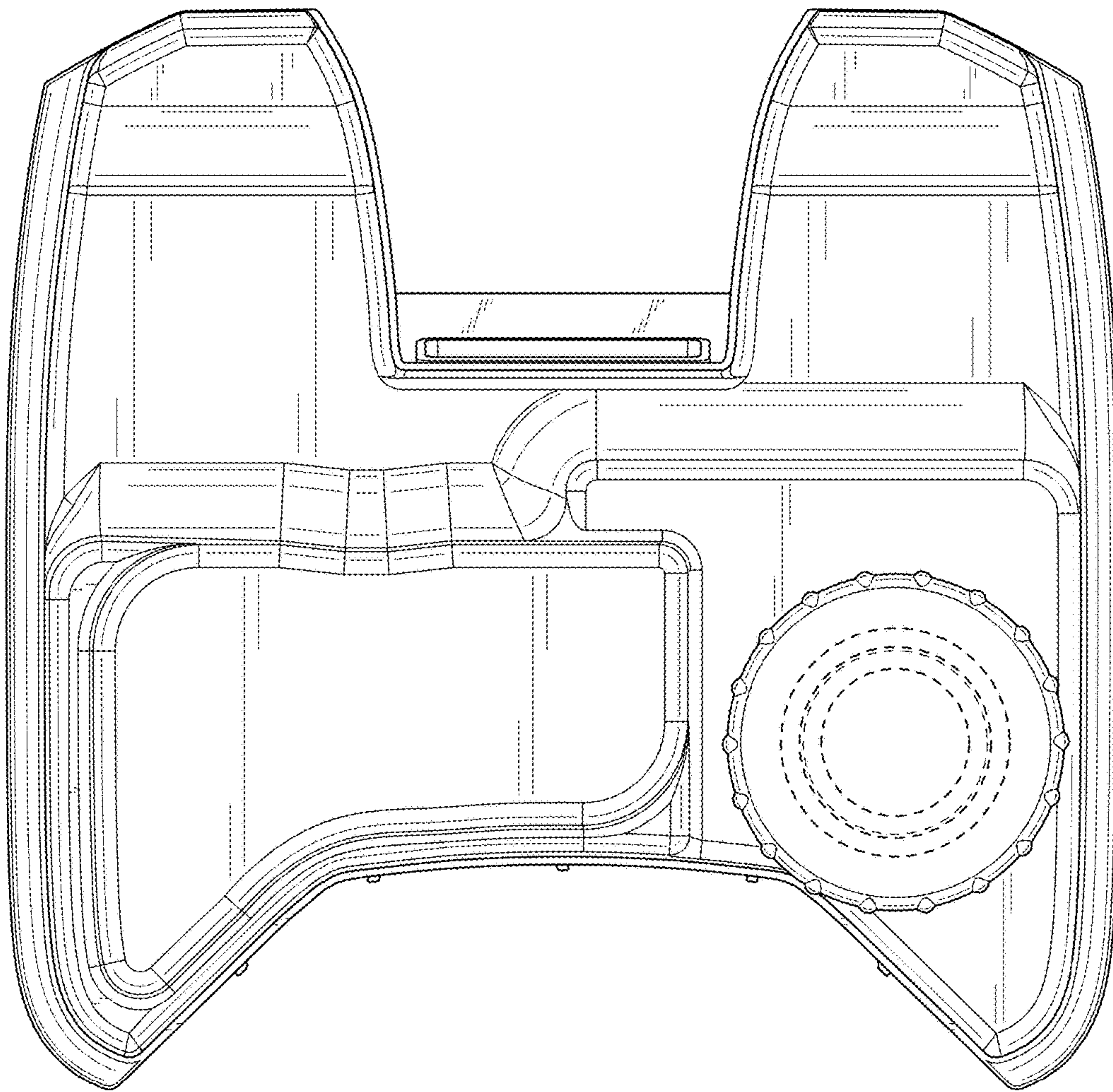


FIG. 14