



US00D857318S

(12) **United States Design Patent**
Yoon et al.

(10) **Patent No.:** **US D857,318 S**
(45) **Date of Patent:** **** Aug. 20, 2019**

(54) **WASHING MACHINE**

(71) Applicant: **SAMSUNG ELECTRONICS CO., LTD.**, Suwon-si, Gyeonggi-do (KR)

(72) Inventors: **Sanghun Yoon**, Seoul (KR); **Myunggyu Kim**, Seoul (KR); **Yuna Park**, Seoul (KR)

(73) Assignee: **SAMSUNG ELECTRONICS CO., LTD.**, Gyeonggi-Do (KR)

(**) Term: **15 Years**

(21) Appl. No.: **29/674,497**

(22) Filed: **Dec. 21, 2018**

Related U.S. Application Data

(63) Continuation of application No. 29/649,475, filed on May 30, 2018, now Pat. No. Des. 844,268, which is a continuation of application No. 29/593,791, filed on Feb. 13, 2017, now Pat. No. Des. 824,617.

(30) **Foreign Application Priority Data**

Nov. 29, 2016 (KR) 30-2016-0057630

(51) **LOC (12) Cl.** **15-05**

(52) **U.S. Cl.**
USPC **D32/29.1**

(58) **Field of Classification Search**
USPC D32/29.1, 29, 28, 6, 25, 8, 1, 5, 10;
D7/348-349; D6/510

CPC D06F 39/045; D06F 29/00; D06F 29/005;
D06F 25/00; D06F 39/022; D06F 33/02;
D06F 2204/065; D06F 35/006

See application file for complete search history.

(56) **References Cited**

U.S. PATENT DOCUMENTS

2,679,850 A 6/1954 Kamp
2,812,881 A 11/1957 Karig

2,969,072 A 1/1961 Barritt
4,444,730 A 4/1984 Renders et al.
4,530,370 A 7/1985 Horkey
D306,224 S 2/1990 Nystuen
4,917,272 A 4/1990 Ikeda
D308,738 S 6/1990 Nystuen
D308,739 S 6/1990 Nystuen
5,063,757 A 11/1991 Ikeda et al.
5,271,251 A 12/1993 Kovich et al.
5,297,596 A 3/1994 Anson
D352,578 S 11/1994 Mooney et al.
5,460,018 A 10/1995 Werner et al.
5,507,414 A 4/1996 Ong
D571,964 S 6/2008 Kim
D604,466 S 11/2009 Gaa et al.

(Continued)

FOREIGN PATENT DOCUMENTS

EM 002317321-0003 9/2013
KR 300743350 S 5/2014

Primary Examiner — Michelle E. Wilson

(74) *Attorney, Agent, or Firm* — Cantor Colburn LLP

(57) **CLAIM**

The ornamental design for a washing machine, as shown and described.

DESCRIPTION

FIG. 1 is a front perspective view of a washing machine, showing our new design;

FIG. 2 is a front view thereof;

FIG. 3 is a rear view thereof;

FIG. 4 is a left-side view thereof;

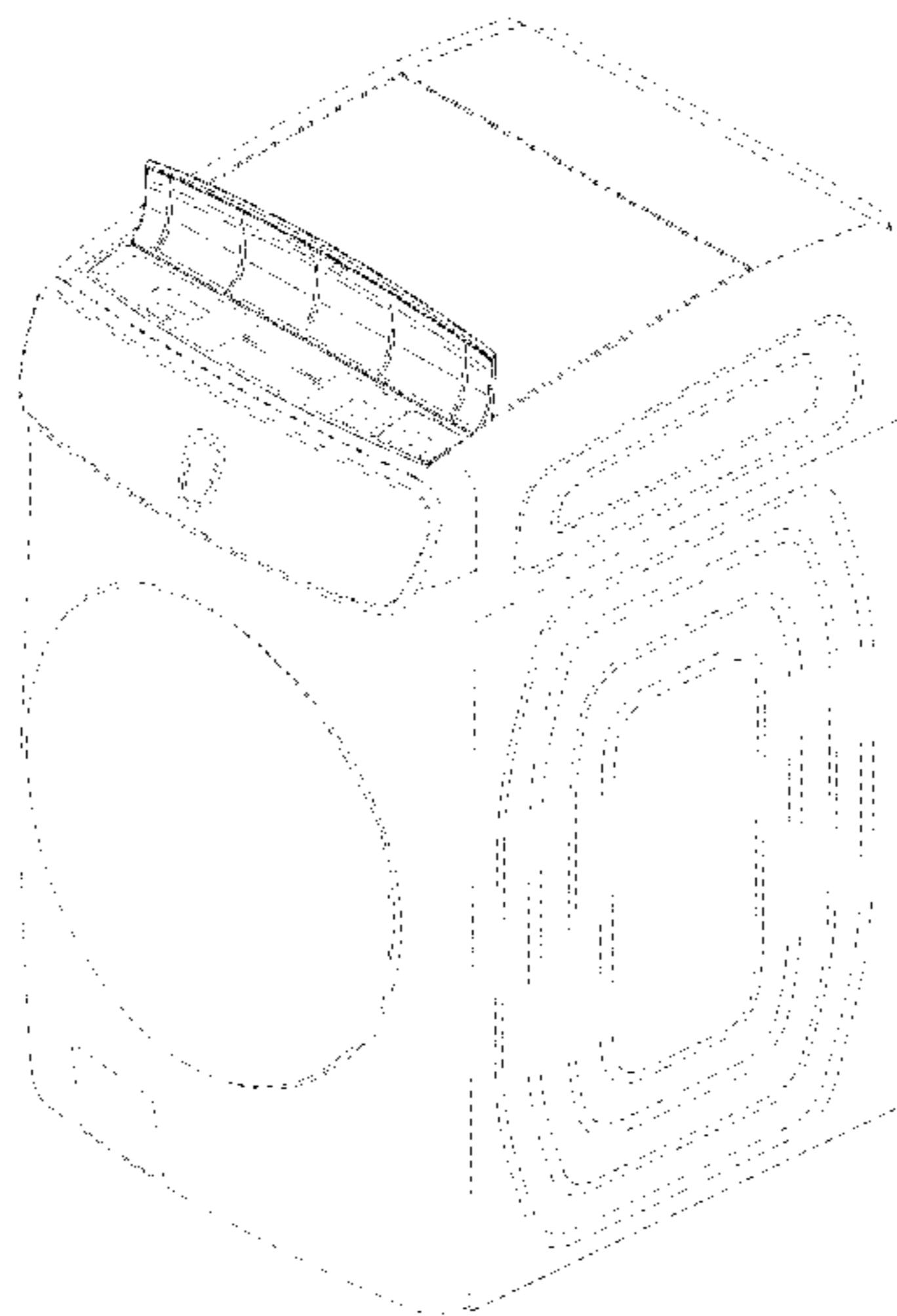
FIG. 5 is a right-side view thereof;

FIG. 6 is a top view thereof; and,

FIG. 7 is a bottom view thereof.

The broken lines illustrating portions of the washing machine form no part of the claimed design.

1 Claim, 7 Drawing Sheets



(56)

References Cited

U.S. PATENT DOCUMENTS

D624,255 S	9/2010	Ha		D787,764 S	5/2017	Kim et al.	
D629,168 S	12/2010	Park et al.		D788,389 S	5/2017	Kim et al.	
D658,343 S *	4/2012	Jeon	D32/29.1	D788,390 S	5/2017	Kim et al.	
D683,505 S *	5/2013	Chung	D32/29.1	D788,391 S *	5/2017	Kim	D32/29.1
D697,681 S *	1/2014	Chung	D32/29.1	D789,631 S	6/2017	Kim et al.	
D699,409 S *	2/2014	Cho	D32/29.1	D794,886 S *	8/2017	Kim	D32/29.1
D754,407 S	4/2016	Chung et al.		D794,887 S *	8/2017	Kim	D32/29.1
D755,458 S	5/2016	Jeon et al.		D797,388 S	9/2017	Kim et al.	
D765,323 S	8/2016	Choi et al.		D797,389 S *	9/2017	Kim	D32/29.1
D767,837 S	9/2016	Chee		D800,402 S *	10/2017	Ha	D32/29.1
D772,508 S	11/2016	Burrell et al.		D809,724 S *	2/2018	Yoon	D32/29.1
D772,509 S *	11/2016	Ha	D32/29.1	D811,029 S	2/2018	Yoon et al.	
D773,132 S	11/2016	Ha et al.		D828,661 S *	9/2018	Joo	D32/29.1
D773,133 S	11/2016	Ha et al.		D830,021 S *	10/2018	Joo	D32/29.1
D775,771 S	1/2017	Kim		D831,285 S *	10/2018	Kim	D32/29.1
D784,637 S	4/2017	Kim et al.		2004/0025263 A1	2/2004	Kim et al.	
D787,763 S	5/2017	Kim et al.		2006/0059958 A1	3/2006	Byrne et al.	
				2010/0095712 A1	4/2010	Kim	
				2015/0252514 A1	9/2015	Seo et al.	

* cited by examiner

FIG. 1

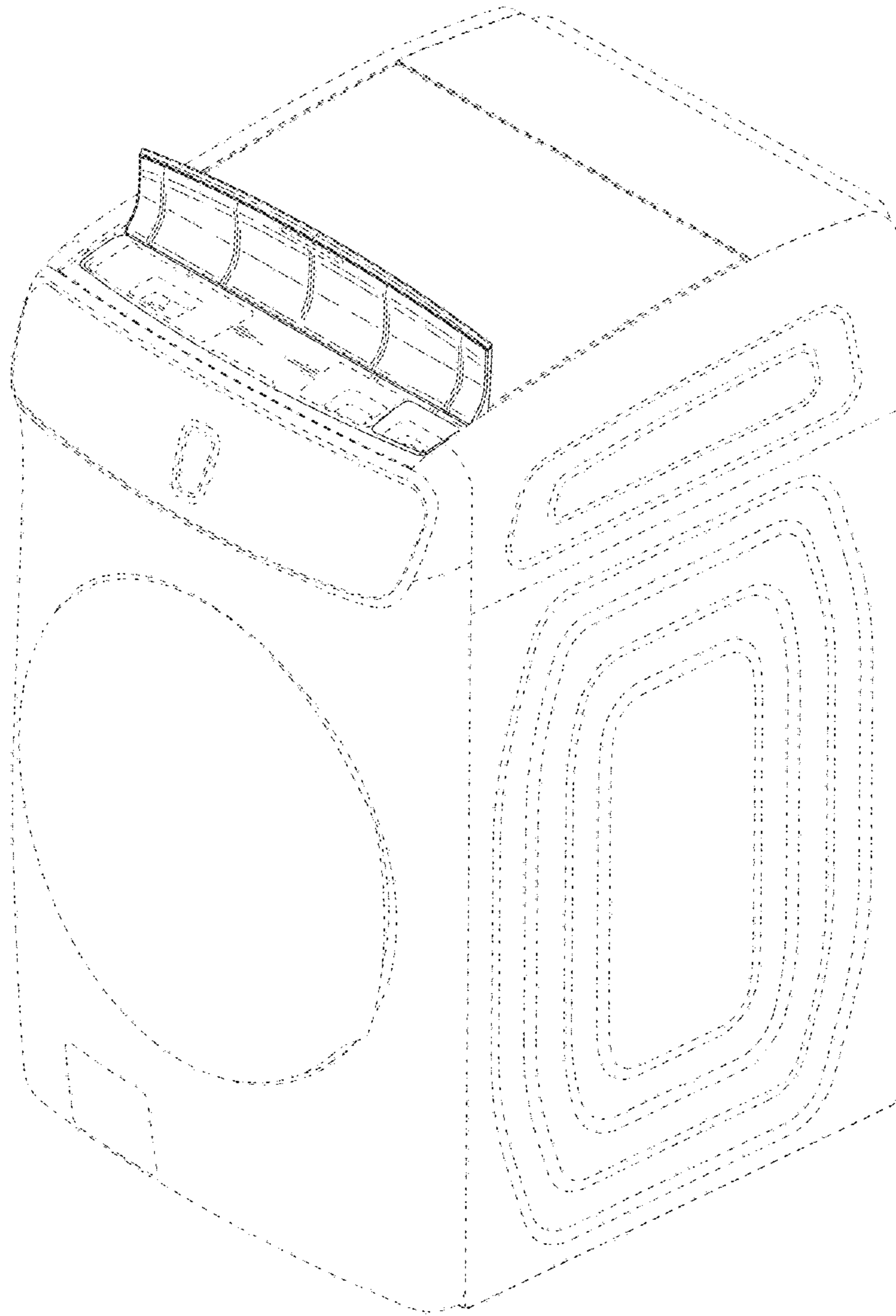


FIG. 2

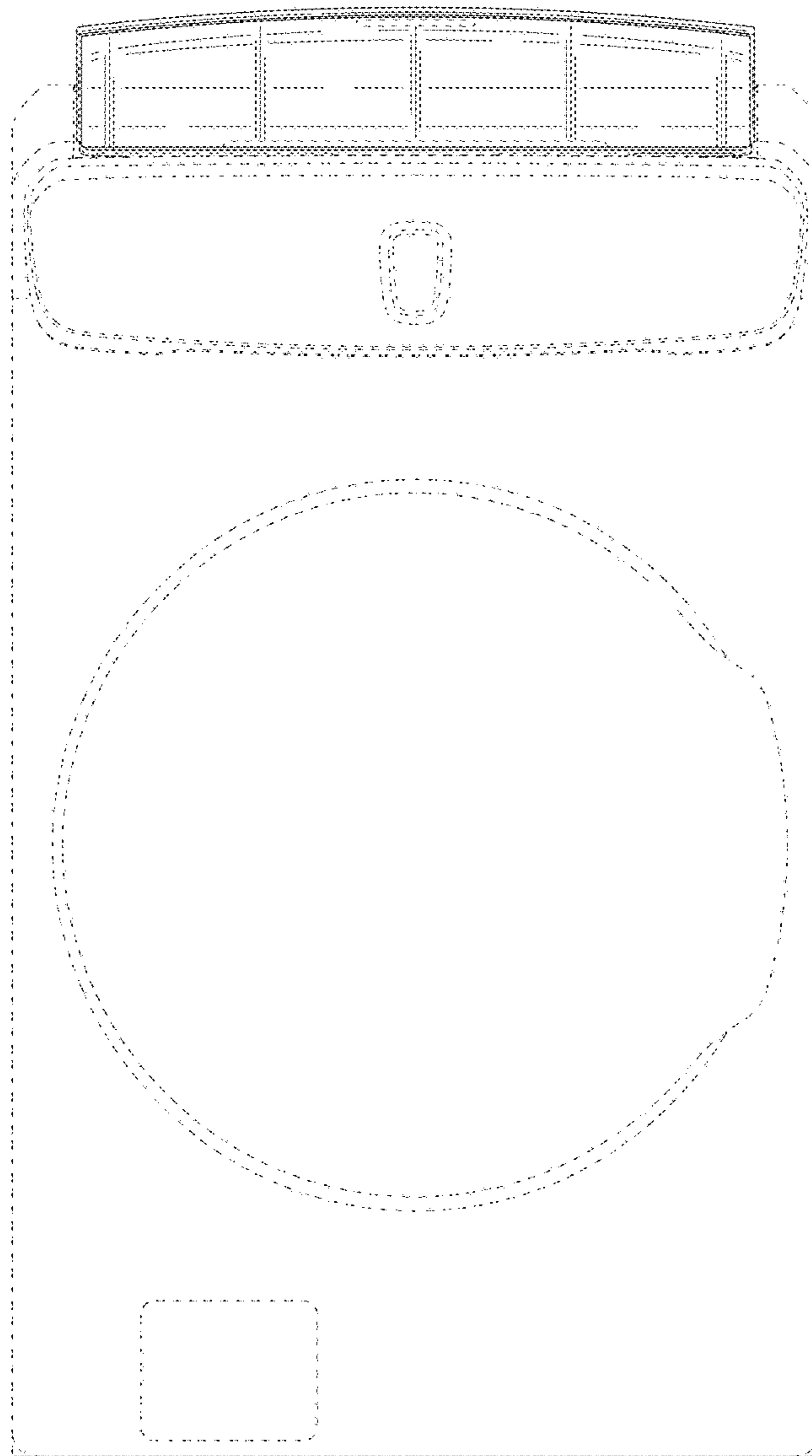


FIG. 3

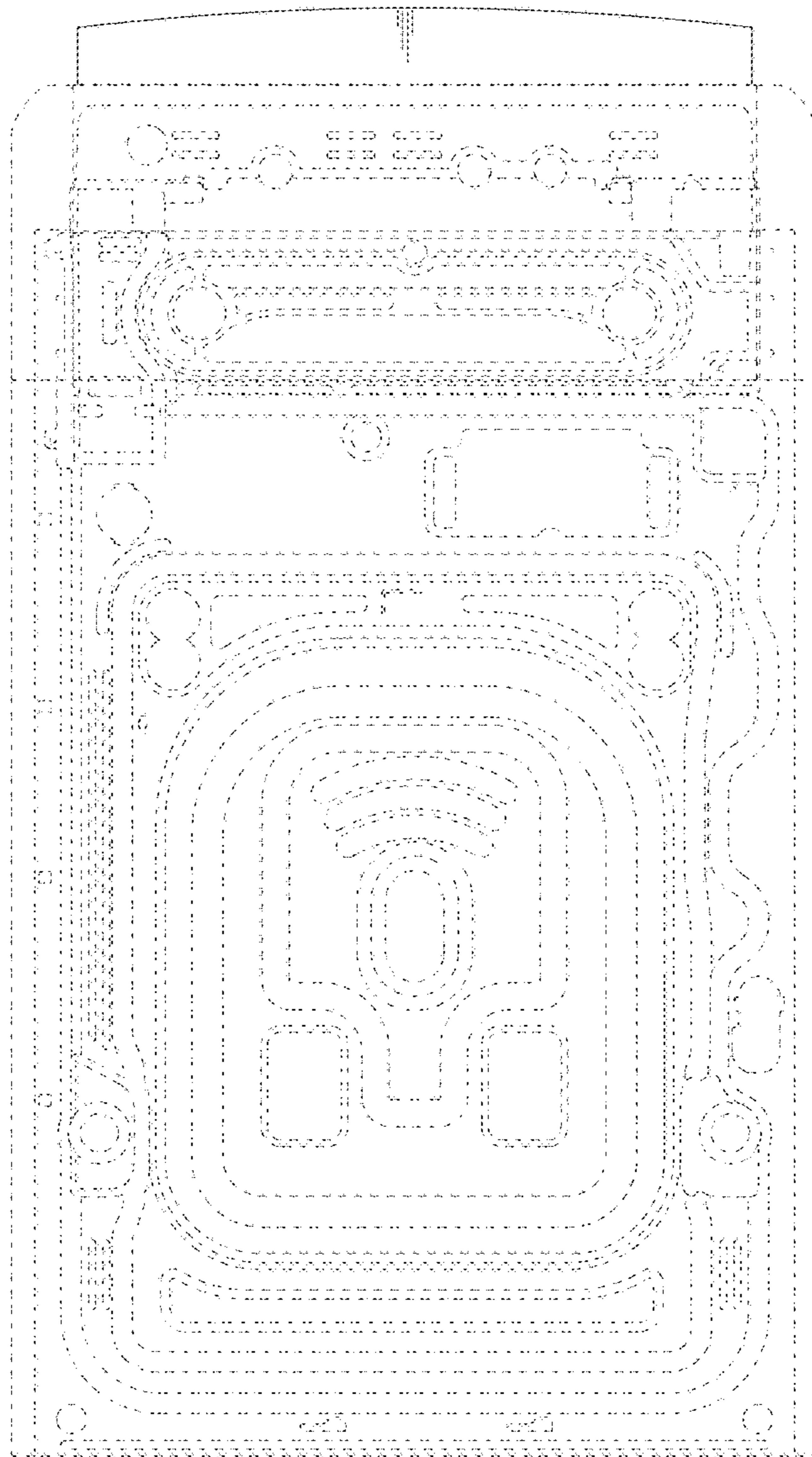


FIG. 4

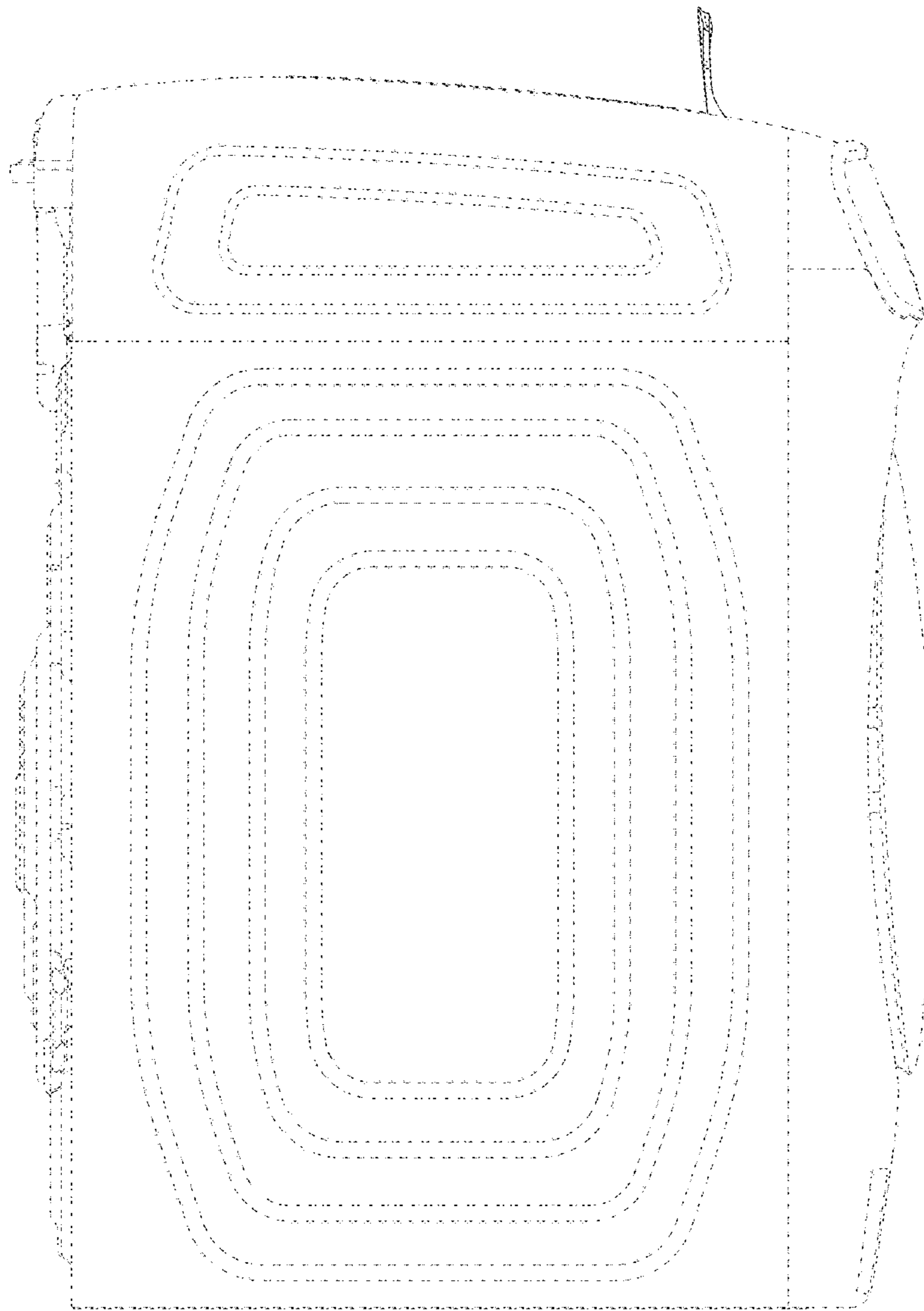


FIG. 5

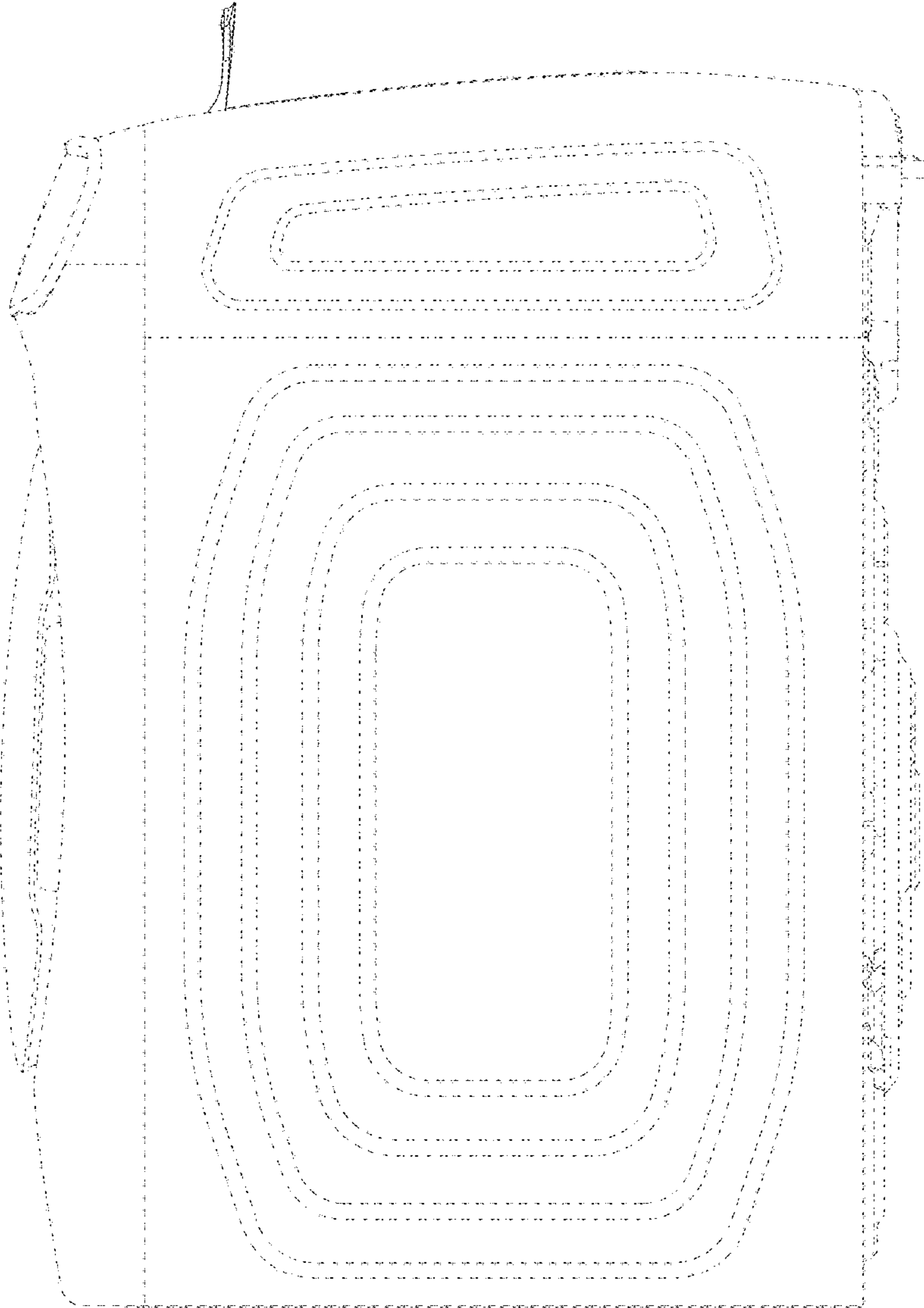


FIG. 6

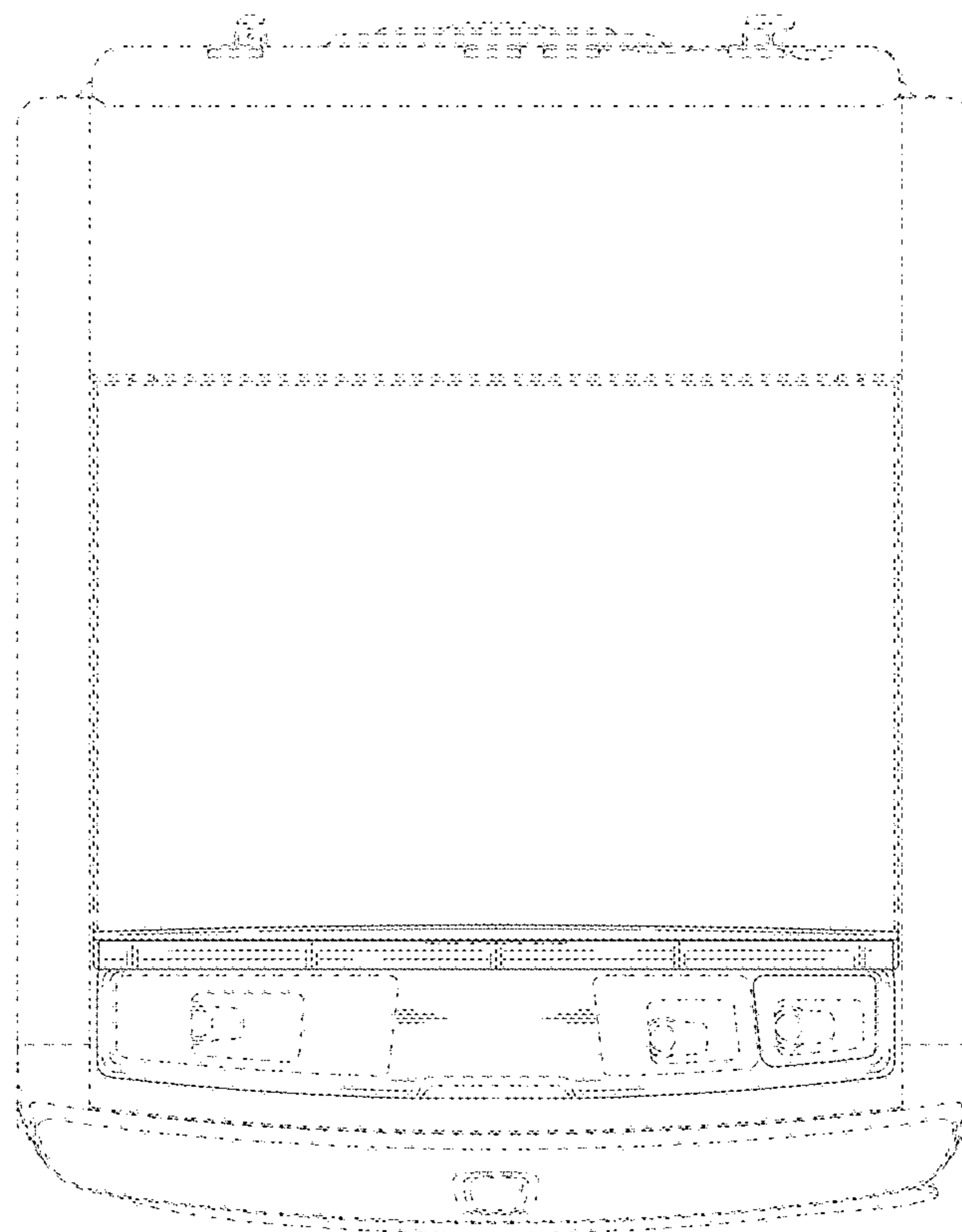


FIG. 7

