



US00D857316S

(12) **United States Design Patent**
Kubasiak

(10) **Patent No.:** **US D857,316 S**
(45) **Date of Patent:** **** Aug. 20, 2019**

(54) **WASHING MACHINE**

(71) Applicant: **WHIRLPOOL CORPORATION**,
Benton Harbor, MI (US)

(72) Inventor: **Andrew C. Kubasiak**, St. Joseph, MI
(US)

(73) Assignee: **Whirlpool Corporation**, Benton
Harbor, MI (US)

(**) Term: **15 Years**

(21) Appl. No.: **29/593,905**

(22) Filed: **Feb. 14, 2017**

(51) **LOC (12) Cl.** **15-05**

(52) **U.S. Cl.**
USPC **D32/29.1**

(58) **Field of Classification Search**
USPC D32/1, 5-6, 8, 25, 28, 29.1

(Continued)

(56) **References Cited**

U.S. PATENT DOCUMENTS

D683,505 S * 5/2013 Chung D32/29.1
D697,681 S * 1/2014 Chung D32/29.1

(Continued)

Primary Examiner — Michelle E. Wilson

(74) *Attorney, Agent, or Firm* — Price Heneveld LLP

(57) **CLAIM**

The ornamental design for a washing machine, as shown and described.

DESCRIPTION

FIG. 1 is a front-right perspective view of a washing machine according to a first embodiment of my design in a first configuration thereof;

FIG. 2 is a front-left perspective detail view of the claimed portion thereof;

FIG. 3 is a front-right perspective detail view of the claimed portion thereof;

FIG. 4 is a front plan detail view of the claimed portion thereof;

FIG. 5 is a right side elevation view of the claimed portion thereof;

FIG. 6 is a left side elevation view of the claimed portion thereof;

FIG. 7 is a front-right perspective view of the washing machine according to the first embodiment in a second configuration thereof;

FIG. 8 is a front-left perspective detail view of the claimed portion thereof;

FIG. 9 is a front-right perspective view of a washing machine according to a second embodiment of my design;

FIG. 10 is a front-left perspective detail view of the claimed portion thereof;

FIG. 11 is a front-right perspective detail view of the claimed portion thereof;

FIG. 12 is a front plan detail view of the claimed portion thereof;

FIG. 13 is a right side elevation view of the claimed portion thereof;

FIG. 14 is a left side elevation view of the claimed portion thereof;

FIG. 15 is a front-right perspective view of a washing machine according to a third embodiment of my design in a first configuration thereof;

FIG. 16 is a front-left perspective detail view of the claimed portion thereof;

FIG. 17 is a front-right perspective detail view of the claimed portion thereof;

FIG. 18 is a front plan detail view of the claimed portion thereof;

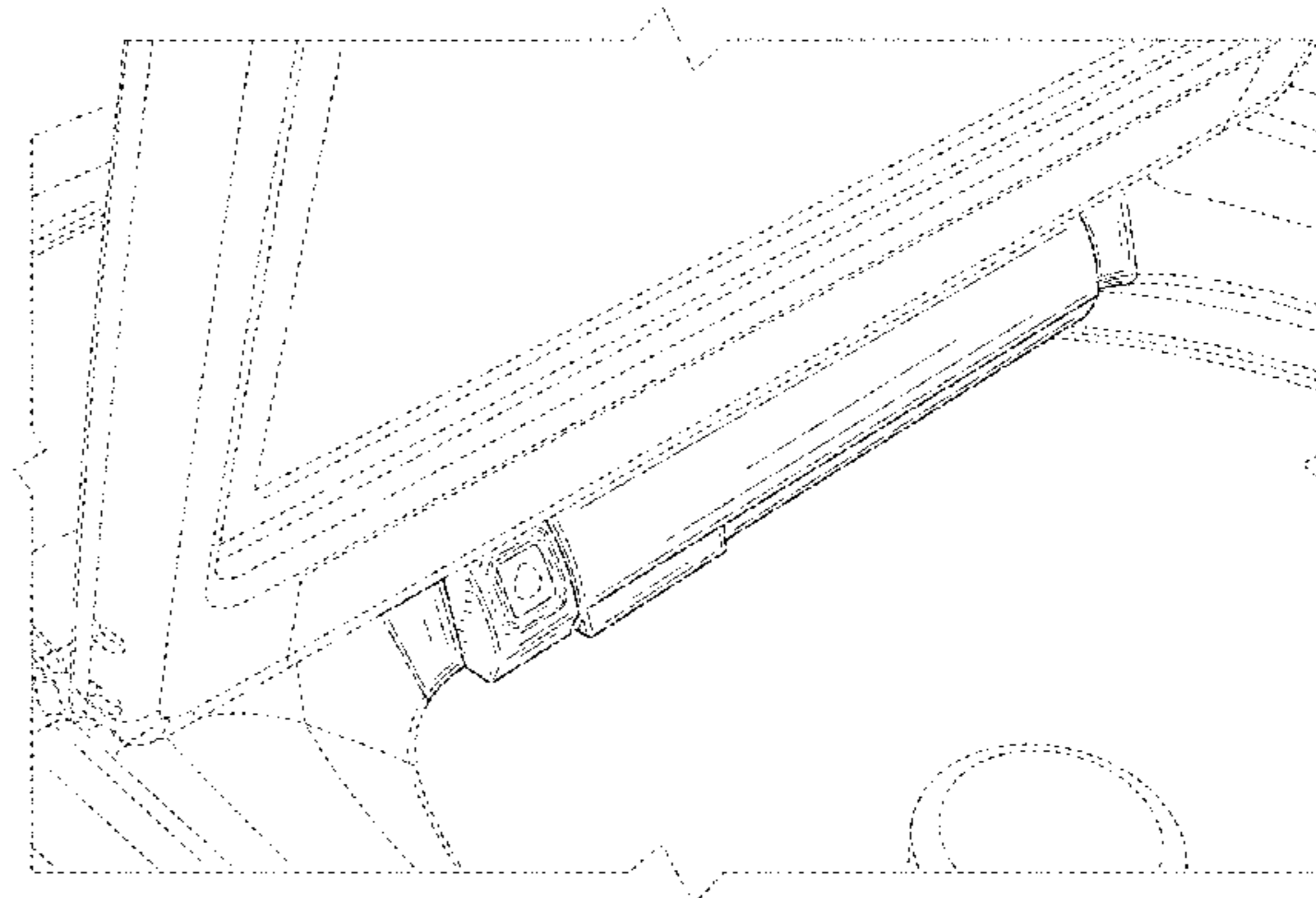
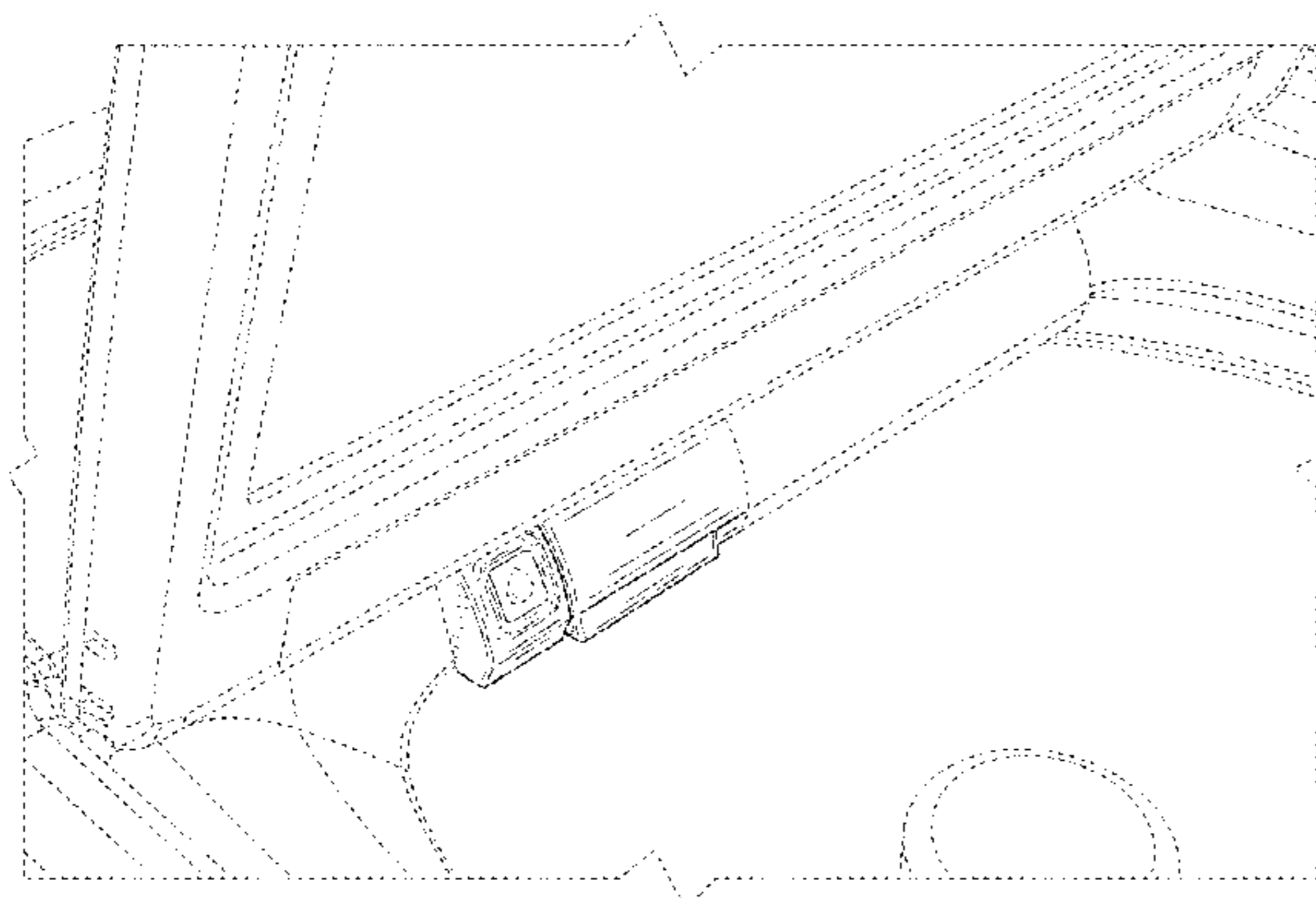
FIG. 19 is a right side elevation view of the claimed portion thereof;

FIG. 20 is a left side elevation view of the claimed portion thereof; and,

FIG. 21 is a front-left perspective view of the claimed portion of washing machine according to the third embodiment of my design in a second configuration thereof.

The broken line showing of various features is for the purpose of illustrating unclaimed portions of the washing machine and forms no part of the claimed design.

(Continued)



Stipple-filled areas represent areas that contrast in color with un-filled areas of the claimed design.

1 Claim, 12 Drawing Sheets

(58) Field of Classification Search

CPC D06F 33/02; D06F 39/02; D06F 2204/065;
D06F 25/00; D06F 35/006; D06F 39/028;
D06F 39/08; D06F 39/022; D06F
2204/02; D06F 2202/085; A47L 15/4409;
A47L 15/4418; A01J 7/022; A47K
5/1214; B67C 11/02; B65D 88/68

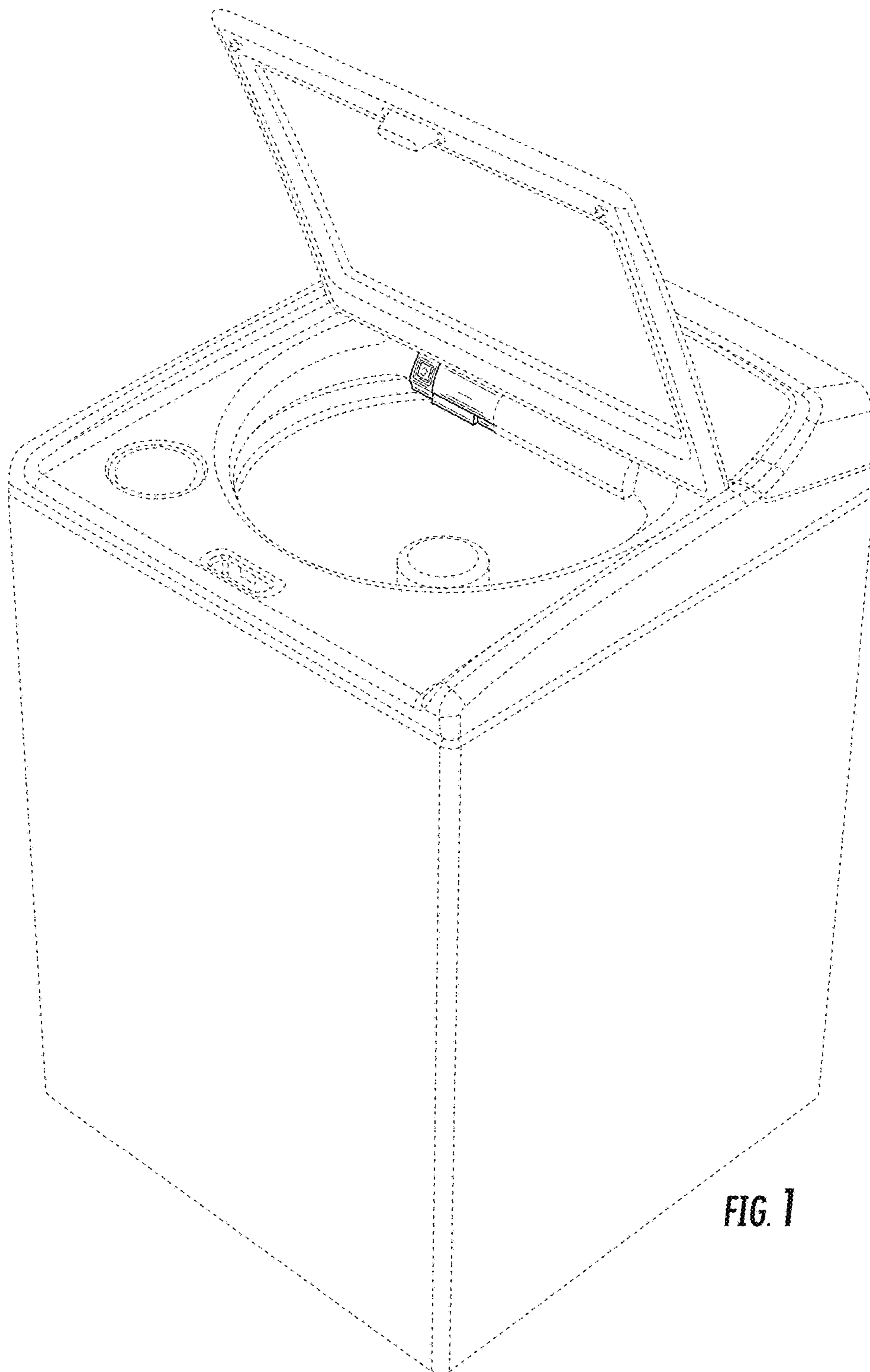
See application file for complete search history.

(56) References Cited

U.S. PATENT DOCUMENTS

D772,509	S	*	11/2016	Ha	D32/29.1
D788,391	S	*	5/2017	Kim	D32/29.1
D794,886	S	*	8/2017	Kim	D32/29.1
D794,887	S	*	8/2017	Kim	D32/29.1
D797,389	S	*	9/2017	Kim	D32/29.1
D800,402	S	*	10/2017	Ha	D32/29.1
D809,724	S	*	2/2018	Yoon	D32/29.1
D828,661	S	*	9/2018	Joo	D32/29.1
D830,021	S	*	10/2018	Joo	D32/29.1
D831,285	S	*	10/2018	Kim	D32/29.1

* cited by examiner



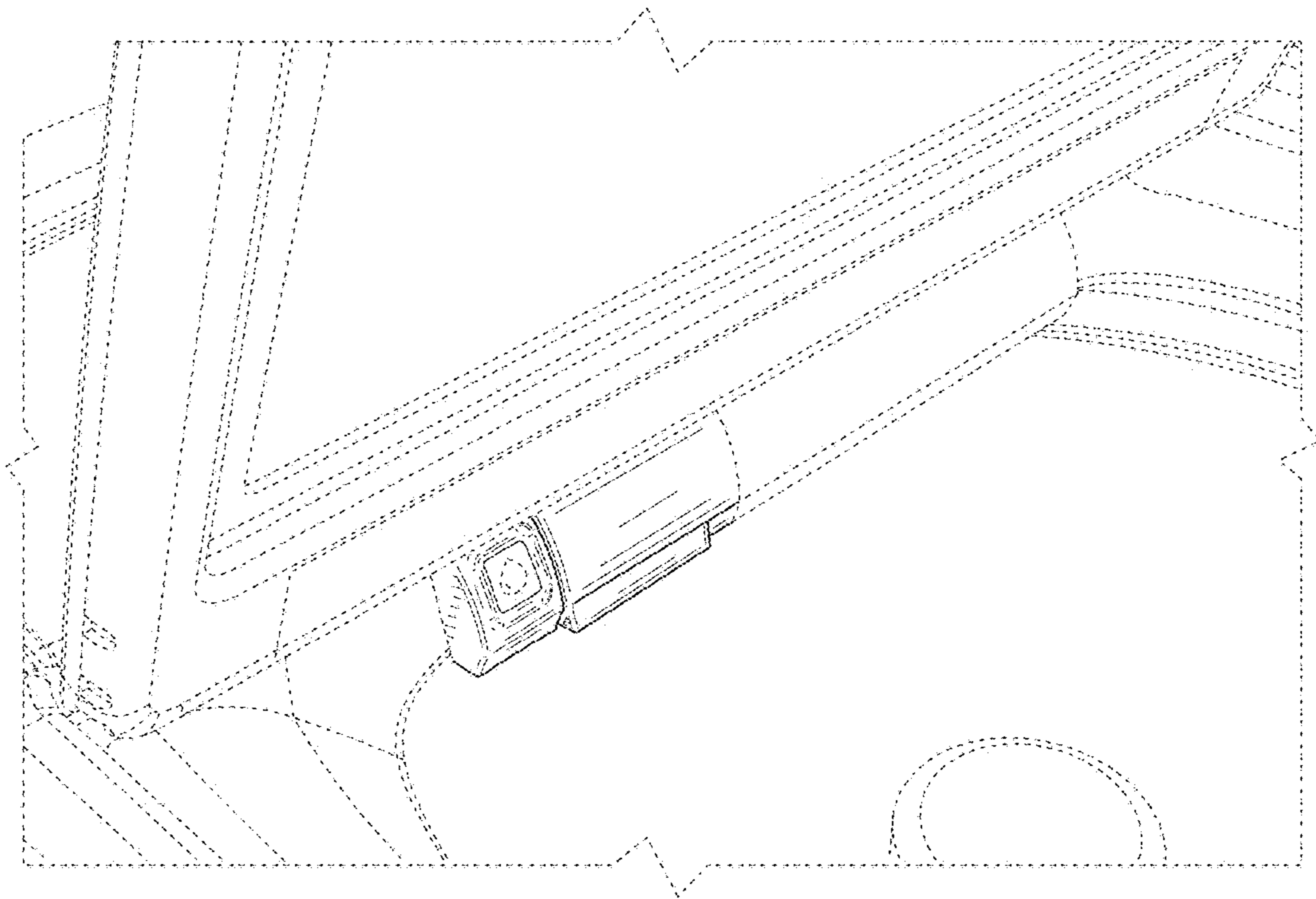


FIG. 2

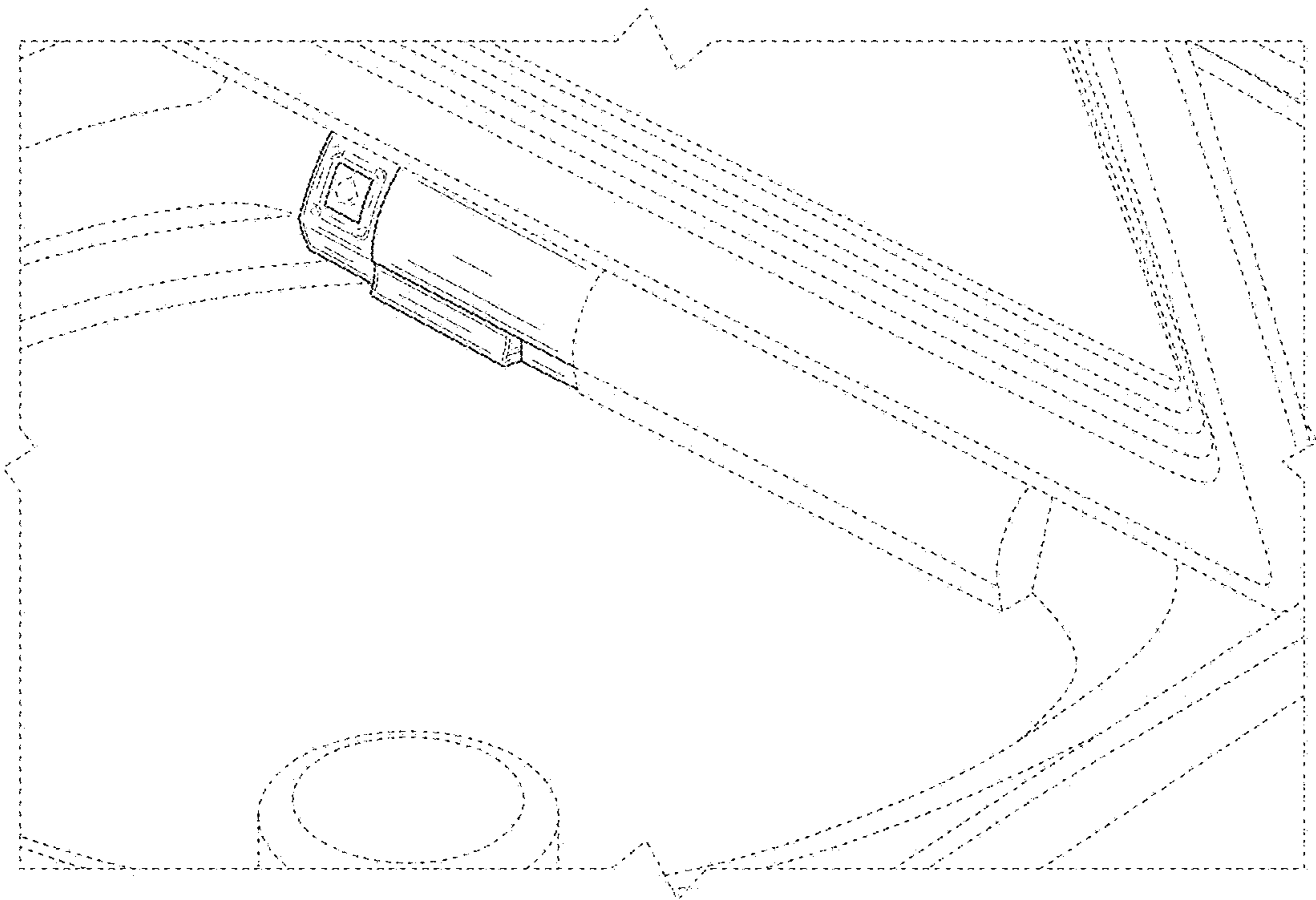


FIG. 3

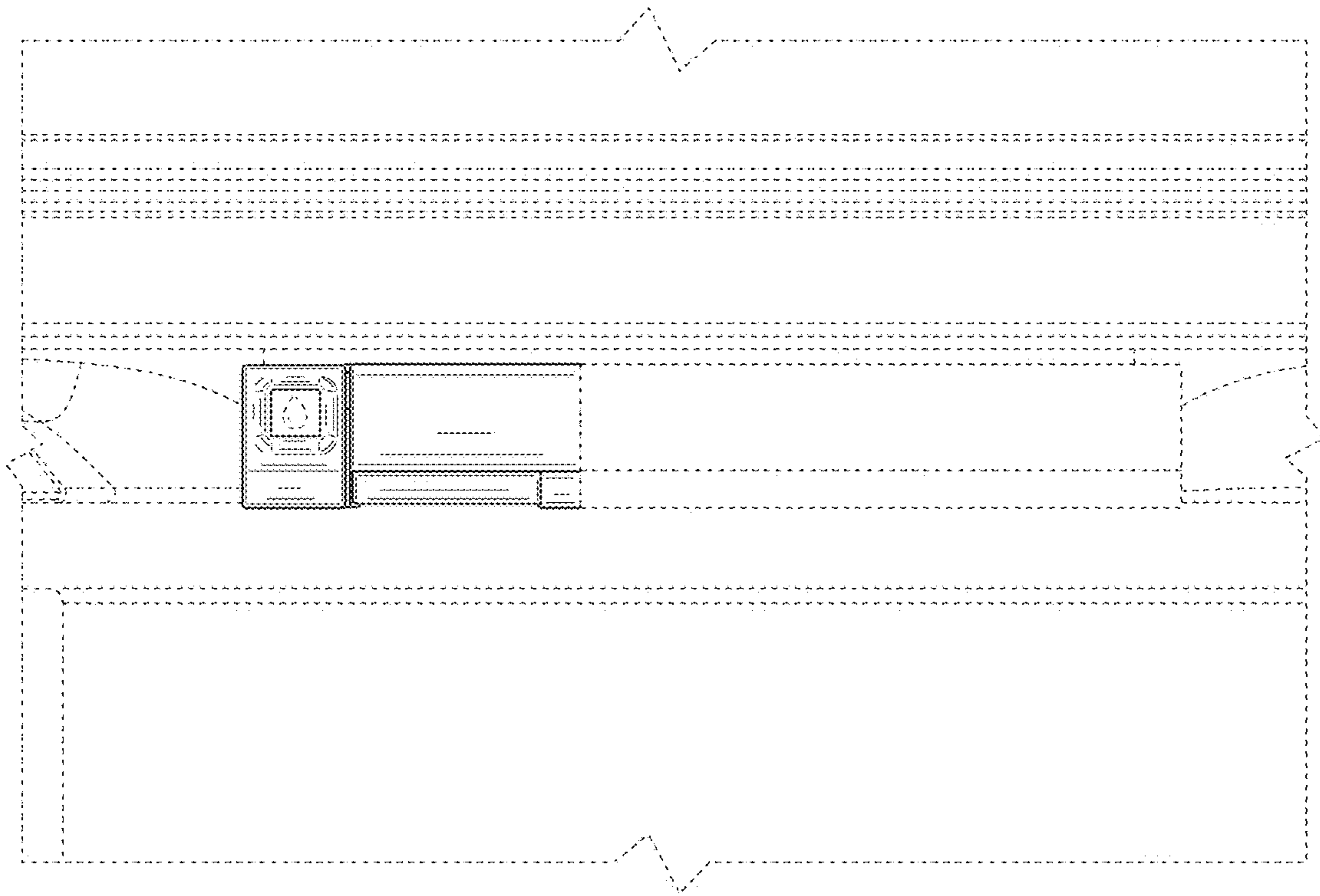


FIG. 4

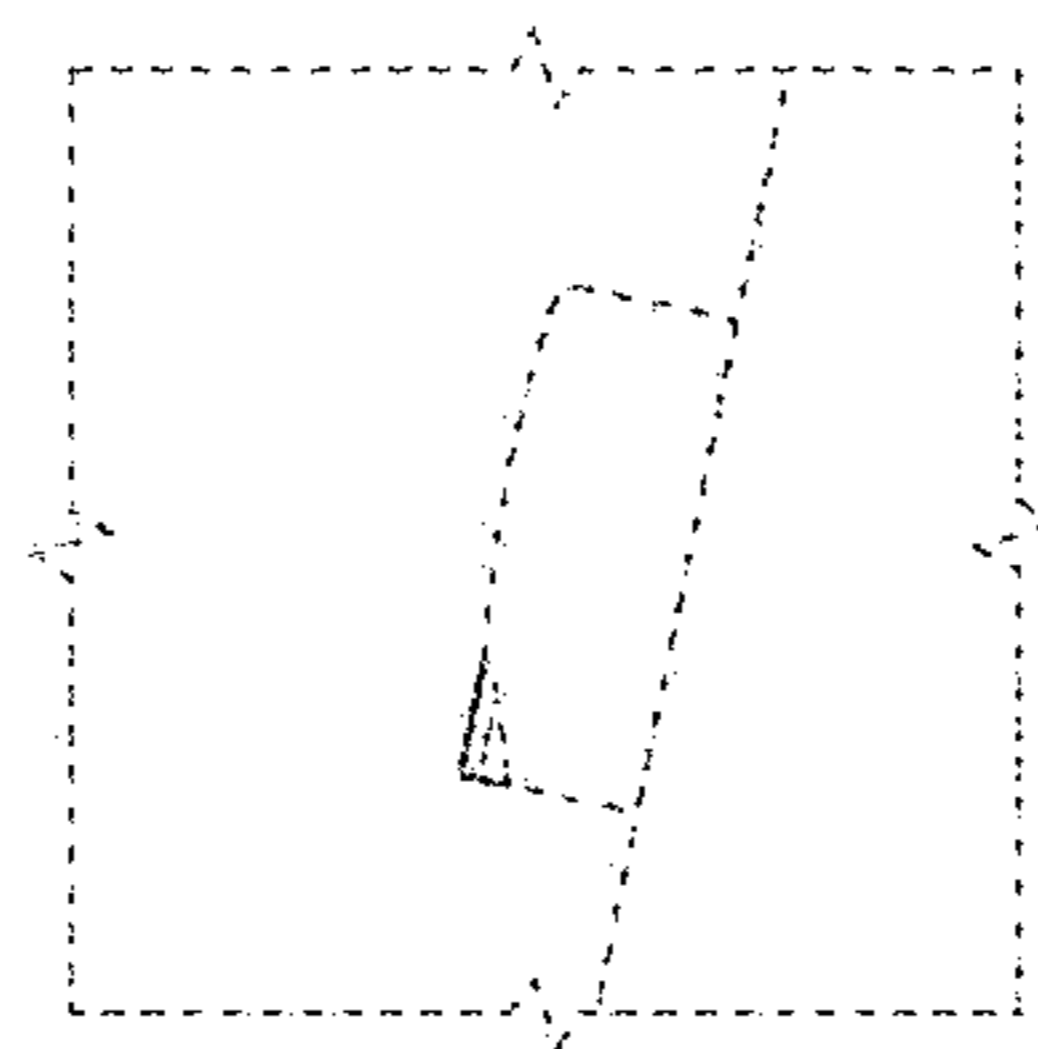


FIG. 5

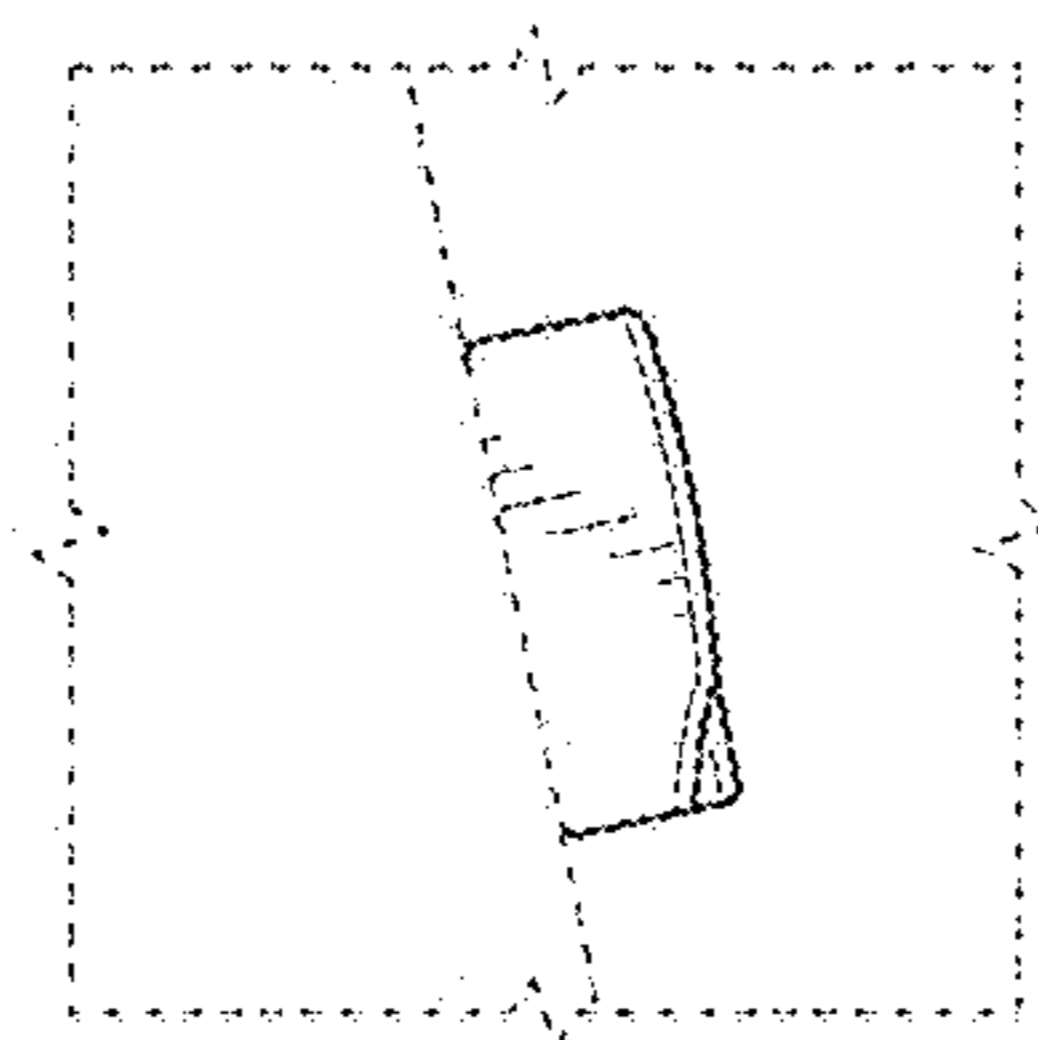


FIG. 6

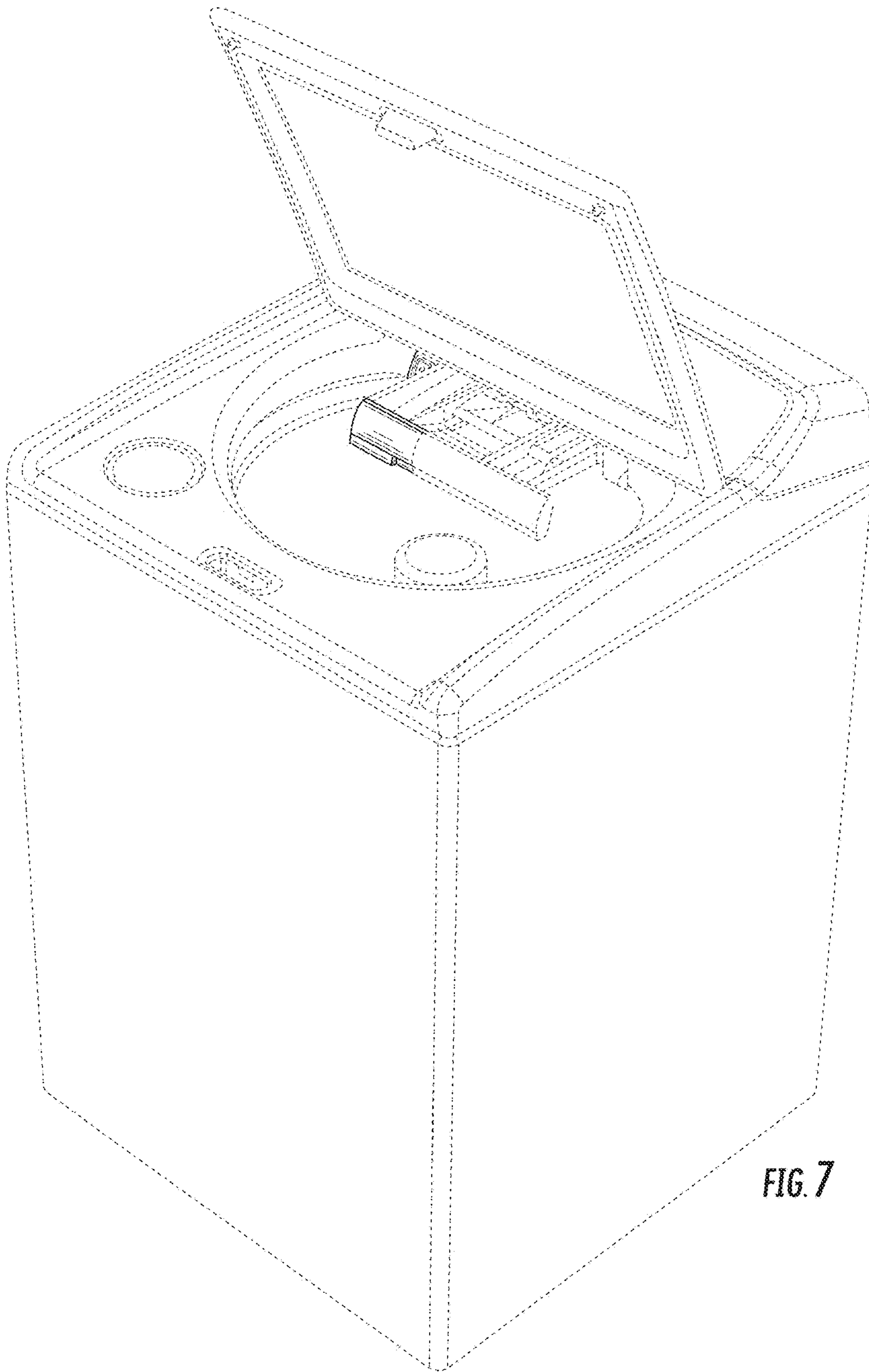


FIG. 7

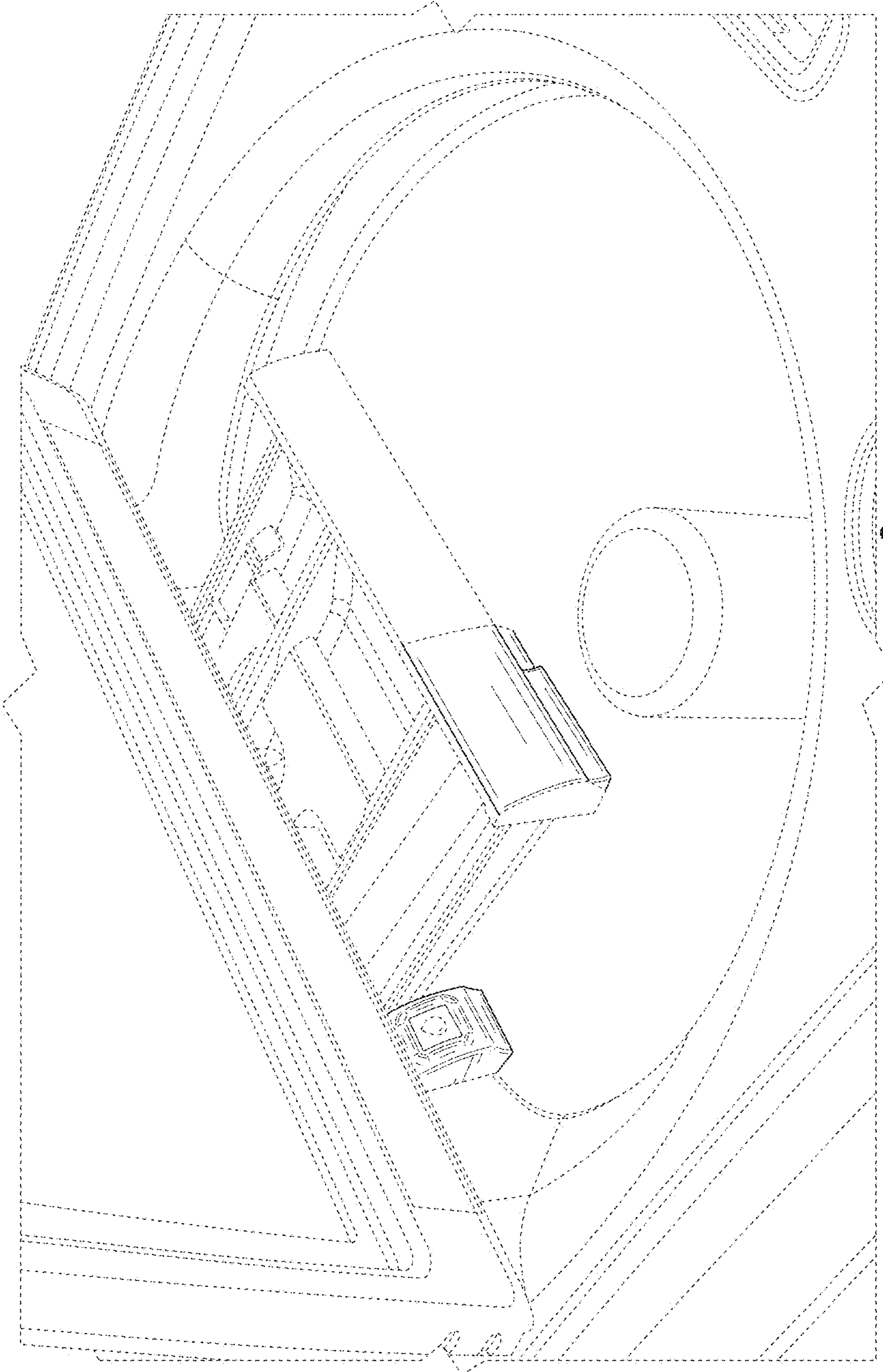


FIG. 8

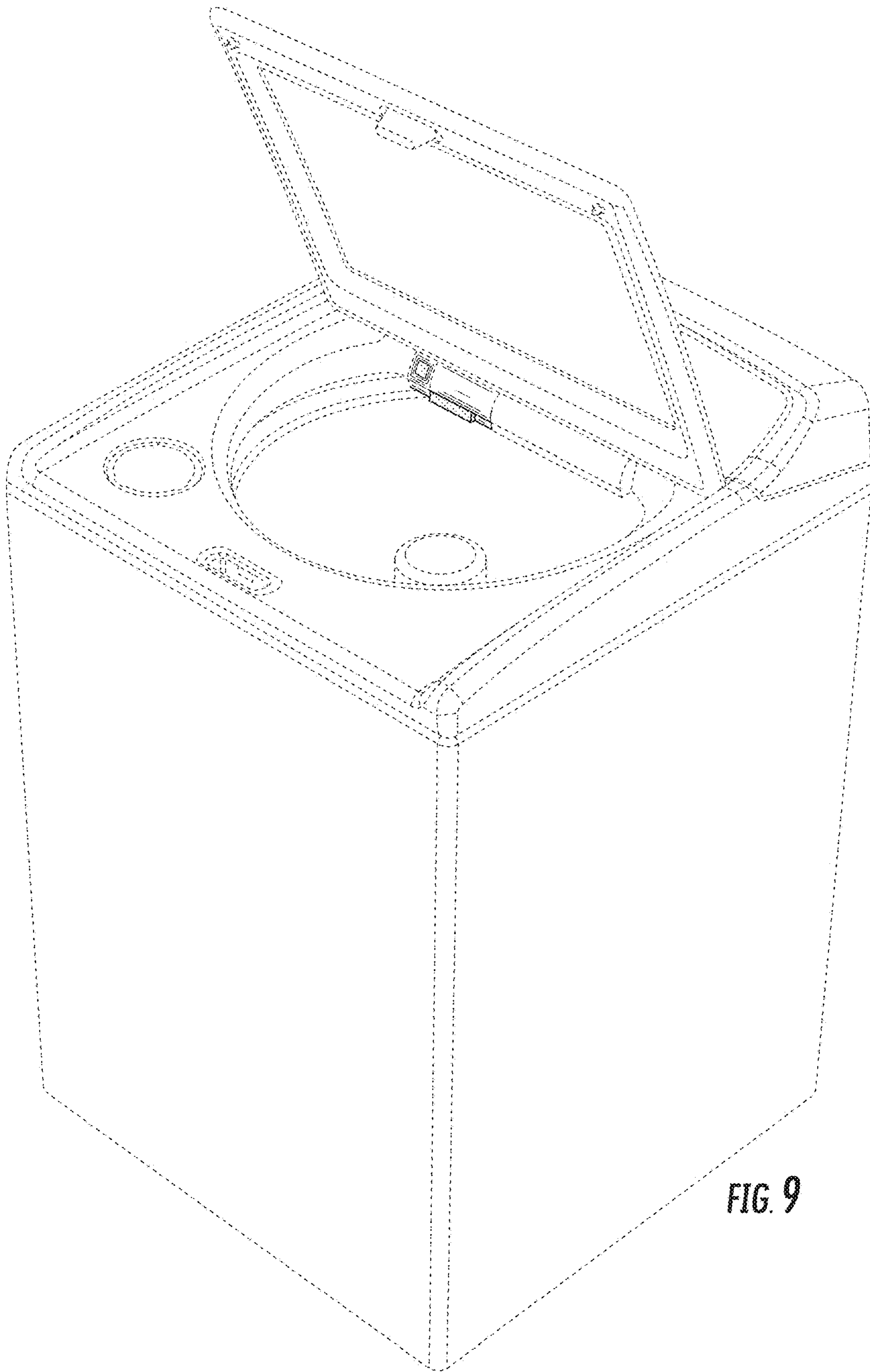


FIG. 9

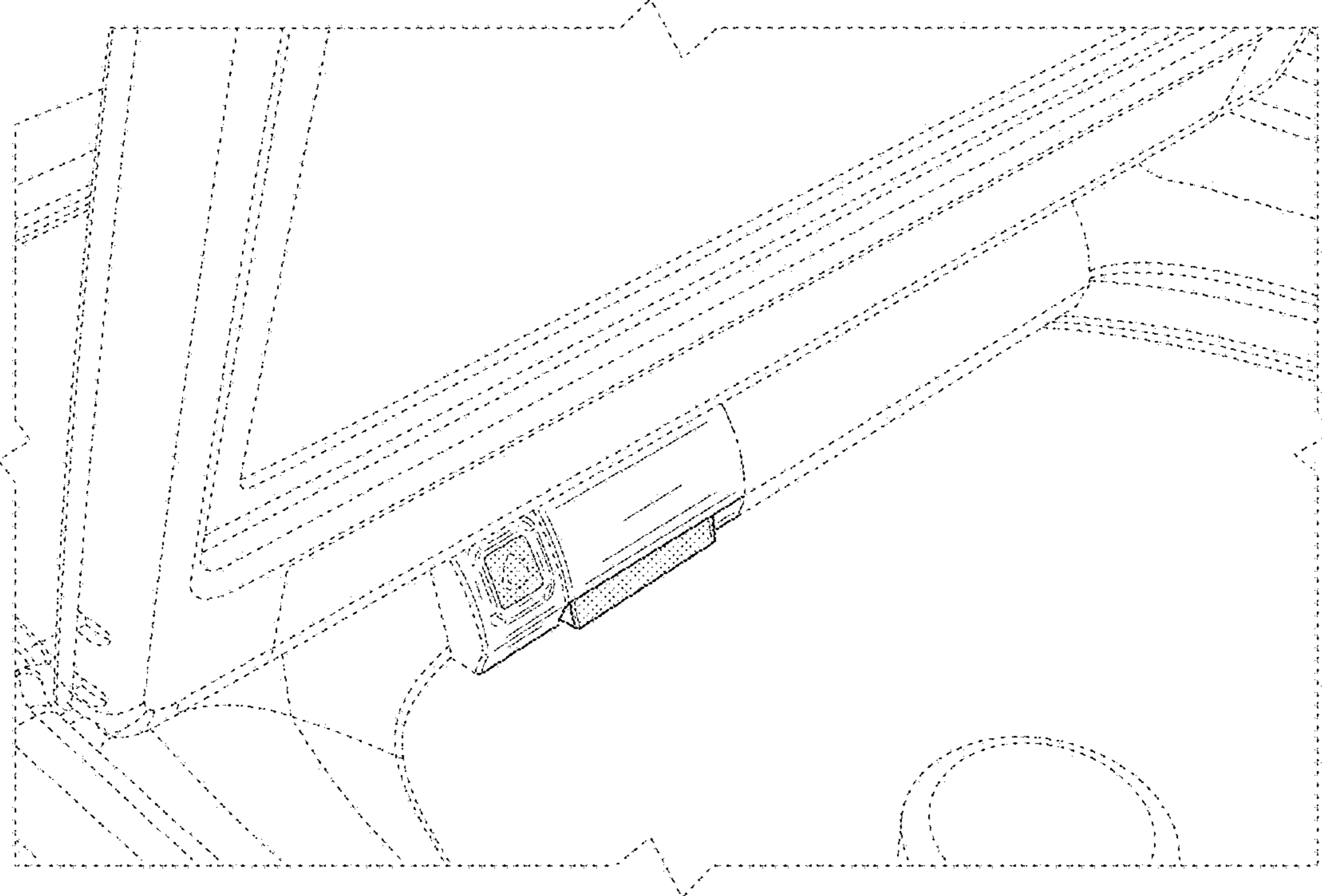


FIG. 10

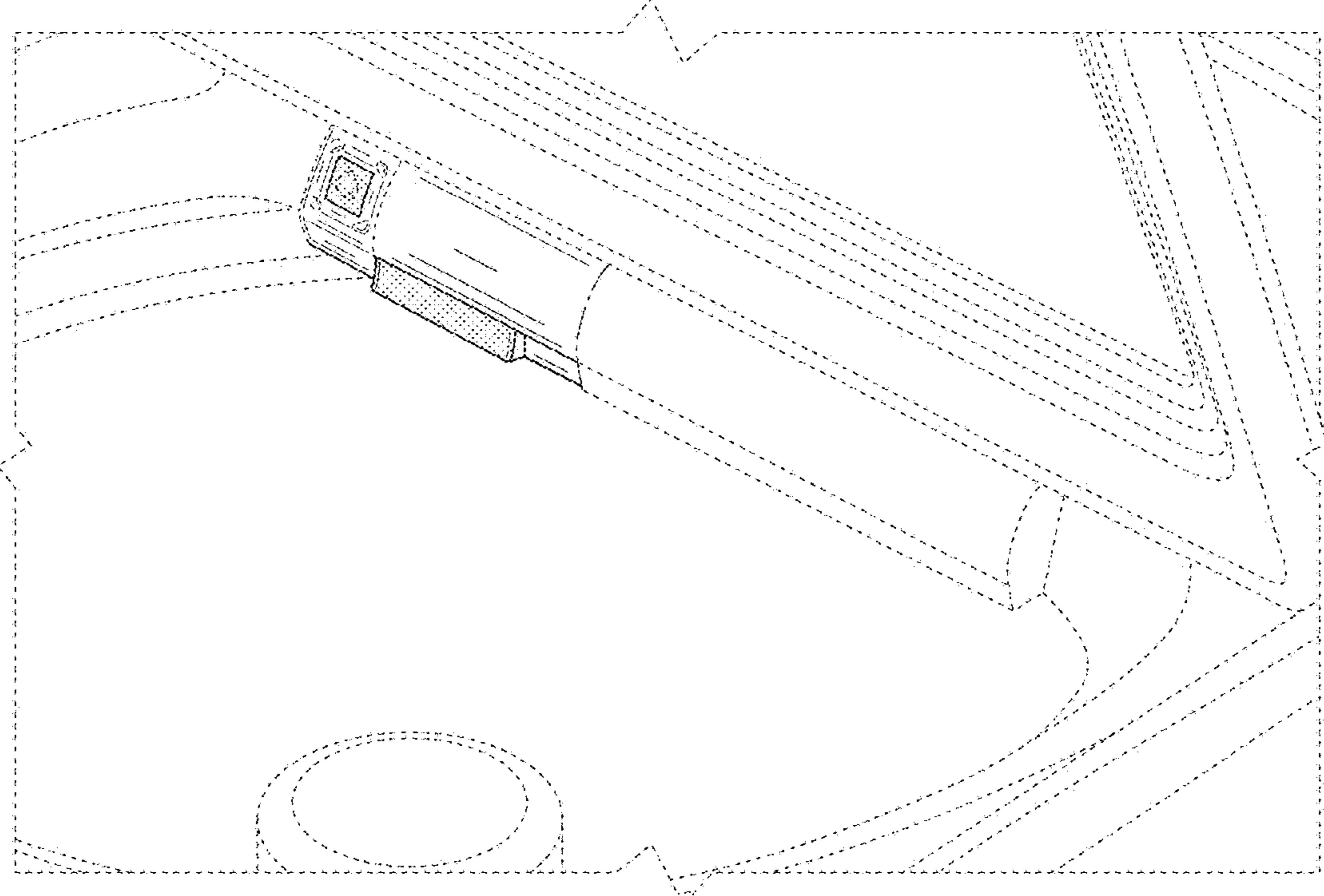


FIG. 11

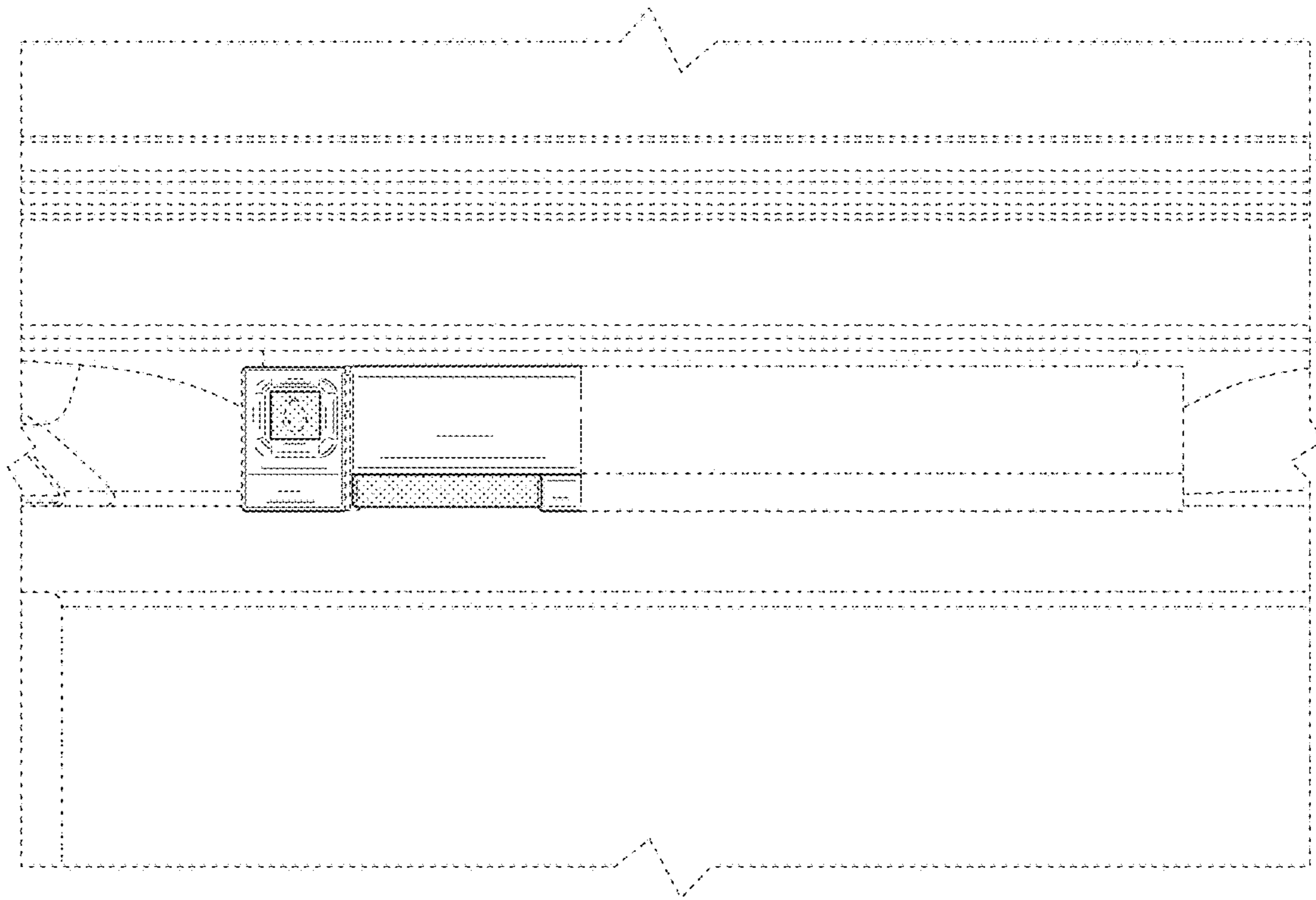


FIG. 12

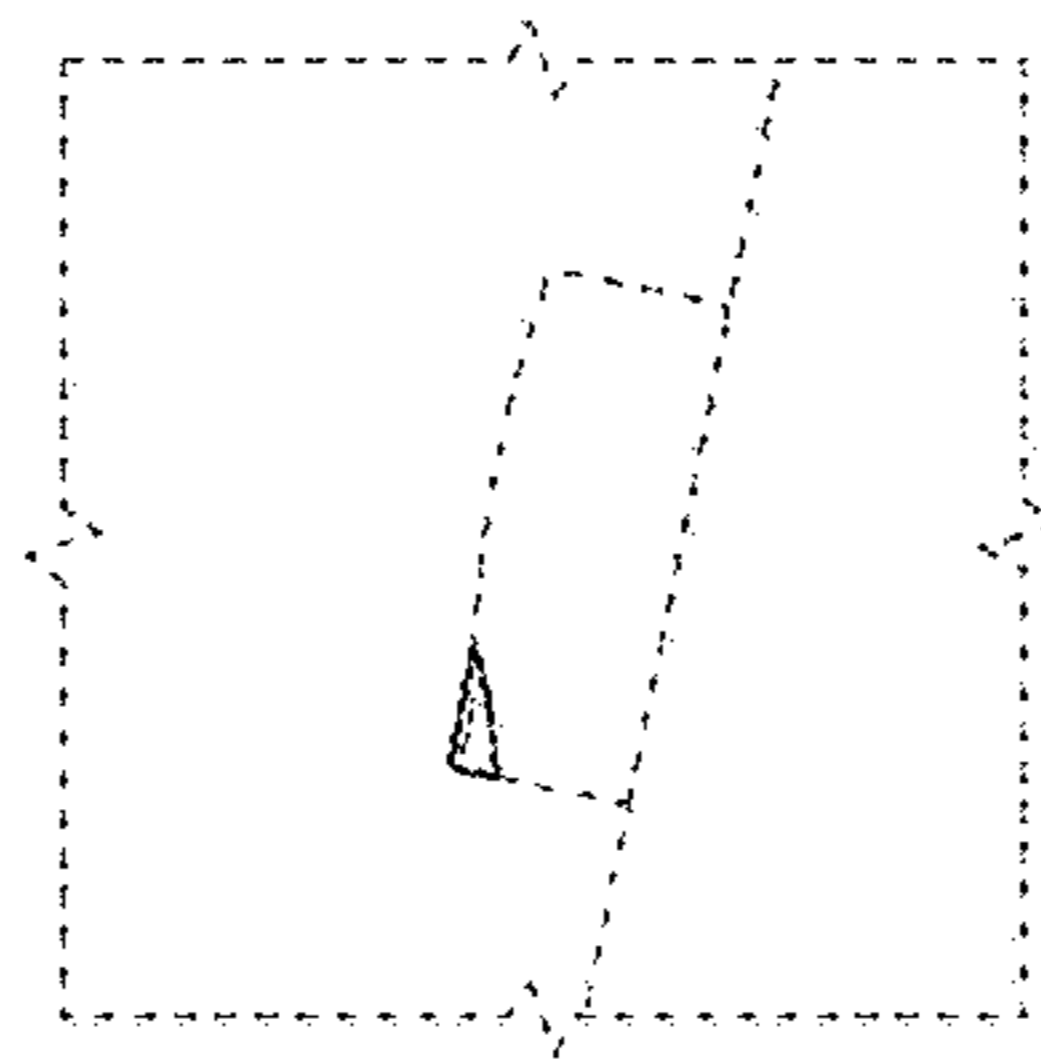


FIG. 13

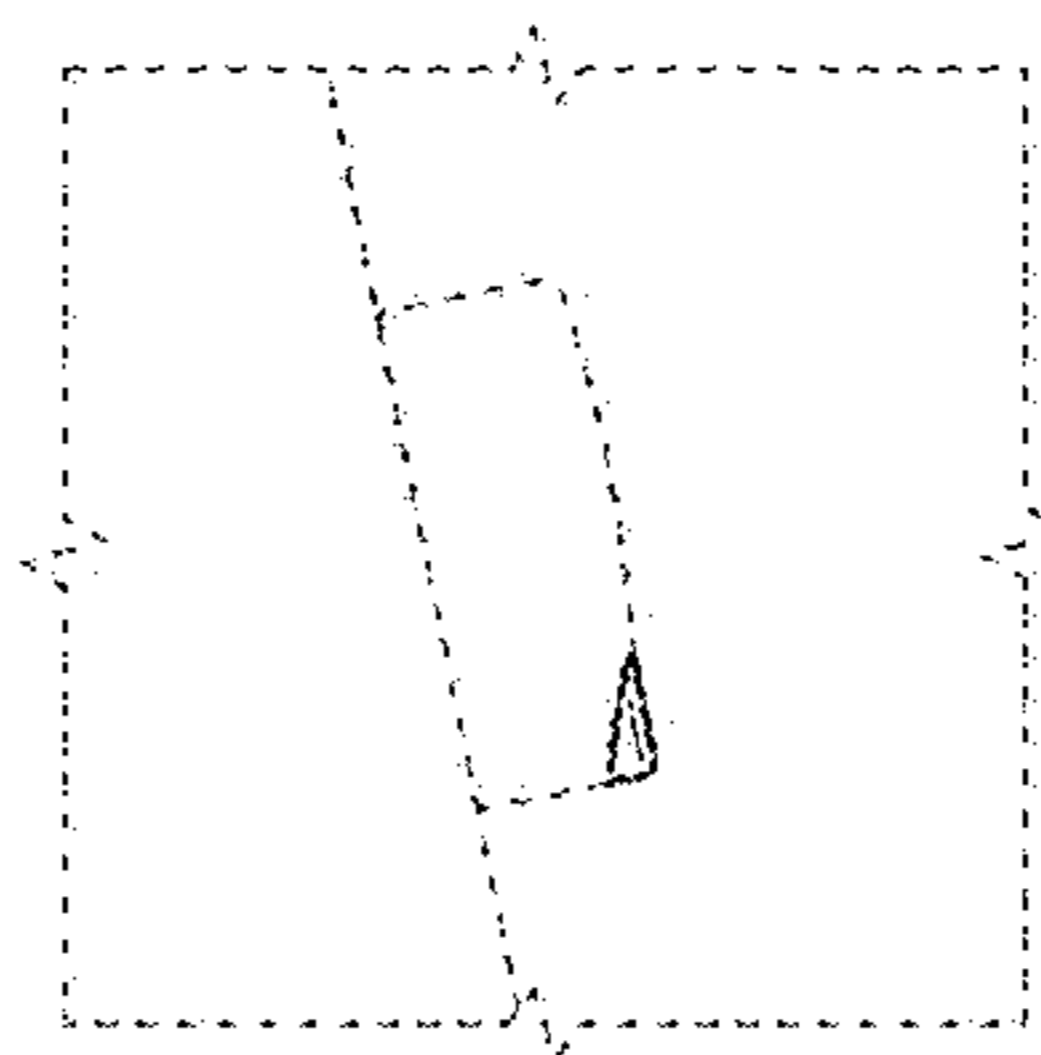


FIG. 14

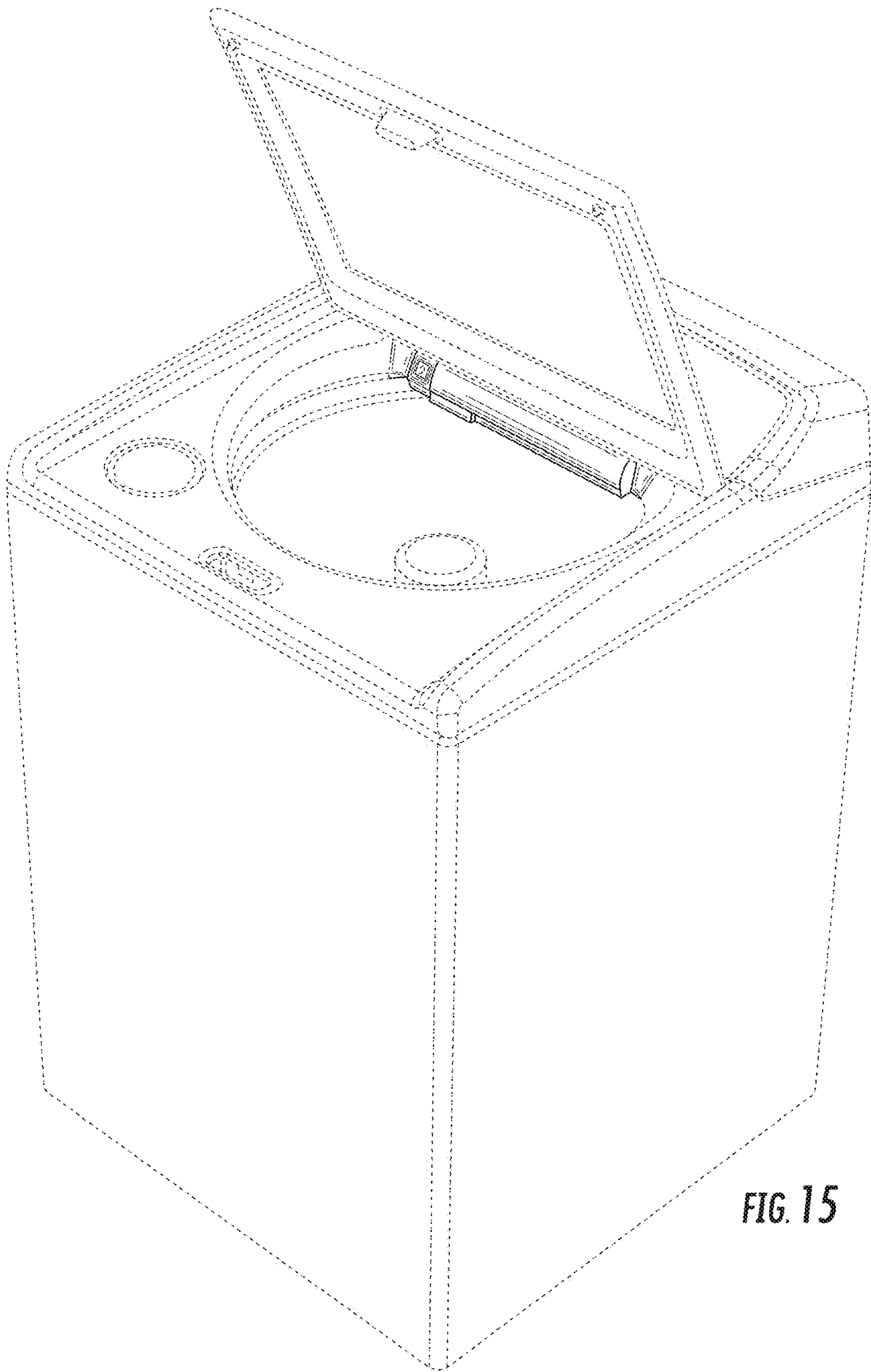


FIG. 15

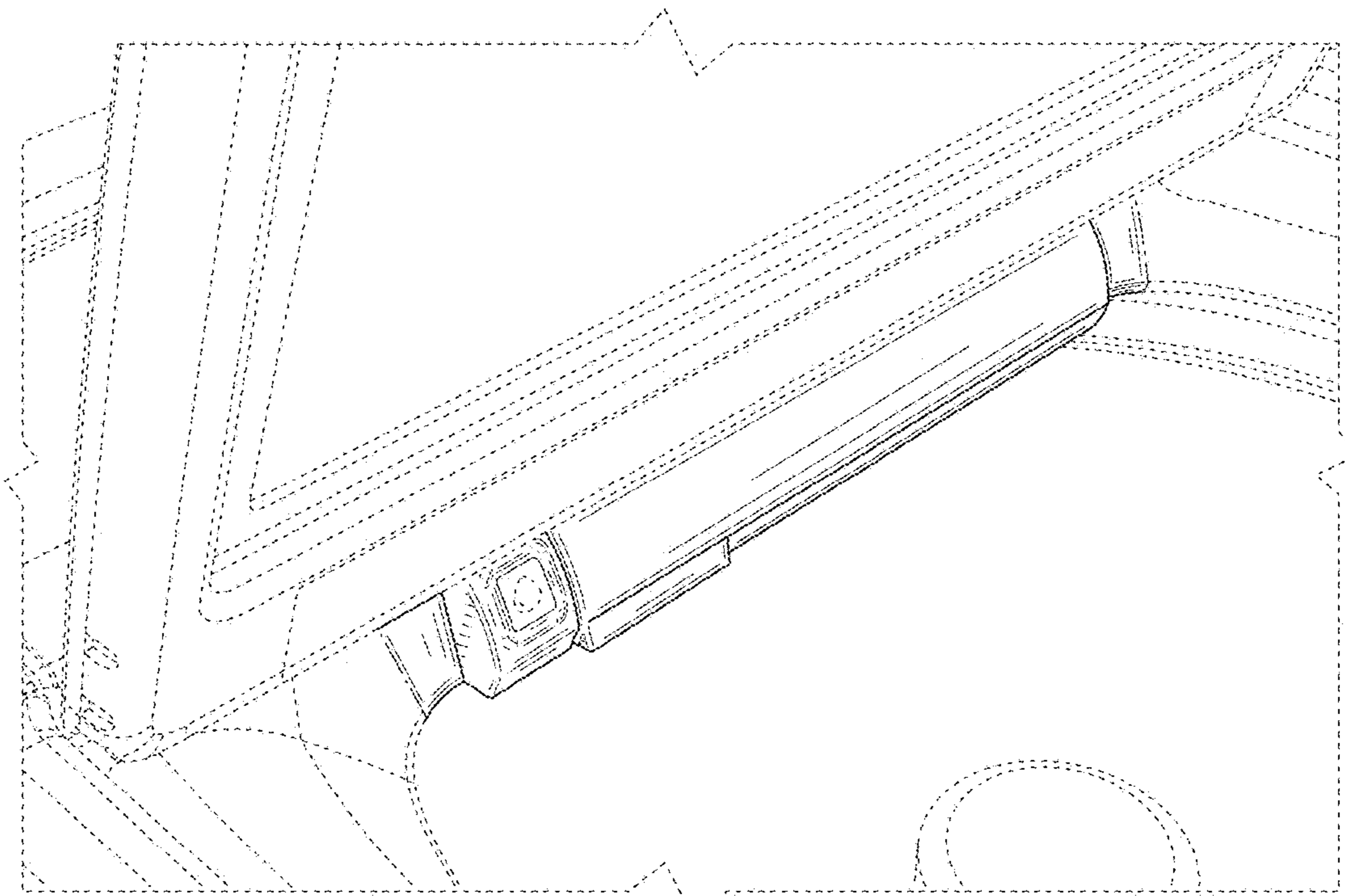


FIG. 16

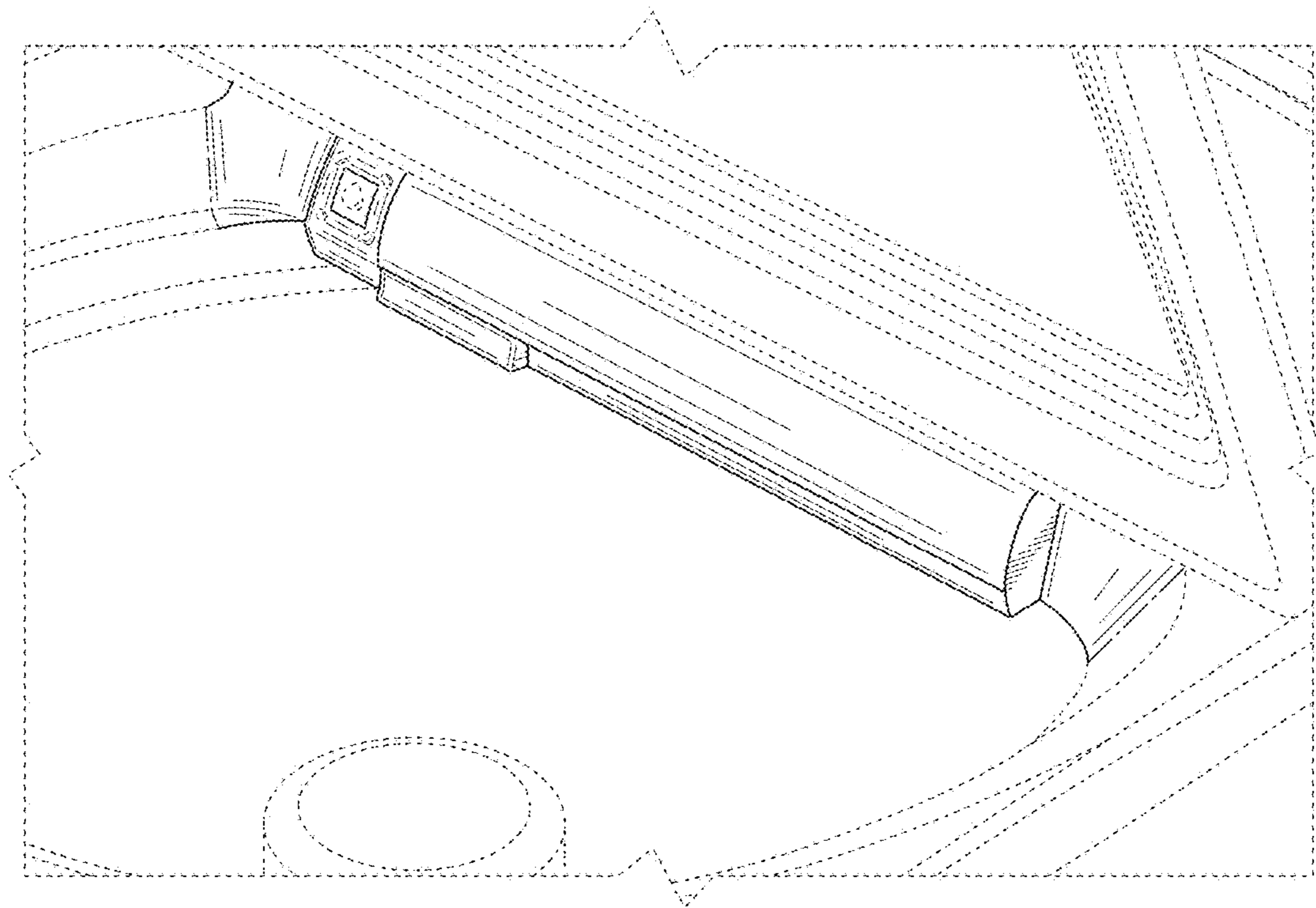


FIG. 17

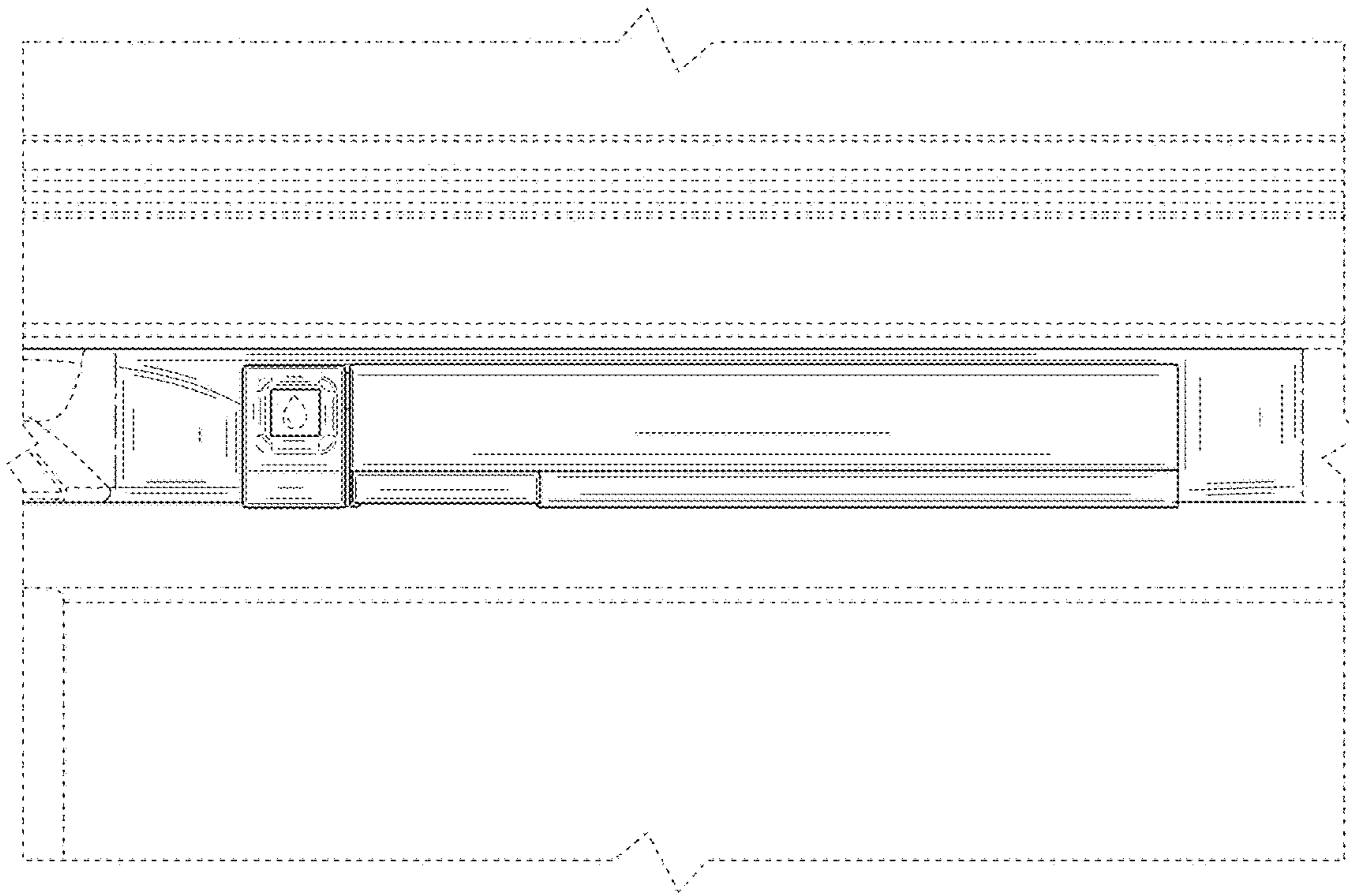


FIG. 18

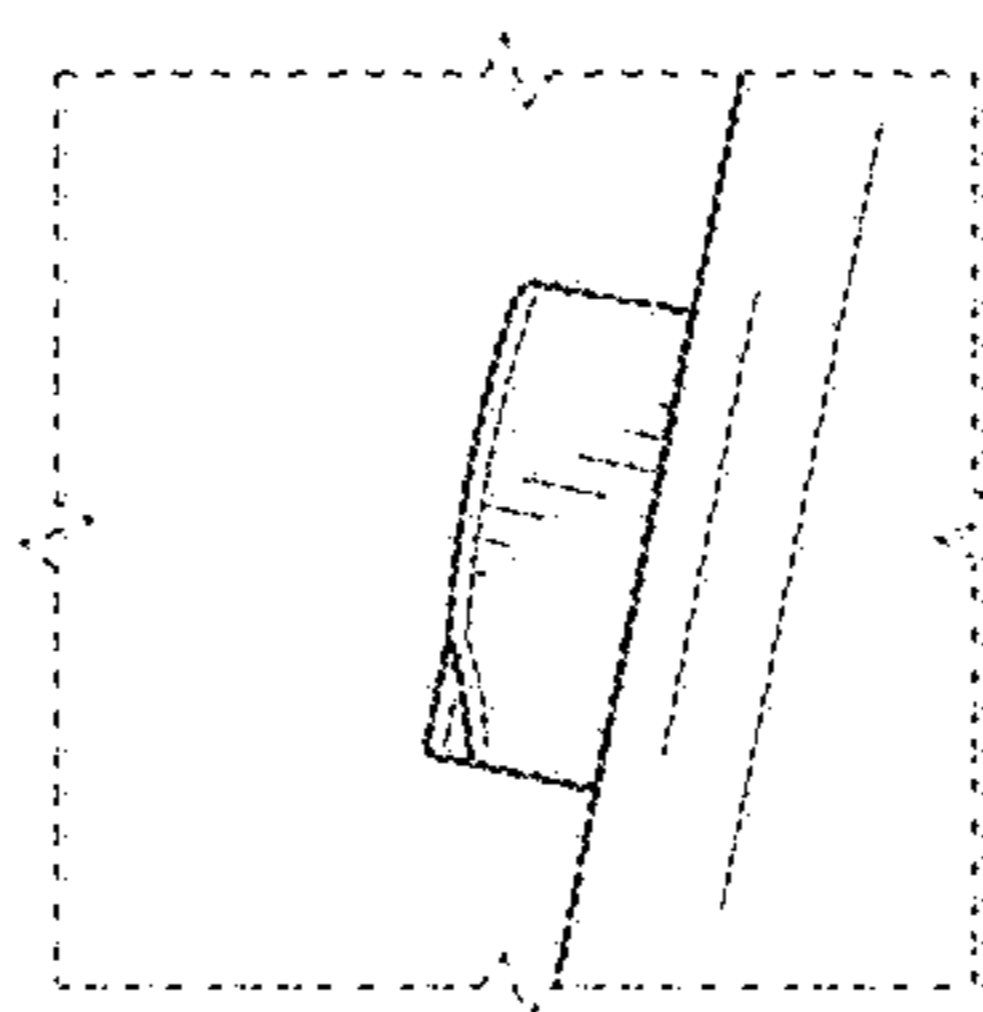


FIG. 19

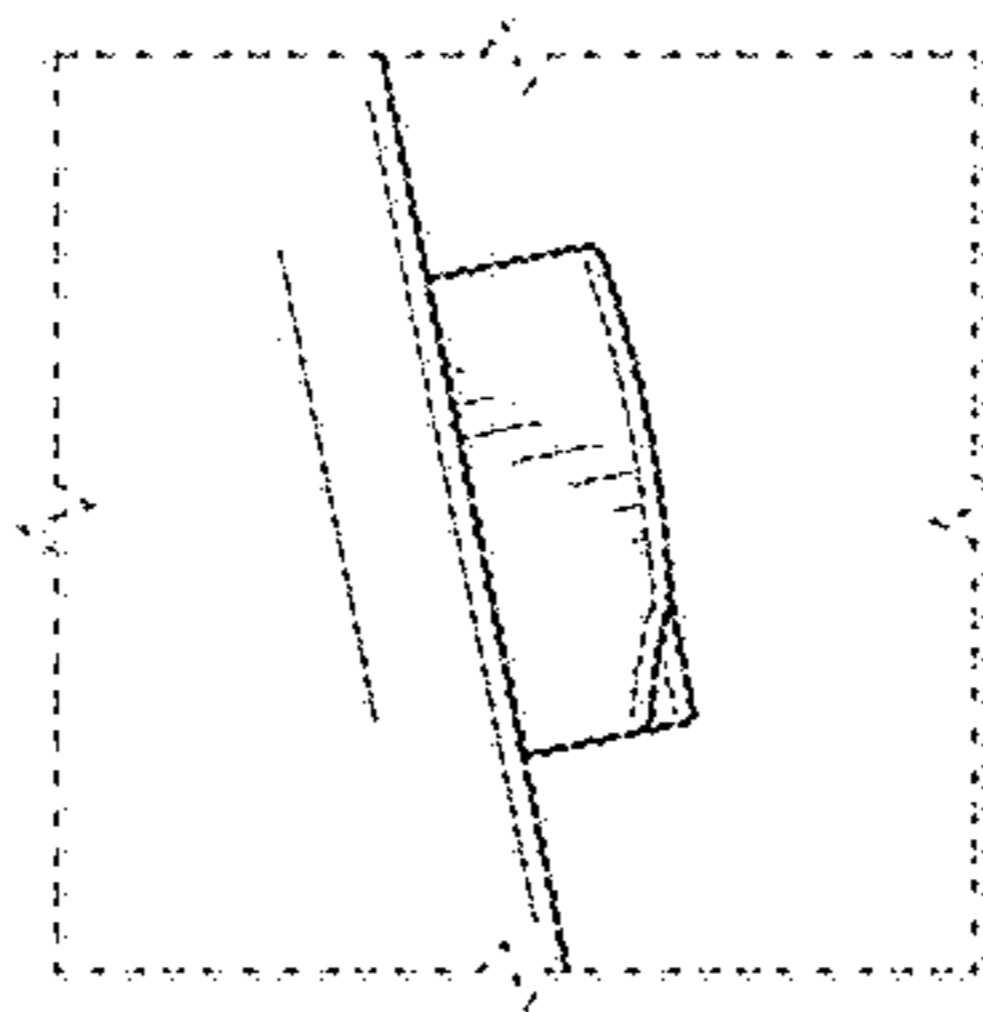


FIG. 20

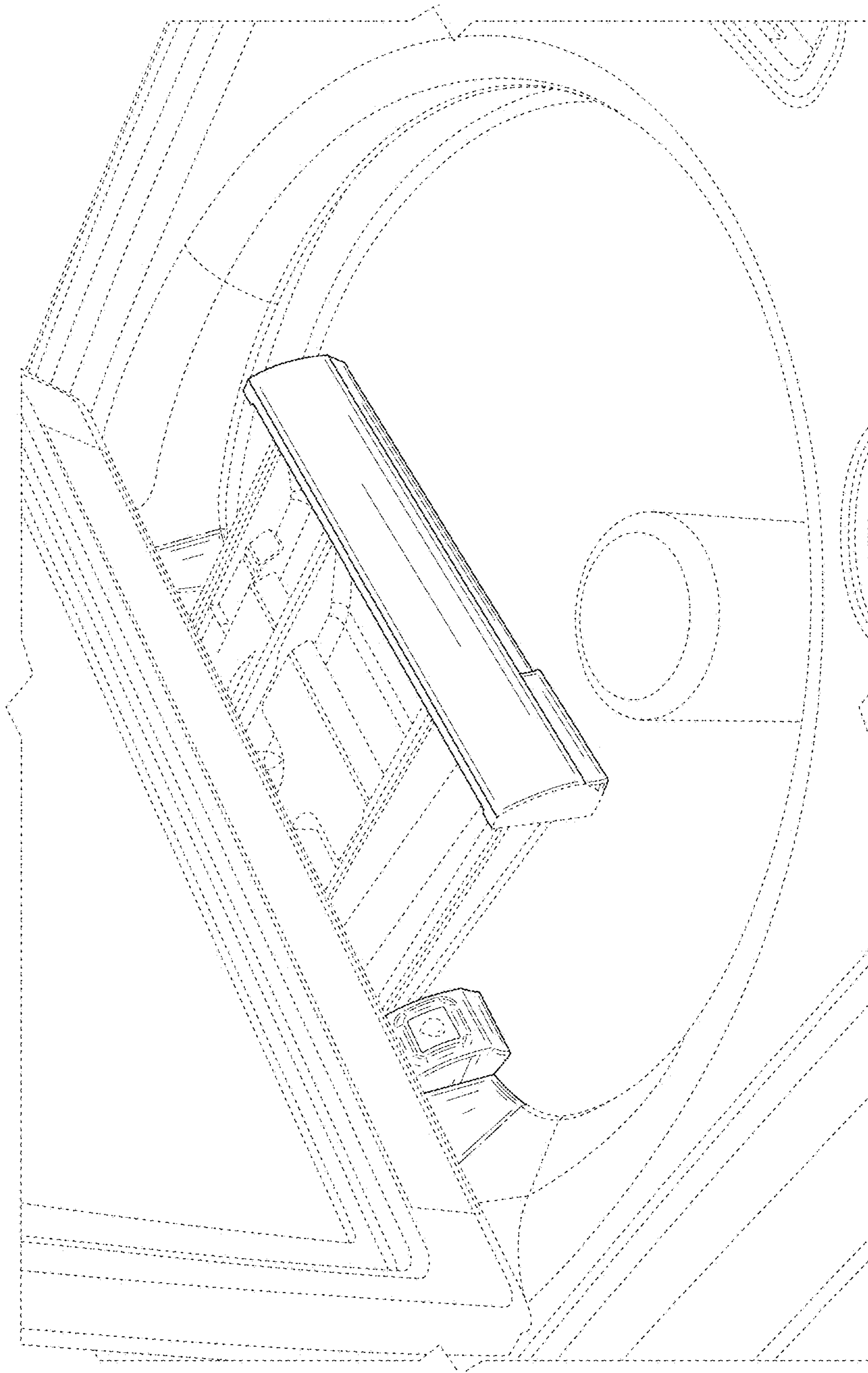


FIG. 21