



US00D857315S

(12) **United States Design Patent** (10) **Patent No.:** **US D857,315 S**
Chavana, Jr. et al. (45) **Date of Patent:** **** Aug. 20, 2019**

(54) **SURFACE CLEANING DEVICE SHAFT**

(71) Applicant: **Rug Doctor, LLC**, Plano, TX (US)
(72) Inventors: **Ernest Matthew Chavana, Jr.**, Villa Ridge, MO (US); **Richard Foster**, Powell, OH (US); **Stanley Anderson**, Fenton, MO (US); **Christopher Terpstra**, Frisco, TX (US); **Jan Valentic**, Plano, TX (US); **Xintao Ma**, Suzhou (CN)
(73) Assignee: **RUG DOCTOR, LLC**, Plano, TX (US)

(**) Term: **15 Years**

(21) Appl. No.: **29/618,162**

(22) Filed: **Sep. 19, 2017**

(51) **LOC (12) Cl.** **15-05**

(52) **U.S. Cl.**
USPC **D32/25**

(58) **Field of Classification Search**
USPC ... D32/1, 14, 25, 34, 35, 15, 17, 18, 31, 32, D32/39, 49, 51, 52, 54, 71, 72; D23/223, D23/224; D6/524; D28/7; 4/255.05, 4/255.01, 255.12, 255.09, 255.11; 15/406, 104.05, 104.31, 104.32, 104.33; D8/51, 70
CPC .. E03D 9/00; E03C 1/30; E03C 1/308; A47K 11/10; E03F 9/005; B08B 9/045; A47L 11/4075; A47L 11/4002; A47L 11/4088; A47L 11/4044; A47L 11/4072; A47L 11/4008; A47L 11/4036; A47L 11/201; A47L 11/202; A47L 11/307; A47L 11/34
See application file for complete search history.

(56) **References Cited**

U.S. PATENT DOCUMENTS

5,491,862 A * 2/1996 Hurley F23J 3/026
15/104.066
5,716,076 A * 2/1998 Tamborini A47L 9/242
15/321

(Continued)

OTHER PUBLICATIONS

Pro Deep Stain Cleaner posted by Rug Doctor posted date unknown, © Amazon, [online], [site visited Nov. 21, 2018]. Available from Internet, https://www.amazon.com/gp/product/B07953G6TZ/ref=s9_dcacsd_dcoop_bw_c_x_3_w (Year: 2018).*

(Continued)

Primary Examiner — Cynthia Ramirez

Assistant Examiner — Laura H Yu

(74) *Attorney, Agent, or Firm* — Hauptman Ham, LLP

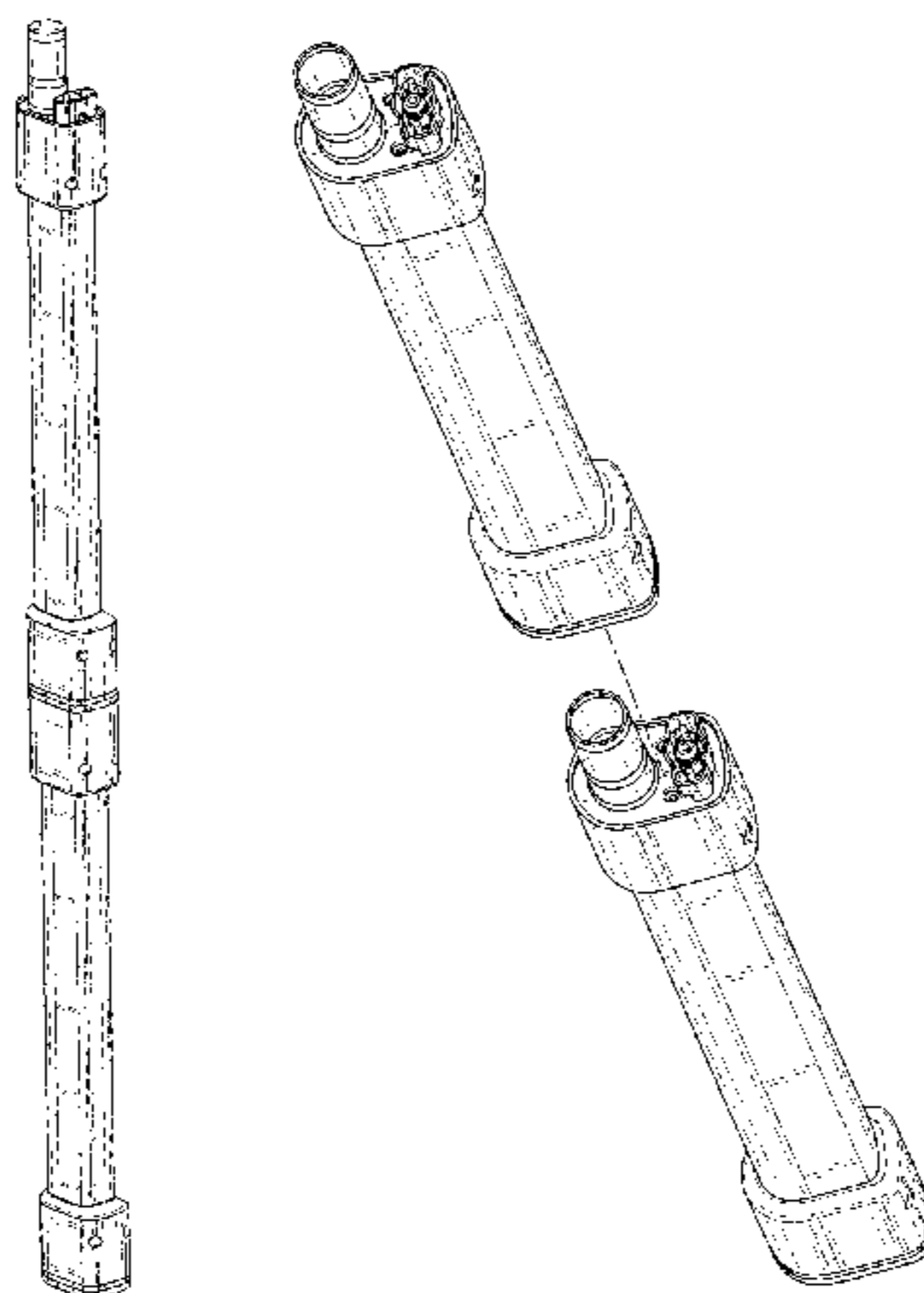
(57) **CLAIM**

The ornamental design for a surface cleaning device shaft, as shown and described.

DESCRIPTION

FIG. 1 is a perspective view of a surface cleaning device shaft showing our new design;
FIG. 2 is a front view of the surface cleaning device shaft of FIG. 1;
FIG. 3 is a rear view of the surface cleaning device shaft of FIG. 1;
FIG. 4 is a left side view of the surface cleaning device shaft of FIG. 1;
FIG. 5 is a right side view of the surface cleaning device shaft of FIG. 1;
FIG. 6 is a top view of the surface cleaning device shaft of FIG. 1;
FIG. 7 is a bottom view of the surface cleaning device shaft of FIG. 1; and,
FIG. 8 is an exploded-perspective view of the surface cleaning device shaft showing our new design.
The broken lines in the drawings show portions of the surface cleaning device shaft that form no part of the claimed design.

1 Claim, 8 Drawing Sheets



(56)

References Cited

U.S. PATENT DOCUMENTS

5,970,573 A * 10/1999 Lahaye A47L 7/0009
15/321
D513,101 S * 12/2005 Allard D32/32
D561,415 S * 2/2008 Tavano D32/34
D591,918 S * 5/2009 Vaggas D32/22
D611,665 S * 3/2010 Braithwaite D32/18
D625,573 S * 10/2010 Bonzer D8/107
D644,384 S * 8/2011 Santiago D32/34
D652,188 S * 1/2012 Escobar D32/32
D796,132 S * 8/2017 Yoon D32/31
2004/0226130 A1 * 11/2004 Oh A47L 9/104
15/353
2010/0050367 A1 * 3/2010 Tsai A47L 13/22
15/320

OTHER PUBLICATIONS

Intro to Pro Deep Attachments posted by Rug Doctor posted date
Oct. 5, 2017, © YouTube, [online], [site visited Nov. 21, 2018].
Available from Internet, <https://www.youtube.com/watch?v=-ibyCd4iRX8> (Year: 2017).*

* cited by examiner

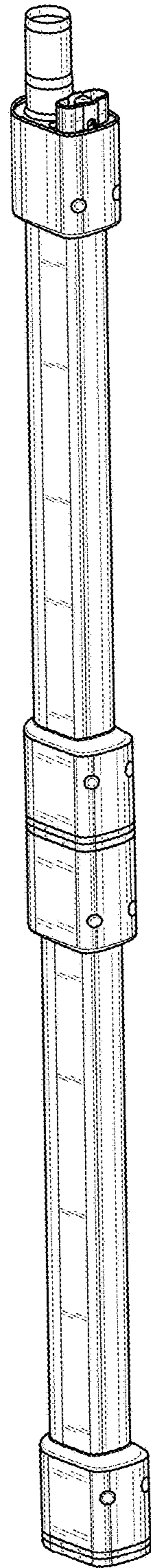


FIG. 1

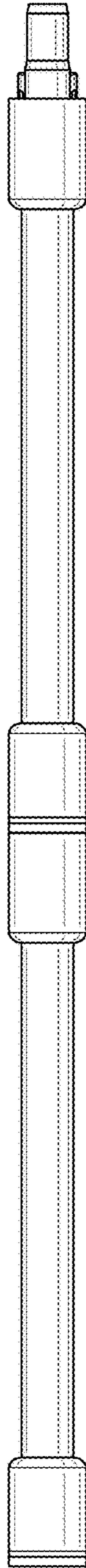


FIG. 2

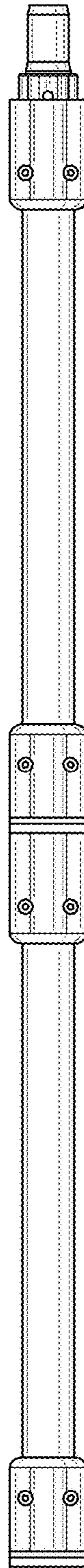


FIG. 3

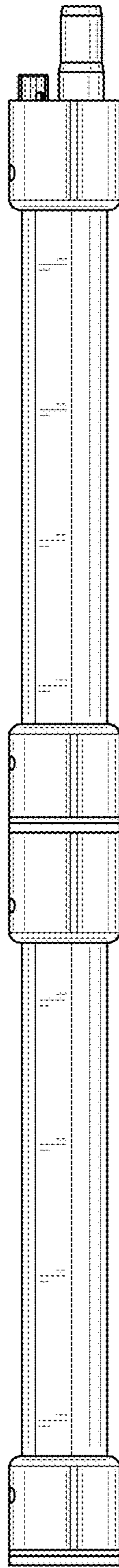


FIG. 4

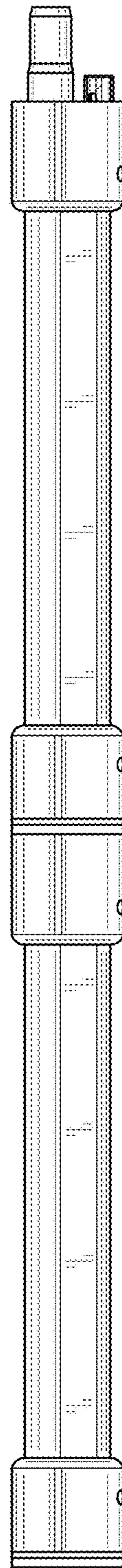


FIG. 5

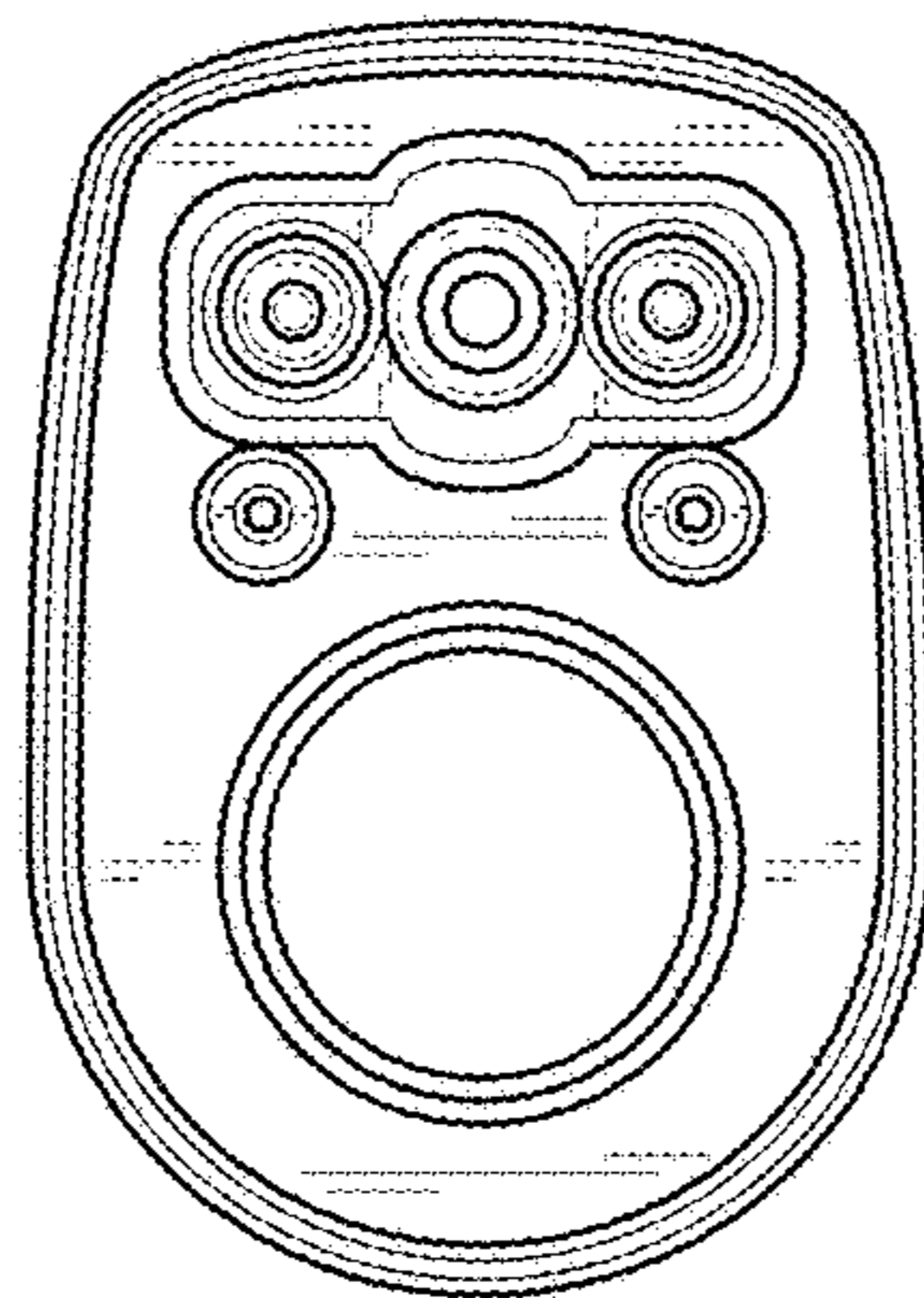


FIG. 6

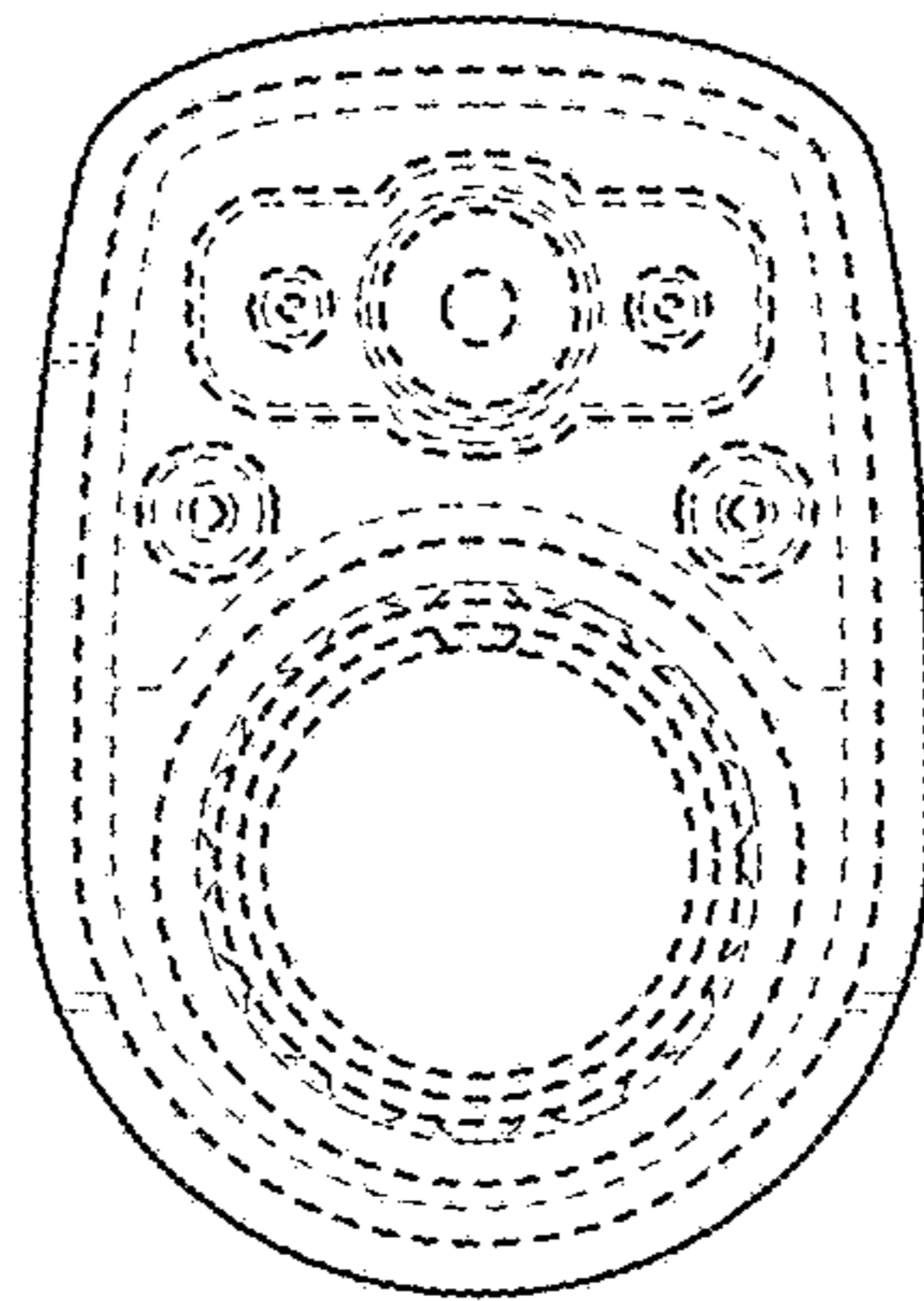


FIG. 7

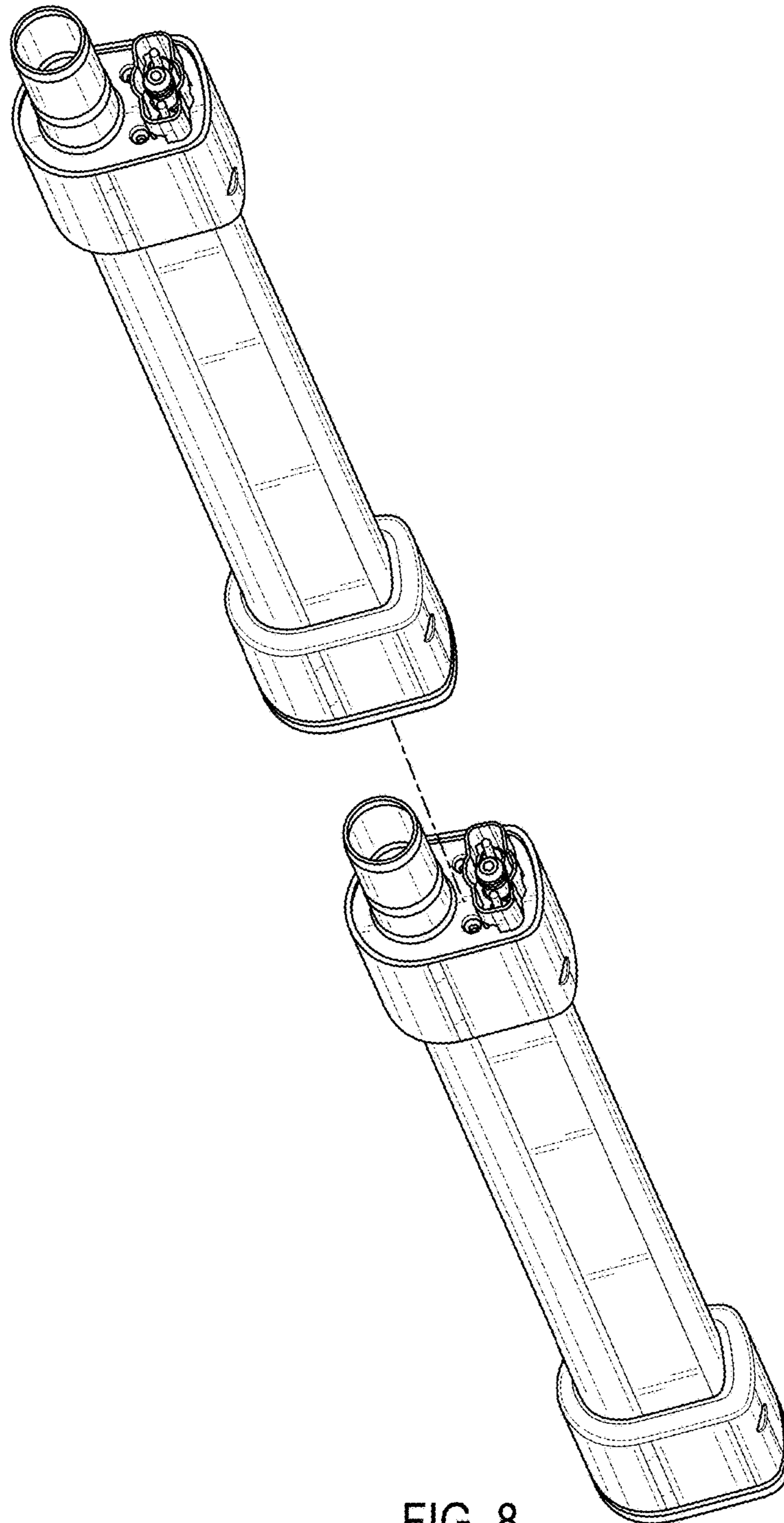


FIG. 8