



US00D857314S

(12) **United States Design Patent** (10) **Patent No.:** **US D857,314 S**
Vanderstegen-Drake et al. (45) **Date of Patent:** **** Aug. 20, 2019**

(54) **VACUUM CLEANER**

(71) Applicant: **Dyson Technology Limited**, Wiltshire (GB)

(72) Inventors: **Mark Stamford Vanderstegen-Drake**, Gloucester (GB); **Peter David Gammack**, Gloucester (GB); **Jonathan George Marsh**, Swindon (GB); **Adam James Bates**, Oxford (GB)

(73) Assignee: **Dyson Technology Limited**, Malmesbury, Wiltshire (GB)

(**) Term: **15 Years**

(21) Appl. No.: **29/667,877**

(22) Filed: **Oct. 25, 2018**

Related U.S. Application Data

(63) Continuation of application No. 29/614,972, filed on Aug. 24, 2017, now Pat. No. Des. 834,774, which is a continuation of application No. 29/588,299, filed on Dec. 20, 2016, now Pat. No. Des. 798,514, which is a continuation of application No. 29/555,300, filed on Feb. 19, 2016, now Pat. No. Des. 778,013, which is a continuation of application No. 29/474,610, filed on Nov. 24, 2014, now Pat. No. Des. 753,356, which is a continuation of application No. 29/450,789, filed on Mar. 22, 2013, now Pat. No. Des. 718,911.

(30) **Foreign Application Priority Data**

Sep. 24, 2012 (EM) 001344600-0001

(51) **LOC (12) Cl.** **15-05**

(52) **U.S. Cl.**
USPC **D32/21**

(58) **Field of Classification Search**

USPC D32/21, 31; D13/108-109; 15/319

CPC E04H 4/1654; A47L 2201/00; A47L

2201/02; A47L 2201/04; A47L 2201/06;

A47L 9/0461; A47L 9/2805; B25J 9/1694

See application file for complete search history.

(56) **References Cited**

U.S. PATENT DOCUMENTS

D527,854 S 9/2006 Marzynski
D548,411 S 8/2007 Schröter
D548,902 S 8/2007 Chun et al.
D556,961 S 12/2007 Swyst et al.
7,441,298 B2 10/2008 Svendsen et al.
D586,959 S 2/2009 Geringer et al.
D593,265 S 5/2009 Carr et al.
D596,815 S 7/2009 Baek

(Continued)

OTHER PUBLICATIONS

Gammack et al., U.S. Office Action dated Aug. 16, 2016, directed to U.S. Appl. No. 29/519,102; 12 pages.

(Continued)

Primary Examiner — Ruth McNroy

(74) *Attorney, Agent, or Firm* — Morrison & Foerster LLP

(57) **CLAIM**

We claim the ornamental design for a vacuum cleaner, as shown and described.

DESCRIPTION

FIG. 1 is a perspective view of a vacuum cleaner showing our new design;

FIG. 2 is a top view thereof;

FIG. 3 is a front view thereof;

FIG. 4 is a side view thereof;

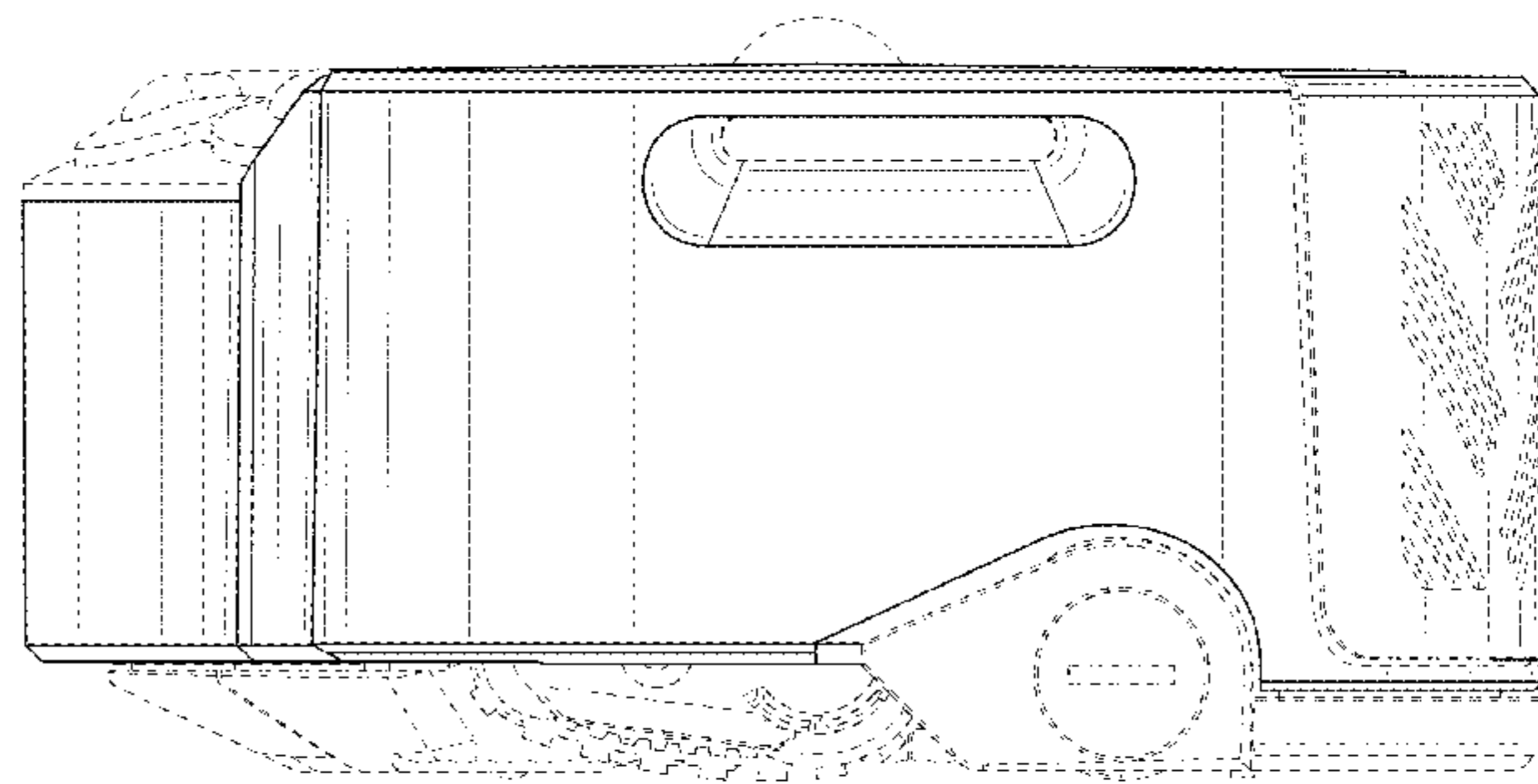
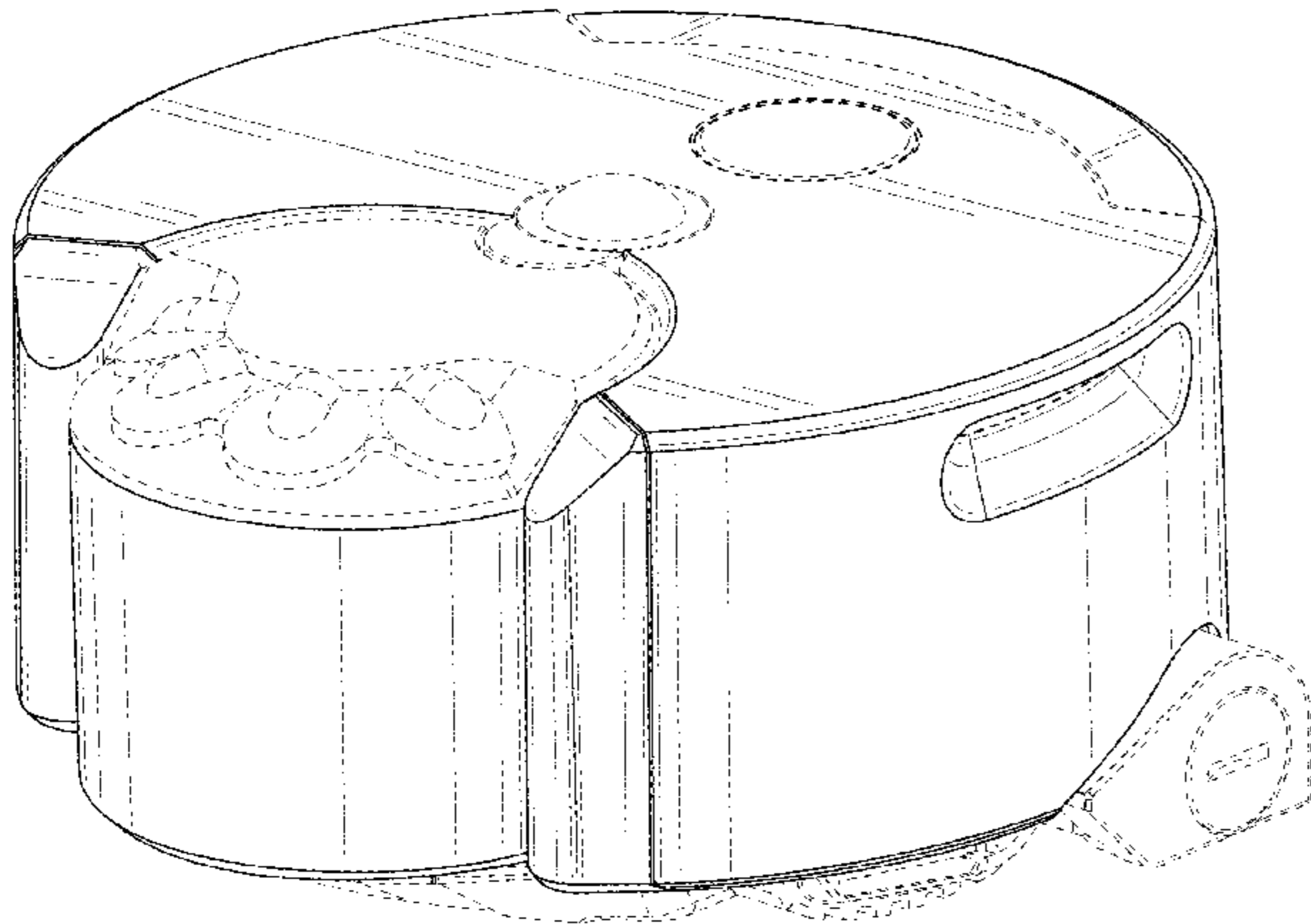
FIG. 5 is a rear view thereof;

FIG. 6 is a side view of the opposite side of FIG. 4; and,

FIG. 7 is a bottom view thereof.

The details shown in broken lines form no part of the claimed design.

1 Claim, 7 Drawing Sheets



(56)

References Cited

U.S. PATENT DOCUMENTS

7,832,048 B2 11/2010 Harwig et al.
D658,341 S 4/2012 Nam et al.
D659,920 S 5/2012 Lee et al.
D661,032 S 5/2012 Lee et al.
D661,439 S 6/2012 Lee et al.
D661,440 S 6/2012 Lee et al.
D665,547 S 8/2012 Nam et al.
D669,235 S 10/2012 Bassett et al.
D670,877 S 11/2012 Geringer et al.
8,370,985 B2 2/2013 Schnittman et al.
8,438,695 B2 5/2013 Gilbert, Jr. et al.
D690,478 S 9/2013 Li
D691,337 S 10/2013 Kim et al.
8,584,307 B2 11/2013 Won et al.
8,627,542 B2 1/2014 Kim et al.
D710,558 S * 8/2014 Mitchell D32/21
D710,559 S * 8/2014 Mitchell D32/21
D718,911 S * 12/2014 Vanderstegen-Drake D32/21
D753,356 S * 4/2016 Vanderstegen-Drake D32/21
D764,726 S * 8/2016 Vanderstegen-Drake D32/21
D768,343 S * 10/2016 Vanderstegen-Drake D32/21
D775,439 S * 12/2016 Vanderstegen-Drake D32/21
D776,375 S * 1/2017 Mitchell D32/21
D778,013 S * 1/2017 Vanderstegen-Drake D32/21
D779,747 S * 2/2017 Vanderstegen-Drake D32/21
D779,748 S * 2/2017 Vanderstegen-Drake D32/21
D779,749 S * 2/2017 Gammack D32/21
D780,389 S * 2/2017 Mitchell D32/21
D798,514 S * 9/2017 Vanderstegen-Drake D32/21
D834,774 S * 11/2018 Vanderstegen-Drake D32/21
2006/0288519 A1 12/2006 Jaworski et al.
2007/0266508 A1 11/2007 Jones et al.
2011/0191976 A1 8/2011 Yan
2012/0023699 A1 2/2012 Shim et al.
2012/0047676 A1 3/2012 Jung et al.
2012/0084934 A1 4/2012 Li
2012/0317744 A1 12/2012 Gilbert, Jr. et al.
2012/0317745 A1 12/2012 Jung et al.
2013/0025085 A1 1/2013 Kim et al.
2013/0061417 A1 3/2013 Vanderstegen-Drake et al.
2013/0086760 A1 4/2013 Han et al.
2013/0152332 A1 6/2013 Jang
2013/0305484 A1 11/2013 Dyson et al.

2013/0340201 A1 12/2013 Jang et al.
2014/0312813 A1 10/2014 Murchie et al.
2016/0058259 A1 3/2016 Mitchell et al.

OTHER PUBLICATIONS

Gammack et al., U.S. Office Action dated May 3, 2016, directed to U.S. Appl. No. 29/519,102; 7 pages.
Mitchell et al, U.S. Office Action dated Jan. 24, 2014, directed to U.S. Appl. No. 29/450,792; 9 pages.
Mitchell et al, U.S. Office Action dated Jan. 27, 2014, directed to U.S. Appl. No. 29/450,791; 8 pages.
Mitchell et al., U.S. Office Action dated Aug. 12, 2016, directed to U.S. Appl. No. 29/519,095; 10 pages.
Mitchell et al., U.S. Office Action dated May 20, 2016, directed to U.S. Appl. No. 29/519,094; 10 pages.
Mitchell et al., U.S. Office Action dated May 3, 2016, directed to U.S. Appl. No. 29/519,095; 6 pages.
Vanderstegen-Drake et al., U.S. Office Action dated Apr. 22, 2015, directed to U.S. Appl. No. 29/474,610; 6 pages.
Vanderstegen-Drake et al., U.S. Office Action dated Apr. 3, 2018, directed to U.S. Appl. No. 29/614,972; 5 pages.
Vanderstegen-Drake et al., U.S. Office Action dated Aug. 15, 2016, directed to U.S. Appl. No. 29/519,093; 12 pages.
Vanderstegen-Drake et al., U.S. Office Action dated Aug. 16, 2016, directed to U.S. Appl. No. 29/519,097; 12 pages.
Vanderstegen-Drake et al., U.S. Office Action dated Jan. 27, 2014, directed to U.S. Appl. No. 29/450,789; 8 pages.
Vanderstegen-Drake et al., U.S. Office Action dated Jun. 27, 2014, directed to U.S. Appl. No. 29/450,789; 7 pages.
Vanderstegen-Drake et al., U.S. Office Action dated May 20, 2016, directed to U.S. Appl. No. 29/519,116; 6 pages.
Vanderstegen-Drake et al., U.S. Office Action dated May 3, 2016, directed to U.S. Appl. No. 29/519,097; 6 pages.
Vanderstegen-Drake et al., U.S. Office Action dated May 3, 2016, directed to U.S. Appl. No. 29/519,118; 5 pages.
Vanderstegen-Drake et al., U.S. Office Action dated May 31, 2016, directed to U.S. Appl. No. 29/555,300; 9 pages.
Vanderstegen-Drake et al., U.S. Office Action dated May 4, 2016, directed to U.S. Appl. No. 29/519,093; 7 pages.
Vanderstegen-Drake et al., U.S. Office Action dated Aug. 12, 2015, directed to U.S. Appl. No. 29/474,610; 10 pages.

* cited by examiner

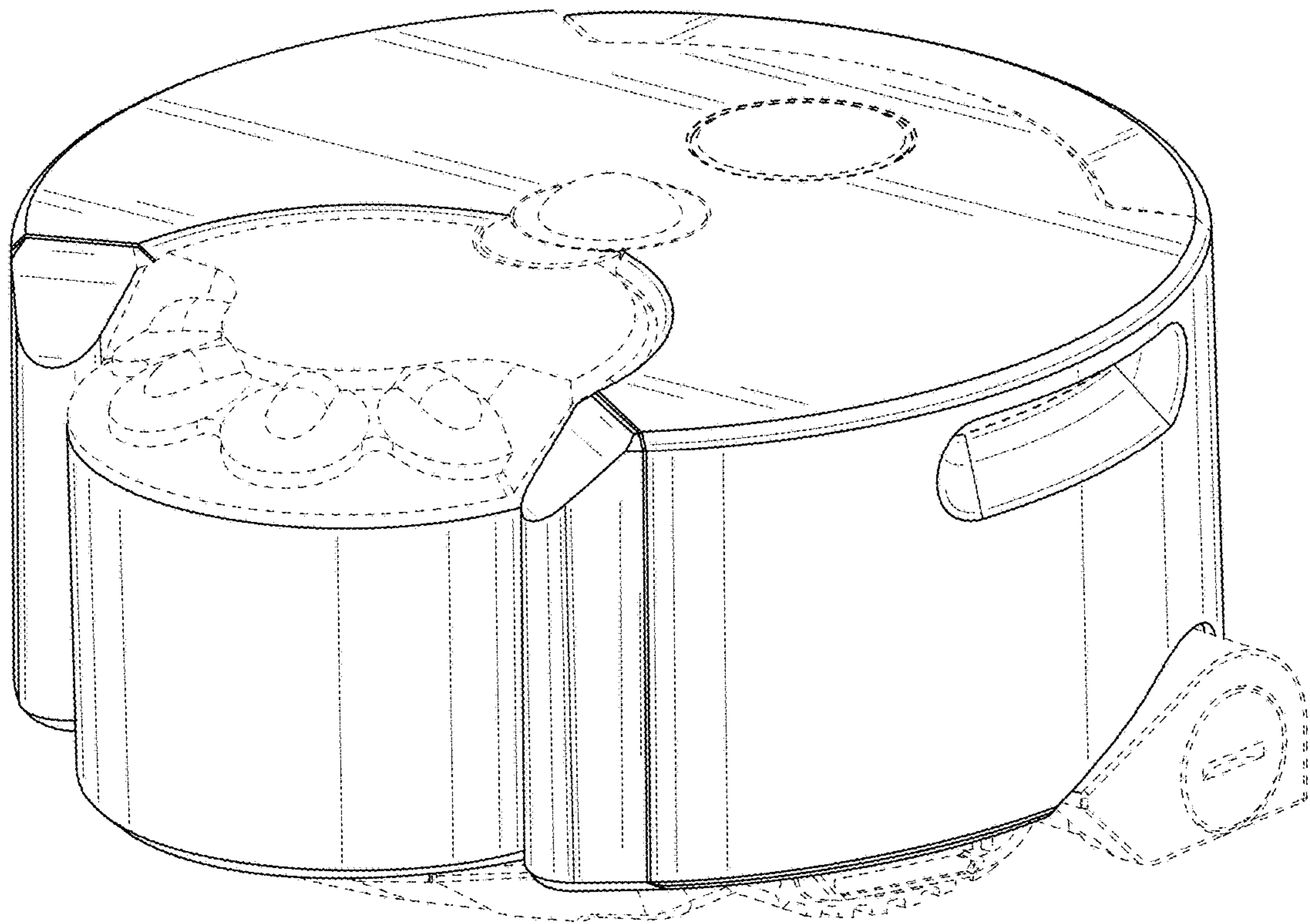


FIG. 1

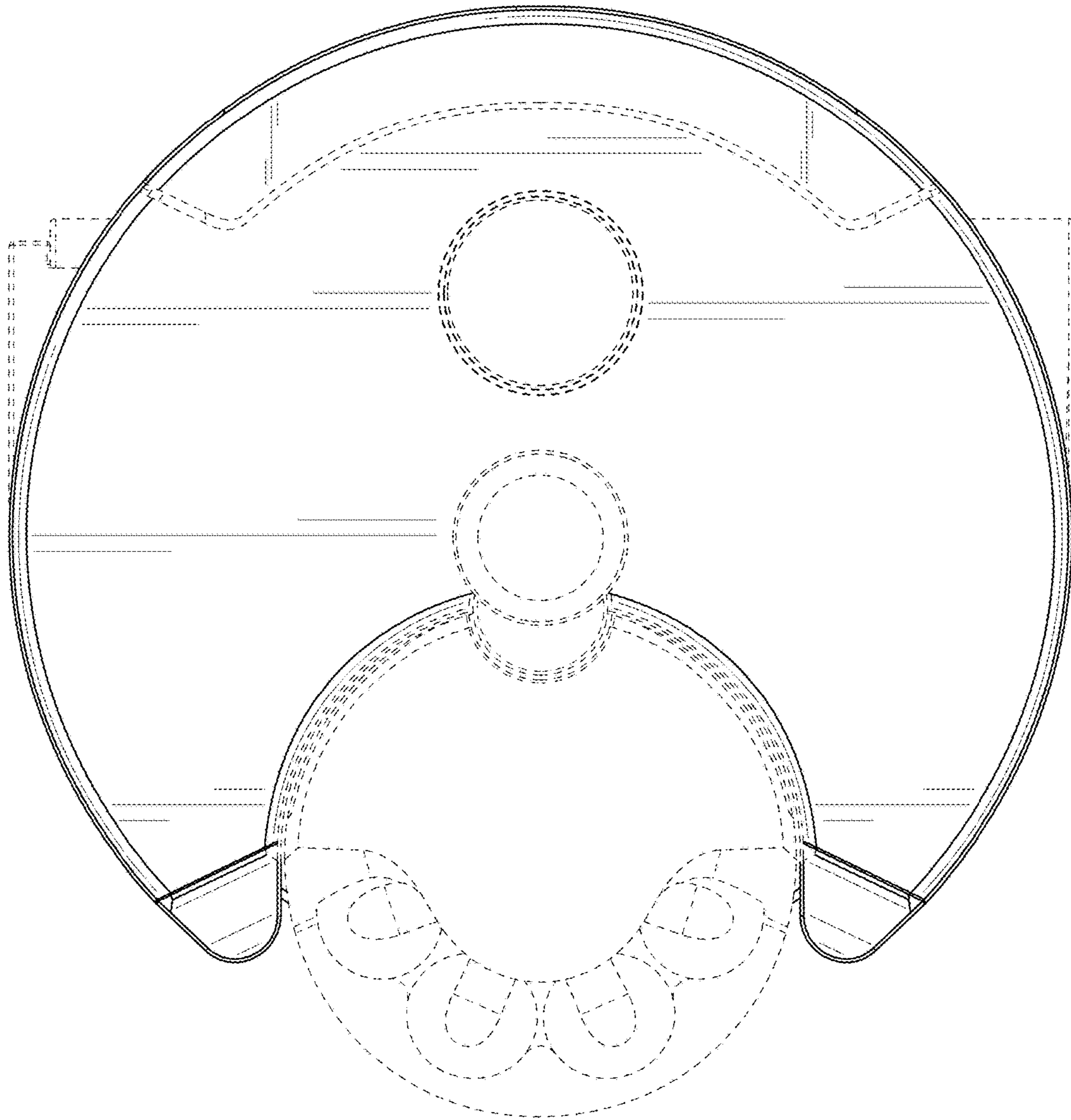


FIG. 2

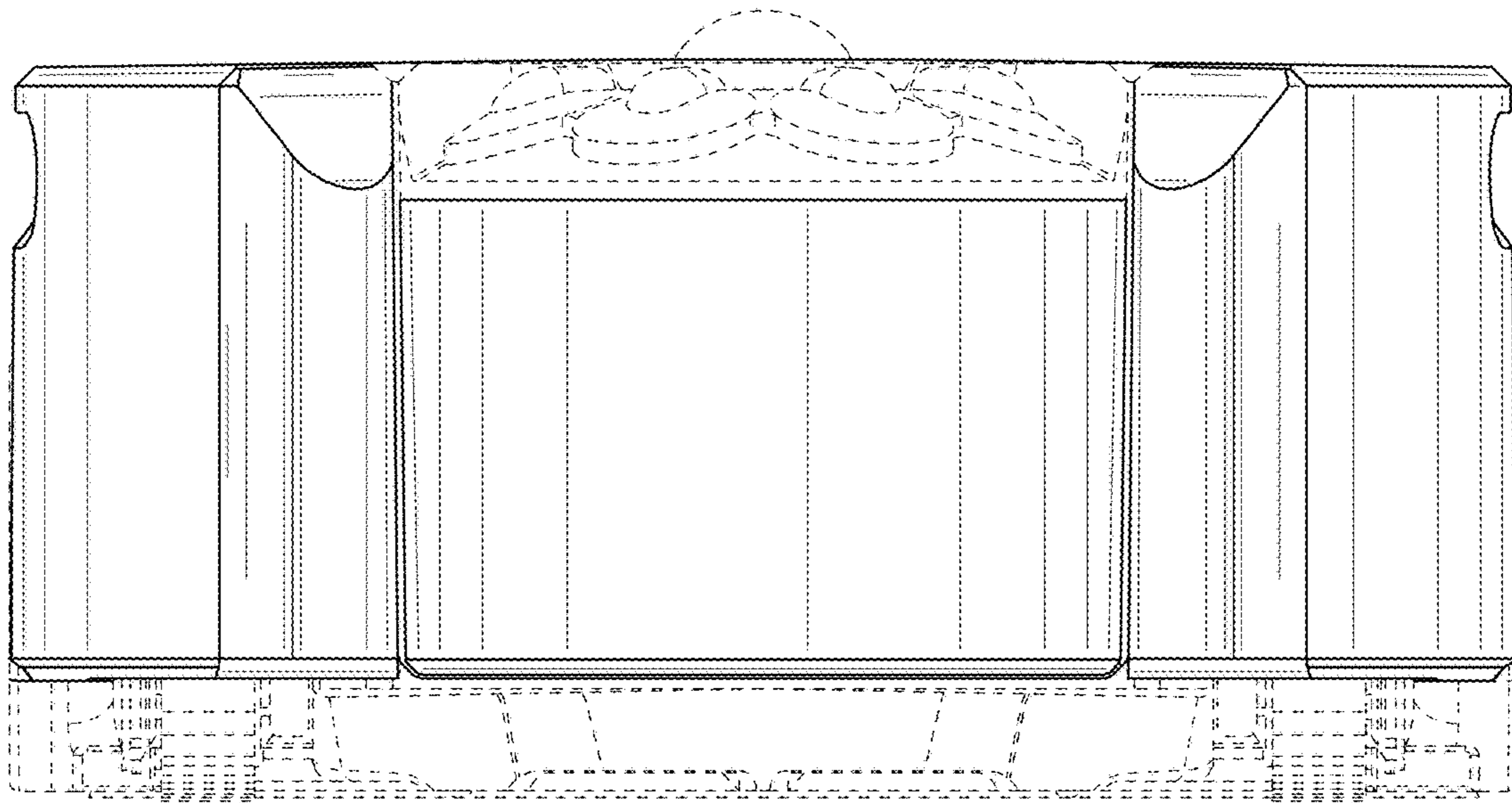


FIG. 3

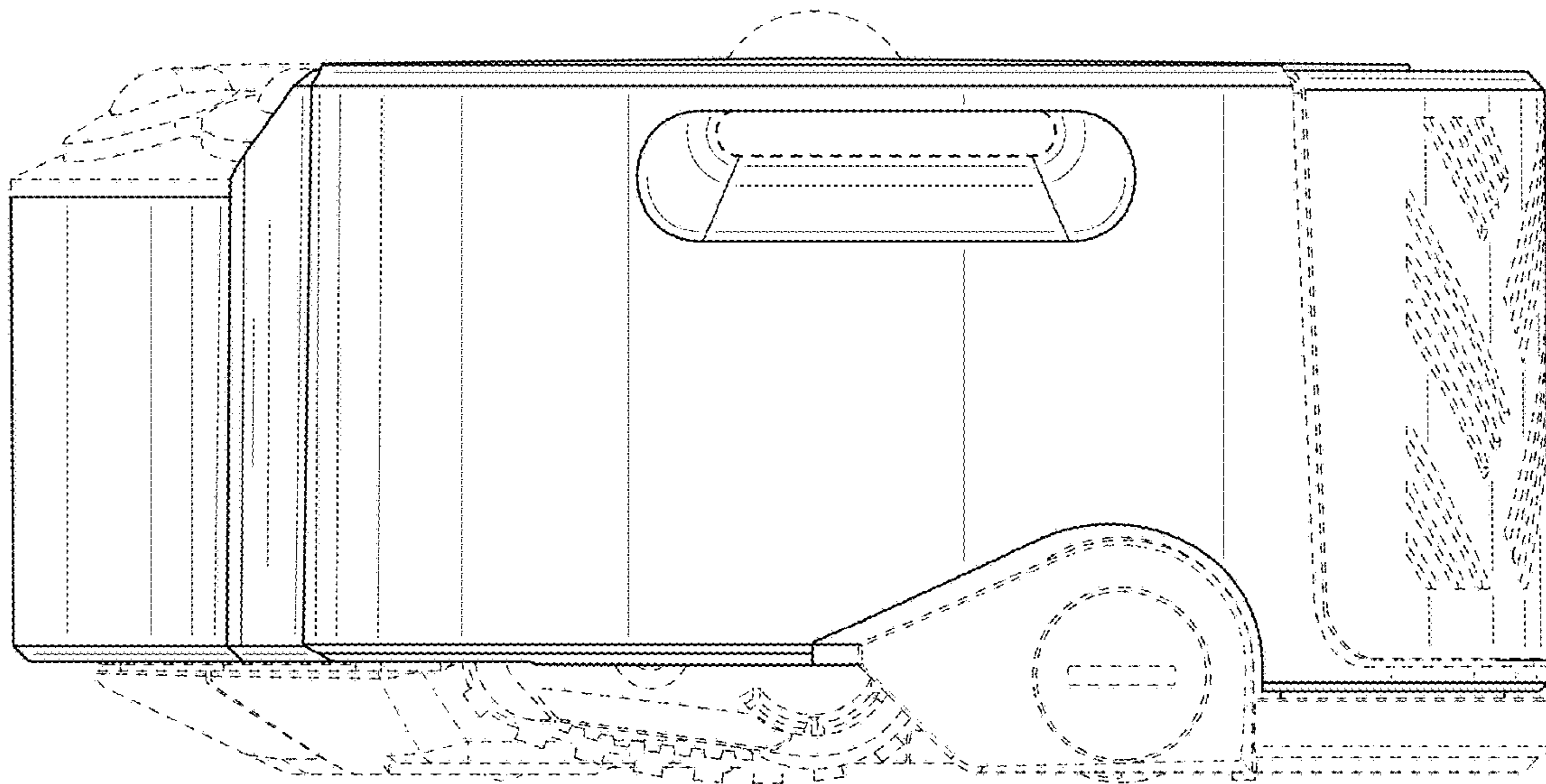


FIG. 4

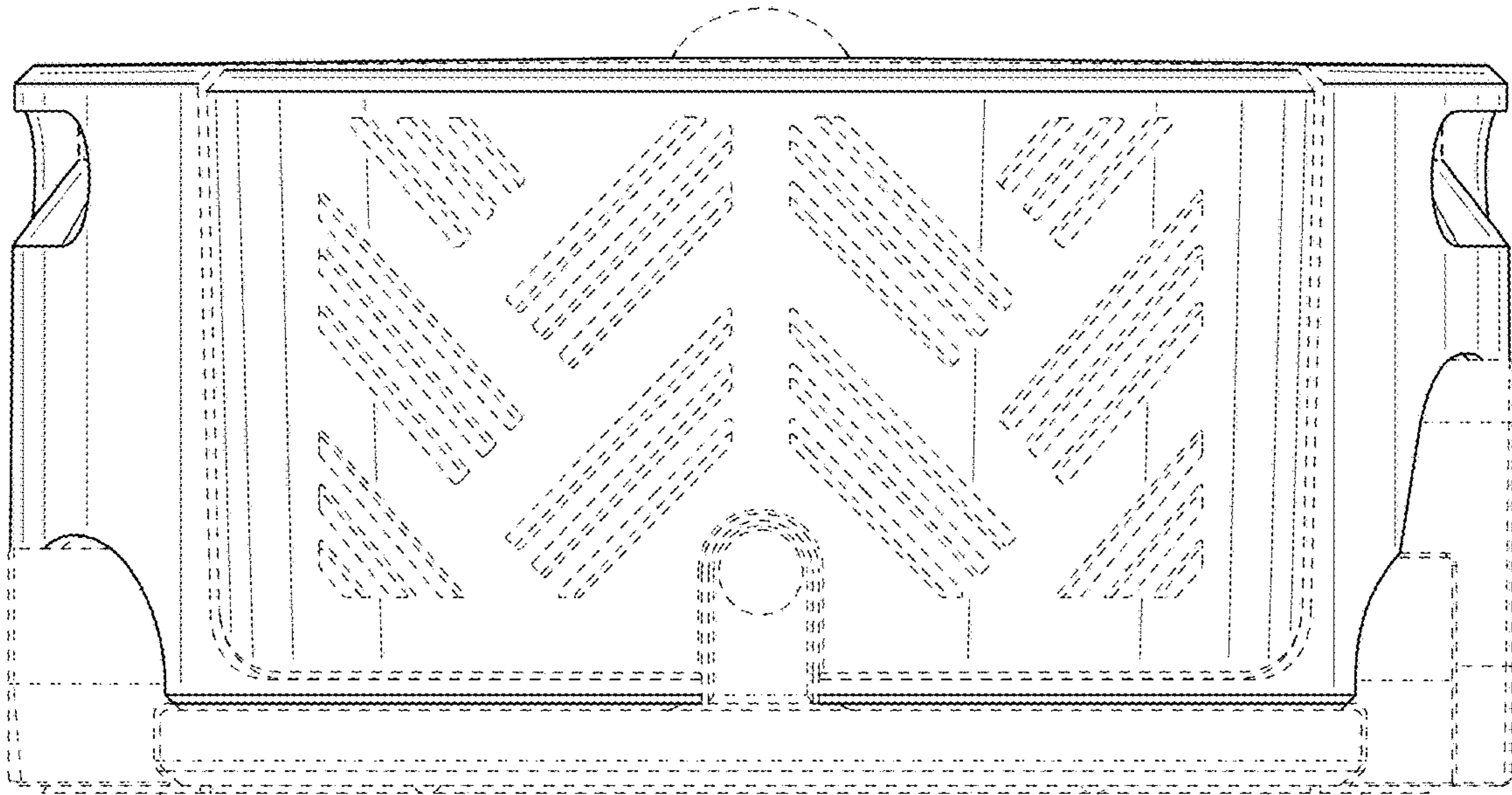


FIG. 5

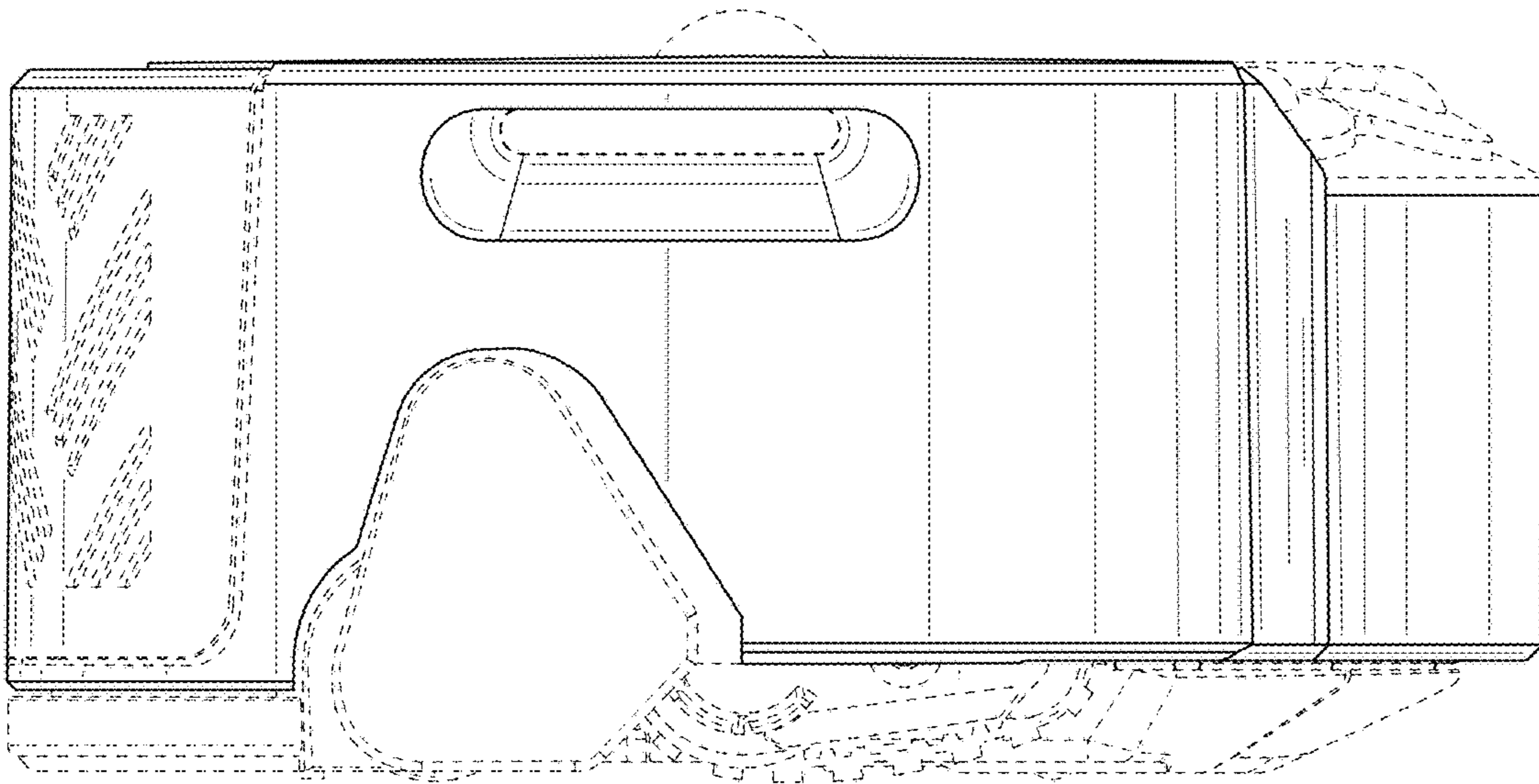


FIG. 6

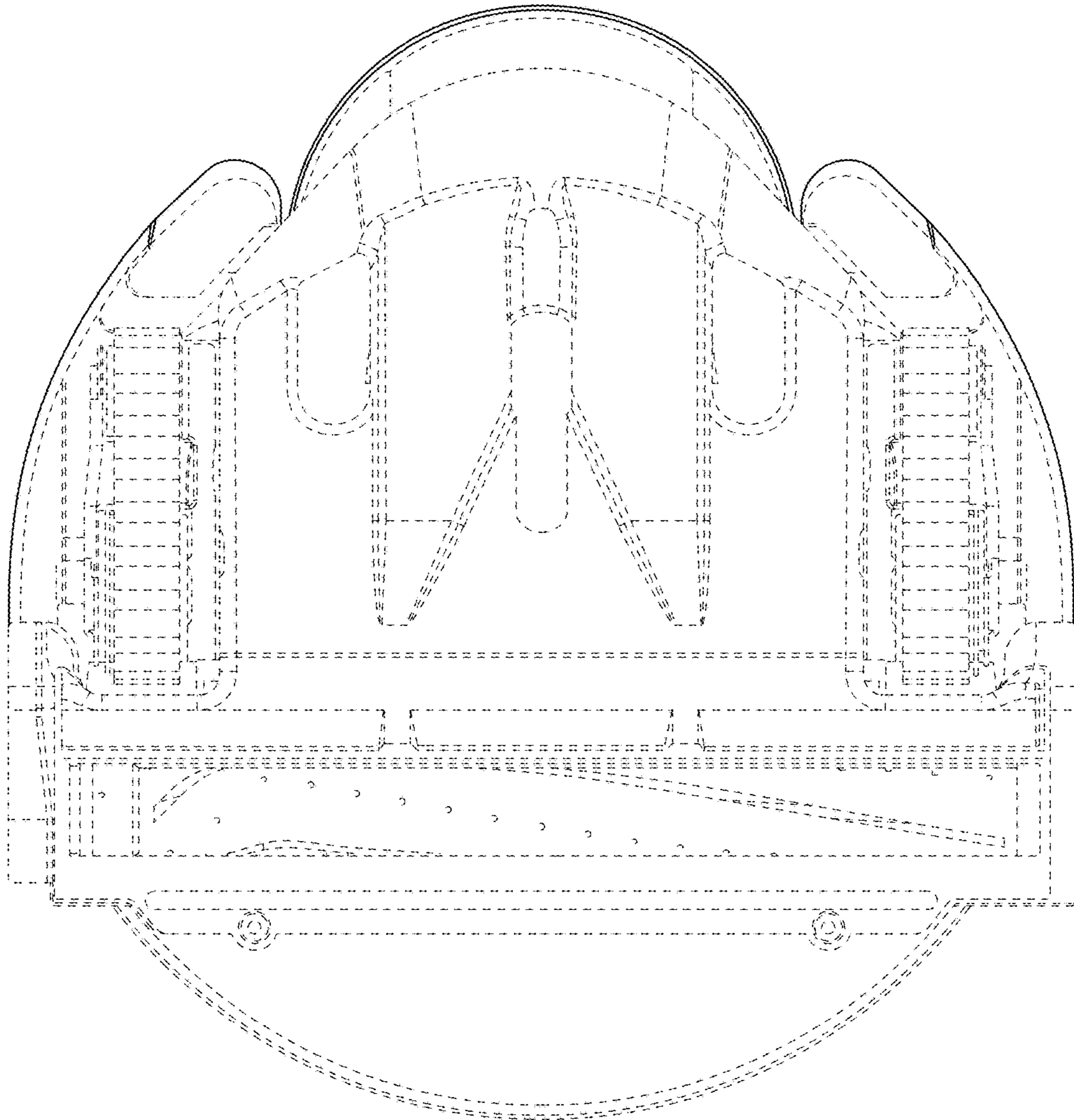


FIG. 7