

US00D857311S

(12) **United States Design Patent** (10) **Patent No.:** **US D857,311 S**
Cavalcanti et al. (45) **Date of Patent:** **** Aug. 20, 2019**

(54) **PLUNGER**
(71) Applicant: **Butler Home Products LLC**, Hudson, MA (US)
(72) Inventors: **Robert Cavalcanti**, Marlborough, MA (US); **Kirk Morris**, Cambridge, MA (US); **Robert L. Blackadar**, Worcester, MA (US)
(73) Assignee: **BUTLER HOME PRODUCTS, LLC**, Hudson, MA (US)
(**) Term: **15 Years**

(21) Appl. No.: **29/639,570**
(22) Filed: **Mar. 7, 2018**
(51) **LOC (12) Cl.** **15-05**
(52) **U.S. Cl.**
USPC **D32/14**
CPC **E03C 1/308** (2013.01); **E03D 9/00** (2013.01)

(58) **Field of Classification Search**
USPC D32/1, 14, 25, 35; D23/223, 224; D6/524
CPC E03C 1/308; A47K 11/10
See application file for complete search history.

(56) **References Cited**
U.S. PATENT DOCUMENTS
D292,631 S * 11/1987 Tash D32/14
D437,667 S * 2/2001 Hwang D32/35
D448,534 S * 9/2001 Wang D32/35
D454,673 S * 3/2002 Hwang D32/35
D456,574 S * 4/2002 Chen D32/35
D465,888 S * 11/2002 Wang D32/35
D491,702 S * 6/2004 Tash D32/14
D509,333 S * 9/2005 Tash D32/35
D514,760 S * 2/2006 Schoolcraft D32/35
7,062,800 B1 6/2006 Alfred

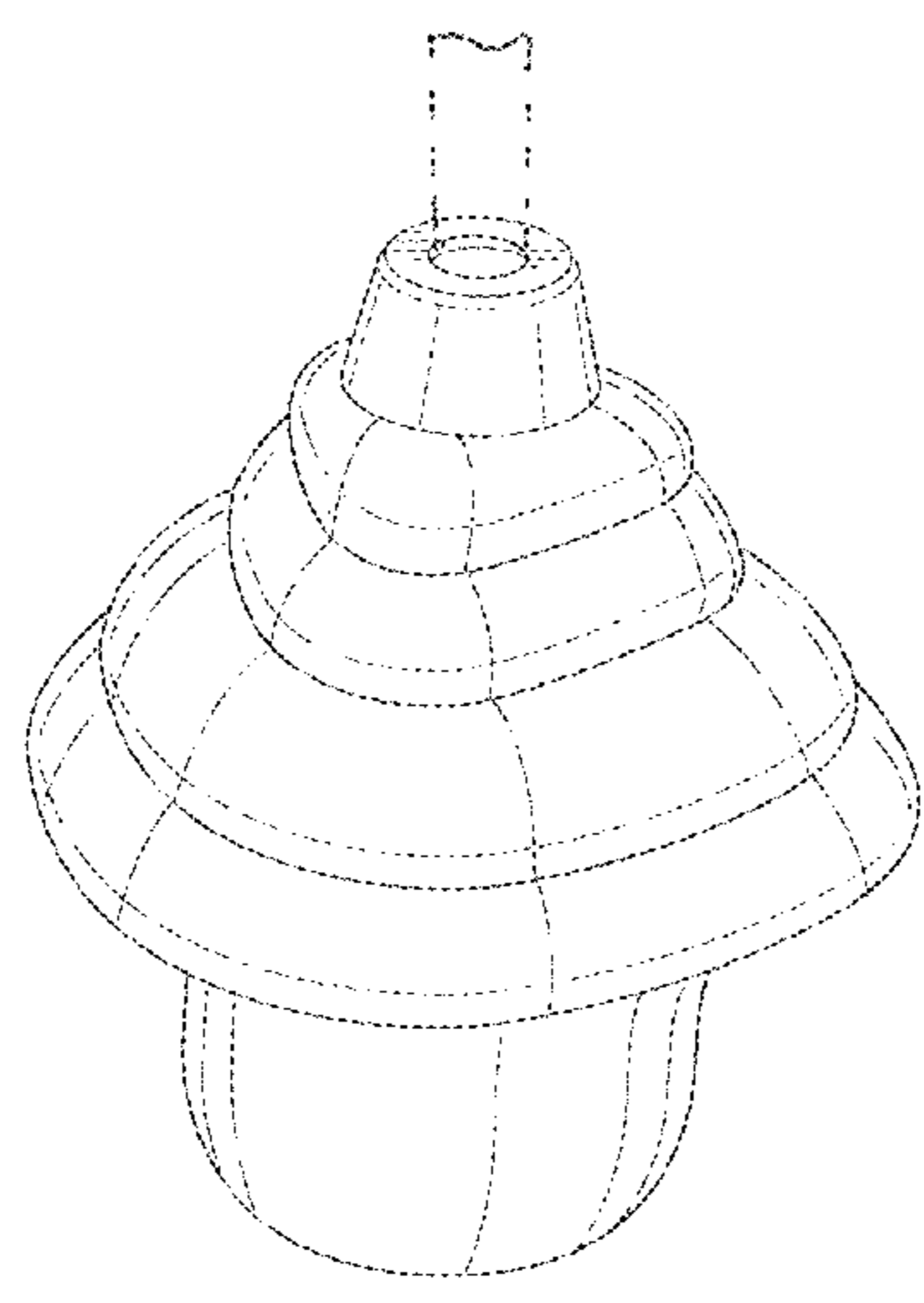
D535,073 S * 1/2007 Leaphart D32/35
D690,959 S * 10/2013 Yang D6/524
8,544,122 B2 10/2013 Slot
2013/0125298 A1 * 5/2013 Guthrie E03D 9/00 4/255.11
2014/0033419 A1 * 2/2014 Daciw E03C 1/308 4/255.11
2014/0075661 A1 * 3/2014 Zeng E03D 9/00 4/255.11
2014/0115768 A1 * 5/2014 Wang E03D 9/00 4/255.11
2015/0240466 A1 * 8/2015 Schultz A47K 11/10 4/255.11
2016/0298322 A1 * 10/2016 Zavala E03D 11/00

* cited by examiner
Primary Examiner — Michelle E. Wilson
(74) *Attorney, Agent, or Firm* — McCarter & English, LLP

(57) **CLAIM**
The ornamental design for a plunger, as shown and described.

DESCRIPTION
FIG. 1 is a top perspective view of a plunger; FIG. 2 is a bottom perspective view thereof; FIG. 3 is a front elevational view thereof; FIG. 4 is a back elevational view thereof; FIG. 5 is a right side elevational view thereof; FIG. 6 is a left side elevational view thereof; FIG. 7 is a top plan view thereof; and, FIG. 8 is a bottom plan view thereof.
The broken lines in the drawings show structure and/or boundaries that are not part of the claimed design, but rather show the environment in which the design is associated, or show portions of the article in which the design is embodied or applied to that are not considered part of the claimed design.

1 Claim, 8 Drawing Sheets



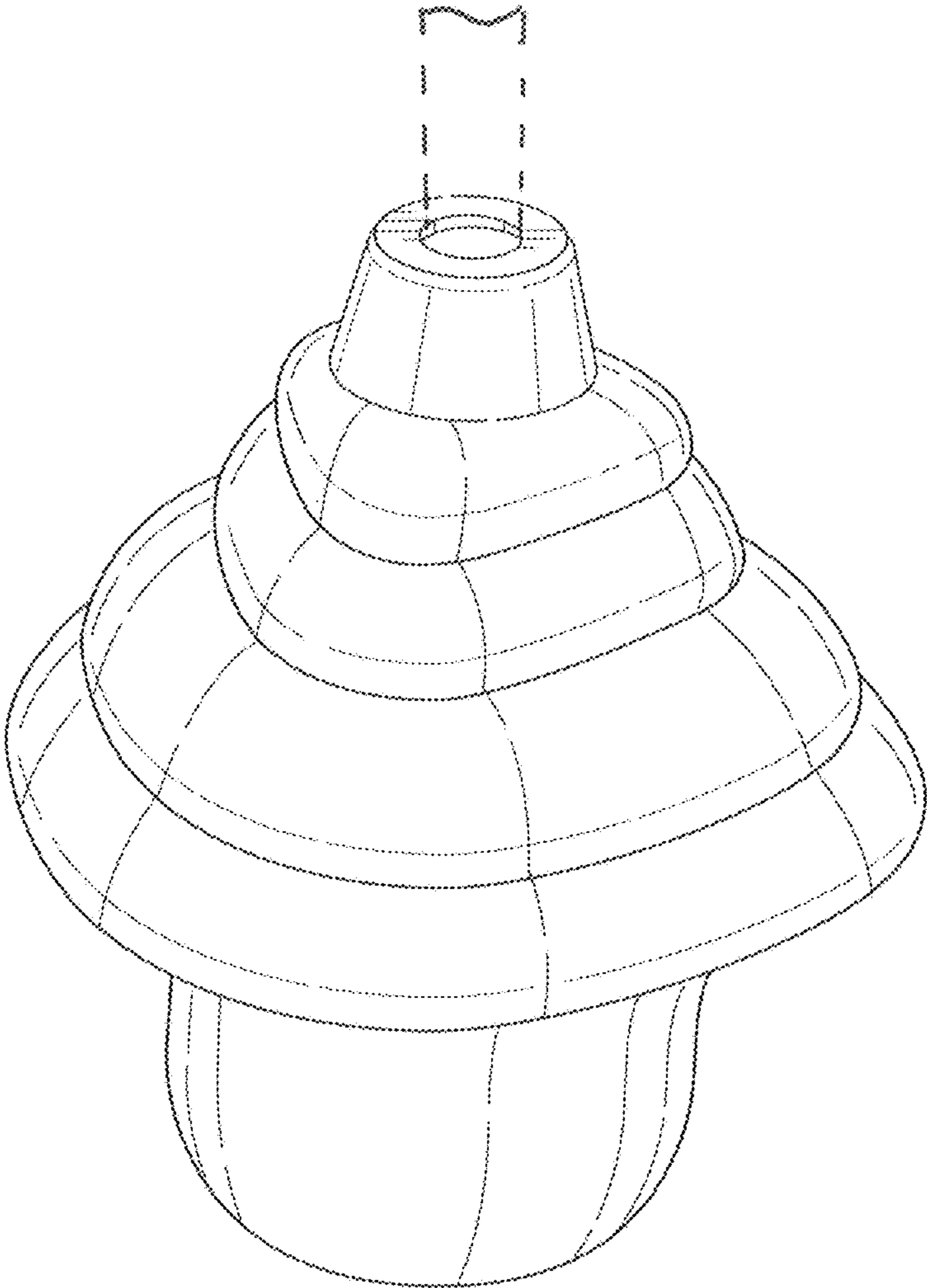


FIG. 1

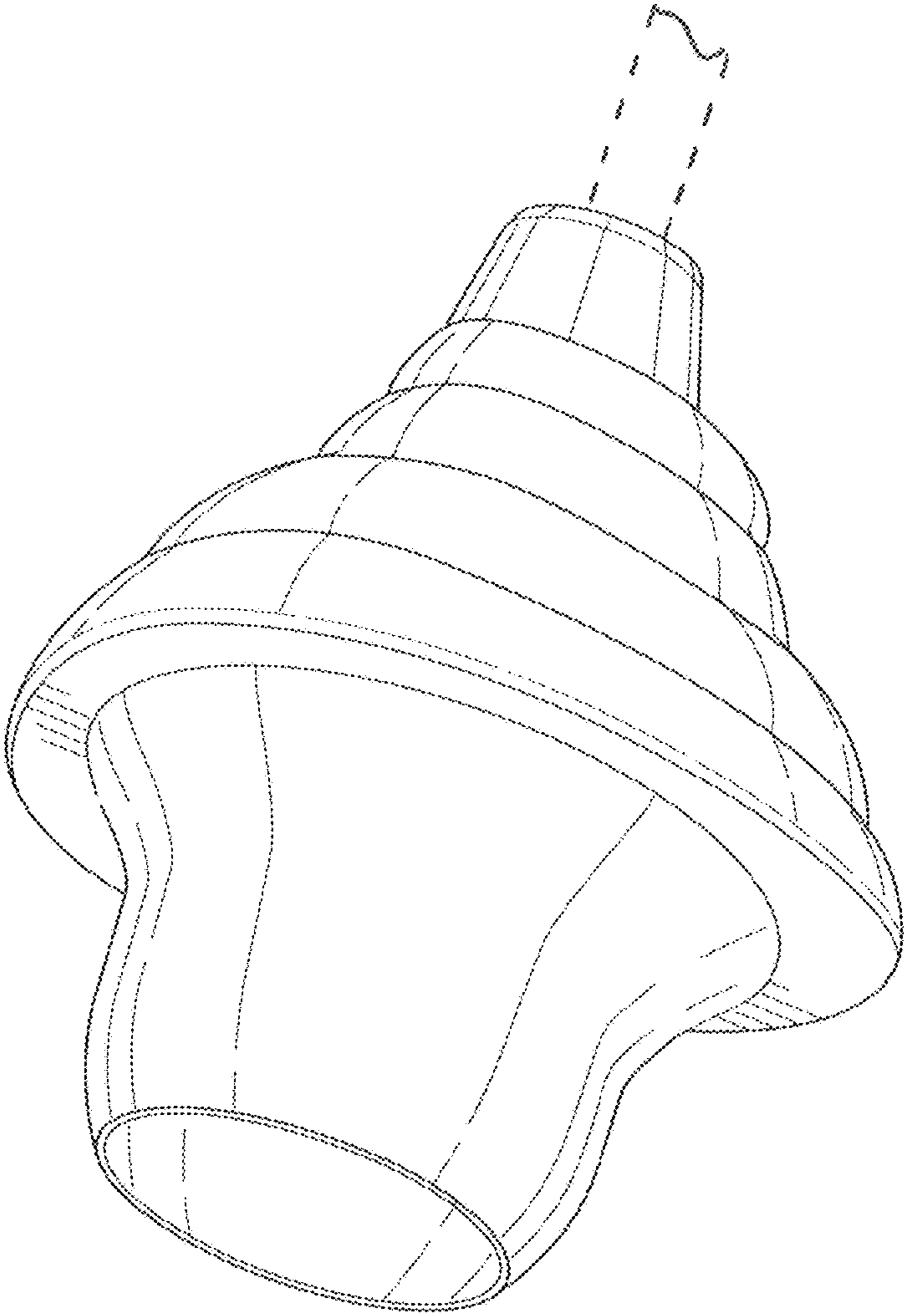


FIG. 2

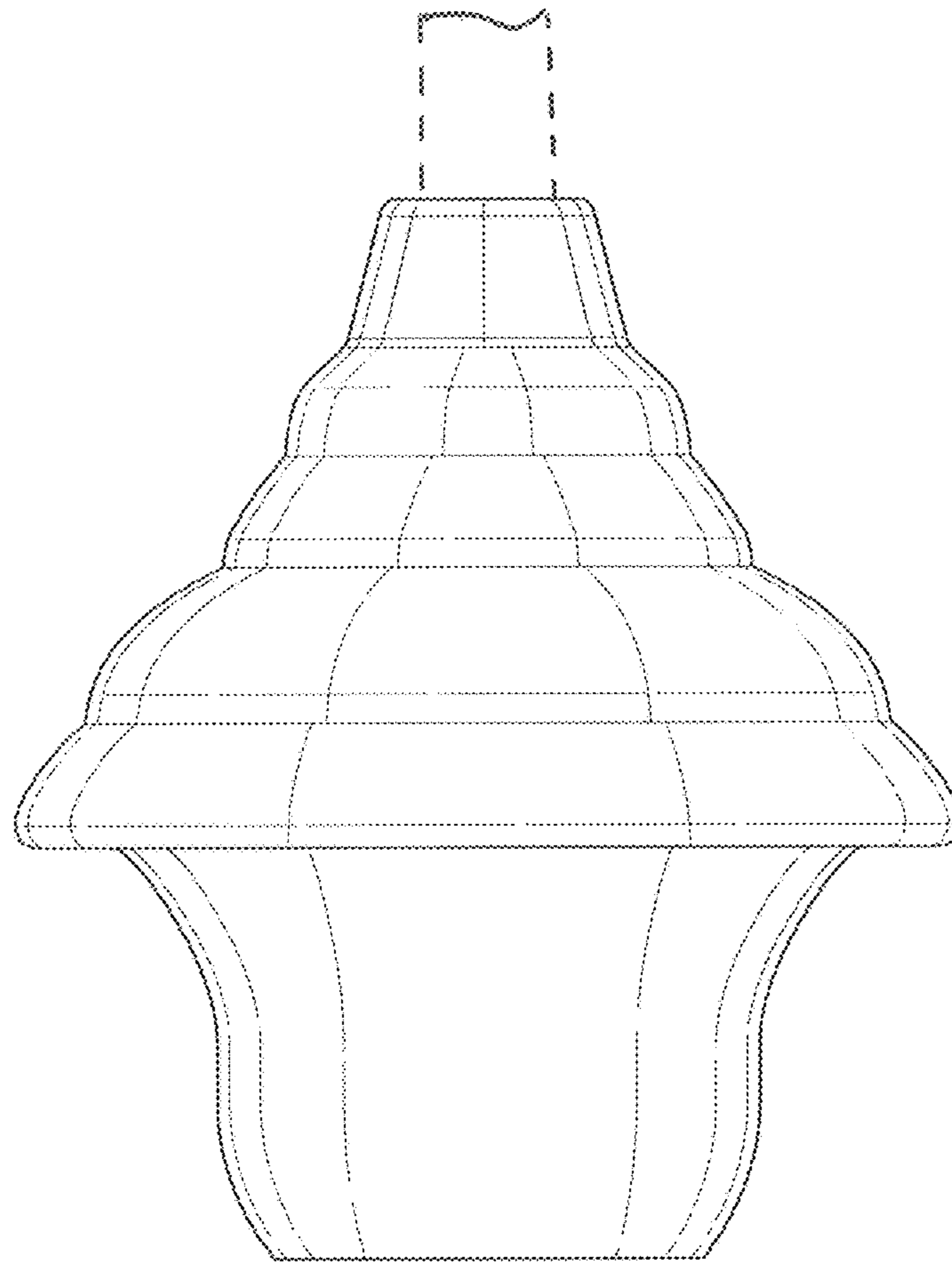


FIG. 3

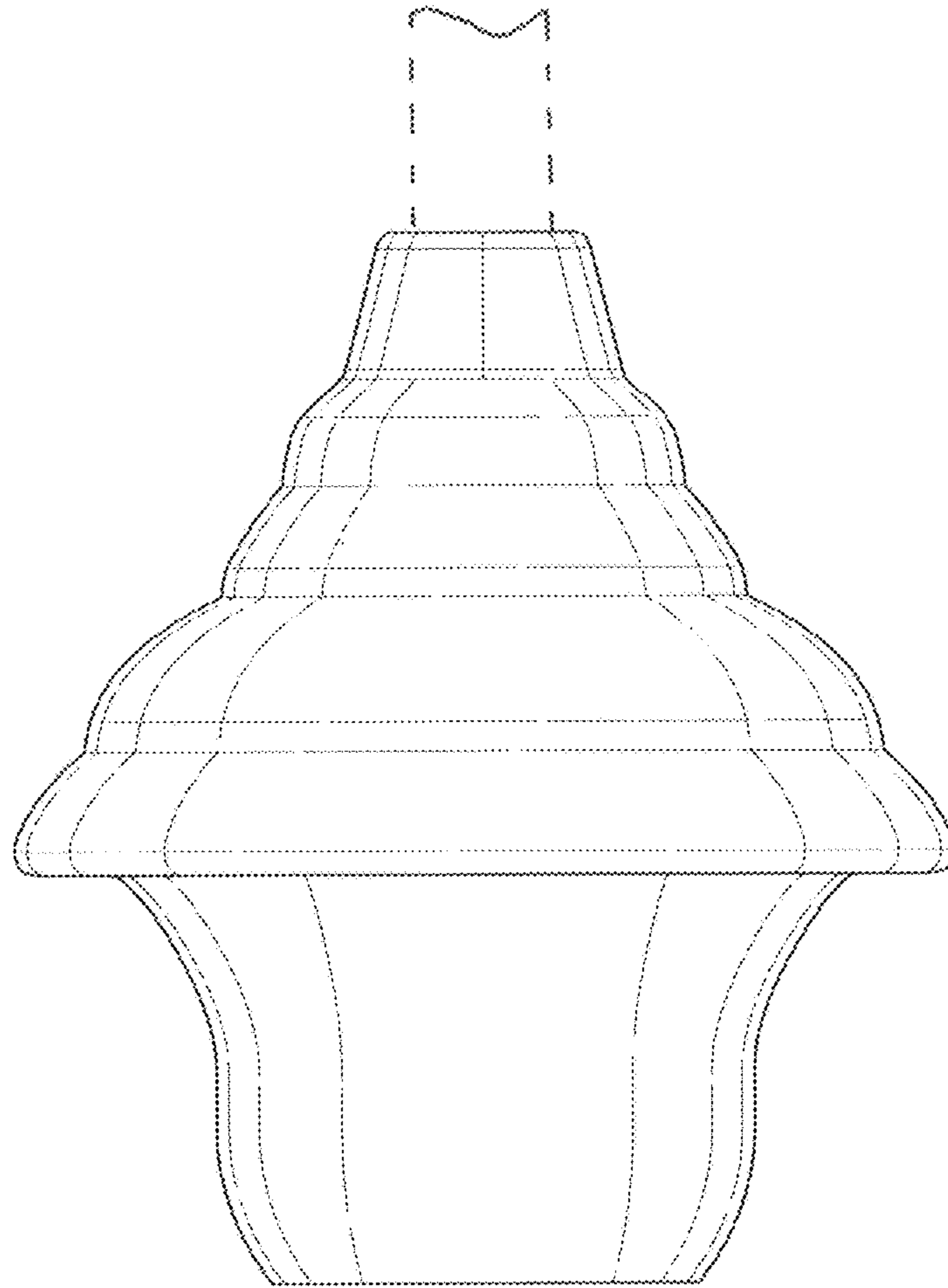


FIG. 4

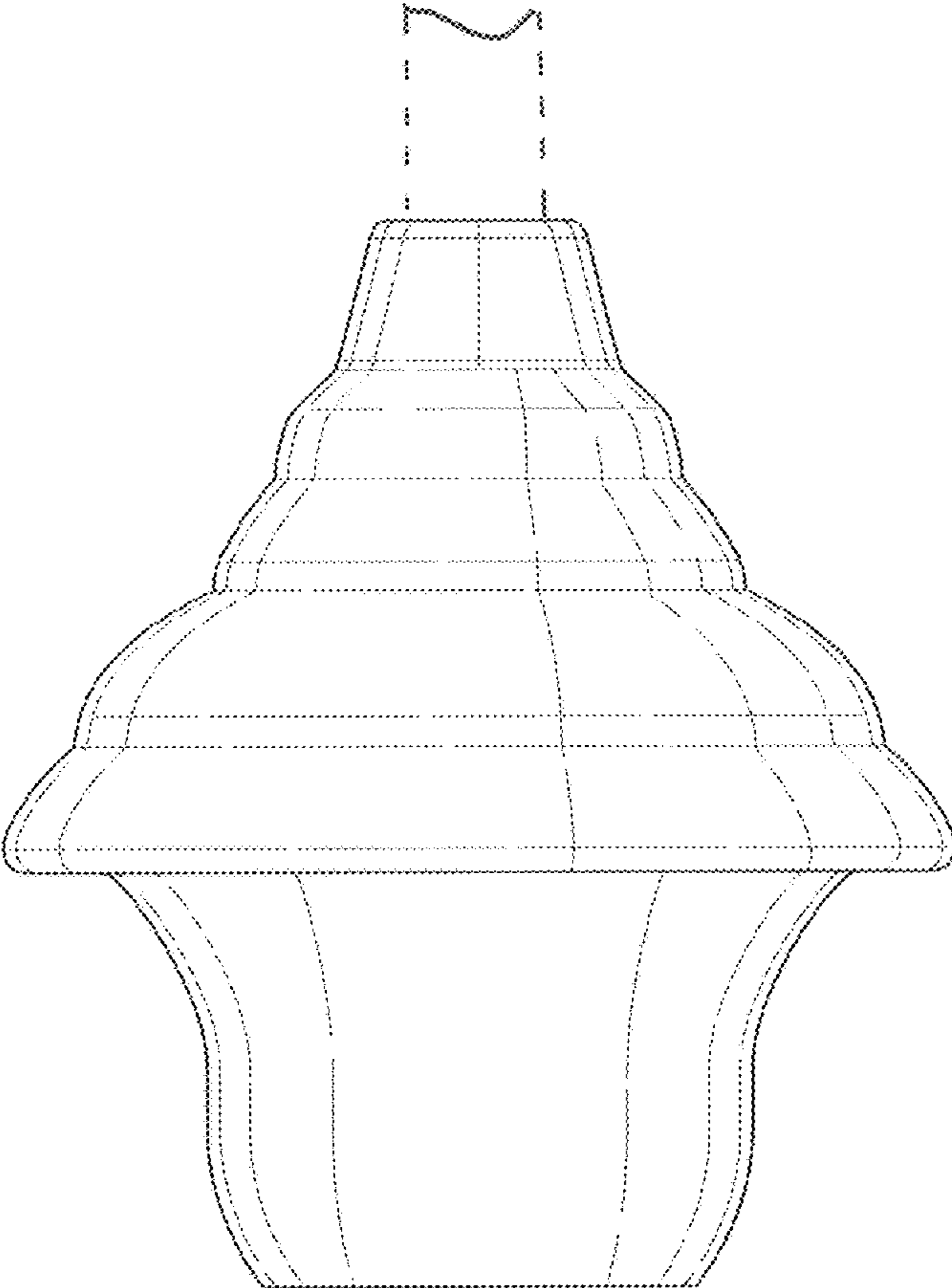


FIG. 5

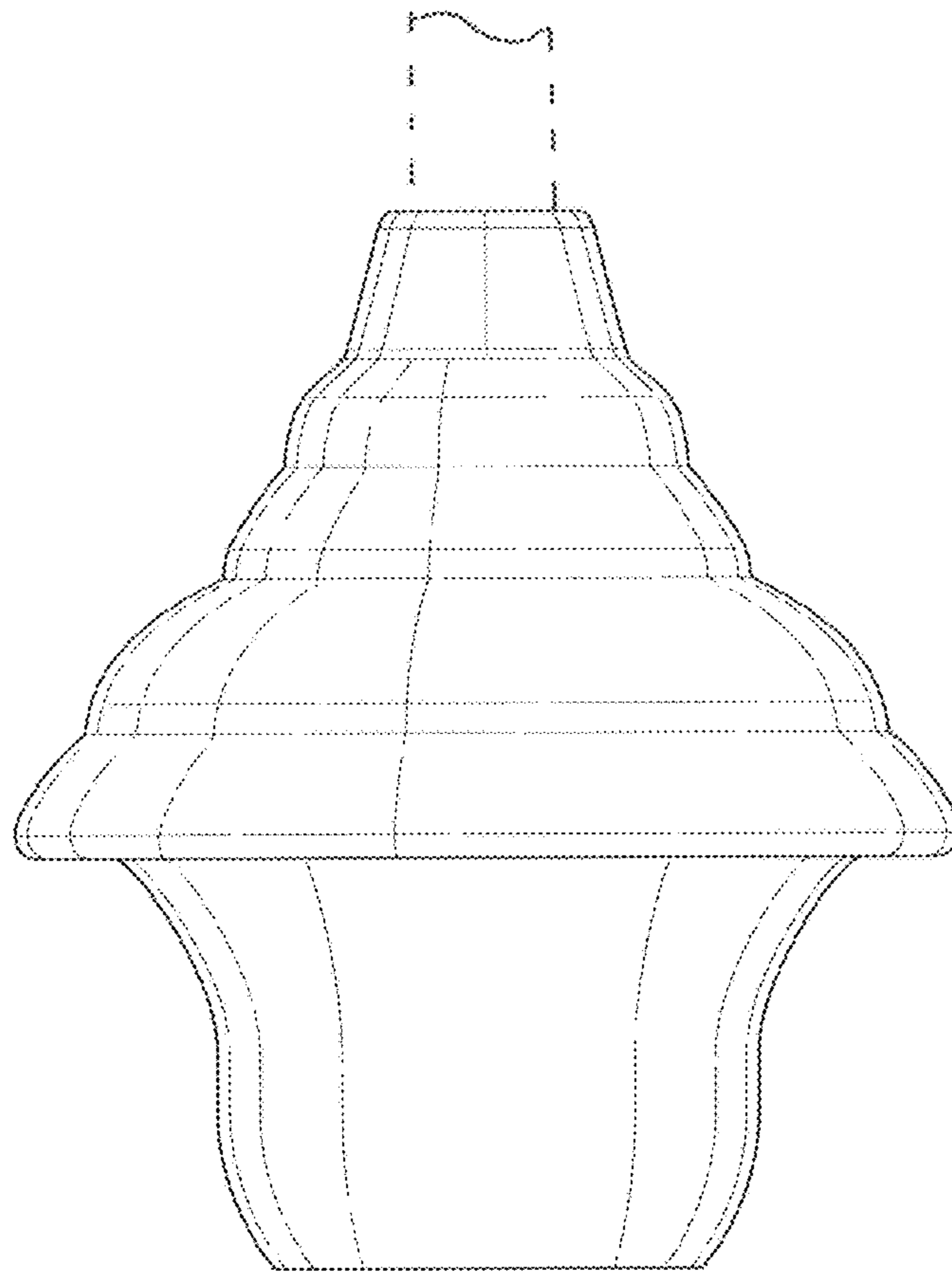


FIG. 6

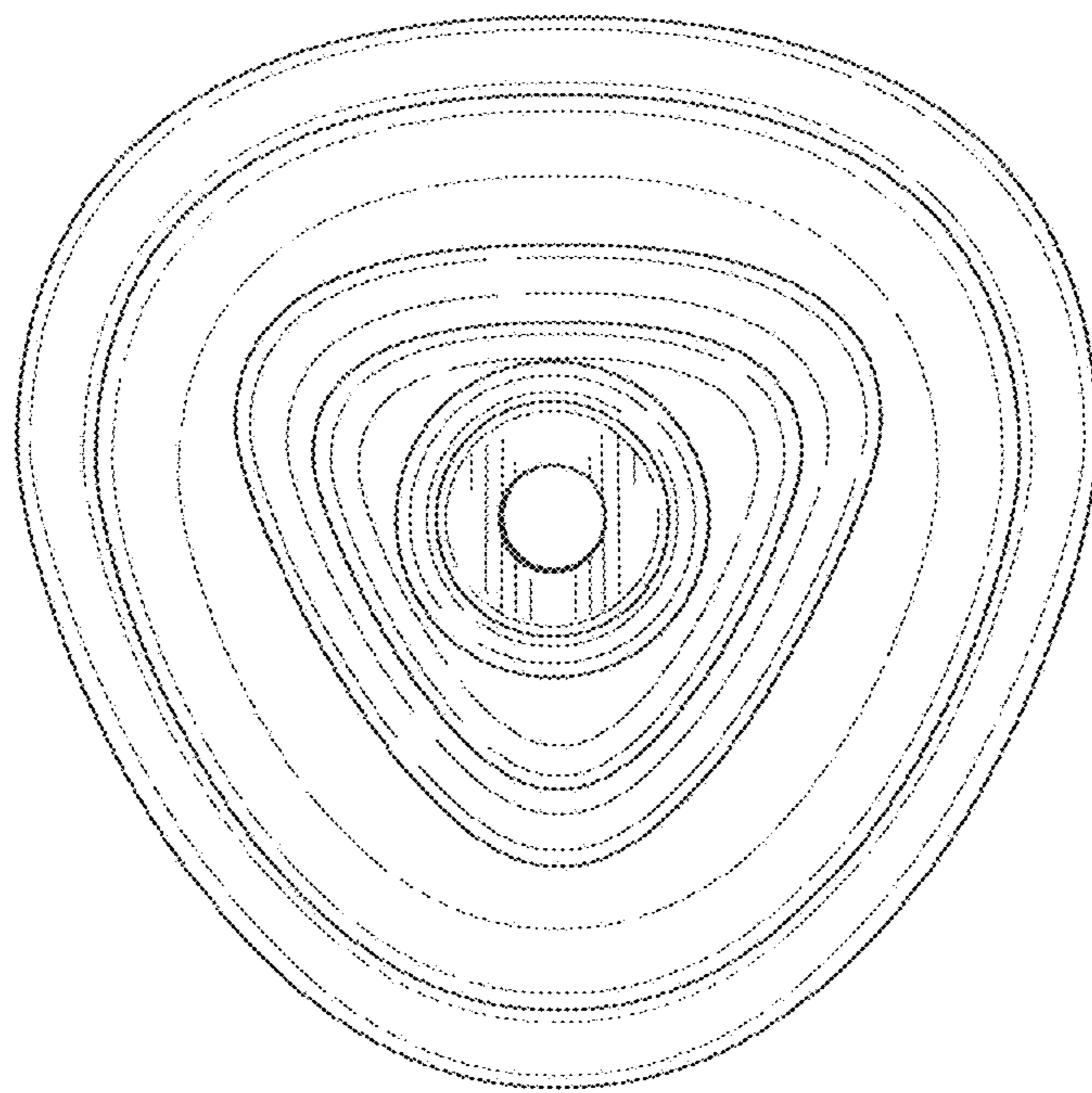


FIG. 7

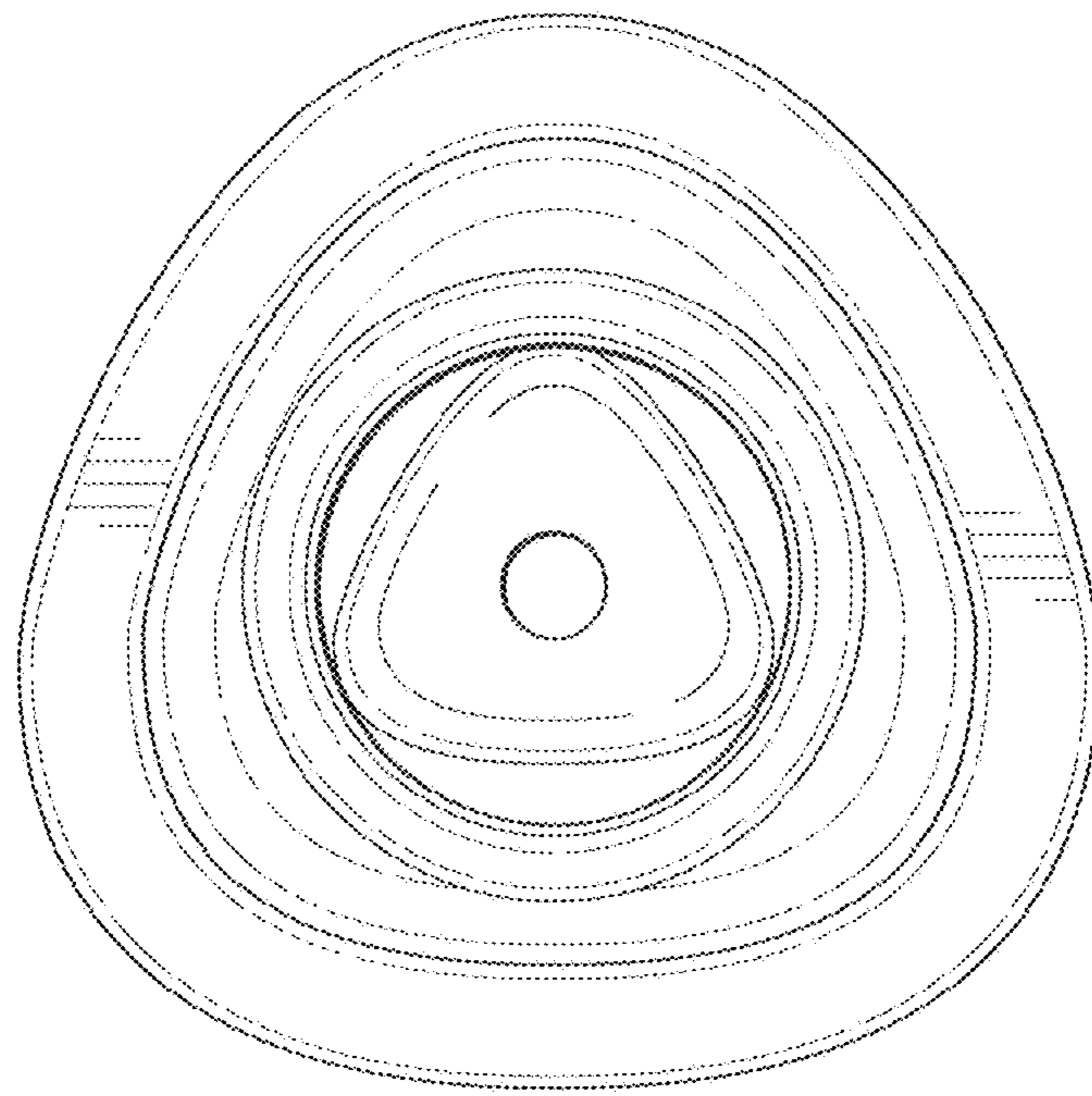


FIG. 8