



US00D857308S

(12) **United States Design Patent** (10) **Patent No.:** **US D857,308 S**  
**Bak** (45) **Date of Patent:** **\*\* Aug. 20, 2019**

(54) **PETS ERGONOMIC FEEDER**  
(71) Applicant: **B2B International Pty Ltd, St Leonards (AU)**  
(72) Inventor: **Joshua Jisoo Bak, Killara (AU)**  
(\*\*) Term: **15 Years**  
(21) Appl. No.: **29/691,566**

D227,231 S \* 6/1973 Stamper ..... 426/104  
D293,947 S \* 1/1988 Younker ..... D30/130  
D331,174 S \* 11/1992 Polski ..... D7/621  
D397,278 S \* 8/1998 Wang ..... D7/701  
D420,170 S \* 2/2000 Chen ..... D28/22  
D481,592 S \* 11/2003 Bulcher ..... D7/553.1  
D482,393 S \* 11/2003 Hui ..... D19/116  
D503,617 S \* 4/2005 Roth ..... D9/451  
D511,463 S \* 11/2005 Wolters ..... D9/611

(Continued)

(22) Filed: **May 17, 2019**  
(51) **LOC (12) Cl.** ..... **30-03**  
(52) **U.S. Cl.**  
USPC ..... **D30/133**  
(58) **Field of Classification Search**  
USPC ..... D30/133, 121, 128, 130, 132; 119/52.1, 119/55, 61.5, 61.6, 61.57, 61.56, 51.01, 119/51.5, 58, 60, 61.1, 61.2, 61.31, 61.54, 119/72, 74, 76, 81; D6/480-485, 564, D6/598, 316; 248/188; 312/204; 108/153.1-157; D11/134, 52, 82, 100, D11/127, 144, 149, 158, 205, 207, 217, D11/219, 224, 239, 14, 31; D21/617; D7/551.3, 544; D27/116; D20/30, 19, D20/24, 12, 42; 211/37, 38, 42  
CPC ..... A01K 5/00; A01K 5/01; A01K 5/0107; A01K 5/0114; A01K 5/0121; A01K 5/0128; A01K 5/0135; A01K 7/005; A01K 7/00  
See application file for complete search history.

**OTHER PUBLICATIONS**

Solid Bamboo Wood Cat Feeder Stand with Bowls, Product code 235-000000024, CatsPlay Cat Furniture Superstore online: <https://www.catsplay.com/solid-handcrafted-bamboo-wood-cat-feeder-stand-with-bowls>, Apr. 10 2019, 1 page. (Year: 2019).\*

*Primary Examiner* — Susan Moon Lee  
(74) *Attorney, Agent, or Firm* — KA Filing LLC; Wayne V. Harper

(57) **CLAIM**

I claim the ornamental design for a pets ergonomic feeder, as shown and described.

**DESCRIPTION**

FIG. 1 is an in-use top perspective view of a pets ergonomic feeder showing my new design;  
FIG. 2 is a top perspective view of the pets ergonomic feeder of FIG. 1;  
FIG. 3 is front elevation view thereof;  
FIG. 4 is a back elevation view thereof;  
FIG. 5 is a right side elevation view thereof;  
FIG. 6 is a left side elevation view thereof;  
FIG. 7 is a top plan view thereof; and,  
FIG. 8 is a bottom view thereof.

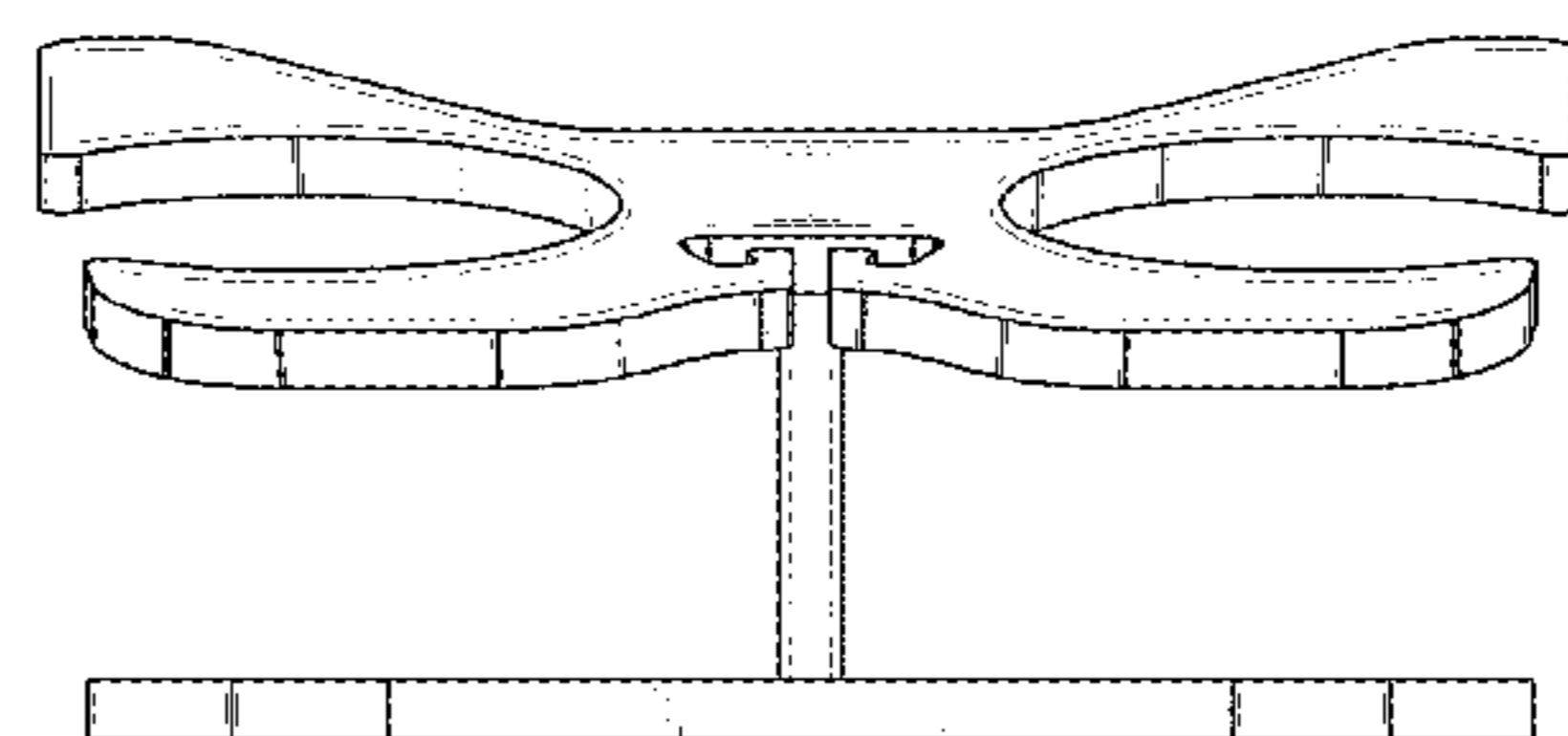
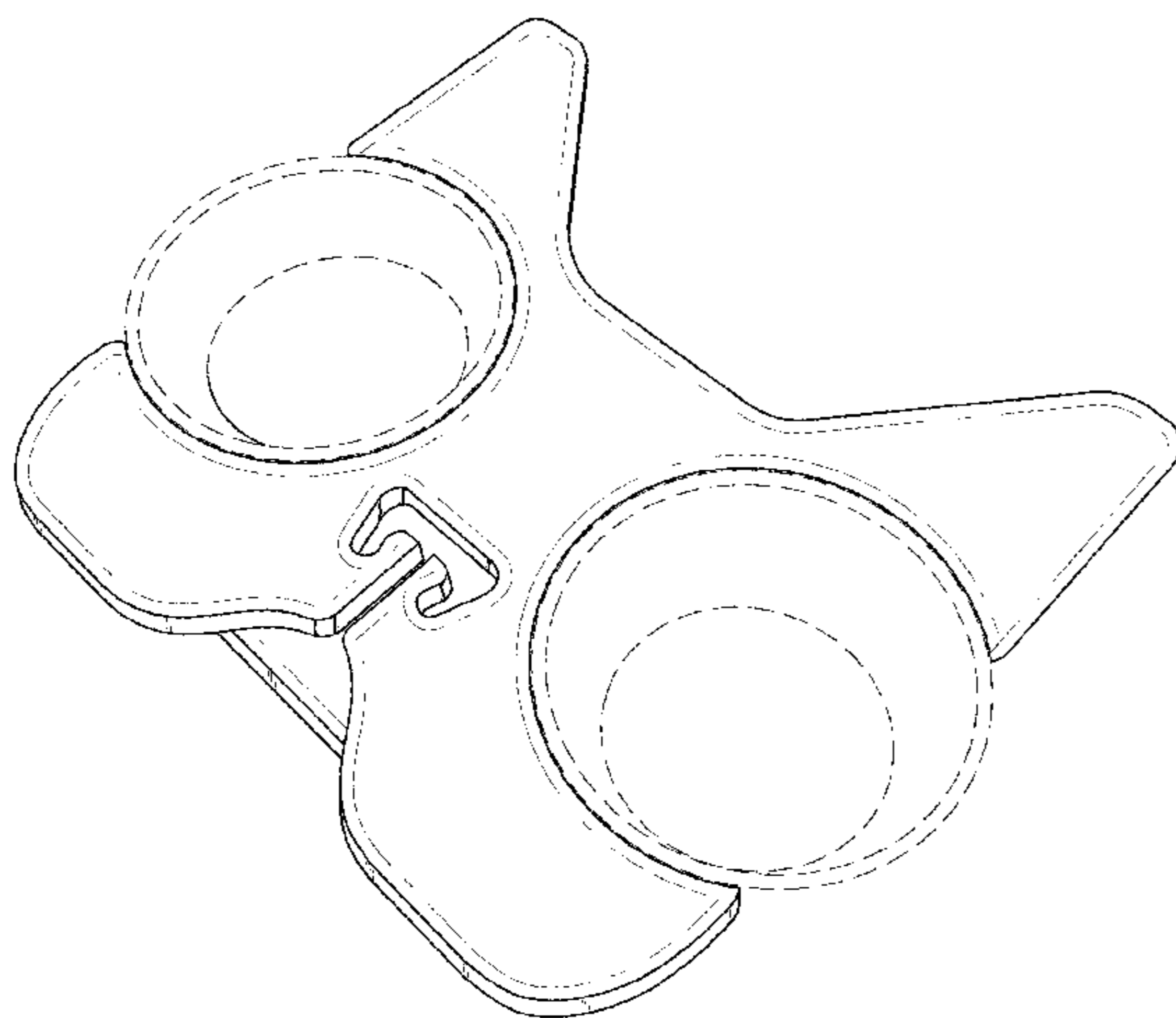
The broken line showing of bowls in FIG. 1 portrays exemplary components which might be used with the pets ergonomic feeder, for illustrative purposes, and forms no part of the design claim.

**1 Claim, 6 Drawing Sheets**

(56) **References Cited**

**U.S. PATENT DOCUMENTS**

D55,838 S \* 7/1920 Badgley ..... D21/425  
D107,402 S \* 12/1937 Bates ..... D28/80  
D151,473 S \* 10/1948 Stahler ..... D30/130  
D171,644 S \* 3/1954 Etienne ..... 248/908  
D185,809 S \* 8/1959 Myers et al. .... D7/708  
3,085,545 A \* 4/1963 Ore ..... A01M 29/06  
116/22 A  
D205,102 S \* 6/1966 Pawelka et al. .... D10/46



(56)

References Cited

U.S. PATENT DOCUMENTS

7,204,202 B2 *	4/2007	Behun	.....	A01K 5/0128	119/61.5	9,226,478 B1 *	1/2016	Uhl	.....	A01K 5/0114
D541,994 S *	5/2007	Dana	.....	D30/129		D756,571 S *	5/2016	Colvin	.....	D30/121
D566,346 S *	4/2008	Crone	.....	D30/160		D770,280 S *	11/2016	Katopis	.....	D9/451
D630,070 S *	1/2011	Mazur	.....	D8/38		D772,493 S *	11/2016	Wu	.....	D30/129
D676,710 S *	2/2013	Kwok	.....	D7/544		D772,494 S *	11/2016	Wu	.....	D30/133
D683,190 S *	5/2013	Shields	.....	D30/129		D774,907 S *	12/2016	Planer	.....	D9/438
D683,592 S *	6/2013	Shields	.....	D30/129		D784,631 S *	4/2017	Smesny	.....	D30/121
D684,211 S *	6/2013	Roth	.....	D19/2		D792,661 S *	7/2017	Wold	.....	D30/121
8,464,659 B1 *	6/2013	Batman	.....	A01K 5/0114	119/61.56	D815,544 S *	4/2018	Soegyanto	.....	D9/702
						D823,553 S *	7/2018	Liu	.....	D30/130
D690,561 S *	10/2013	Sanders	.....	D24/198		10,111,402 B2 *	10/2018	Takagi	.....	A01K 1/0114
D695,974 S *	12/2013	Young	.....	D30/130		2006/0000418 A1 *	1/2006	Kubala	.....	A01K 5/0114
D701,909 S *	4/2014	Pascale	.....	D19/99						119/53
D711,052 S *	8/2014	Lee	.....	A01K 5/0114		2016/0088815 A1 *	3/2016	Maroske	.....	A01K 5/0114
										119/51.01
D743,805 S *	11/2015	Glass	.....	D9/431		2016/0135420 A1 *	5/2016	Takagi	.....	A01K 1/0114
										119/166
						2016/0251134 A1 *	9/2016	Takagi	.....	A01K 1/0107
										119/166

\* cited by examiner

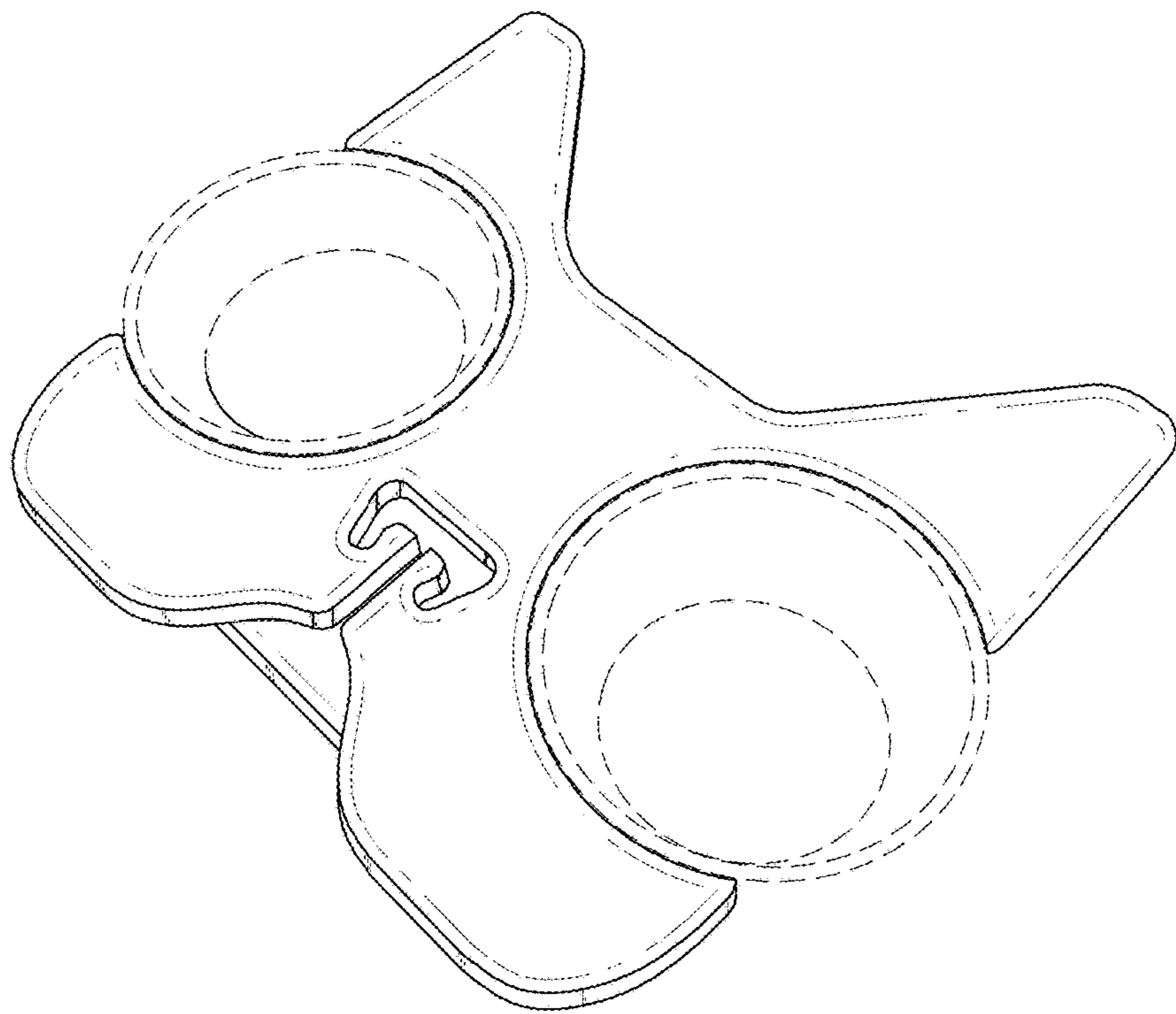


FIG. 1

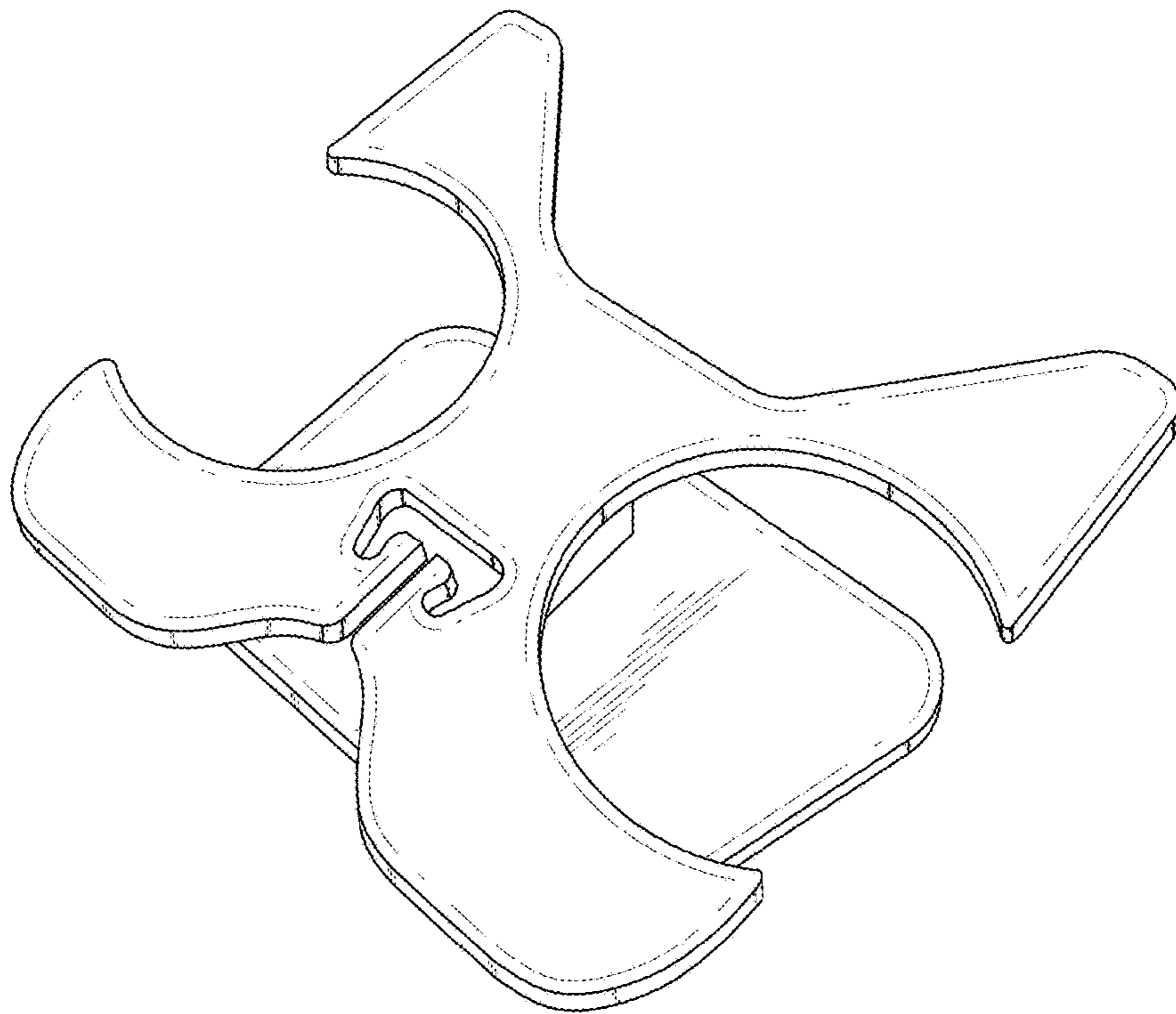


FIG. 2

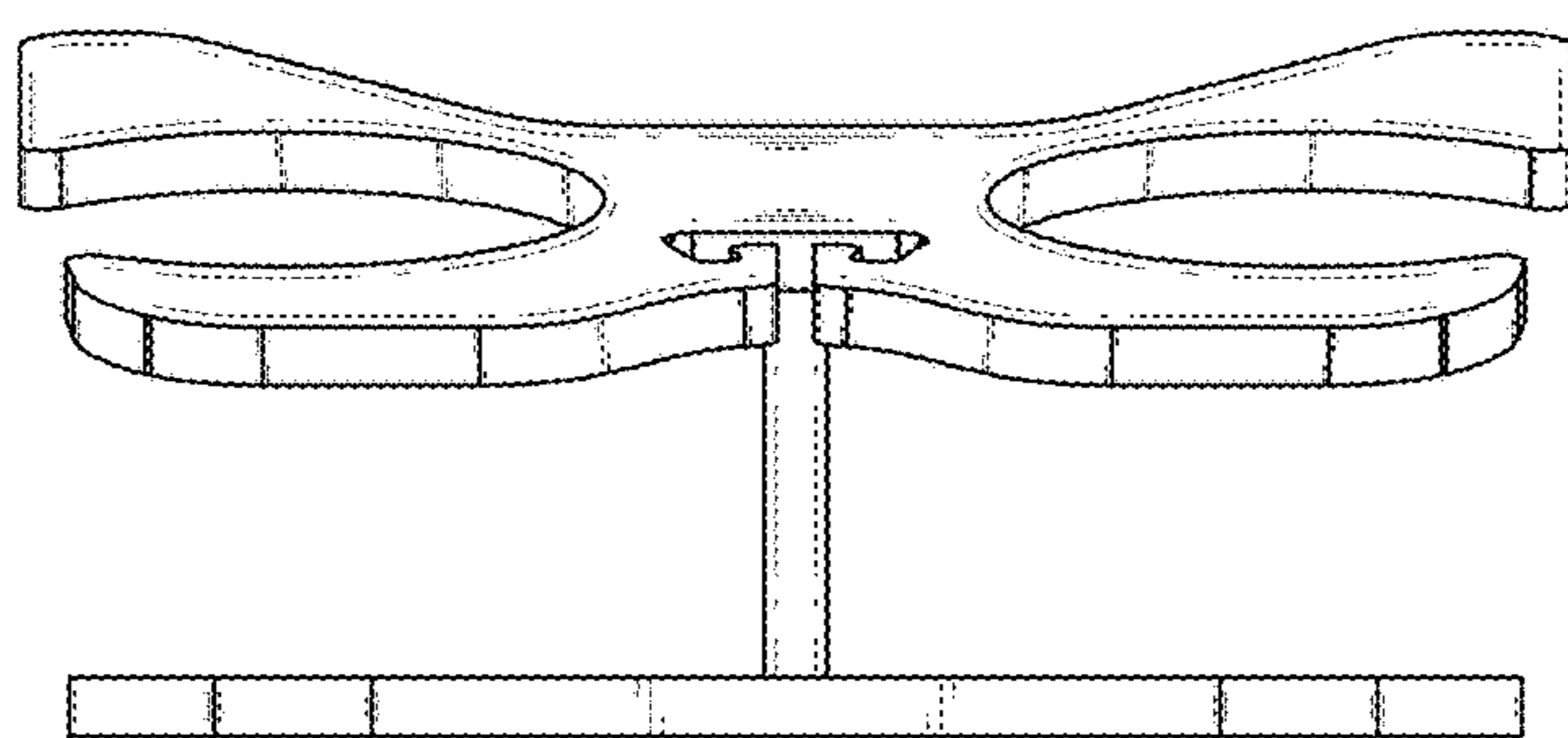


FIG. 3

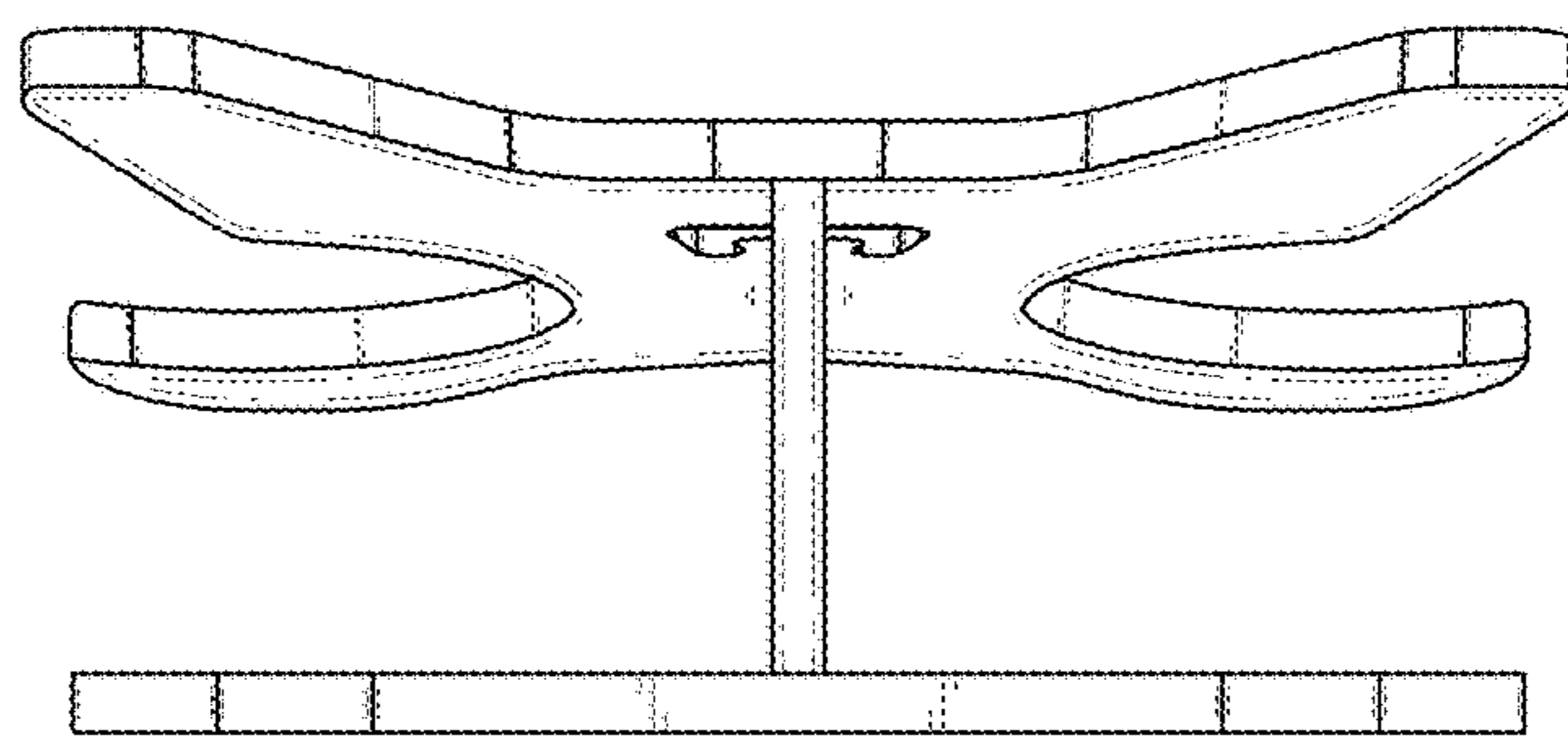


FIG. 4

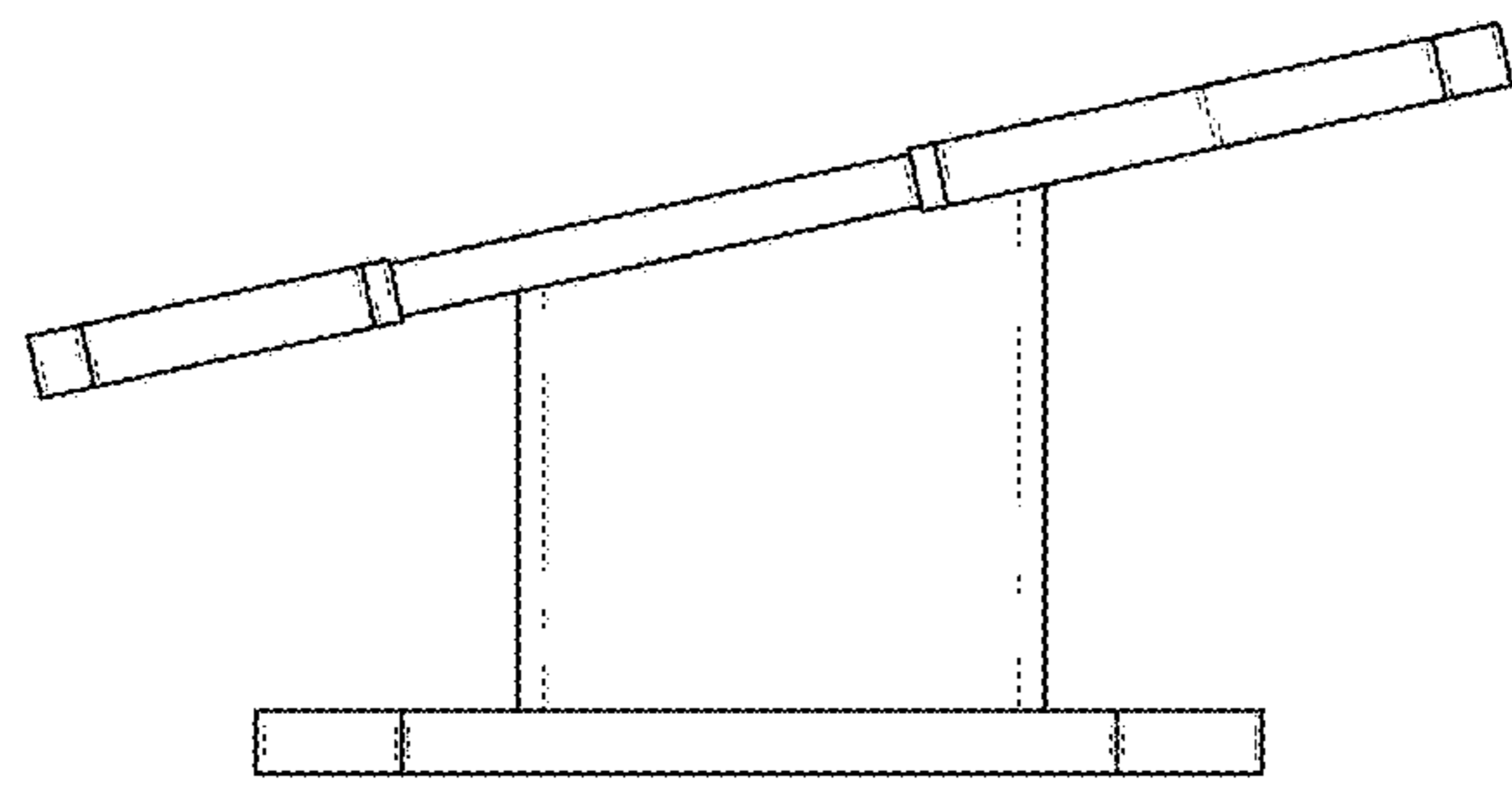


FIG. 5

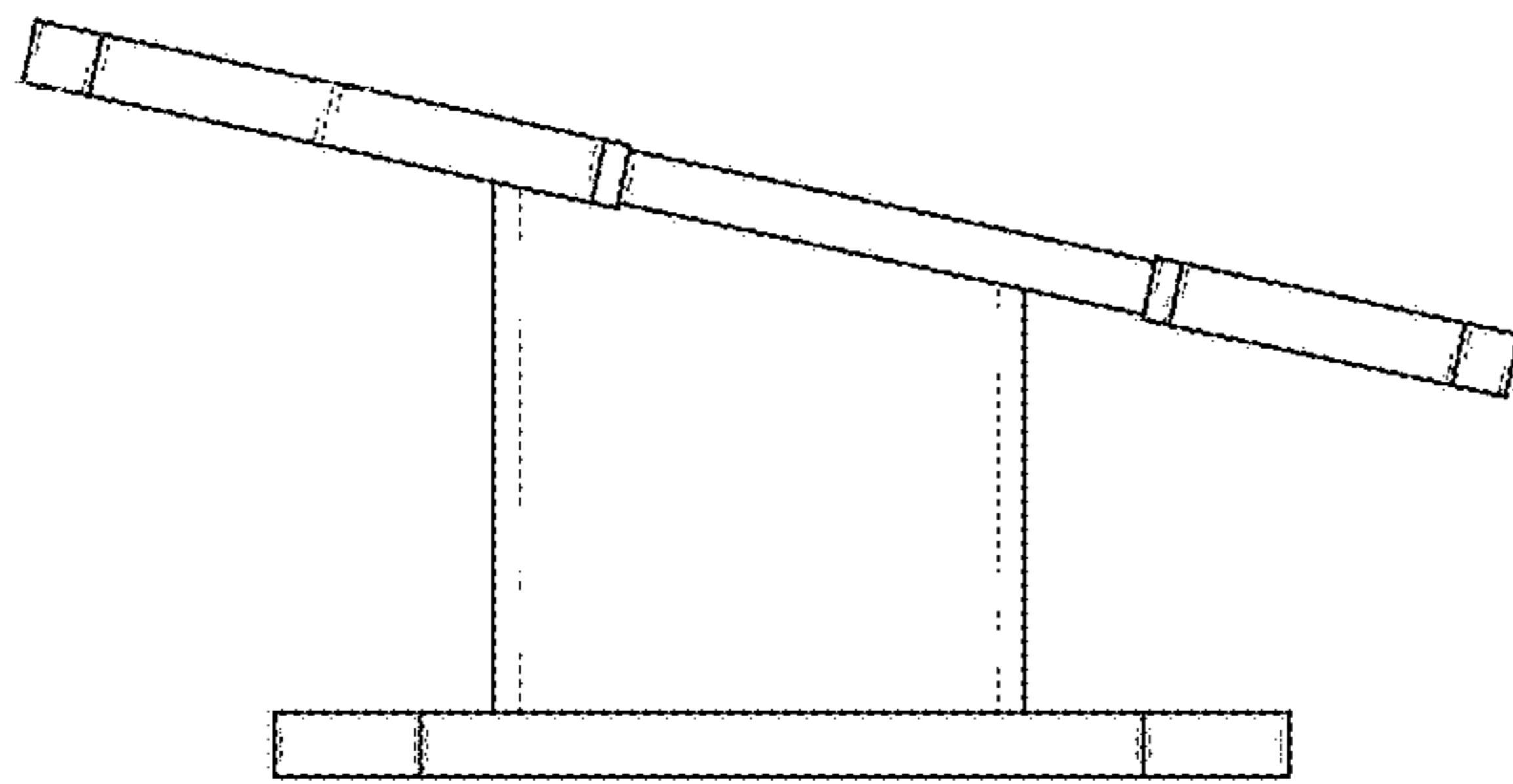


FIG. 6

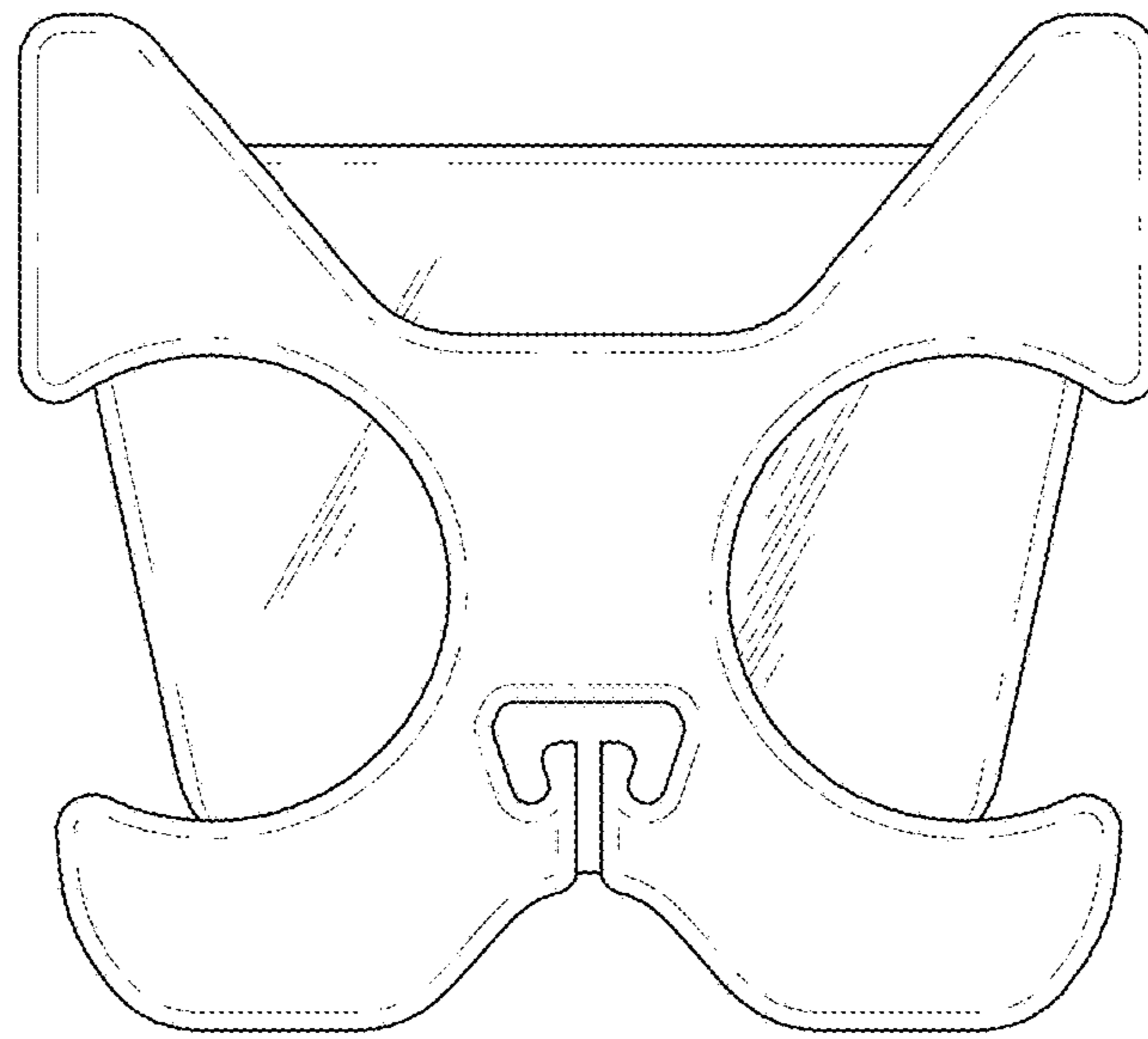


FIG. 7

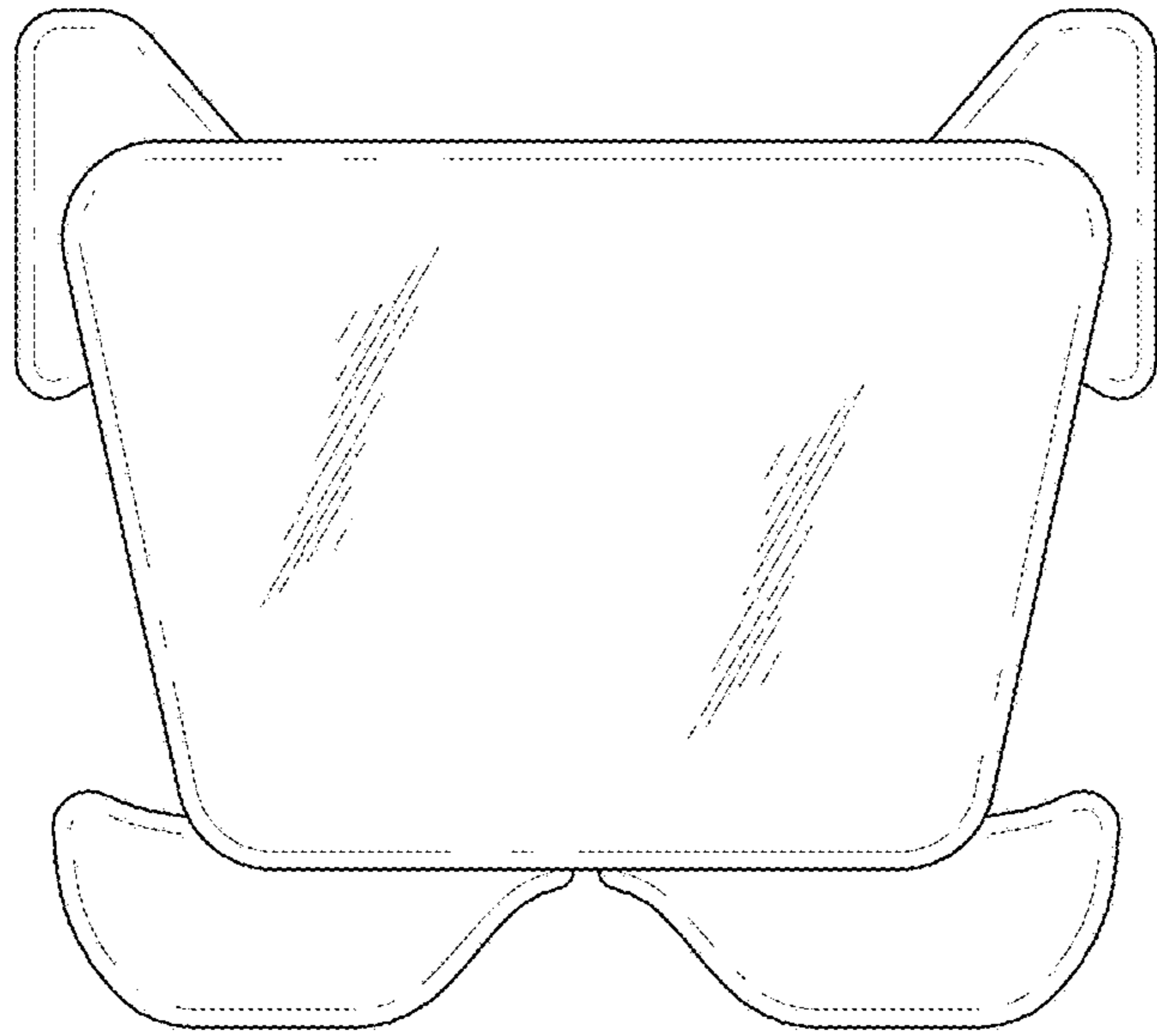


FIG. 8