



US00D857307S

(12) **United States Design Patent**
Miyawaki et al.

(10) **Patent No.:** **US D857,307 S**

(45) **Date of Patent:** **** Aug. 20, 2019**

- (54) **PET FEEDING BOWL**
- (71) Applicant: **IRIS OHYAMA INC.**, Sendai-shi, Miyagi (JP)
- (72) Inventors: **Masayuki Miyawaki**, Kakuda (JP); **Wakana Tajima**, Kakuda (JP)
- (73) Assignee: **IRIS OHYAMA INC.**, Sendai-shi (JP)
- (**) Term: **15 Years**
- (21) Appl. No.: **29/642,037**
- (22) Filed: **Mar. 27, 2018**
- (30) **Foreign Application Priority Data**

Oct. 3, 2017 (JP) 2017-021856

(51) **LOC (12) Cl.** **30-03**

(52) **U.S. Cl.**
USPC **D30/129**

(58) **Field of Classification Search**
 USPC D30/121, 122, 129-133; 119/61.5, 51.01, 119/61.56, 51.03, 59, 62, 63, 51.5, 57.8, 119/74, 61.54, 61.55; 312/204; 248/151, 248/188; 108/156, 153.1-157; 220/23.87, 630, 737, 743, 9.4, 495.01, 220/574, 212, 255, 23.83; 206/515; D7/586, 543, 550.1, 587, 505, 584, 545, D7/500, 553.1-553.8, 546, 555, 556, 504, D7/565, 562, 602; D9/429; 43/109; D22/122; 99/430, DIG. 15
 CPC A01K 5/0114; A01K 5/01; A01K 5/0135; A01K 7/005; A01K 7/00; A01K 7/02; A01K 5/0142; A01K 5/0121; A01K 5/0128; A01K 27/004; A01K 39/014; A01K 39/00; A01K 39/02; A01K 39/0113; A47J 43/0727; A01M 29/34; B29C 65/48; B65D 81/36
 See application file for complete search history.

(56) **References Cited**

U.S. PATENT DOCUMENTS

- 2,554,086 A * 5/1951 Block A01K 5/0135
119/51.5
- D191,058 S * 8/1961 Jones D7/584

- D221,099 S * 7/1971 Alparone D7/584
- 3,722,476 A * 3/1973 Van Ness A01K 5/0114
119/61.54
- 3,838,772 A * 10/1974 Lang B65D 21/0233
206/520
- 3,883,037 A * 5/1975 Seiller A47B 87/0269
206/5
- 4,127,189 A * 11/1978 Shumrak B65D 1/34
206/520

(Continued)

OTHER PUBLICATIONS

An Office Action; "Notice of Allowance", issued by the Japanese Patent Office on May 15, 2018, which corresponds to Japanese Design Application No. 2017-021856; with English language Concise Explanation.

(Continued)

Primary Examiner — Susan Moon Lee
(74) *Attorney, Agent, or Firm* — Studebaker & Brackett PC

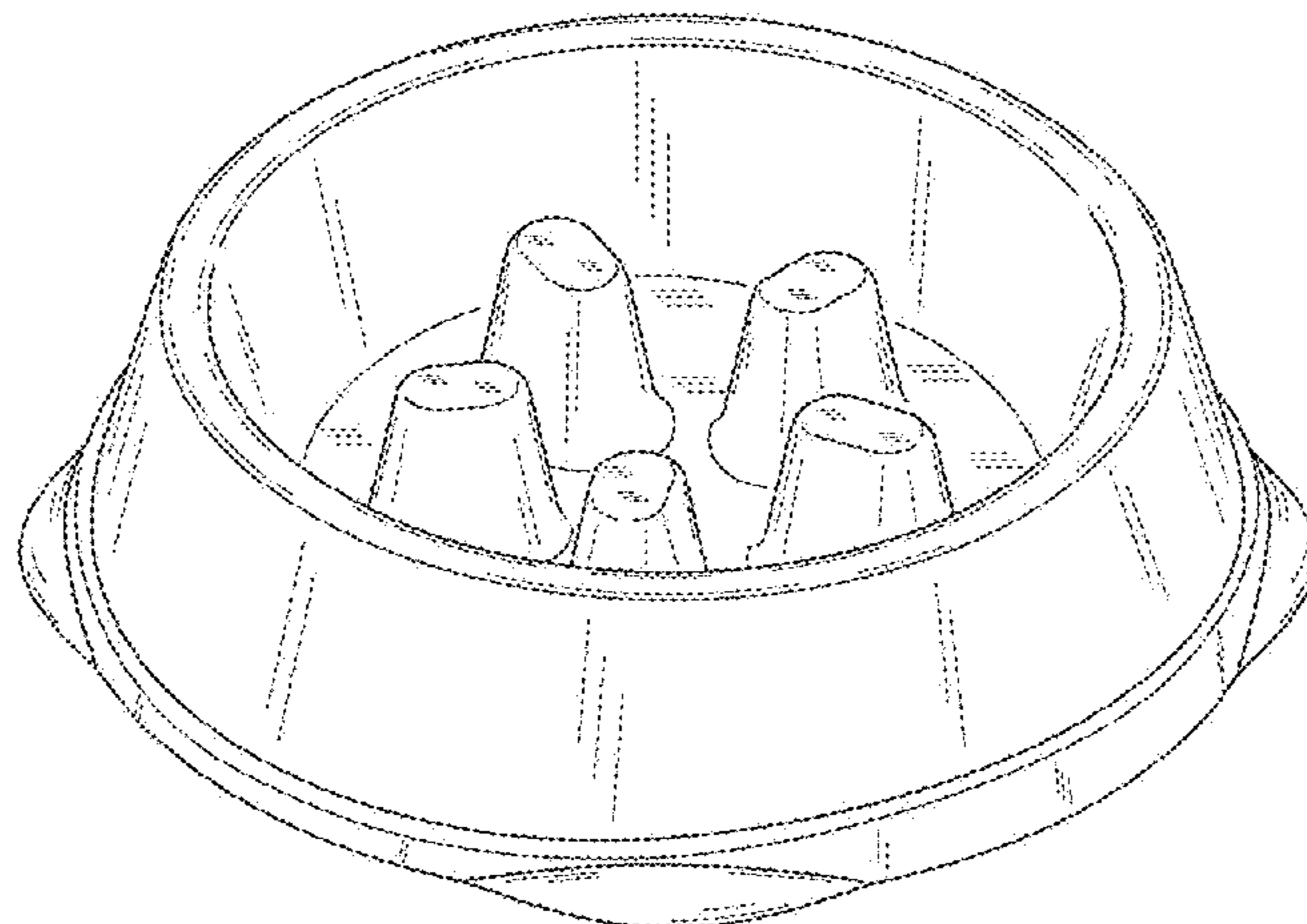
(57) **CLAIM**

The ornamental design for a pet feeding bowl, as shown and described.

DESCRIPTION

FIG. 1 is a front, top and right-side perspective view of a pet feeding bowl showing our new design;
 FIG. 2 is a front view thereof, with a rear view being a mirror image thereof;
 FIG. 3 is a top view thereof;
 FIG. 4 is a bottom view thereof;
 FIG. 5 is a right-side view thereof, with a left-side view being a mirror image thereof;
 FIG. 6 is a cross-sectional view taken along line 6-6 in FIG. 2; and,
 FIG. 7 is a rear, bottom and left-side perspective view thereof.

1 Claim, 6 Drawing Sheets



(56)

References Cited

U.S. PATENT DOCUMENTS

4,208,836 A * 6/1980 Kramer A47G 7/08
156/89.11
D267,221 S * 12/1982 Williams 426/523
4,464,405 A * 8/1984 De Christopher A21B 3/13
425/395
D283,496 S * 4/1986 Pisarkiewicz D11/164
D304,536 S * 11/1989 Blaser D7/584
5,094,032 A * 3/1992 Byland A01G 9/021
47/71
D418,367 S * 1/2000 Thomas D7/504
D446,362 S * 8/2001 Choi A01K 5/0135
D30/129
D459,841 S * 7/2002 Ross D30/129
D477,171 S * 7/2003 Gabbour D6/582
D485,208 S * 1/2004 Fan D11/143
D490,745 S * 6/2004 Fan D11/143
D491,322 S * 6/2004 Wolf D30/129
D531,081 S * 10/2006 Fan D11/143
7,207,291 B1 * 4/2007 Watts A01K 5/0114
119/61.5
D563,608 S 3/2008 Kitchen
D590,109 S * 4/2009 Anderson D30/129
D600,861 S * 9/2009 Sin D30/129
D636,944 S * 4/2011 Anderson D30/129
D648,904 S * 11/2011 Tedaldi A01K 1/0135
D30/129
D654,230 S * 2/2012 Tedaldi D30/129
D698,095 S * 1/2014 Paculdo D30/121
D698,096 S * 1/2014 Paculdo D30/121
D699,009 S * 2/2014 Hansen D30/121
D706,000 S * 5/2014 Martinez D30/121
D706,001 S * 5/2014 Hansen D30/121
D706,495 S * 6/2014 Hansen D30/121
D717,006 S * 11/2014 Alfonso D30/129
D741,024 S * 10/2015 Liu D30/129
D758,674 S * 6/2016 Youn D30/129
9,545,081 B2 * 1/2017 Nolan A01K 15/02
9,717,215 B2 * 8/2017 Hsu A01K 5/0114
D819,278 S * 5/2018 Watanabe D30/129
2002/0017056 A1 * 2/2002 Fan A01G 9/04
47/66.6
2002/0185073 A1 * 12/2002 Fullerton A01K 5/01
119/51.01
2005/0039689 A1 * 2/2005 Mossmer A01K 5/0128
119/61.5

2006/0005774 A1 * 1/2006 Newman Bornhofen
A01K 5/0114
119/61.5
2006/0213447 A1 * 9/2006 Kitchen A01K 5/0114
119/61.5
2006/0231039 A1 * 10/2006 Abinanti A01K 5/0114
119/61.56
2008/0053374 A1 * 3/2008 Kerrigan A01K 5/0114
119/51.03
2008/0072829 A1 * 3/2008 Kerrigan A01K 5/0114
119/61.5
2008/0141945 A1 * 6/2008 Markham A01K 5/0114
119/61.5
2009/0025644 A1 * 1/2009 Ebert A01K 5/01
119/61.5
2009/0126641 A1 * 5/2009 Anderson A01K 5/0114
119/61.5
2010/0012042 A1 * 1/2010 Lee A01K 5/01
119/61.5
2011/0308470 A1 * 12/2011 Vermeegen A01K 5/0114
119/51.5
2013/0125823 A1 * 5/2013 Simon A01K 5/0114
119/61.5
2014/0158054 A1 * 6/2014 Clarke A01K 5/0114
119/51.01
2014/0373790 A1 * 12/2014 Asimou A01K 5/0121
119/61.5
2015/0068461 A1 * 3/2015 Lindskov A01K 5/0114
119/51.01
2016/0242385 A1 * 8/2016 Parness A01K 5/0114
2016/0255813 A1 * 9/2016 Wolfe, Jr. A01K 15/026
2017/0348082 A1 * 12/2017 Ogleby A01K 5/0114
2018/0133991 A1 * 5/2018 Tsengas C25D 7/00
2018/0368357 A1 * 12/2018 Yang A01K 5/0114

OTHER PUBLICATIONS

Dogyman Hayashi Co., Ltd.; publications on website, (Japan Patent Office Design Patent Department, publicly known reference No. HJ25065178) Date unknown.
Amazon.com, Inc. publications on website, (Japan Patent Office Design Patent Department, publicly known reference No. HJ 28060106). May 15, 2018.

* cited by examiner

FIG. 1

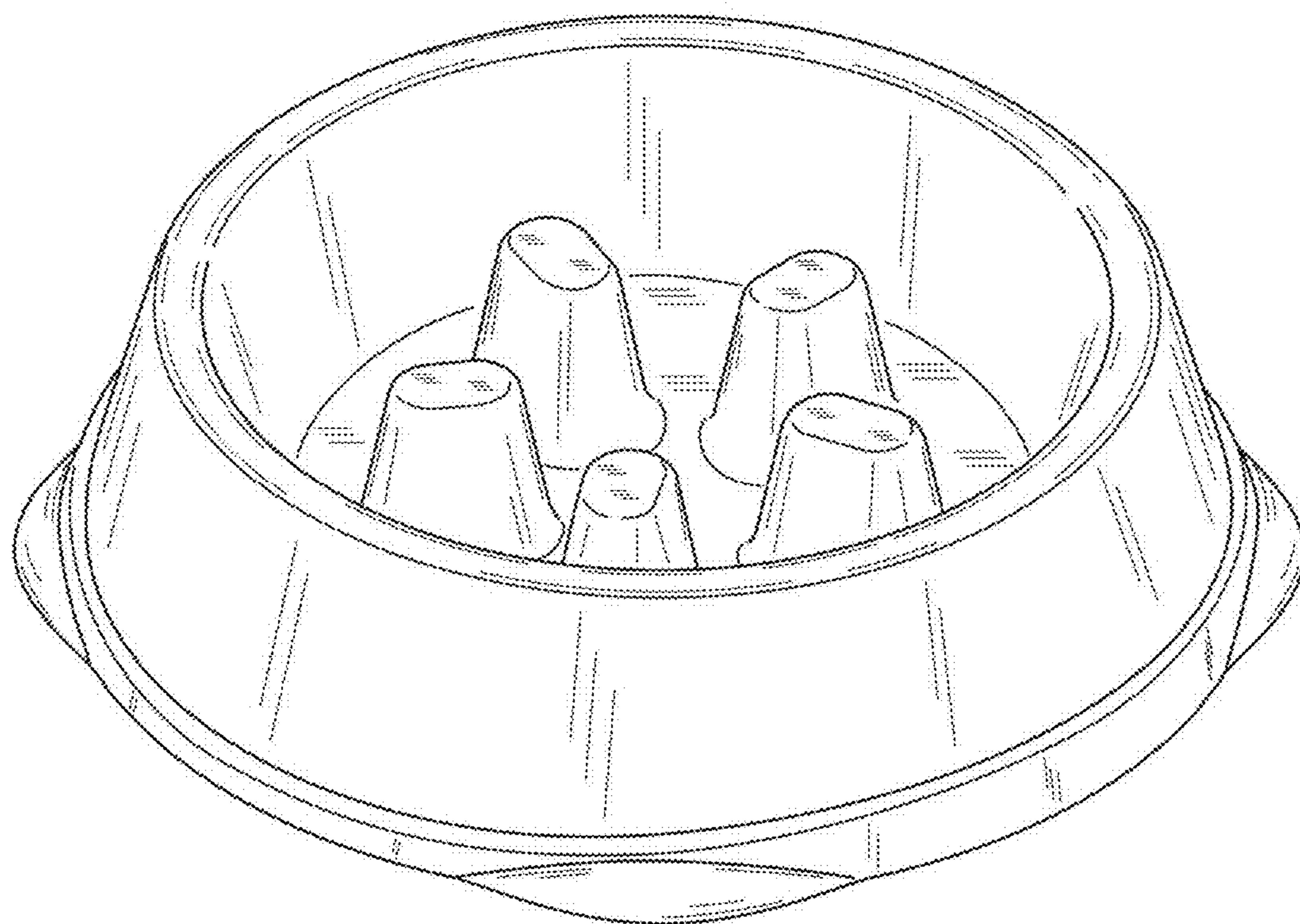


FIG. 2

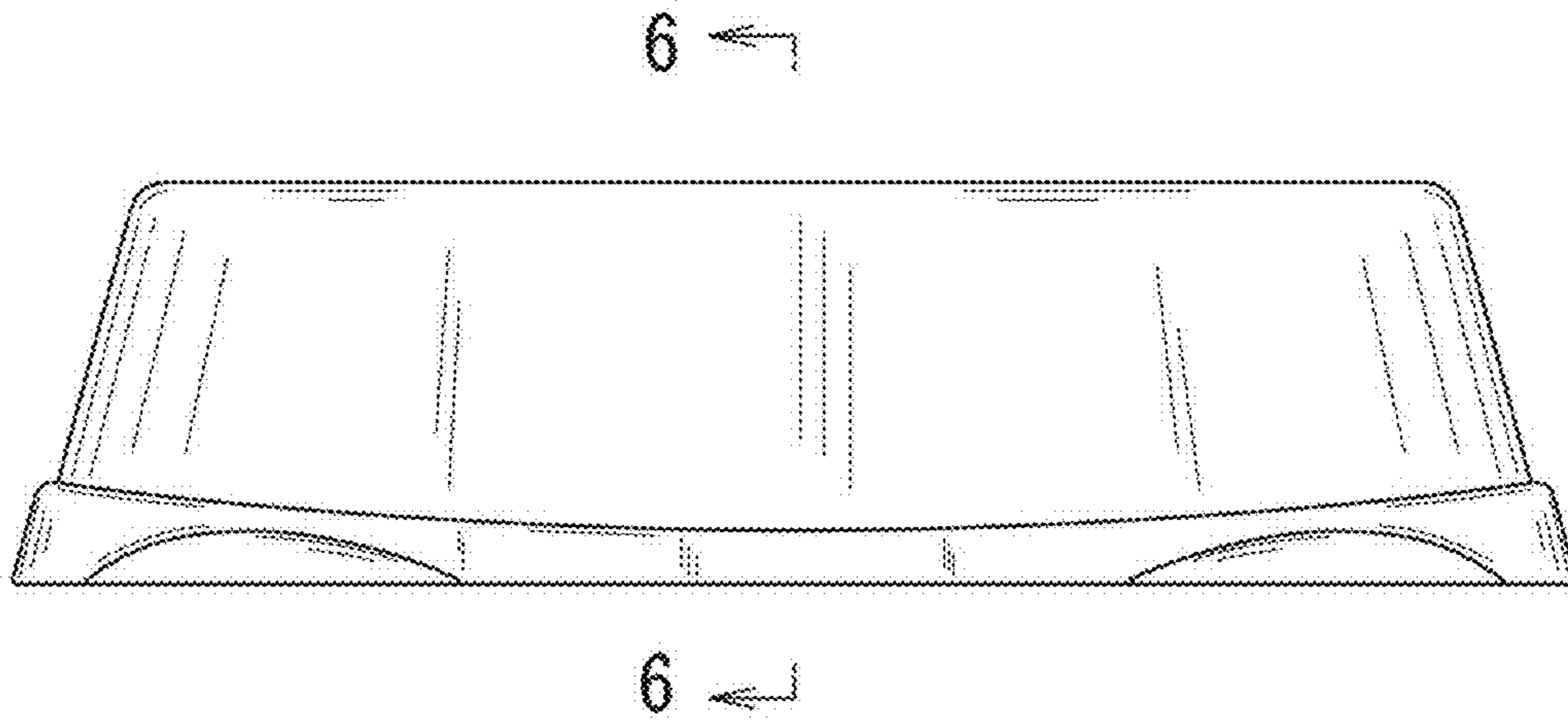


FIG. 3

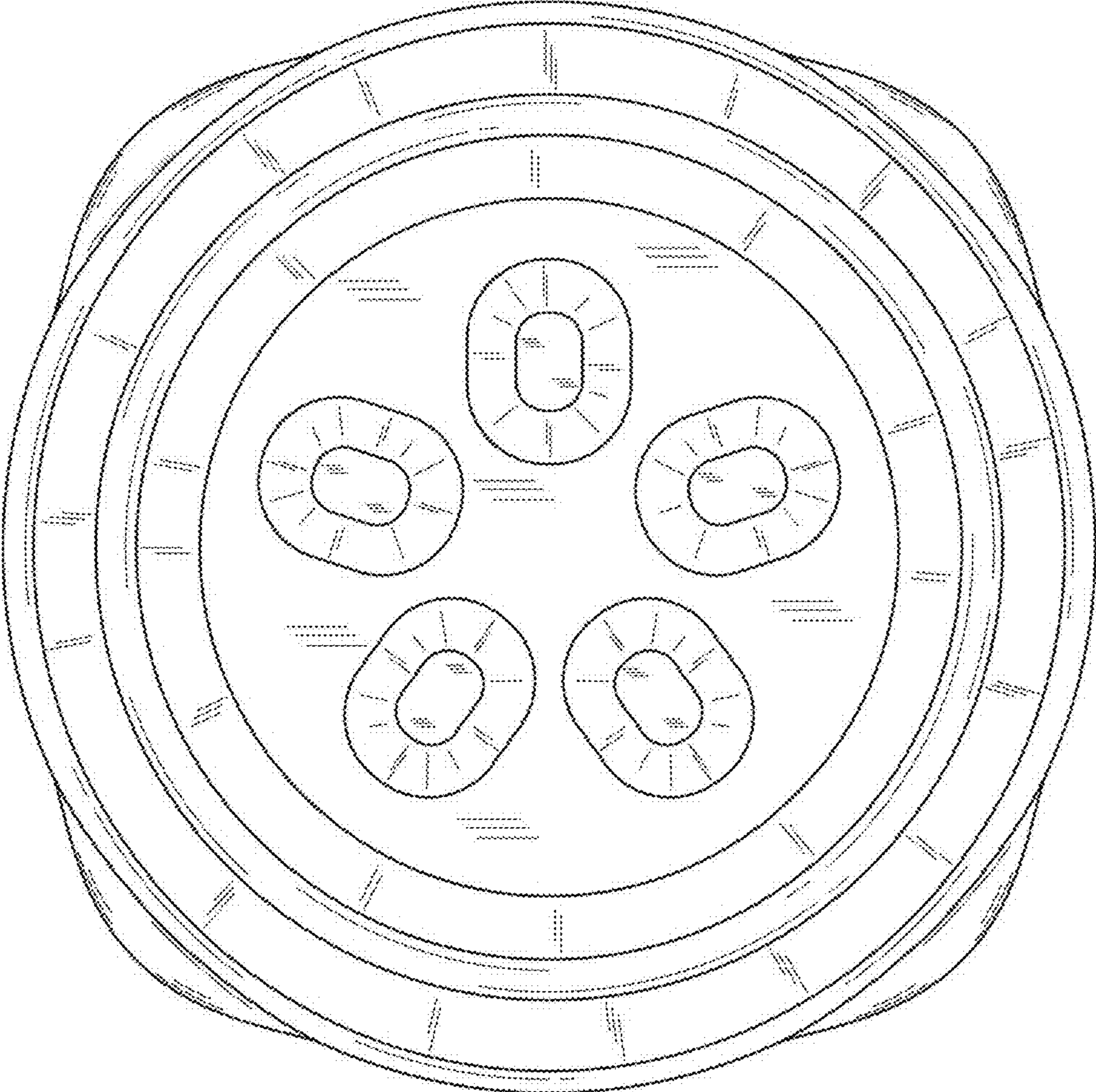


FIG. 4

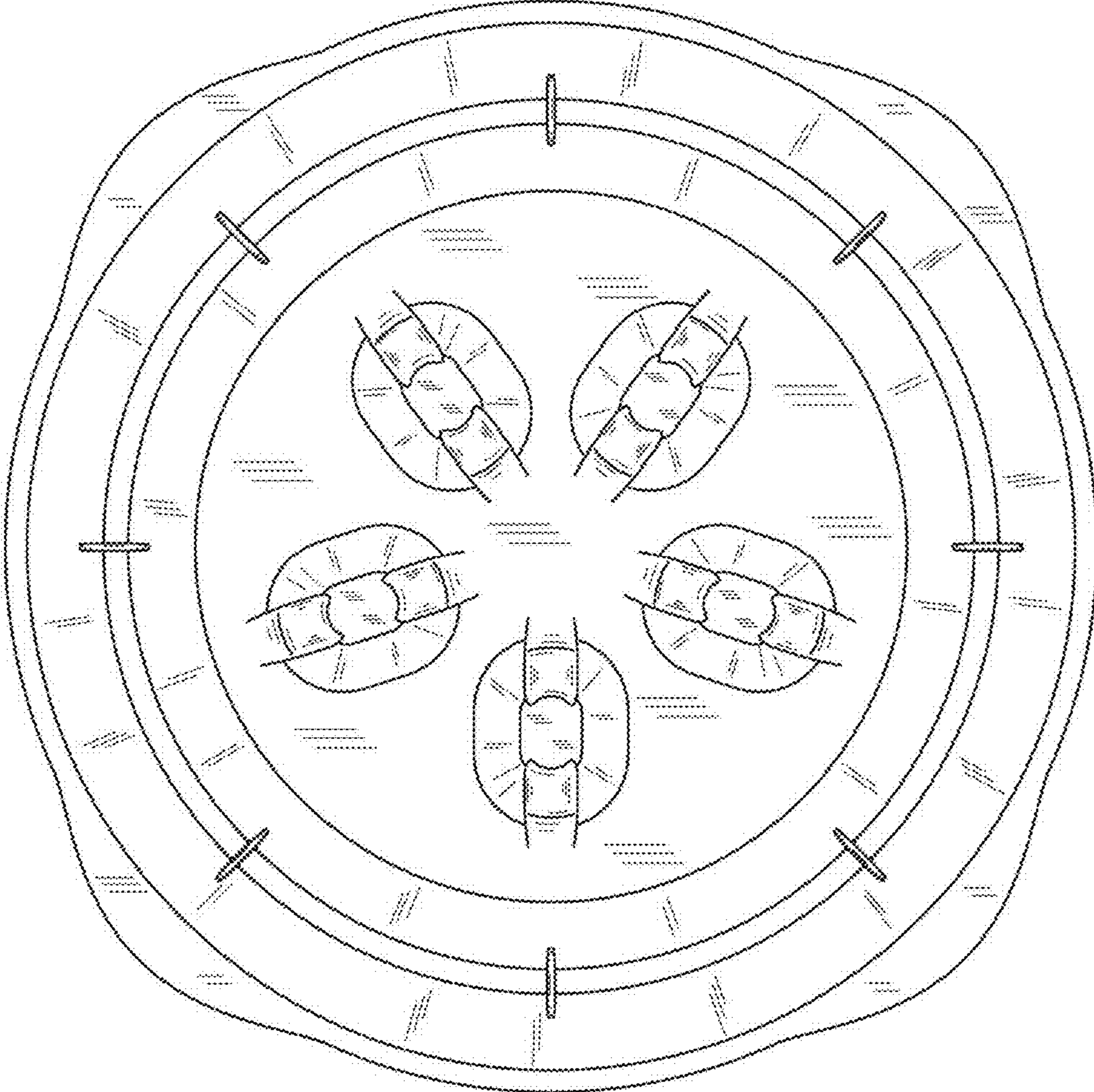


FIG. 5

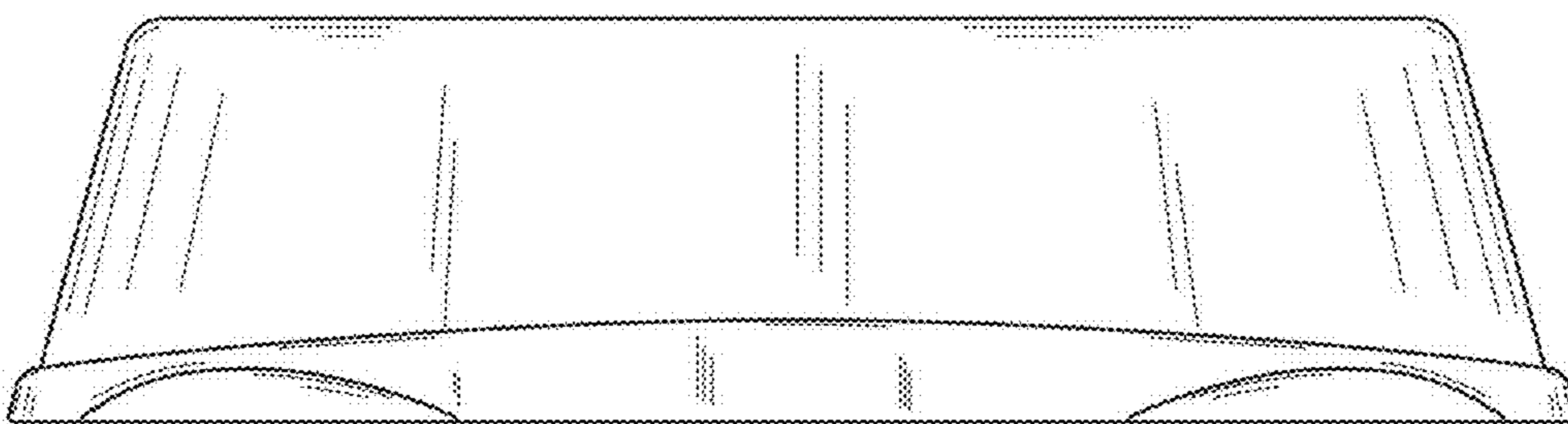


FIG. 6

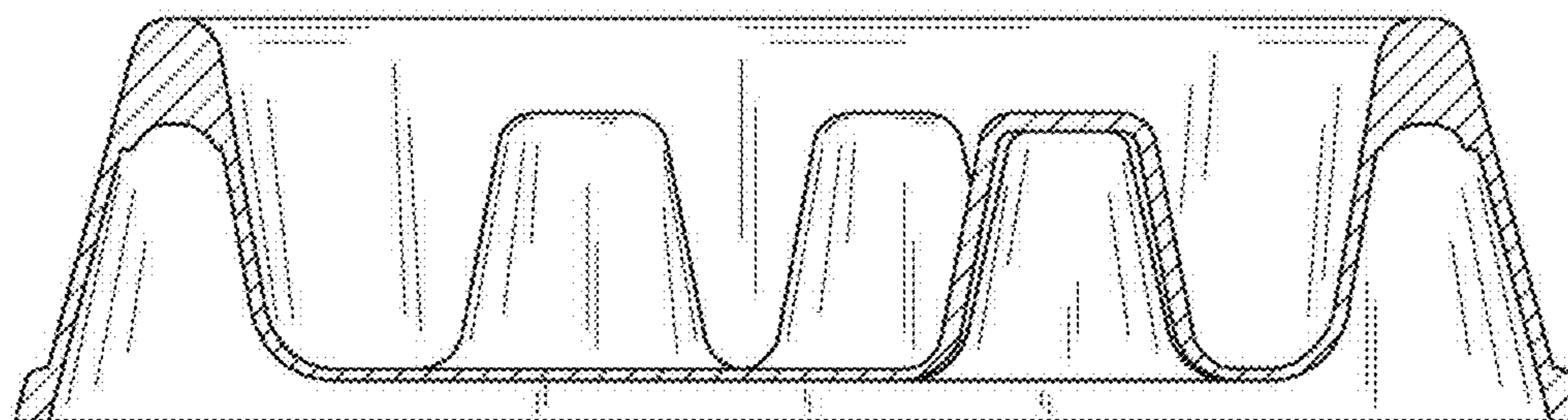


FIG. 7

