



US00D857299S

(12) **United States Design Patent**  
**Tammabattula**

(10) **Patent No.:** **US D857,299 S**

(45) **Date of Patent:** **\*\* Aug. 20, 2019**

- (54) **SONIC SKINCARE BRUSH**
- (71) Applicant: **Qyk Brands, LLC**, Santa Ana, CA  
(US)
- (72) Inventor: **Rakesh Tammabattula**, Santa Ana, CA  
(US)
- (73) Assignee: **Qyk Brands, LLC**, Santa Ana, CA  
(US)
- (\*\*) Term: **15 Years**
- (21) Appl. No.: **29/680,596**
- (22) Filed: **Feb. 18, 2019**
- (51) **LOC (12) Cl.** ..... **28-03**
- (52) **U.S. Cl.**  
USPC ..... **D28/63**; D24/214; D4/100
- (58) **Field of Classification Search**  
USPC ..... D4/100, 102; D28/7, 63; D24/211, 214,  
D24/215; D32/35, 40  
CPC . A47K 7/00; A47K 7/02; A47K 7/002; A47K  
7/04; A47K 7/043; A61H 7/002; A61H  
7/003; A61H 7/005; A61H 2205/022;  
A61H 2201/1692; A46B 2200/102  
See application file for complete search history.

D795,593 S 8/2017 Huang  
D795,594 S 8/2017 Thornton  
D796,212 S 9/2017 Thornton  
(Continued)

**FOREIGN PATENT DOCUMENTS**

CN 303109591 \* 2/2015  
CN 303109591 S 2/2015  
(Continued)

**OTHER PUBLICATIONS**

Screen shots of QYKsonic's ZOE sonic skincare device from youtube.com video posted by Brianna Stanko on Aug. 13, 2018 [on-line]. Retrieved from the Internet Apr. 11, 2019. URL: <https://www.youtube.com/watch?v=fMmJLA6Q8kU>. 7 pages (Year: 2018).\*

(Continued)

*Primary Examiner* — Karen E Eldridge Powers

(74) *Attorney, Agent, or Firm* — Eric Kelly

(57) **CLAIM**

What is claimed is the ornamental design for a sonic skincare brush, as shown and described.

**DESCRIPTION**

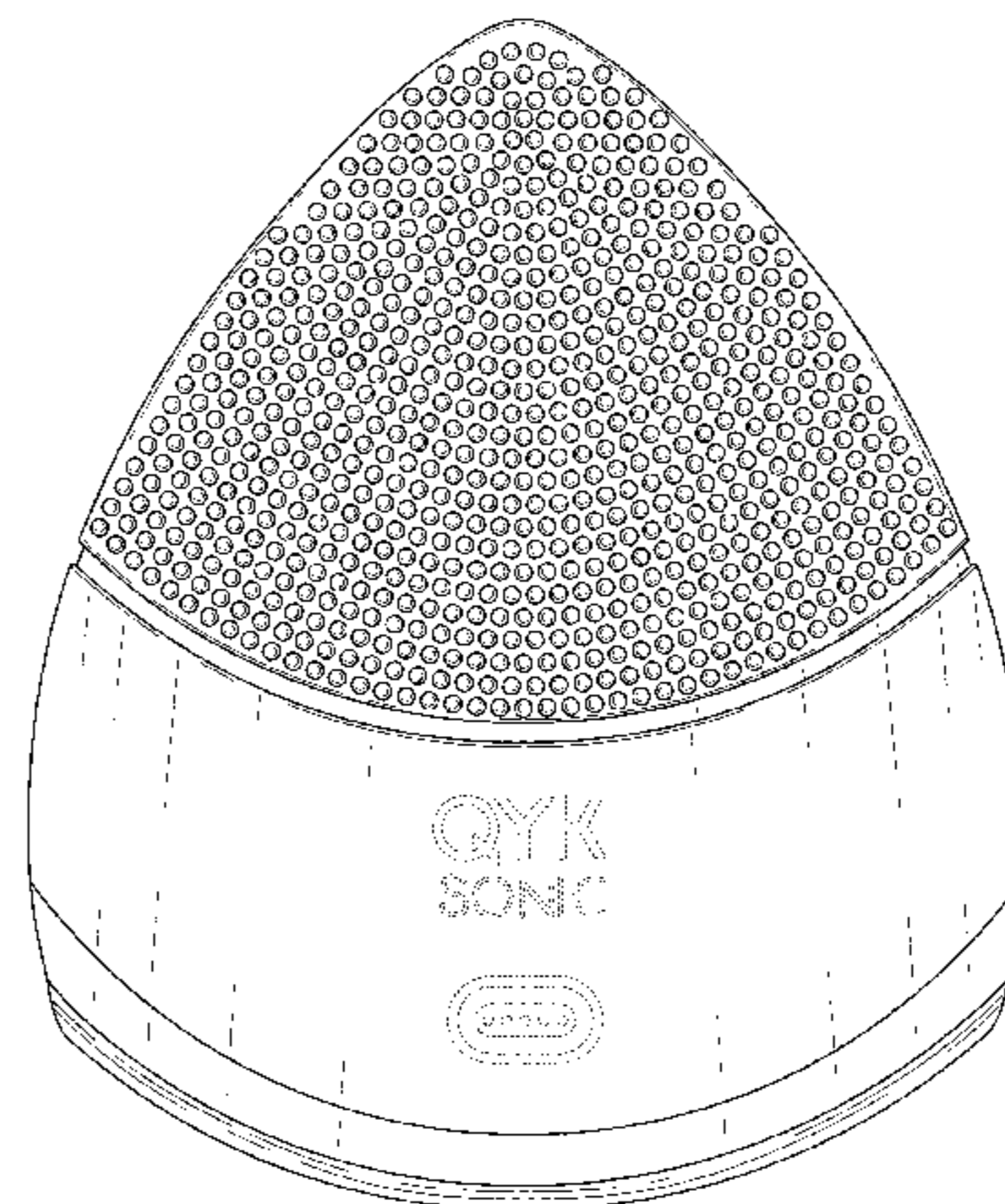
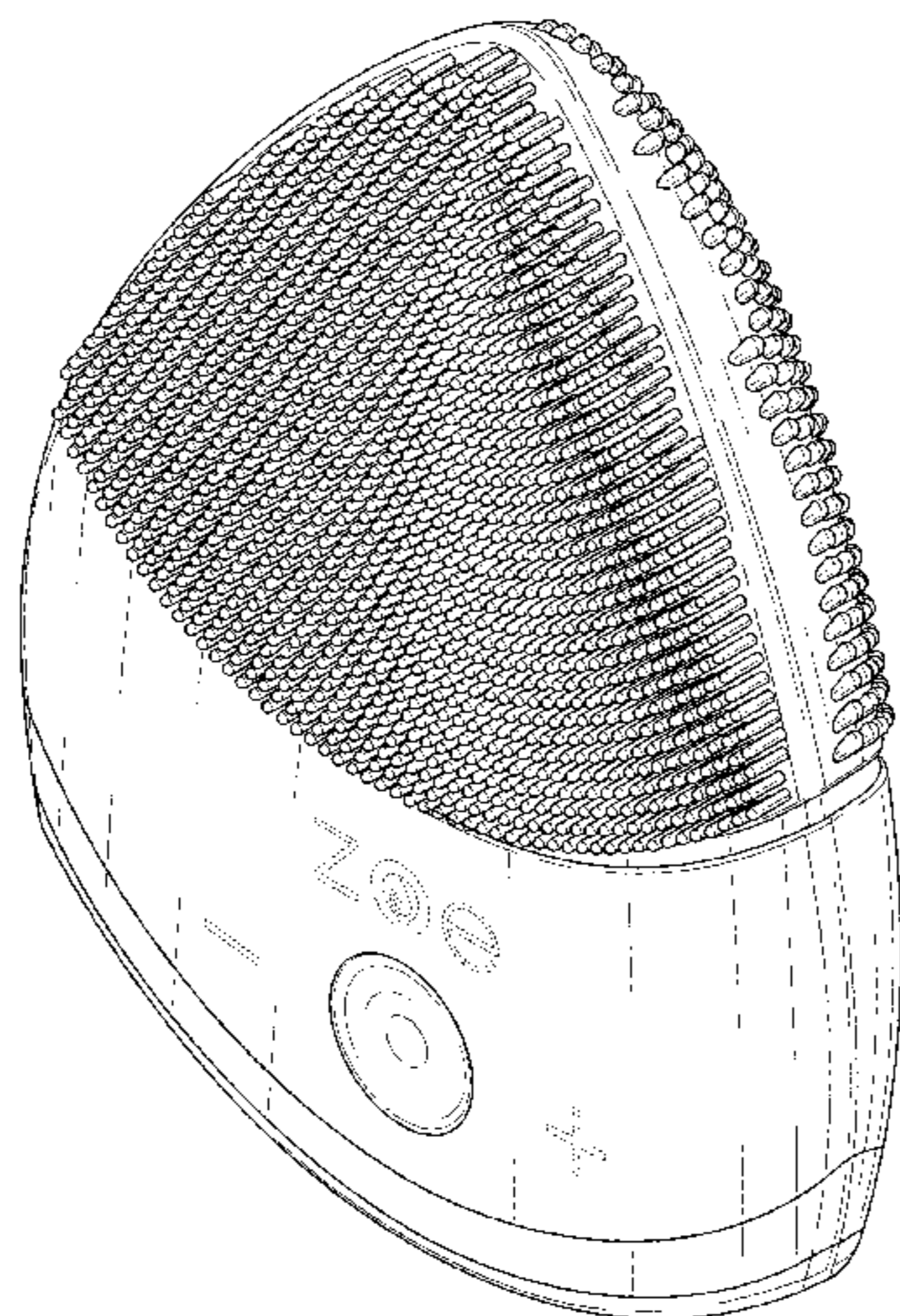
FIG. 1 illustrates a perspective view of a new and ornamental sonic skincare brush, according to a first embodiment; FIG. 2 illustrates a front elevation view thereof; FIG. 3 illustrates a rear elevation view thereof; FIG. 4 illustrates a right-side elevation view thereof; FIG. 5 illustrates a left-side elevation view thereof; FIG. 6 illustrates a top plan view thereof; and, FIG. 7 illustrates a bottom plan view thereof. The broken lines in the figures depict portions of the sonic skincare brush that form no part of the claimed design.

**1 Claim, 5 Drawing Sheets**

(56) **References Cited**

**U.S. PATENT DOCUMENTS**

- 1,705,249 A \* 3/1929 Henry ..... A61H 7/002  
15/188
- 7,500,282 B1 \* 3/2009 Park ..... A47K 7/02  
15/160
- D698,455 S 1/2014 Sedic
- D716,961 S 11/2014 Sedic
- D734,481 S 7/2015 Sedic
- D764,172 S \* 8/2016 Pan ..... D4/100
- D767,226 S \* 9/2016 Albers ..... D28/63
- D769,455 S 10/2016 Sedic
- D773,064 S 11/2016 Sedic
- D783,173 S 4/2017 Sedic



(56)

References Cited

FOREIGN PATENT DOCUMENTS

U.S. PATENT DOCUMENTS

D804,189 S \* 12/2017 von Berg ..... D4/100  
 D811,097 S 2/2018 Supple  
 9,889,065 B2 2/2018 Sedic  
 D812,379 S \* 3/2018 Ng ..... D4/120  
 9,907,439 B2 3/2018 Sedic  
 D814,804 S 4/2018 Roth  
 D816,342 S 5/2018 Tai  
 D818,272 S \* 5/2018 Tai ..... D4/100  
 D819,338 S 6/2018 Xiong  
 D822,387 S 7/2018 Tai  
 D823,606 S \* 7/2018 Roth ..... D4/134  
 10,028,884 B2 7/2018 Sedic  
 D825,124 S \* 8/2018 Celia, Jr. .... D32/35  
 D829,335 S 9/2018 Park  
 D837,994 S 1/2019 Sedic  
 D838,045 S 1/2019 Miller  
 D838,112 S 1/2019 Yi  
 10,213,064 B2 \* 2/2019 Sedic ..... A47K 7/043  
 2004/0153014 A1 \* 8/2004 Sage, Jr. .... A61H 7/003  
 601/159  
 2007/0118963 A1 \* 5/2007 Snyder ..... A61H 7/003  
 2/158  
 2014/0194900 A1 \* 7/2014 Sedic ..... A47K 7/043  
 606/131  
 2015/0105802 A1 \* 4/2015 Sedic ..... A47K 7/043  
 606/131  
 2016/0135582 A1 \* 5/2016 Yen ..... A47K 7/04  
 15/22.1  
 2018/0028395 A1 \* 2/2018 Roth ..... A61H 7/003  
 2018/0168913 A1 \* 6/2018 Sedic ..... A61H 7/002

CN 303193705 \* 5/2015  
 CN 303499920 \* 12/2015  
 CN 303686058 \* 5/2016  
 CN 304035193 \* 2/2017  
 CN 304091539 \* 3/2017  
 CN 304451921 \* 1/2018  
 CN 304049527 \* 2/2018  
 CN 304490046 \* 2/2018  
 CN 304495658 \* 2/2018  
 CN 304506943 \* 2/2018  
 CN 304520914 \* 2/2018  
 CN 304851542 \* 10/2018  
 EM 006064218-0001 \* 1/2019  
 KR 300949593.0000 \* 3/2018

OTHER PUBLICATIONS

Silicon Deep Clean Facial Cleanser [on-line]. Retrieved from the Internet May 27, 2018. URL: <<https://sites.google.com/a/d.toctai.net/us310/silicon-deep-clean-facial-cleanser-vibration-cleaning-pulsating-brushes-electric-face-massager-for-skin-care>>. 21 pages (Year: 2018).\*

Sonic Cleansing Brush with Medical Grade Silica Gel [on-line]. Retrieved from the Internet May 27, 2018. URL: <<https://web.archive.org/web/20150317084955/https://www.ibeutymachine.com/sonic-cleansing-brush-with-medical-grade-silicone.html>>. 7 pages (Year: 2018).\*

ZOE sonic skincare device [on-line]. Published Jan. 10, 2018; retrieved from the Internet Apr. 11, 2019. URL: <<https://web.archive.org/web/20180110172230/https://qyksonic.com/?variant=5720569151531>>. 15 pages (Year: 2018).\*

\* cited by examiner

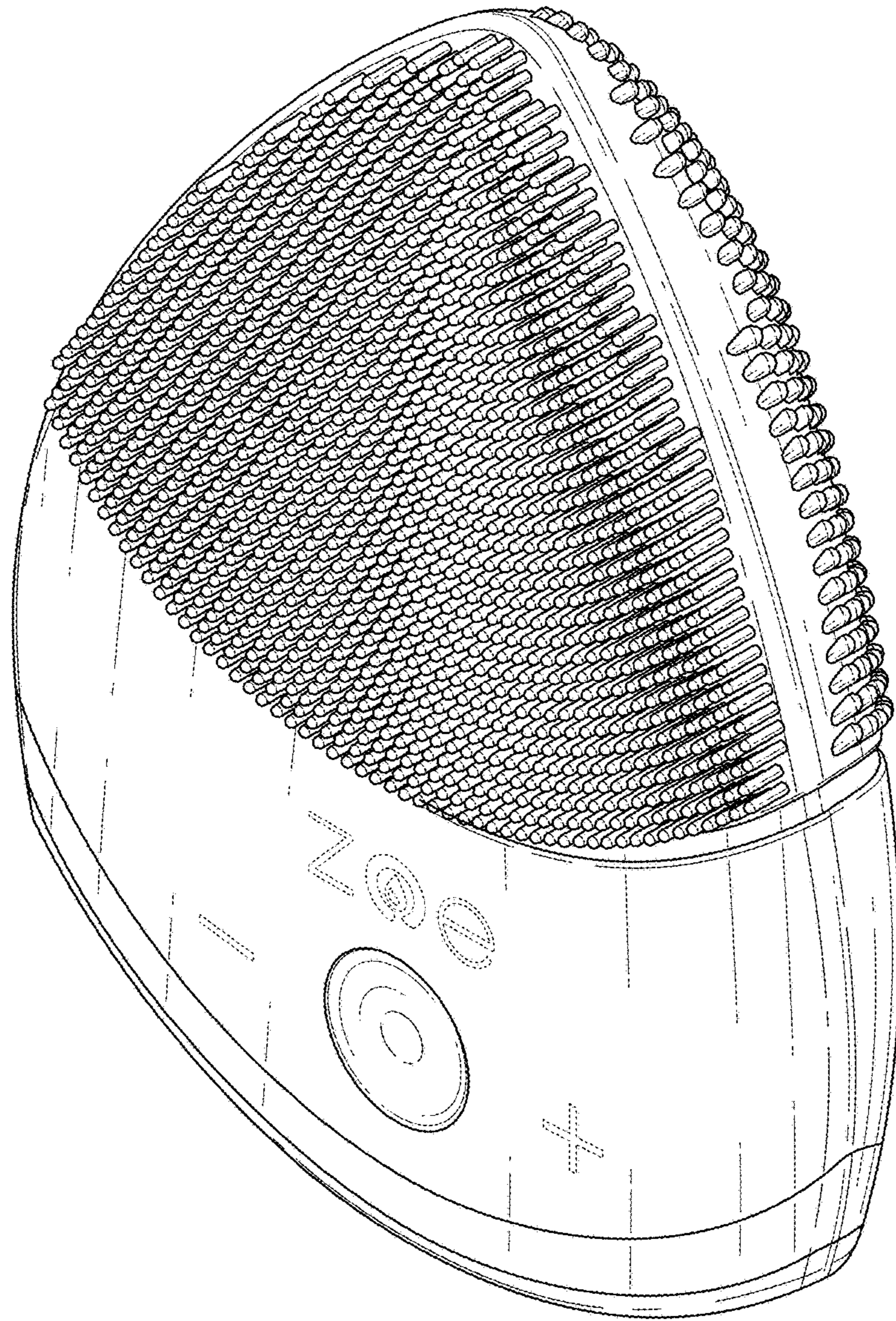


FIG. 1

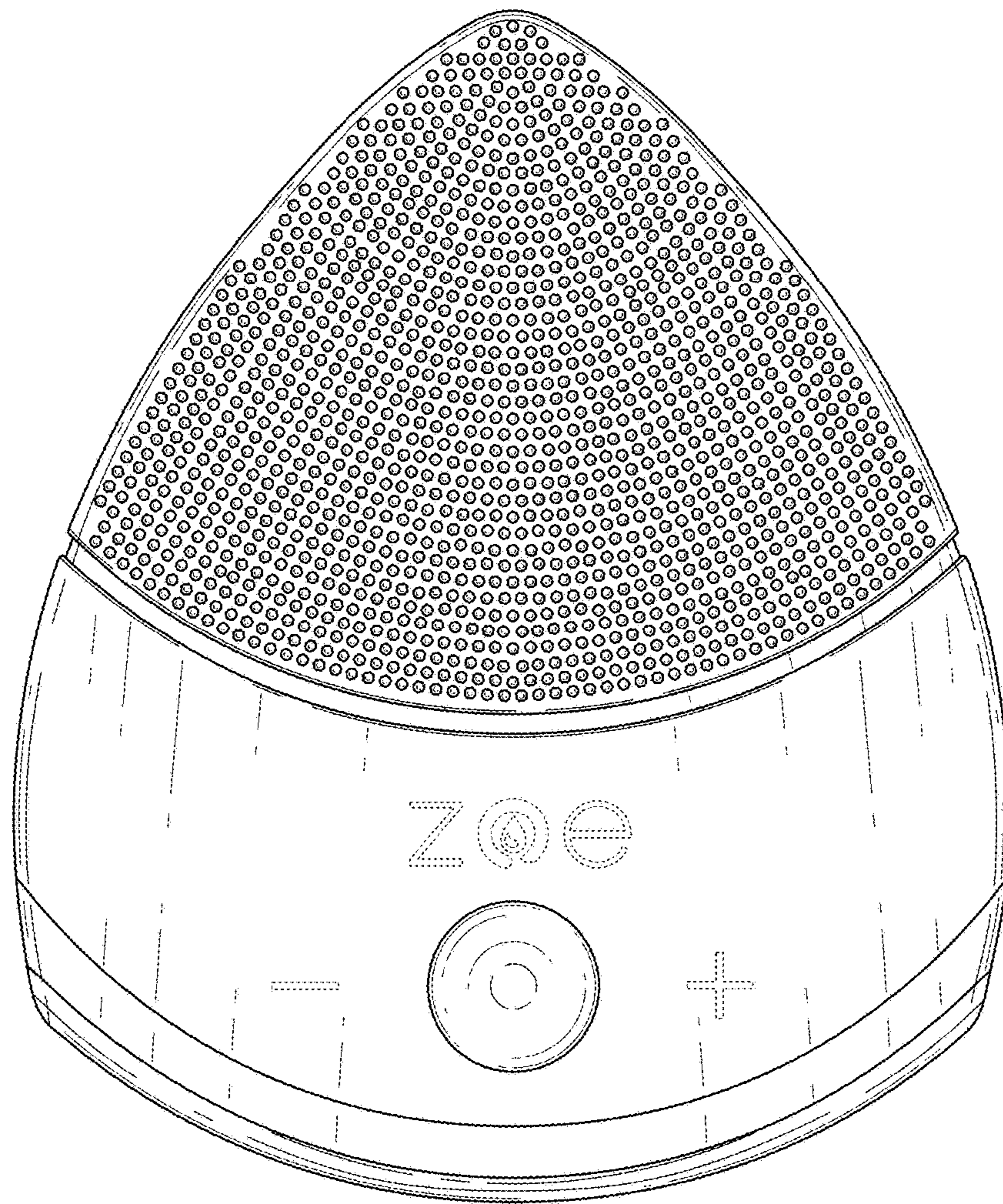


FIG. 2

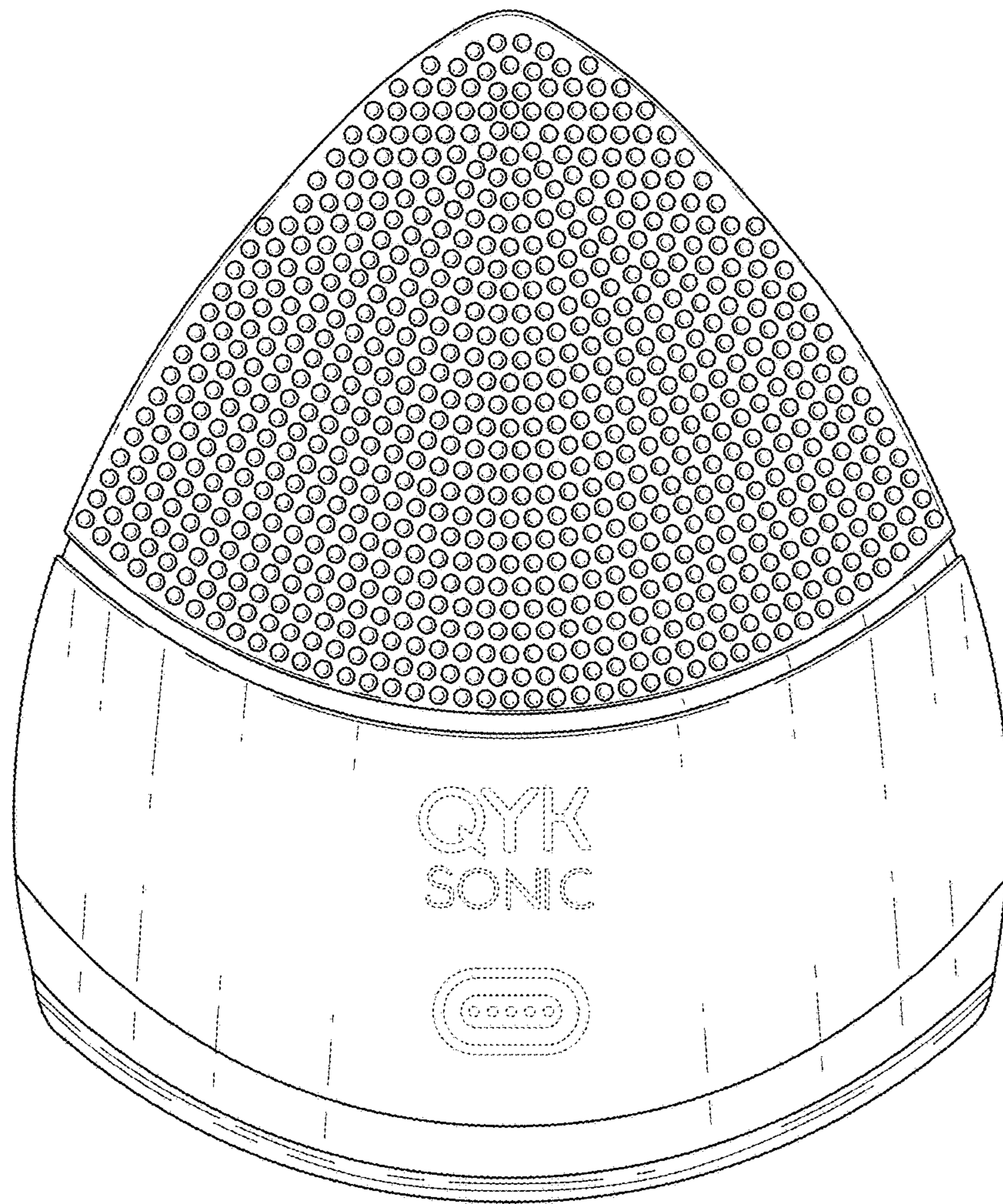


FIG. 3

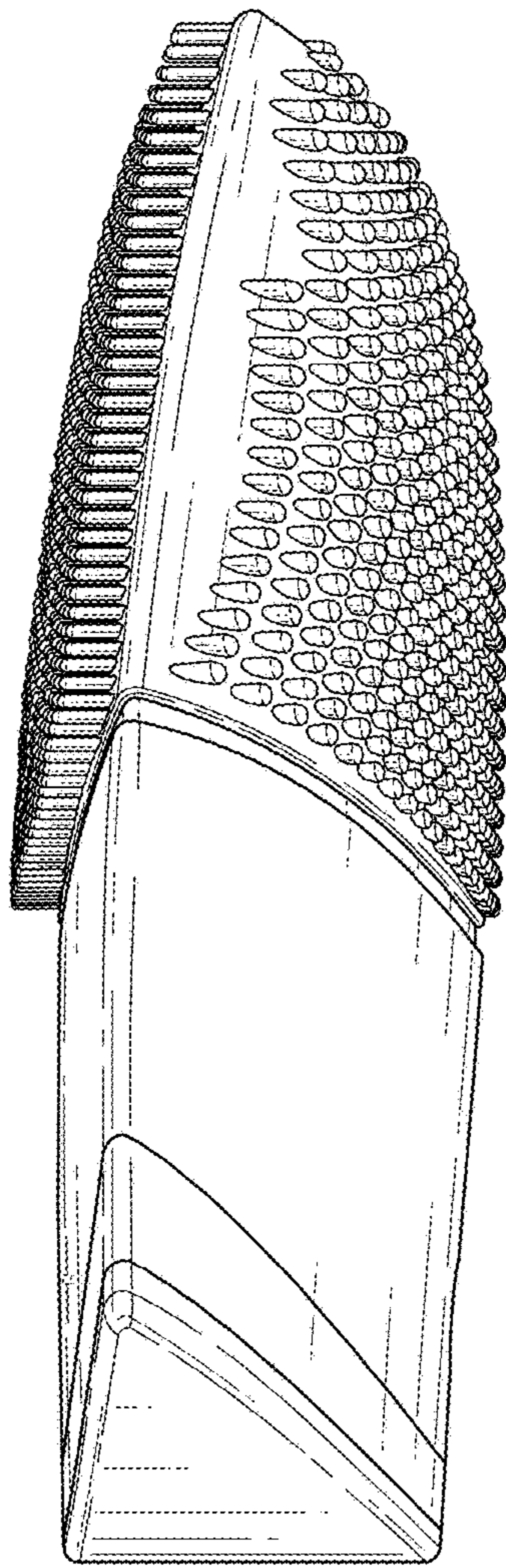


FIG. 4

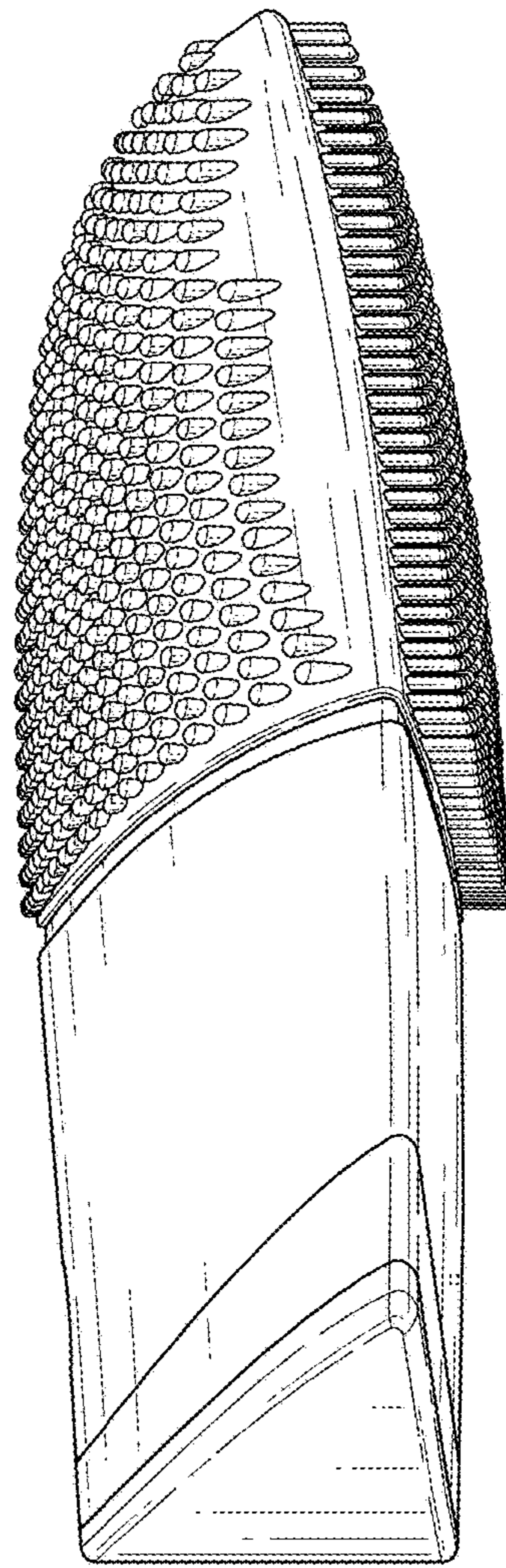


FIG. 5

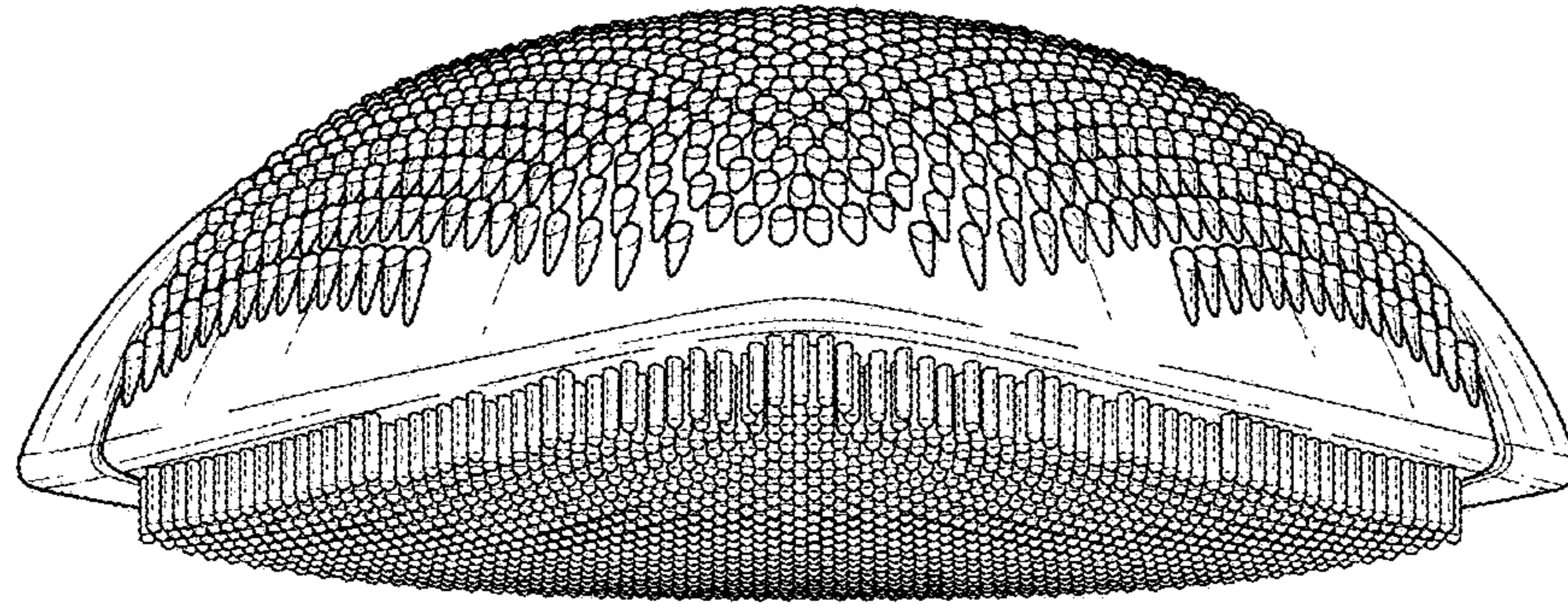


FIG. 6

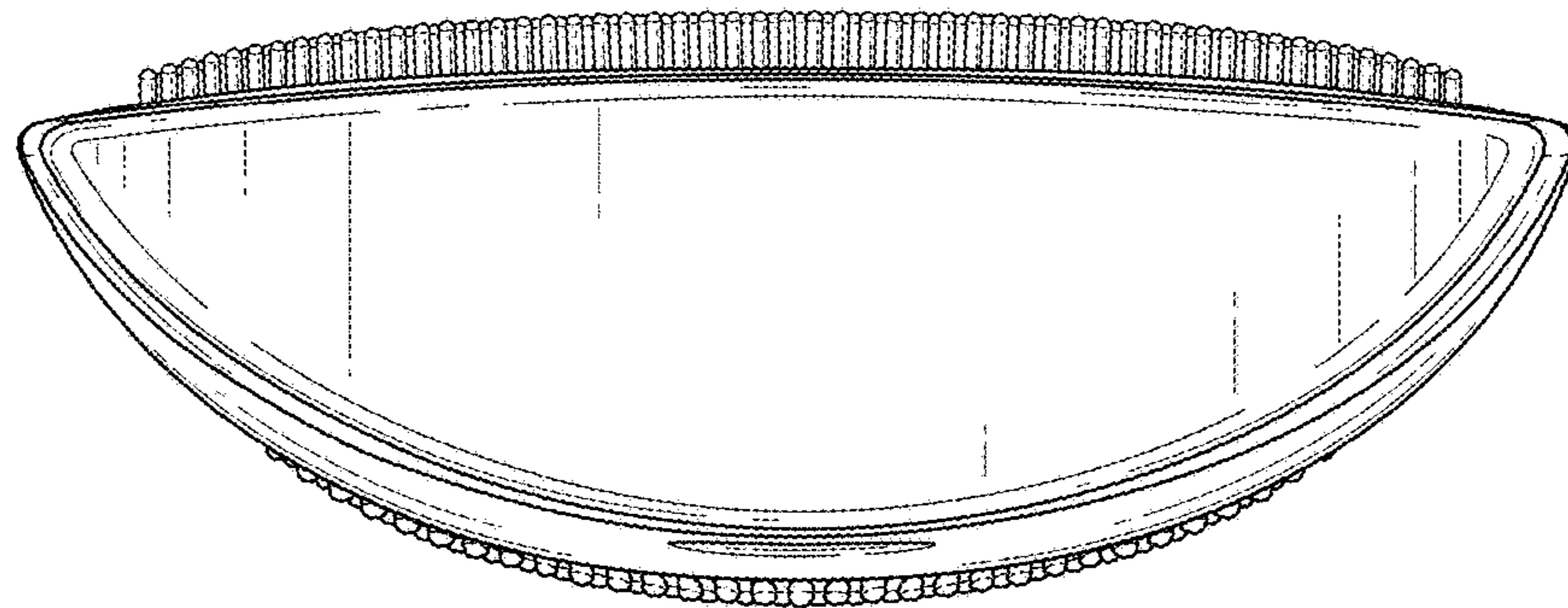


FIG. 7