



US00D857297S

(12) **United States Design Patent**
Khubani et al.

(10) **Patent No.:** **US D857,297 S**

(45) **Date of Patent:** **** Aug. 20, 2019**

(54) **SHAVING DEVICE**

(71) Applicants: **Anand Khubani**, Towaco, NJ (US);
David Stowers, Morristown, NJ (US)

(72) Inventors: **Anand Khubani**, Towaco, NJ (US);
David Stowers, Morristown, NJ (US)

(73) Assignee: **Church & Dwight, Inc**, Princeton, NJ (US)

(**) Term: **15 Years**

(21) Appl. No.: **29/651,301**

(22) Filed: **Apr. 6, 2018**

(51) **LOC (12) Cl.** **28-03**

(52) **U.S. Cl.**
USPC **D28/51; D28/53**

(58) **Field of Classification Search**
USPC D28/44, 44.1, 49, 51-54, 50
CPC B26B 19/00-107; B26B 19/12-18; B26B 19/38-3893; A45D 26/0023-0038; A45D 26/0042-0052
See application file for complete search history.

(56) **References Cited**

U.S. PATENT DOCUMENTS

D305,162 S *	12/1989	Mockovak	D28/53
D400,303 S *	10/1998	Tanaka	D28/49
6,272,752 B1 *	8/2001	Pino	B26B 19/148 30/29.5
D485,013 S *	1/2004	Leventhal	D28/52
D488,260 S *	4/2004	Khubani	D28/53
D497,035 S *	10/2004	Khubani	D28/53
D513,092 S *	12/2005	Ajootian	D28/53
D514,257 S *	1/2006	Bokelman-Dumas	D28/53
D516,245 S *	2/2006	Ohta	D28/49
7,152,323 B1 *	12/2006	Lin	B26B 19/148 30/29.5
D536,135 S *	1/2007	Kitagawa	D28/53
D561,941 S *	2/2008	Khubani	D28/53

D617,050 S *	6/2010	Lou	D28/76
D617,051 S *	6/2010	Pires	D28/76
D632,014 S *	2/2011	Lee	D28/76
D674,144 S *	1/2013	Yamamoto	D28/46
D674,145 S *	1/2013	Ino	D28/51
D674,558 S *	1/2013	Ino	D28/53
D704,066 S *	5/2014	de Lima Paschoal	D28/76
D728,159 S *	4/2015	Szymanski	D28/49
D758,664 S *	6/2016	Van Maanen	D28/51

(Continued)

Primary Examiner — Jennifer Rivard

(74) *Attorney, Agent, or Firm* — Dan De La Rosa

(57) **CLAIM**

We claim the ornamental design for a shaving device, as shown and described.

DESCRIPTION

FIG. 1 is a front perspective view of a shaving device shown with the cap of the present invention showing our new design;

FIG. 2 is a front side elevation view thereof;

FIG. 3 is a back side elevation view thereof;

FIG. 4 is a side elevation view thereof;

FIG. 5 is another side elevation view thereof;

FIG. 6 is a top plan view thereof;

FIG. 7 is a bottom plan view thereof;

FIG. 8 is a perspective view of the shaving device shown without the cap;

FIG. 9 is a front side view of FIG. 8;

FIG. 10 is a back side view of FIG. 8;

FIG. 11 is a side view of FIG. 8;

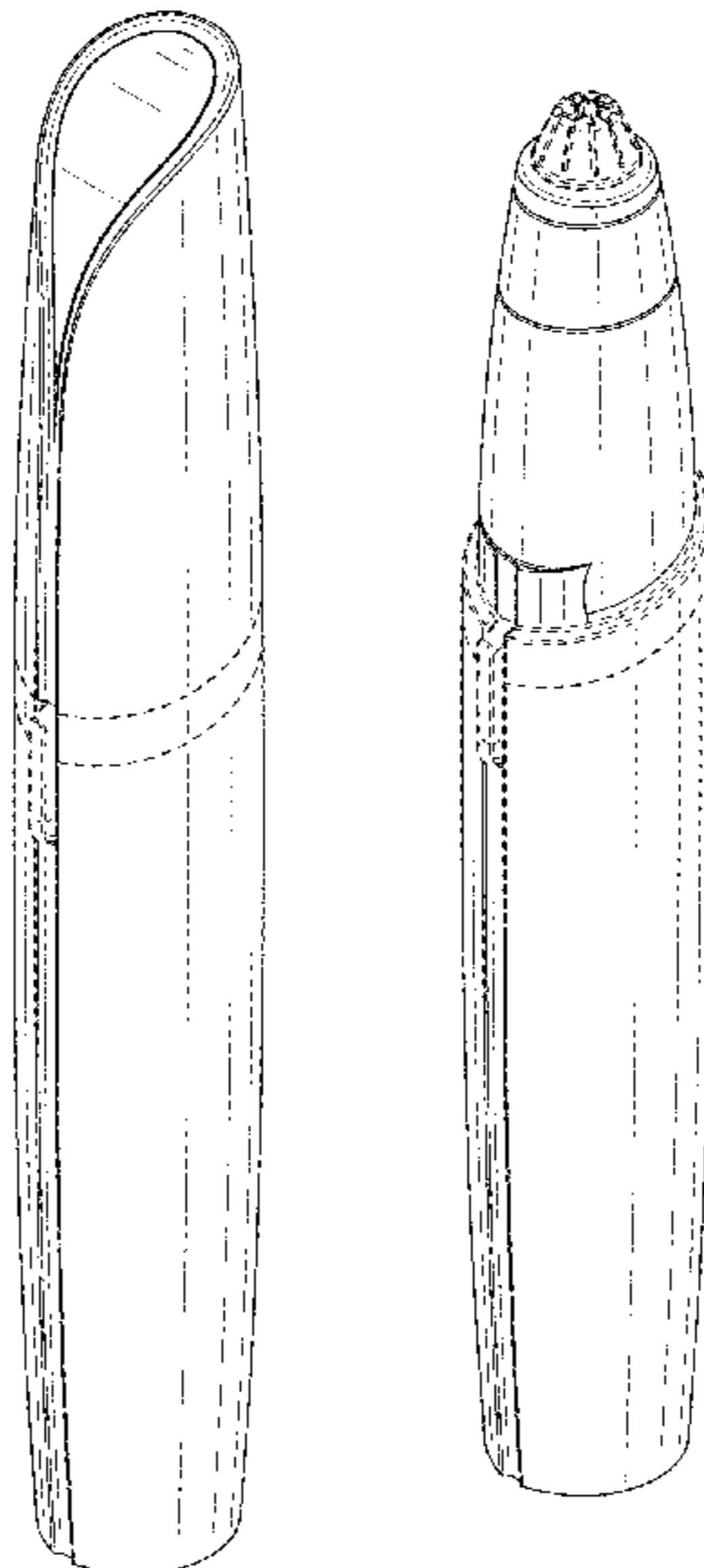
FIG. 12 is another side view of FIG. 8;

FIG. 13 is a top plan view of FIG. 8; and,

FIG. 14 is a bottom plan view of FIG. 8.

The shaving device is shown with and without the cap for convenience of illustration. The broken lines illustrate portions of the shaving device that form no part of the claimed design.

1 Claim, 12 Drawing Sheets



(56)

References Cited

U.S. PATENT DOCUMENTS

D776,877 S * 1/2017 Zadro D28/50
9,743,738 B2 * 8/2017 Sanchez-Martinez
A45D 26/0028
D834,253 S * 11/2018 Khubani D28/50
D834,254 S * 11/2018 Khubani D28/50
D836,840 S * 12/2018 Khubani D28/50
D841,247 S * 2/2019 Stowers D28/50
D841,887 S * 2/2019 Stowers D28/50
2005/0144783 A1 * 7/2005 Yiu B26B 19/00
30/29.5
2018/0290318 A1 * 10/2018 Khubani B26B 19/3853
2018/0333875 A1 * 11/2018 Lau B26B 19/06

* cited by examiner

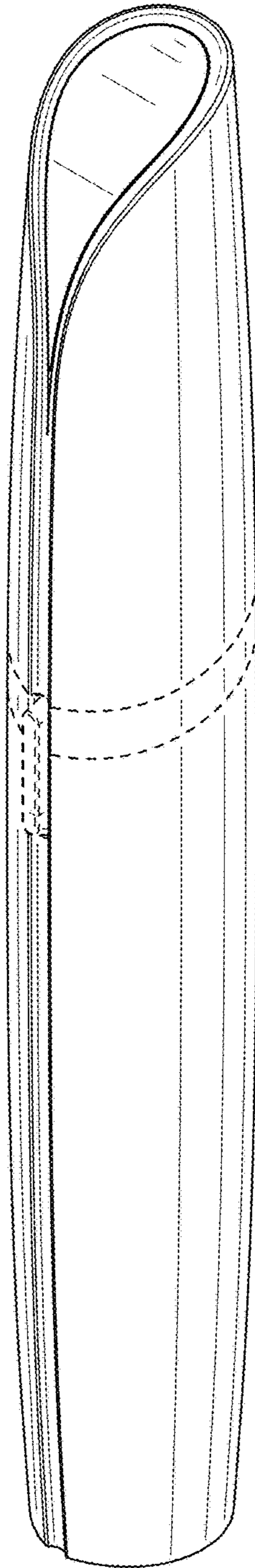


FIG. 1

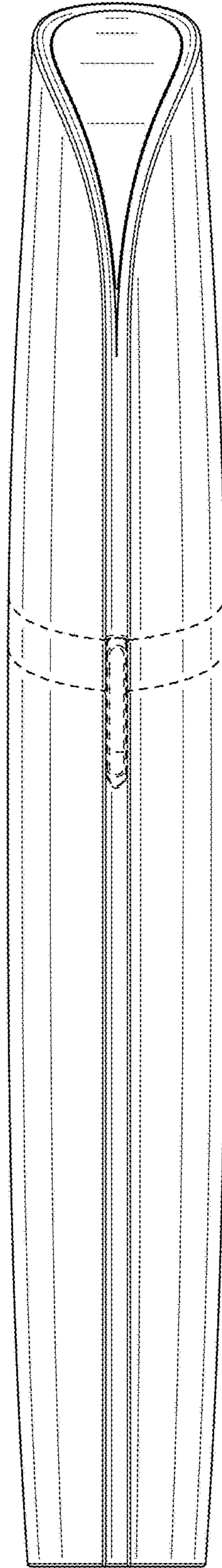


FIG. 2

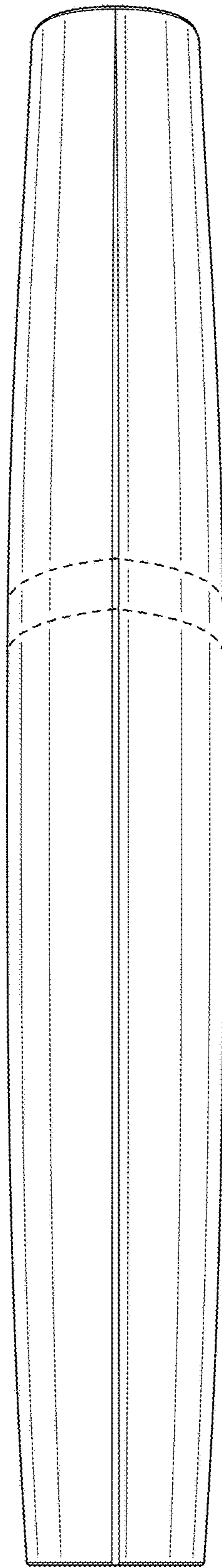


FIG. 3

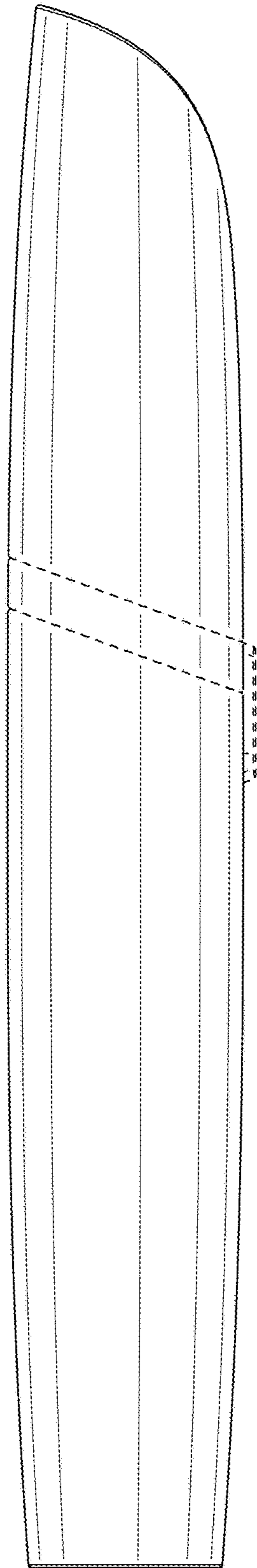


FIG. 4

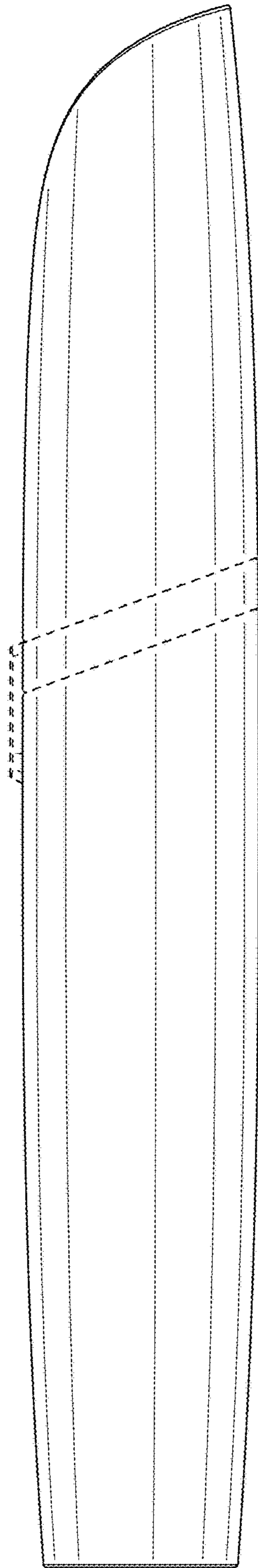


FIG. 5

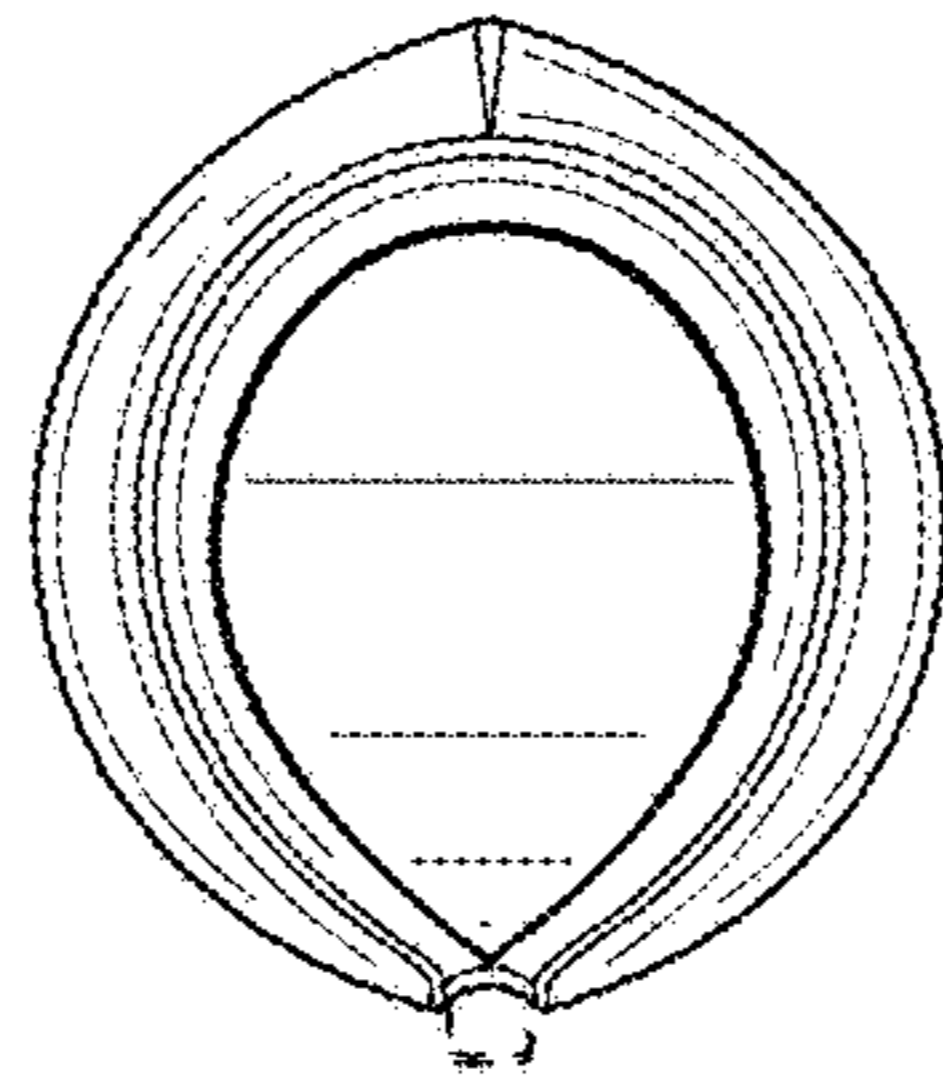


FIG. 6

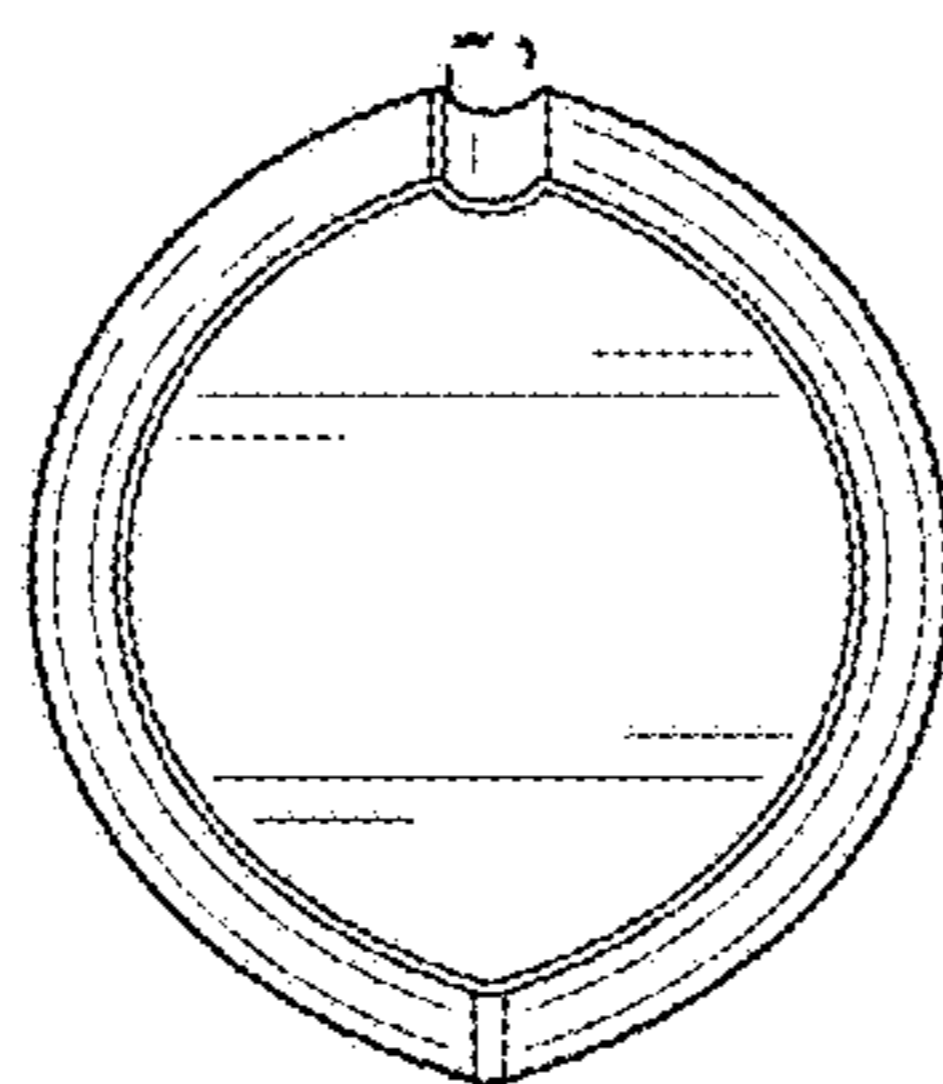


FIG. 7

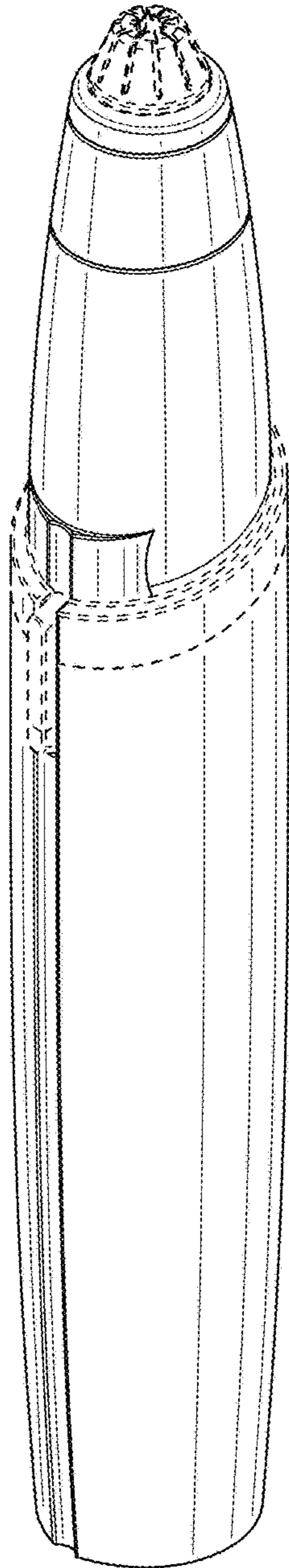


FIG. 8

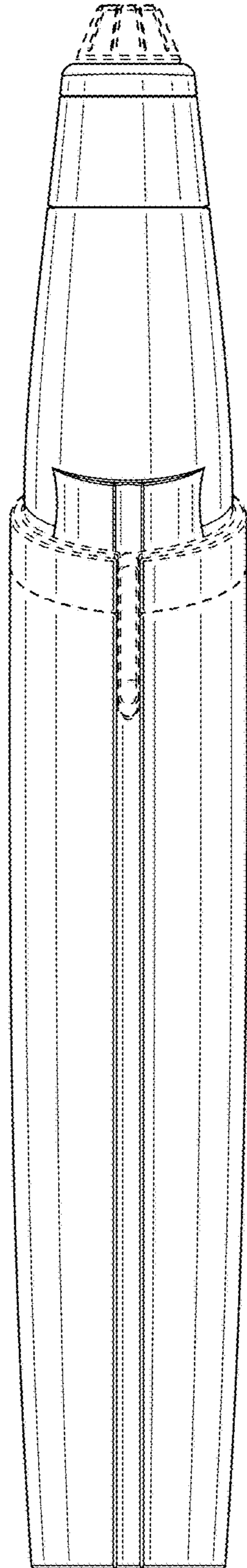


FIG. 9

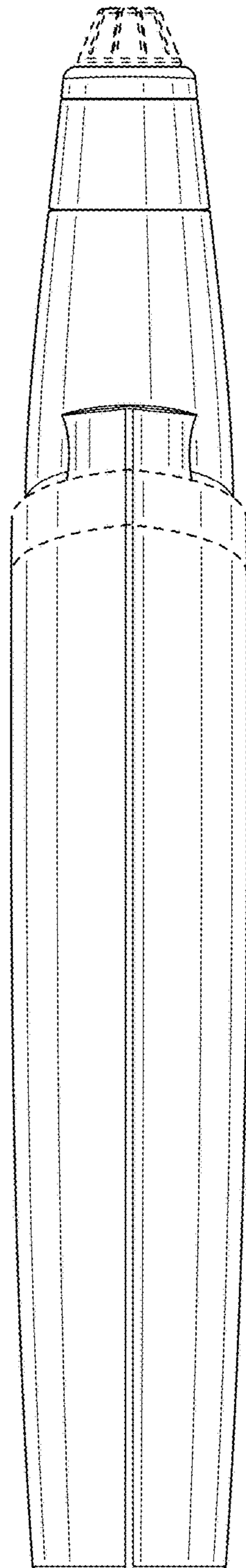


FIG. 10

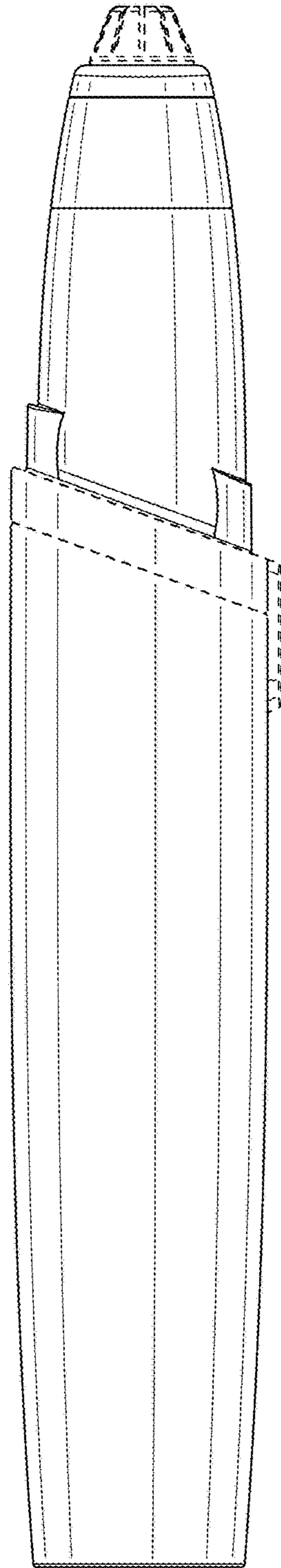


FIG. 11

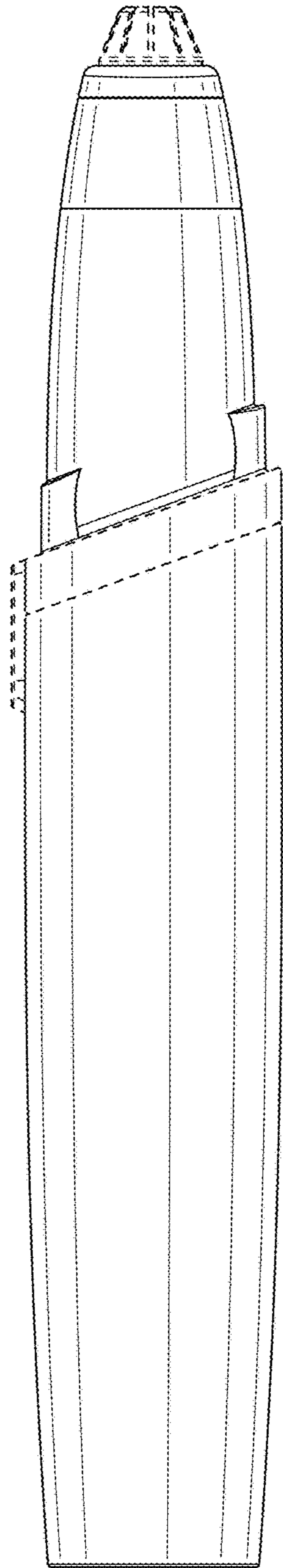


FIG. 12

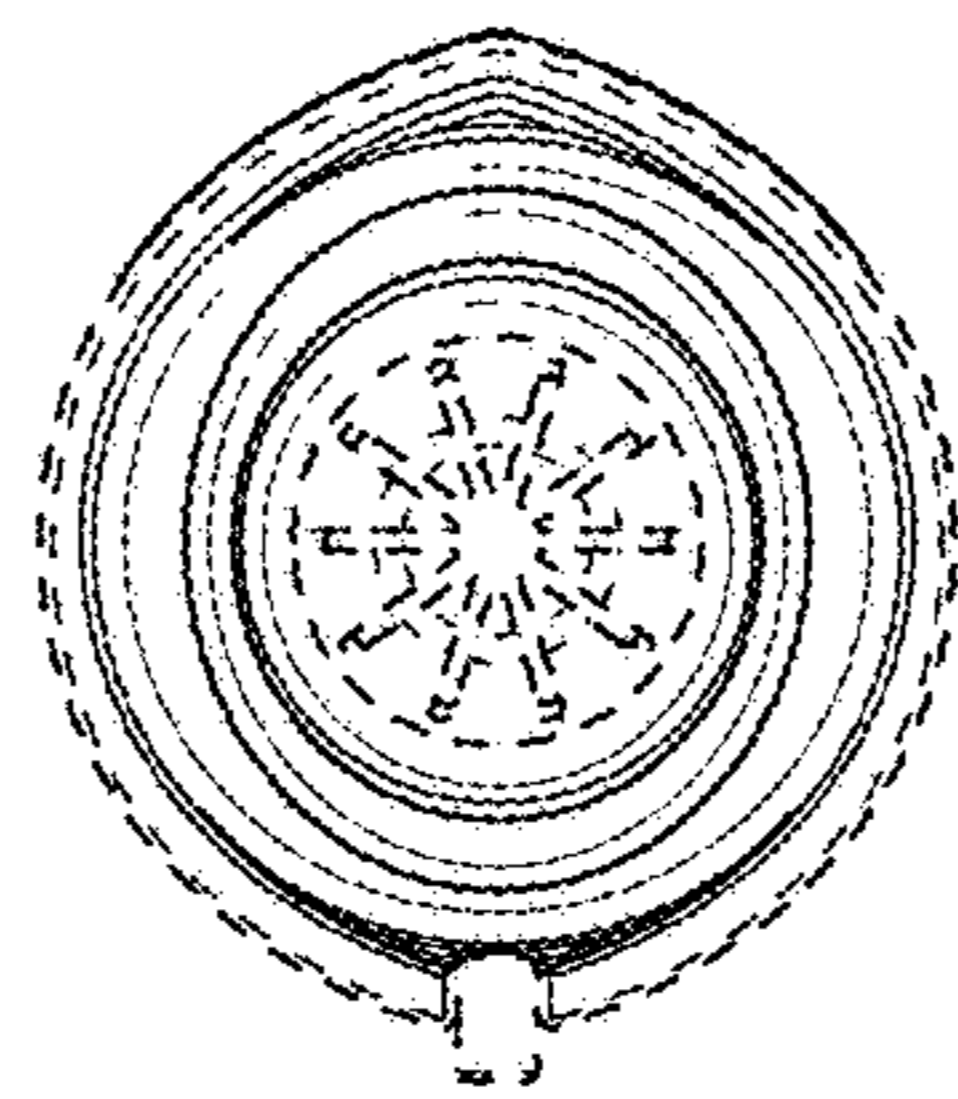


FIG. 13

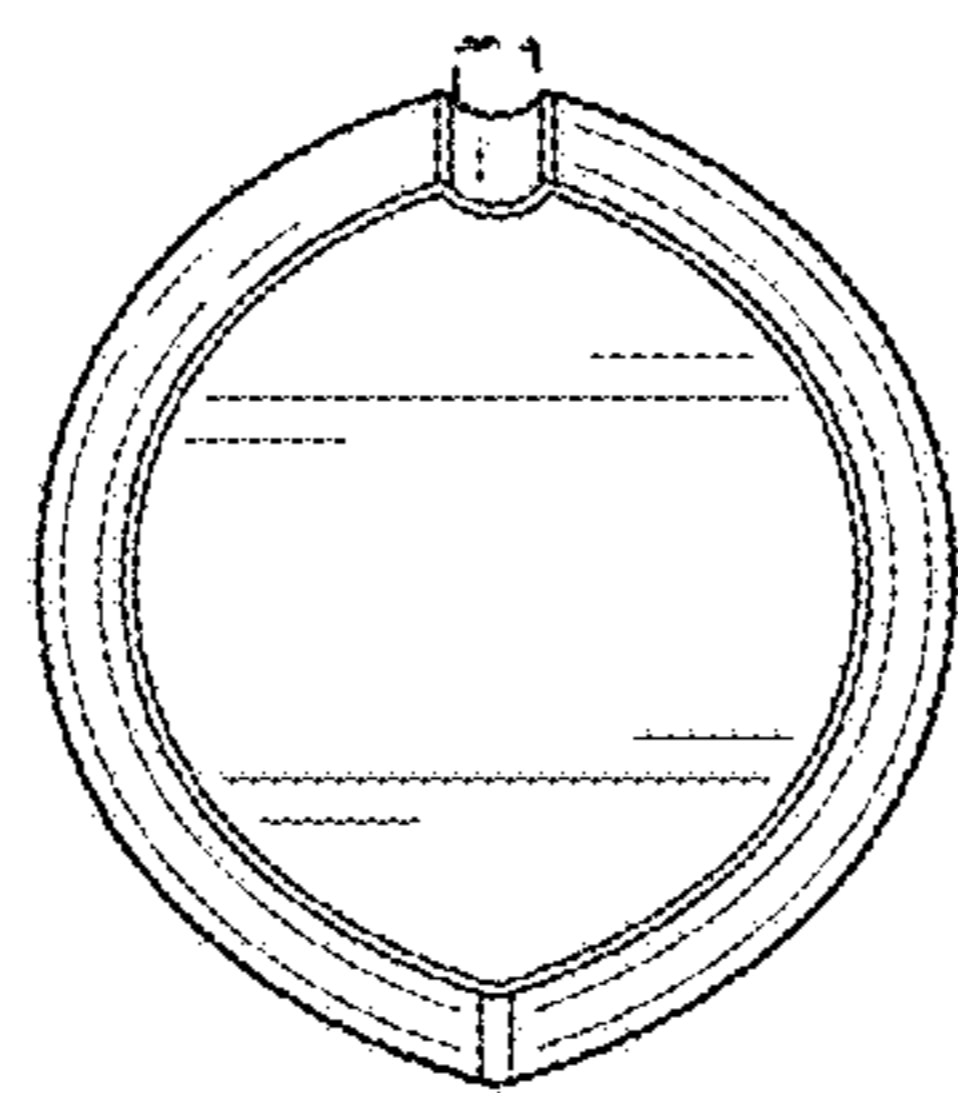


FIG. 14