



US00D857295S

(12) **United States Design Patent** (10) **Patent No.:** **US D857,295 S**
Chen (45) **Date of Patent:** **** Aug. 20, 2019**

(54) **SHAVER WITH REMOVABLE BLADE COVER**

(71) Applicant: **Xu Chen**, Yiwu (CN)

(72) Inventor: **Xu Chen**, Yiwu (CN)

(**) Term: **15 Years**

(21) Appl. No.: **29/650,212**

(22) Filed: **Jun. 5, 2018**

(51) **LOC (12) Cl.** **28-03**

(52) **U.S. Cl.**
USPC **D28/50; D28/54**

(58) **Field of Classification Search**
USPC D28/49-54
CPC B26B 19/14; B26B 19/141; B26B 19/143;
B26B 19/145; B26B 19/146; B26B
19/148; B26B 19/16; B26B 19/18; B26B
19/3806; B26B 19/3813; B26B 19/3826;
B26B 19/384; B26B 19/3853-3866
See application file for complete search history.

(56) **References Cited**

U.S. PATENT DOCUMENTS

D651,746 S * 1/2012 Prat-Pfister D28/50
D654,223 S * 2/2012 Aulwes D28/50
9,174,349 B2 * 11/2015 Schmitt B26B 19/14

D758,014 S * 5/2016 Smith D28/50
D758,015 S * 5/2016 Prat-Pfister D28/50
D758,017 S * 5/2016 Smith D28/50
D777,375 S * 1/2017 Frankel D28/50
D777,376 S * 1/2017 Frankel D28/50

* cited by examiner

Primary Examiner — Jennifer Rivard
(74) *Attorney, Agent, or Firm* — ScienBiziP, P.C.

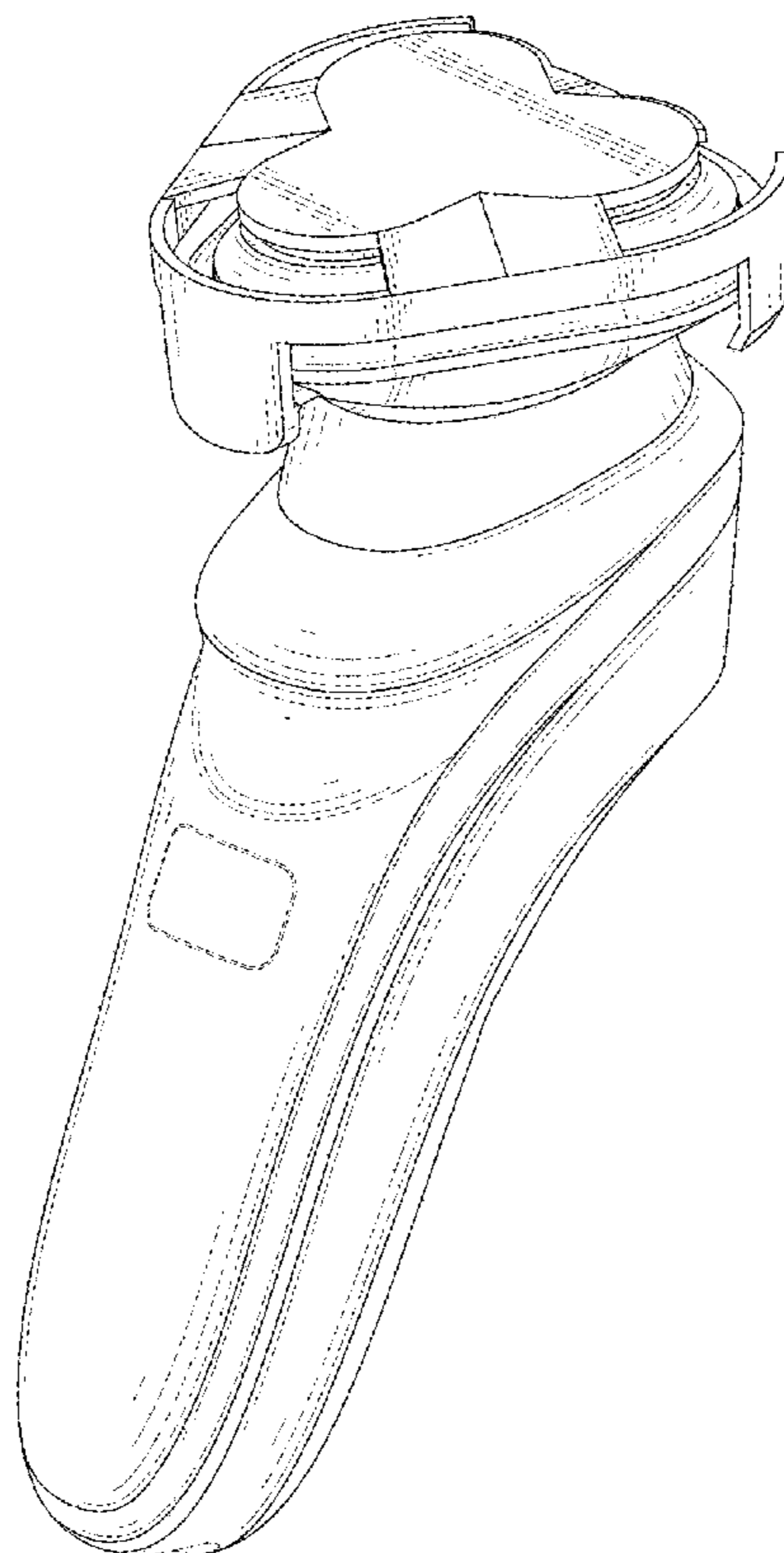
(57) **CLAIM**

The ornamental design for a shaver with removable blade cover, as shown and described.

DESCRIPTION

FIG. 1 is a first perspective view of an embodiment of a shaver with removable blade cover, showing the claimed new design;
FIG. 2 is a second perspective view thereof;
FIG. 3 is a front elevation view thereof;
FIG. 4 is a rear elevation view thereof;
FIG. 5 is a left side elevation view thereof;
FIG. 6 is a right side elevation view thereof;
FIG. 7 is a top plan view thereof; and,
FIG. 8 is a bottom plan view thereof.
The broken lines and the unshaded areas therein illustrate portions of the shaver and form no part of the claimed design.

1 Claim, 8 Drawing Sheets



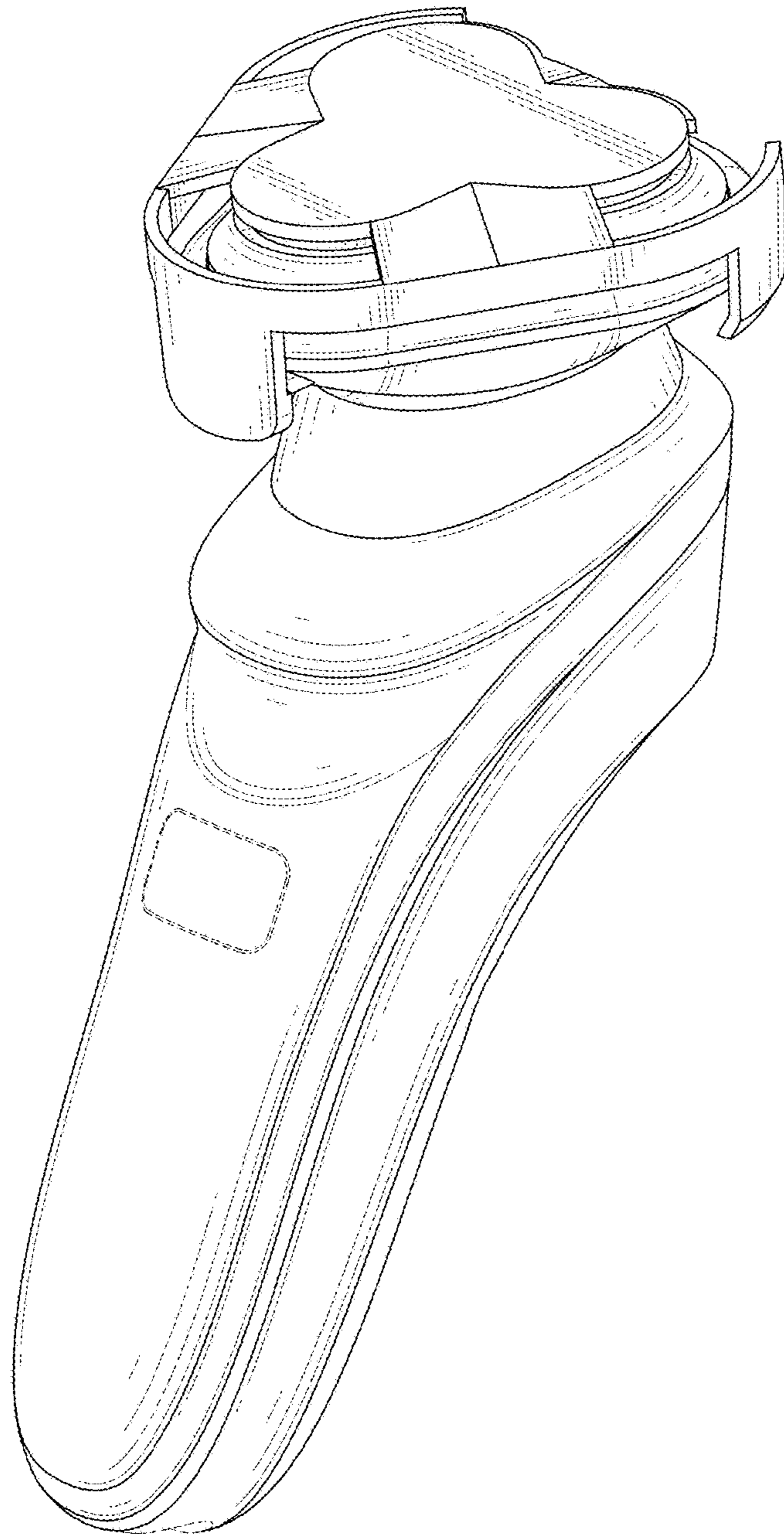


FIG. 1

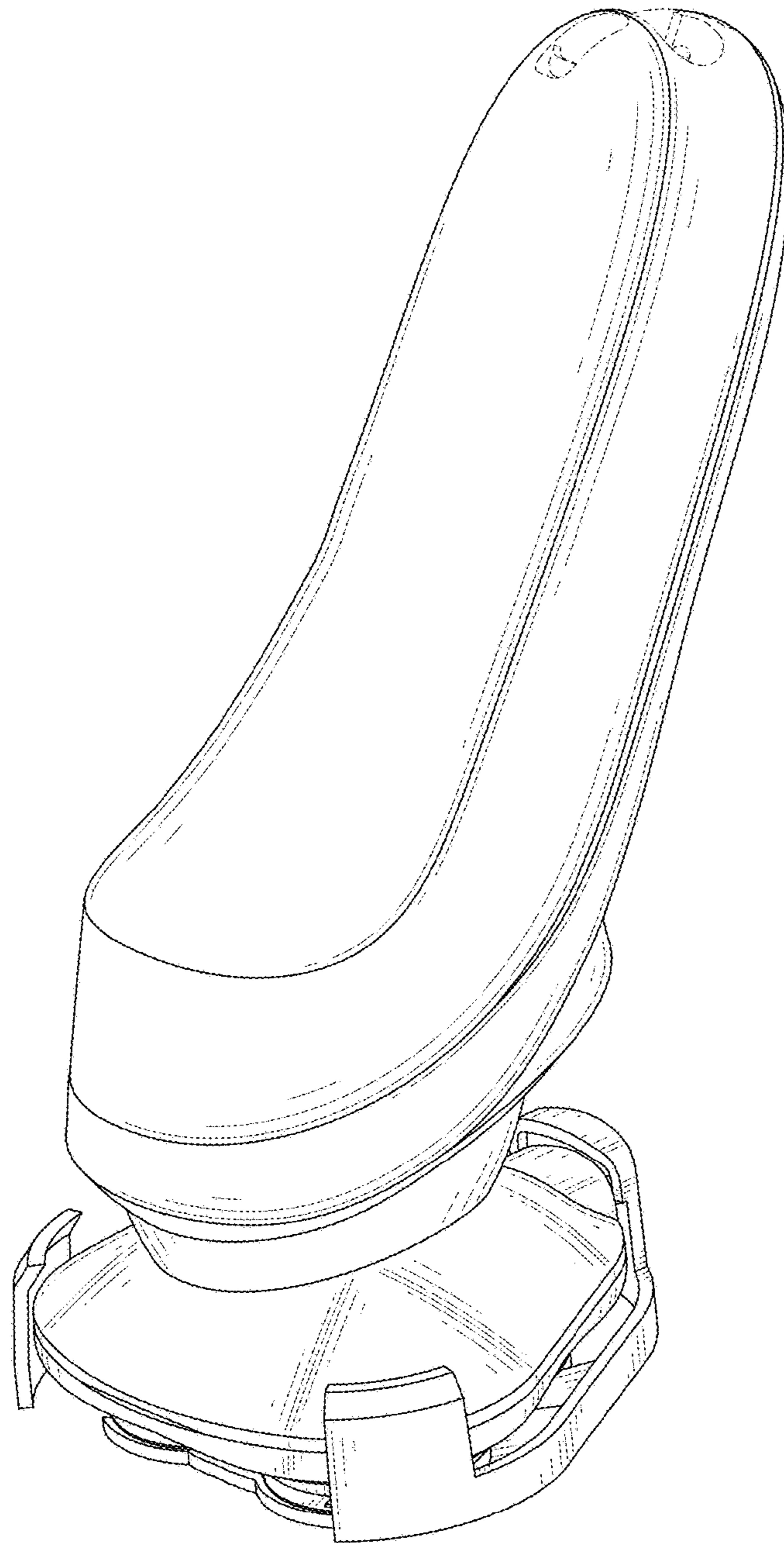


FIG. 2

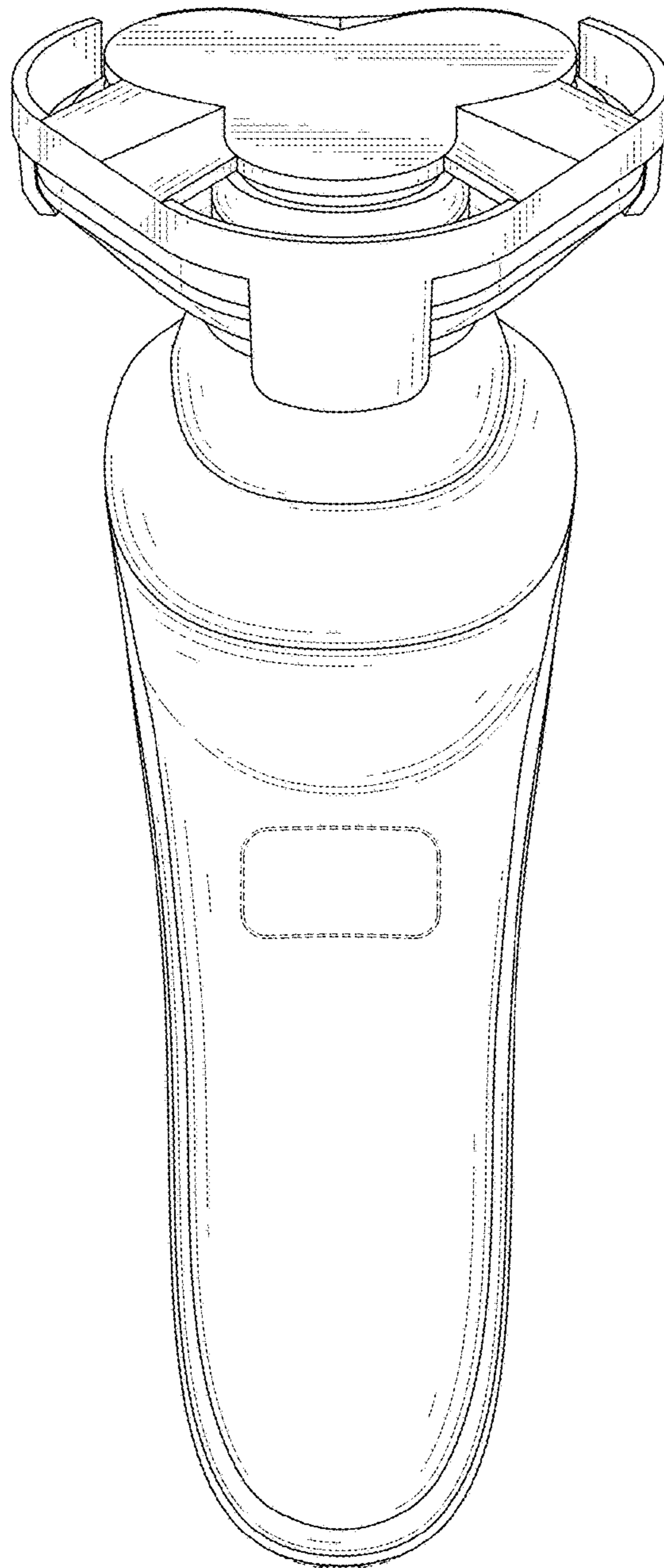


FIG. 3

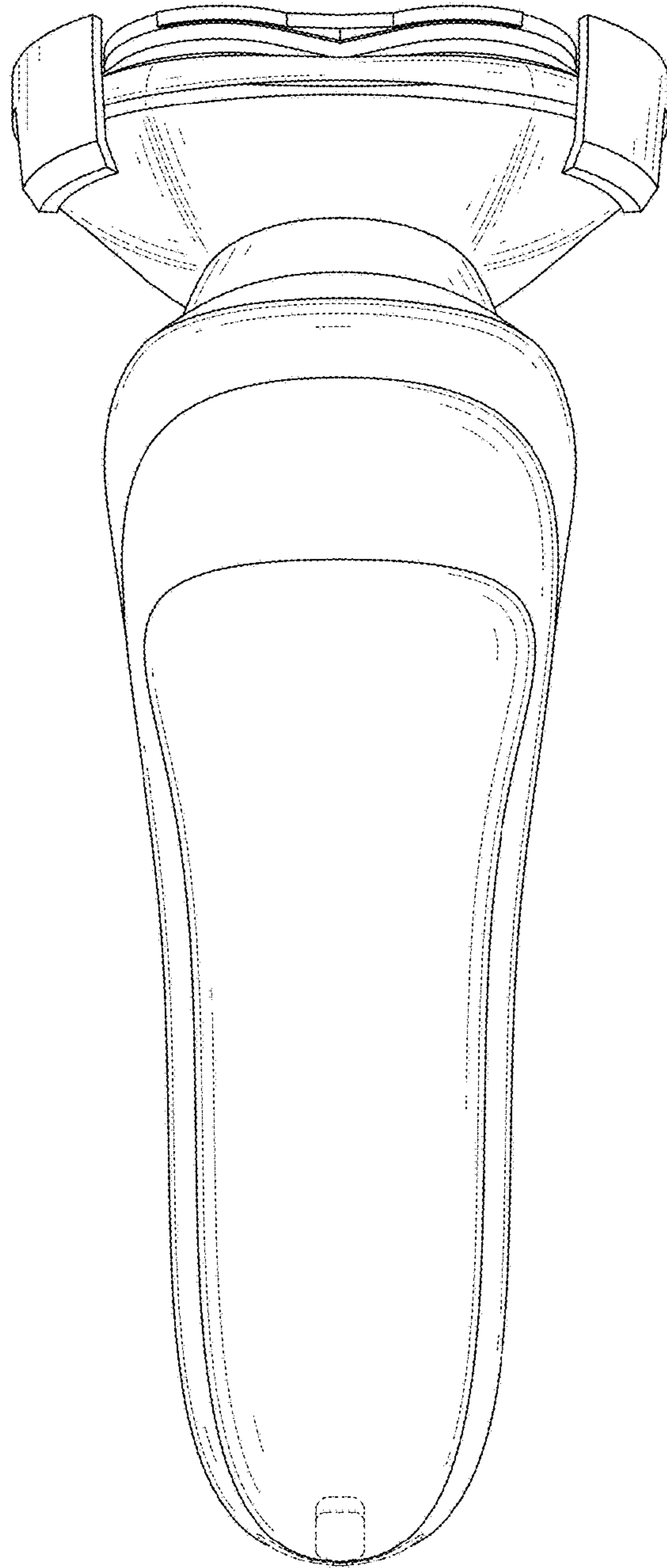


FIG. 4

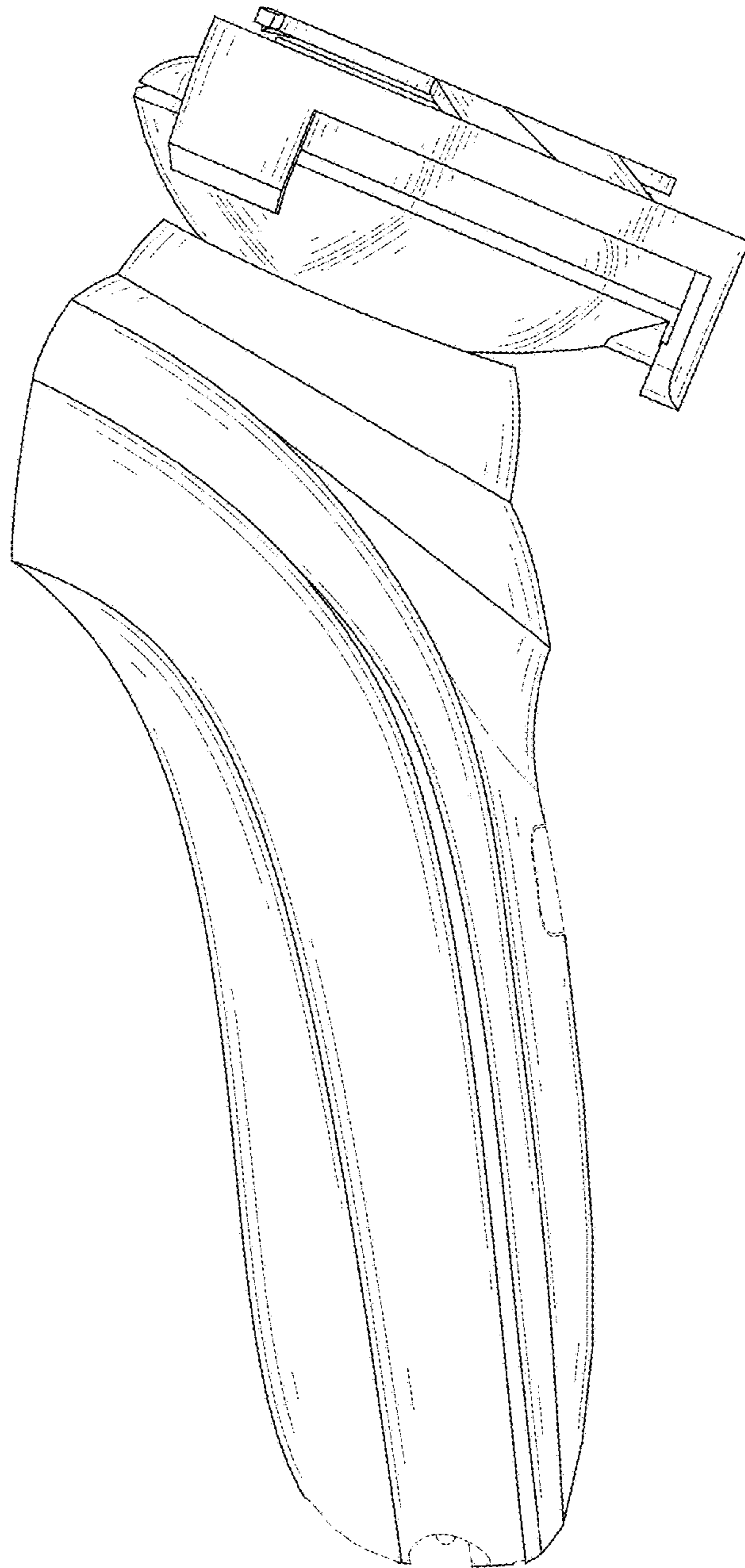


FIG. 5

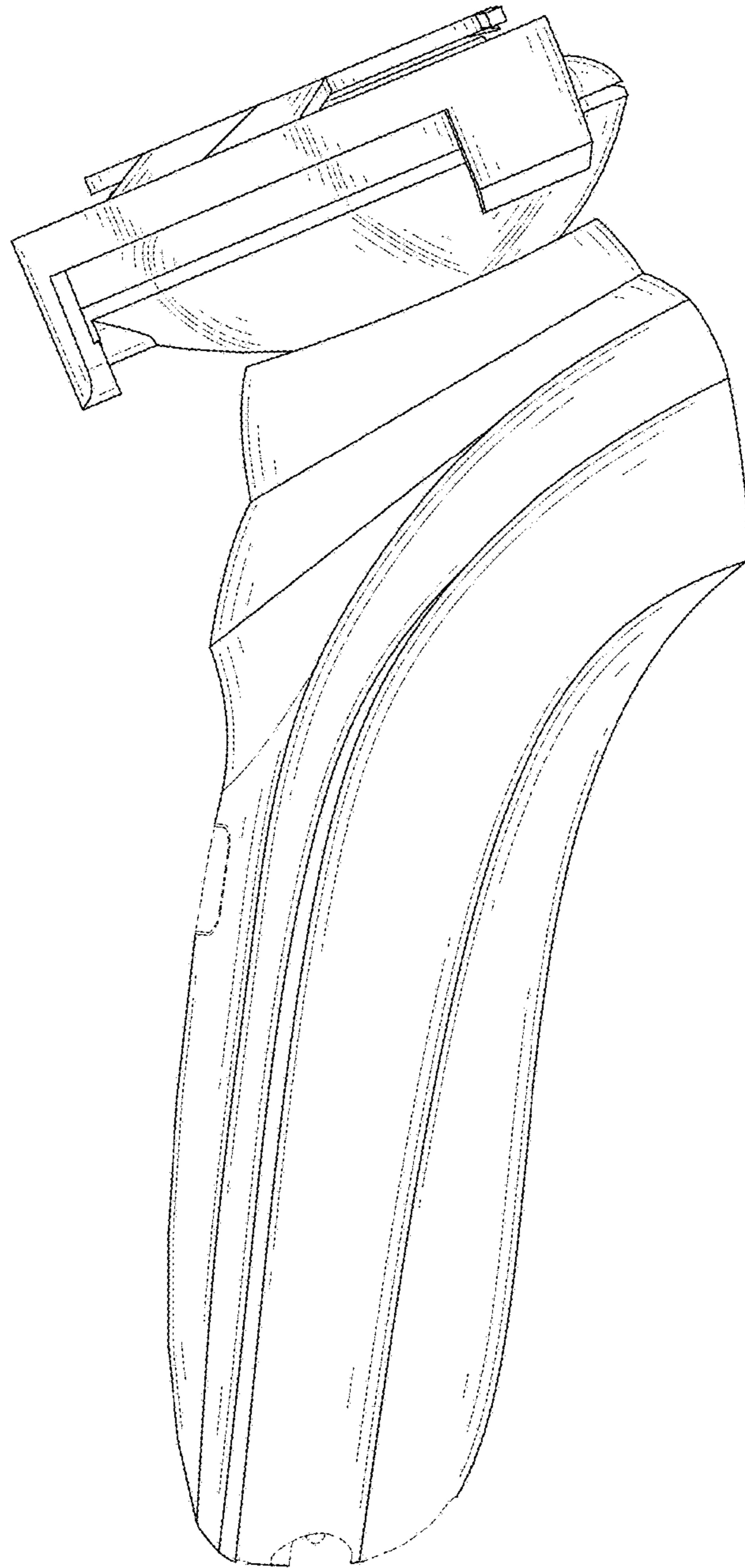


FIG. 6

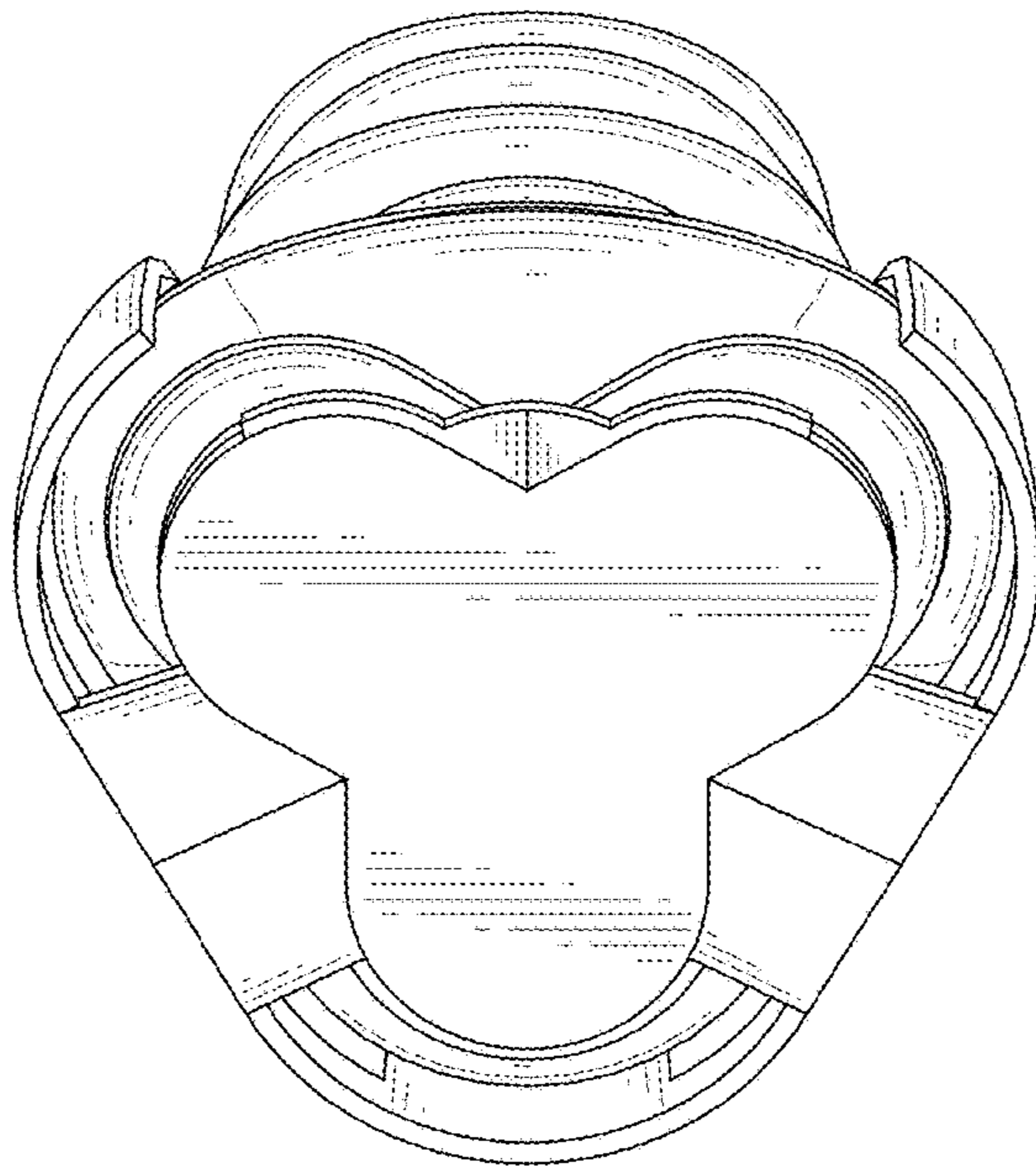


FIG. 7

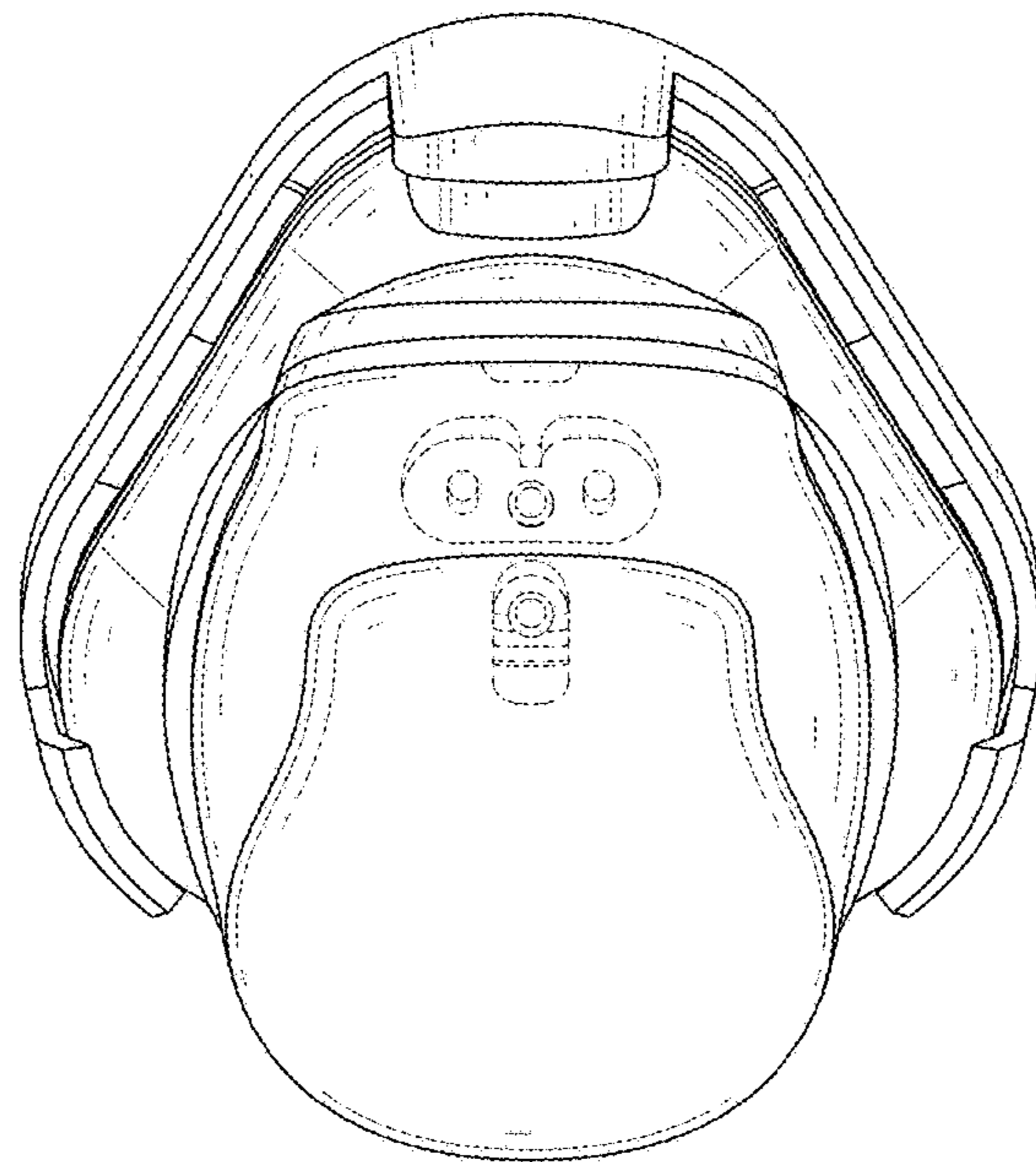


FIG. 8