



US00D857293S

(12) **United States Design Patent**
Kim

(10) **Patent No.:** **US D857,293 S**

(45) **Date of Patent:** **** Aug. 20, 2019**

(54) **HAIR CLIP**

(71) Applicants: **Chang-Ki Kim**, Yongin-si (KR);
VALLA CO., LTD, Seoul (KR)

(72) Inventor: **Chang-Ki Kim**, Yongin-si (KR)

(**) Term: **15 Years**

(21) Appl. No.: **29/636,932**

(22) Filed: **Feb. 13, 2018**

(51) **LOC (12) Cl.** **28-03**

(52) **U.S. Cl.**
USPC **D28/40**

(58) **Field of Classification Search**
USPC D28/21, 39-43
CPC A45D 8/00; A45D 8/002; A45D 8/004;
A45D 8/006; A45D 8/14; A45D 8/16;
A45D 8/18; A45D 8/185; A45D 8/20;
A45D 8/22; A45D 8/24
See application file for complete search history.

(56) **References Cited**

U.S. PATENT DOCUMENTS

D145,893 S * 11/1946 Graham 132/225
D203,095 S * 11/1965 Schroeder D28/40

D292,327 S * 10/1987 Kalichman D28/40
D348,121 S * 6/1994 Park D28/40
D429,030 S * 8/2000 Yasuda D28/40
D464,465 S * 10/2002 Yasuda D28/40
D480,509 S * 10/2003 Yasuda D28/40
D540,982 S * 4/2007 Vergona D28/40
D632,432 S * 2/2011 Holloway D28/40

* cited by examiner

Primary Examiner — Zenia I Bennett

(74) *Attorney, Agent, or Firm* — Patent Office of Dr.
Chung Park

(57) **CLAIM**

The ornamental design for a hair clip, as shown and described.

DESCRIPTION

FIG. 1 is perspective view of the top, front and right side of a hair clip showing new design;
FIG. 2 is a front elevational view thereof;
FIG. 3 is a rear elevational view thereof;
FIG. 4 is a left side elevational view thereof;
FIG. 5 is a right side elevational view thereof;
FIG. 6 is a top plan view thereof; and,
FIG. 7 is a bottom plan view thereof.

1 Claim, 4 Drawing Sheets

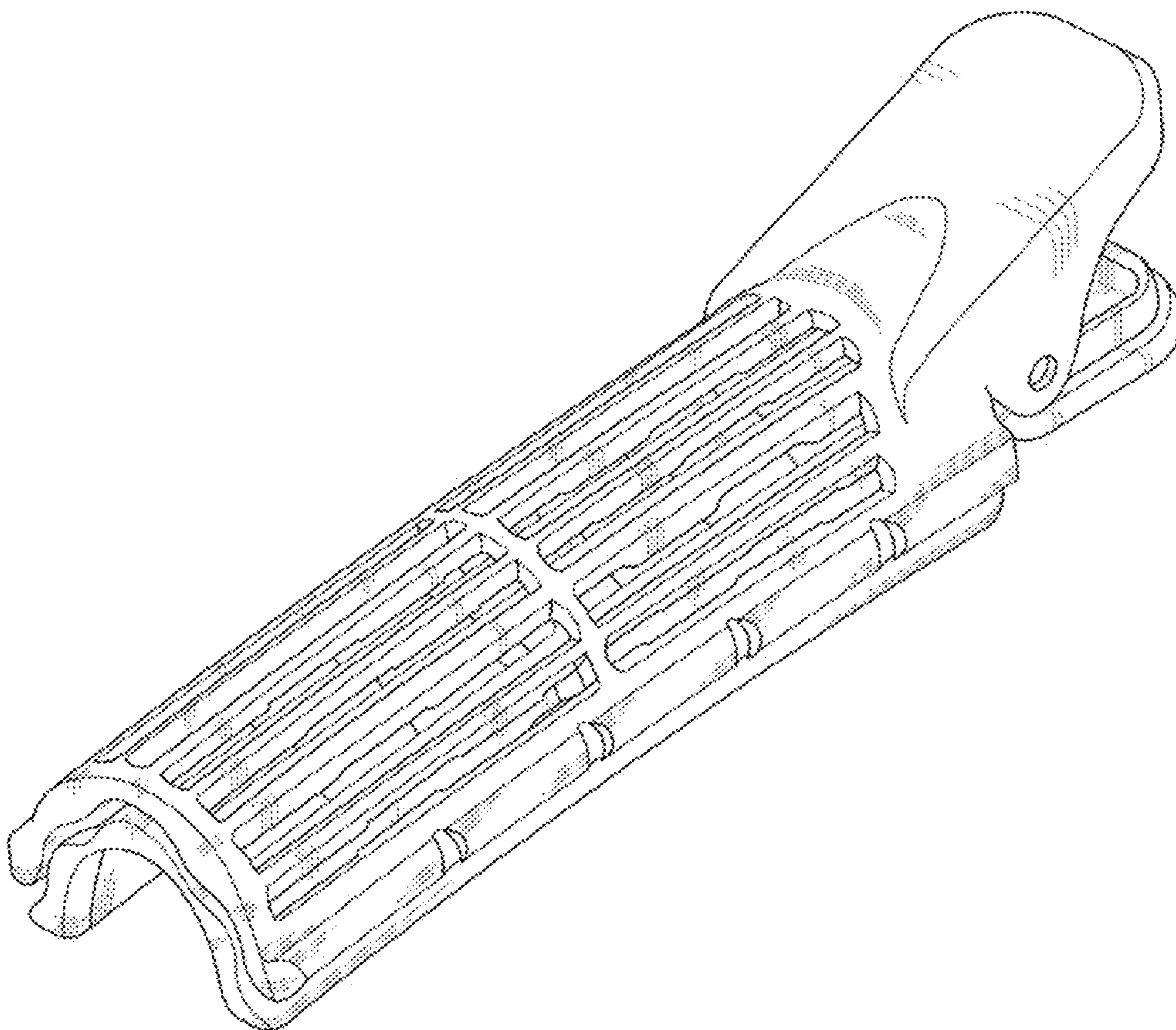


FIG. 1

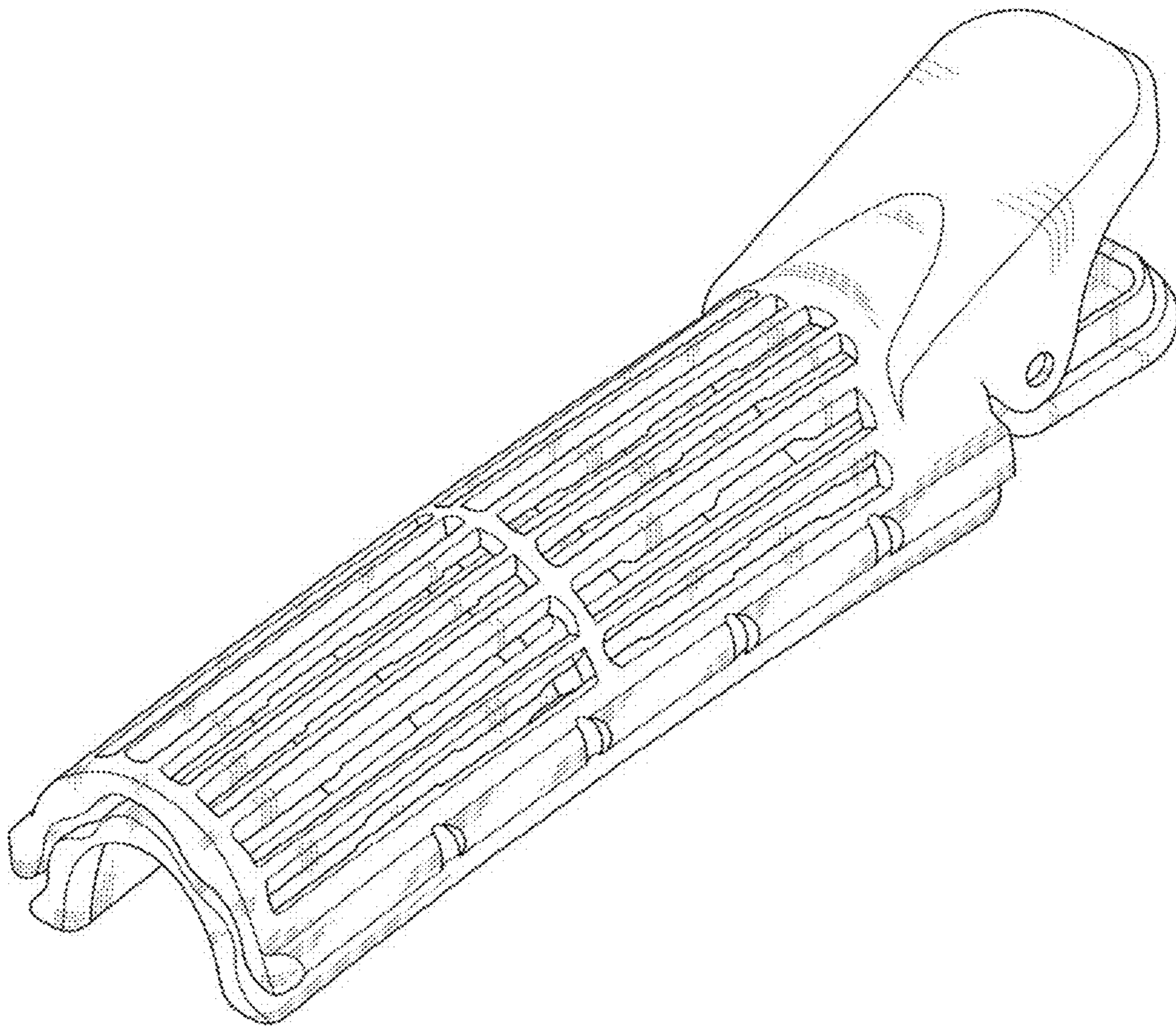


FIG. 2

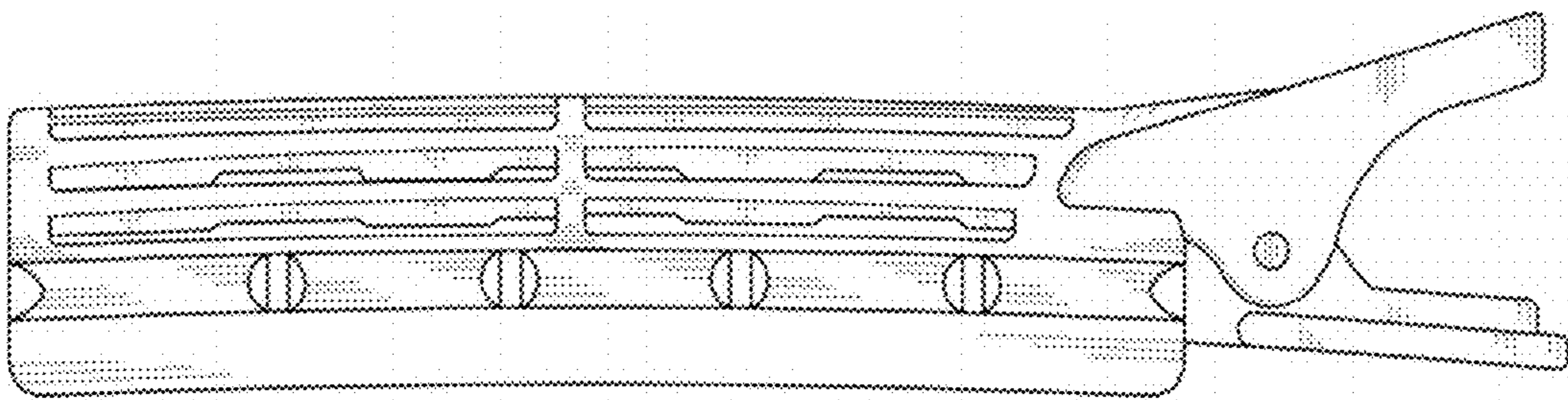


FIG. 3

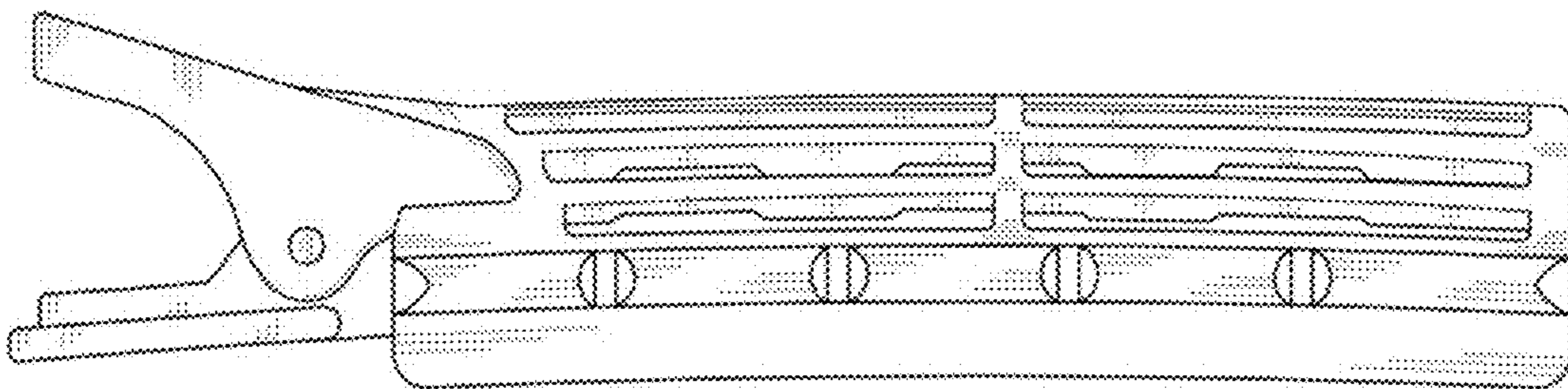


FIG. 4

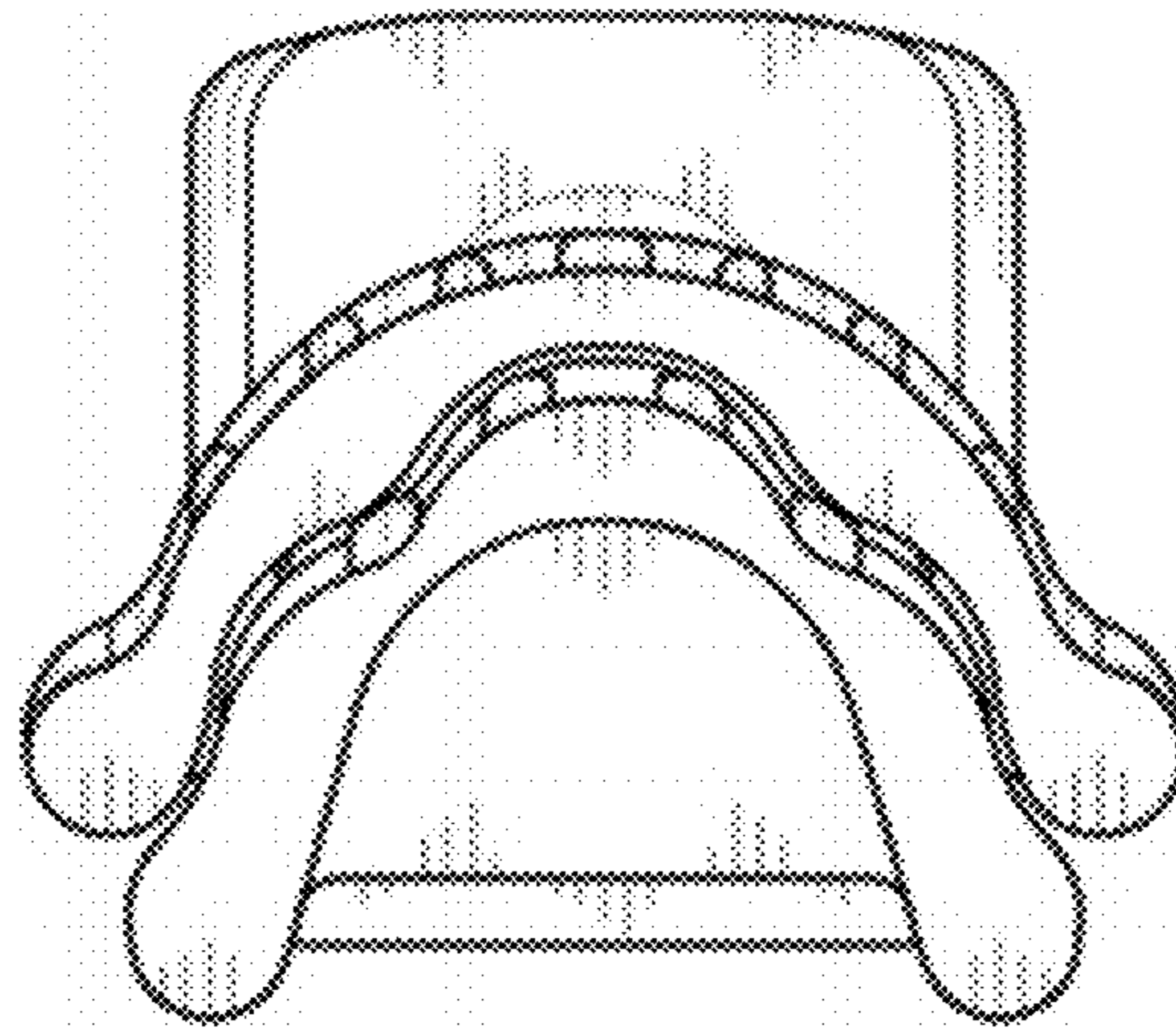


FIG. 5

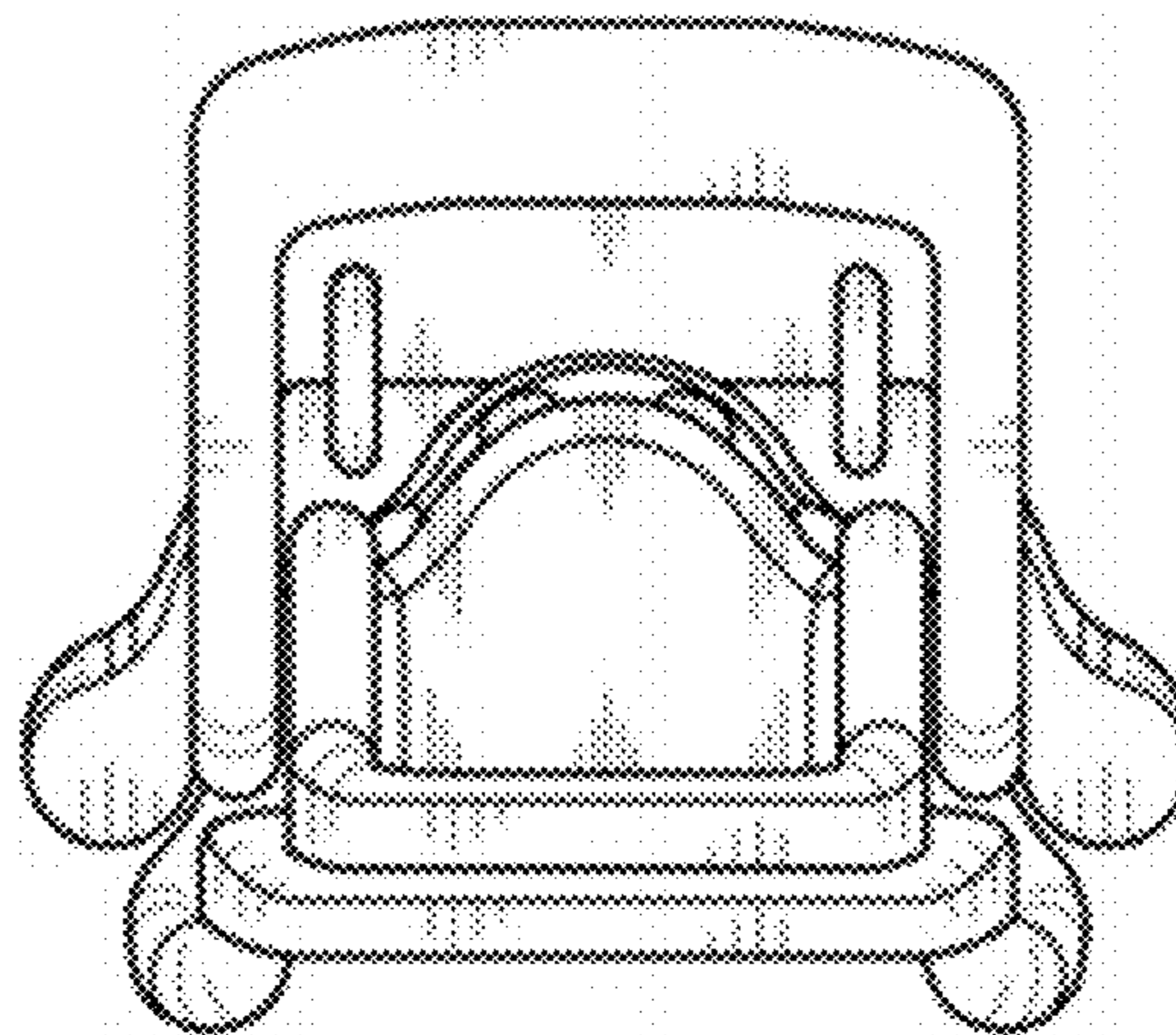


FIG. 6

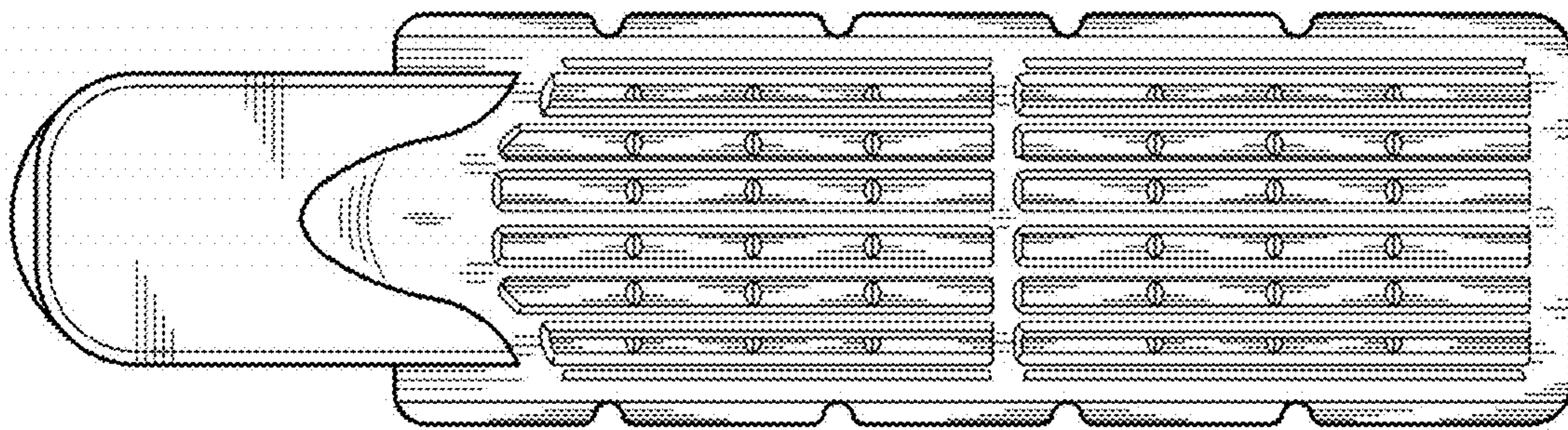


FIG. 7

