



US00D857292S

(12) **United States Design Patent**
Hu

(10) **Patent No.:** **US D857,292 S**
(45) **Date of Patent:** **** Aug. 20, 2019**

(54) **HAIR CURLER**
(71) Applicant: **Dongguan Fumeikang Electrical Technology Co., LTD., Dongguan (CN)**
(72) Inventor: **Haowen Hu, Dongguan (CN)**
(73) Assignee: **DONGGUAN FUMEIKANG ELECTRICAL TECHNOLOGY CO., LTD., Dongguan (CN)**

(**) Term: **15 Years**
(21) Appl. No.: **29/641,827**
(22) Filed: **Mar. 26, 2018**

(30) **Foreign Application Priority Data**
Sep. 30, 2017 (CN) 2017 3 0473779
(51) **LOC (12) Cl.** **28-03**
(52) **U.S. Cl.**
USPC **D28/35**
(58) **Field of Classification Search**
USPC D28/10, 35, 37, 38
CPC ... A45D 1/00; A45D 1/04; A45D 2/00; A45D 2/02; A45D 4/00; A45D 8/00; A45D 7/02; A45D 8/40; A45D 2001/045; A45D 2001/008; A45D 19/16; A45D 1/28; A45D 2/001; A45D 2/002; A45D 2/04; A45D 2/06; A45D 2/08; A45D 2/10; A45D 2/12-22; A45D 2/24-34; A45D 2/36-367
See application file for complete search history.

(56) **References Cited**
U.S. PATENT DOCUMENTS
2,347,693 A * 5/1944 Krasberg A45D 6/045
132/242
4,731,519 A * 3/1988 Dieterle A45D 1/04
132/232

D314,444 S * 2/1991 Ho D28/35
D580,097 S * 11/2008 Leung D28/35
D629,563 S * 12/2010 Mau D28/35
8,776,805 B2 * 7/2014 deGrood A45D 1/04
132/224
D736,464 S * 8/2015 Fernandes da Costa D28/35
9,149,101 B2 * 10/2015 Richmond A45D 7/02
D748,331 S * 1/2016 Prats D28/35
D786,506 S * 5/2017 Ceva D28/35
D816,270 S * 4/2018 Yue D28/35
D821,031 S * 6/2018 Feng D28/35
D833,676 S * 11/2018 Lee D28/35
2013/0240498 A1 * 9/2013 Tang A45D 1/04
219/225
2013/0306099 A1 * 11/2013 Lam A45D 1/04
132/211
2014/0144458 A1 * 5/2014 Hein A45D 1/04
132/226

(Continued)

Primary Examiner — Jennifer Rivard
Assistant Examiner — Alison M Ofstun
(74) *Attorney, Agent, or Firm* — Shimokaji IP

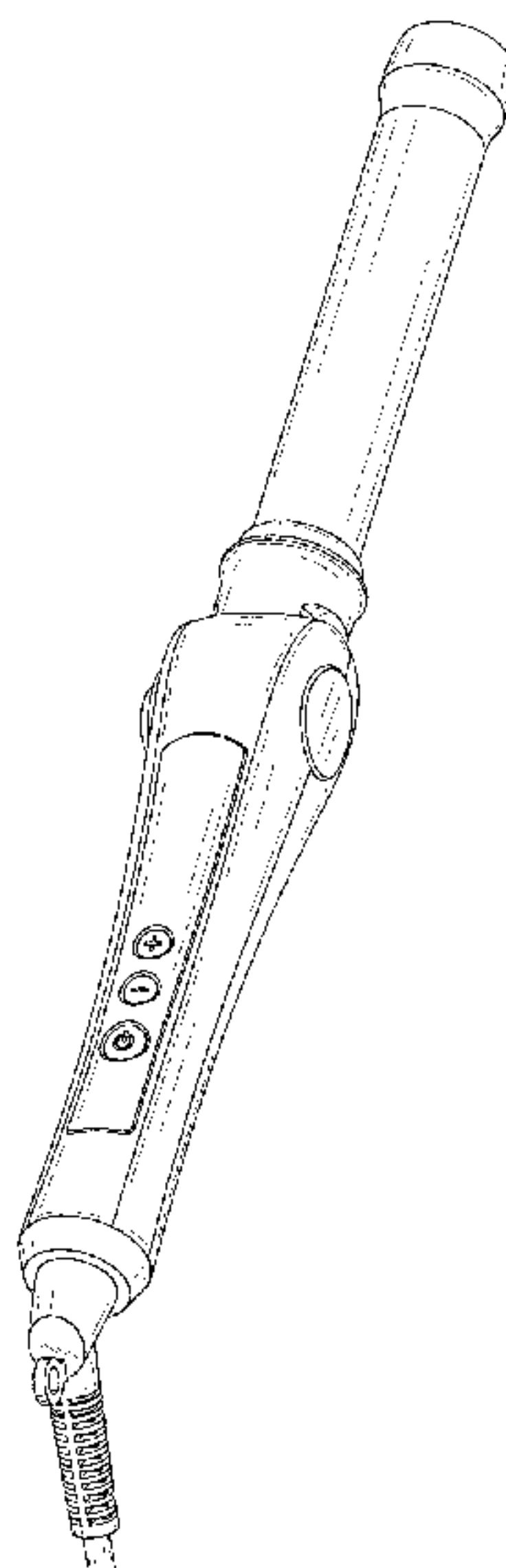
(57) **CLAIM**

The ornamental design for a hair curler, as shown and described.

DESCRIPTION

FIG. 1 is a front elevation view of a hair curler showing our design;
FIG. 2 is a rear elevational view thereof;
FIG. 3 is a left side elevational view thereof;
FIG. 4 is a right side elevational view thereof;
FIG. 5 is a top plan view thereof;
FIG. 6 is a bottom plan view thereof;
FIG. 7 is a perspective view thereof;
FIG. 8 is another perspective view thereof; and,
FIG. 9 is a perspective view thereof, shown in an alternate position of use.

1 Claim, 6 Drawing Sheets



(56)

References Cited

U.S. PATENT DOCUMENTS

2018/0000216 A1* 1/2018 Gonzalez A45D 1/04
2018/0168309 A1* 6/2018 Chelle A45D 1/16
2018/0249801 A1* 9/2018 Aizenberg A45D 2/367
2018/0360185 A1* 12/2018 Yates A45D 2/367

* cited by examiner

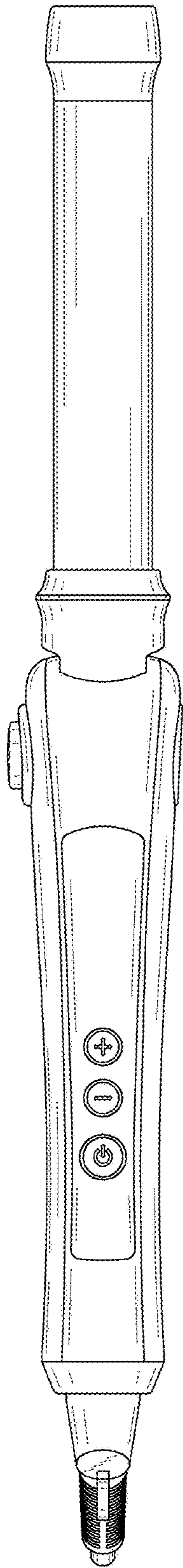


Fig.1

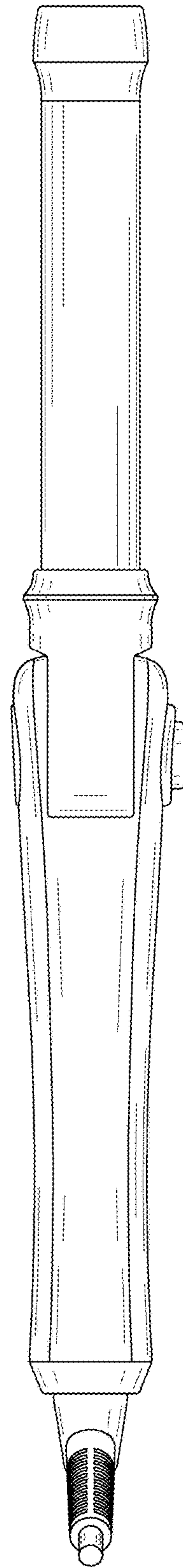


Fig.2

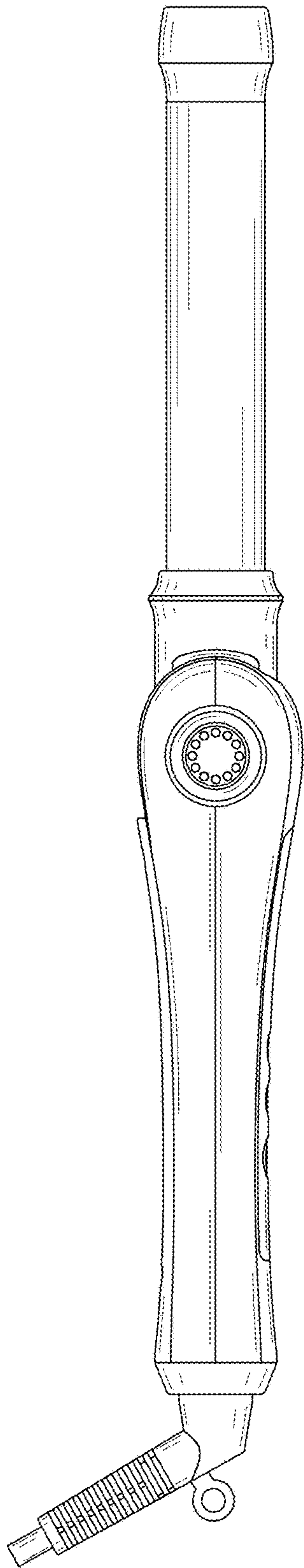


Fig.3

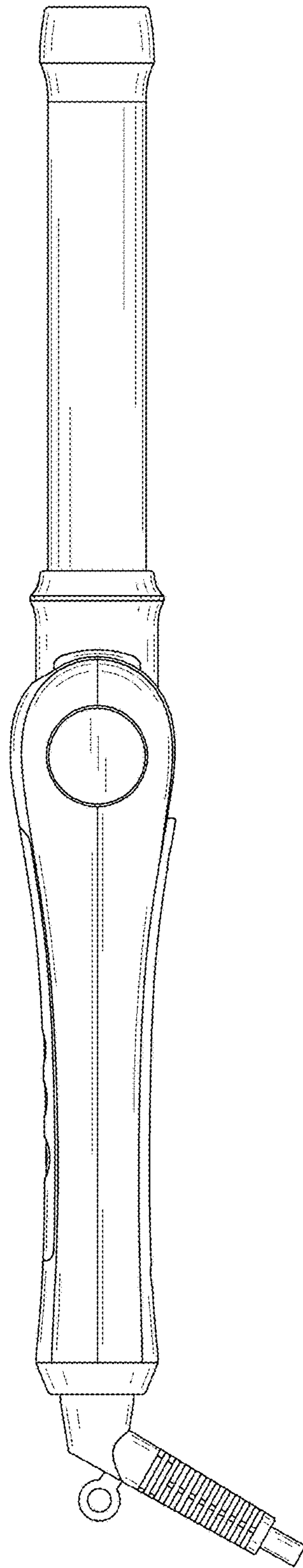


Fig.4

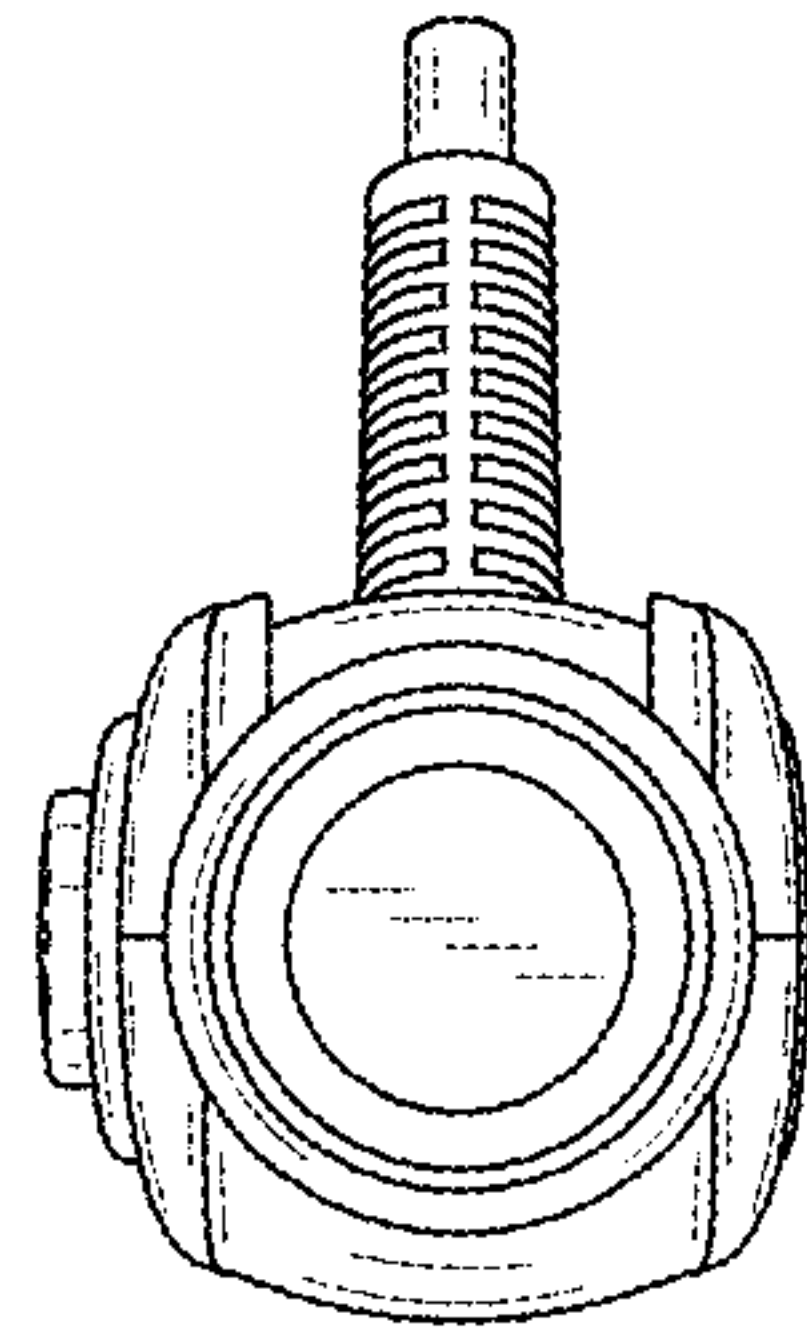


Fig.5

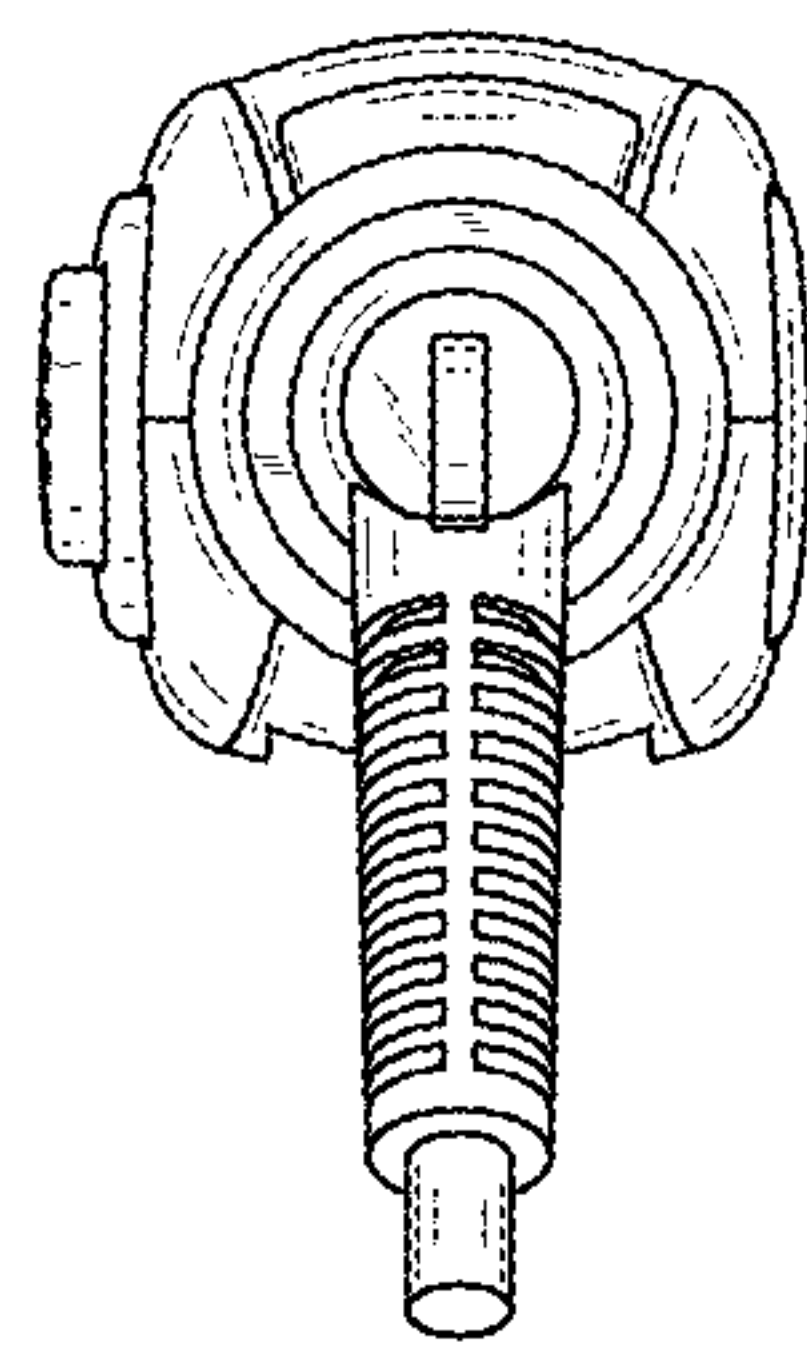


Fig.6

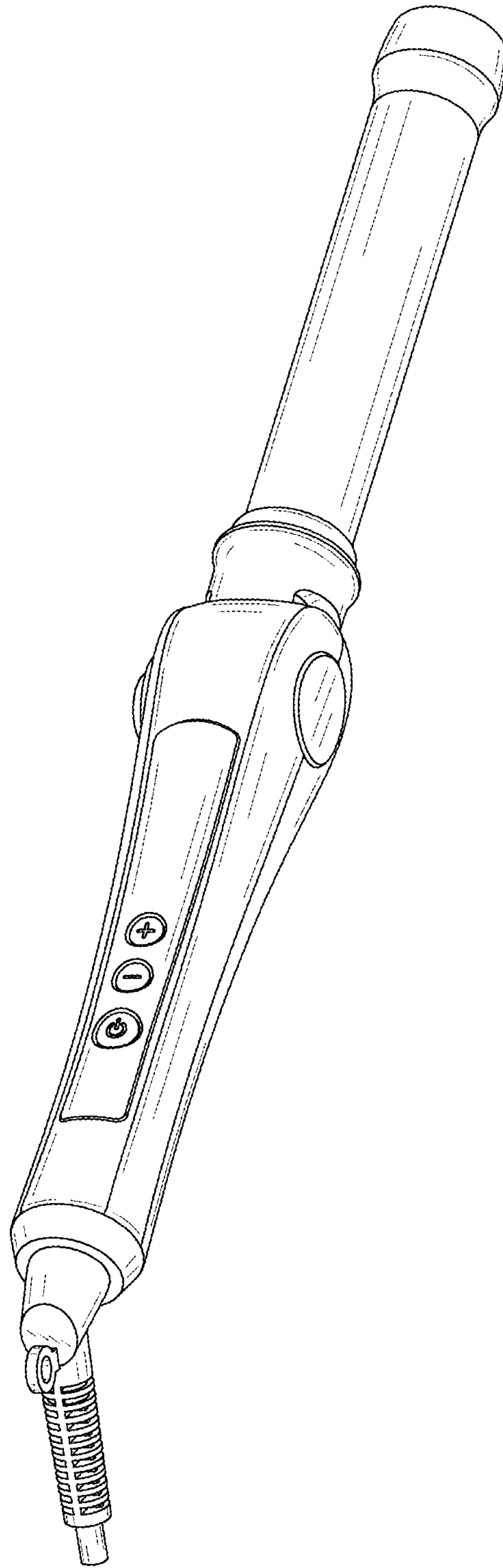


Fig.7

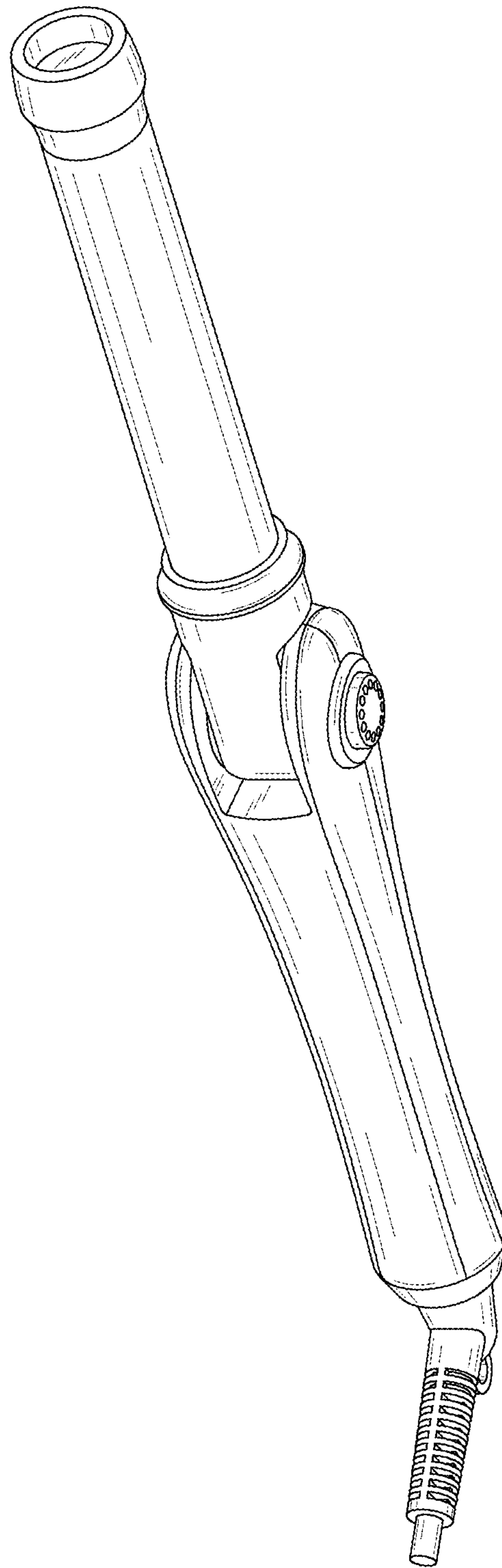


Fig.8

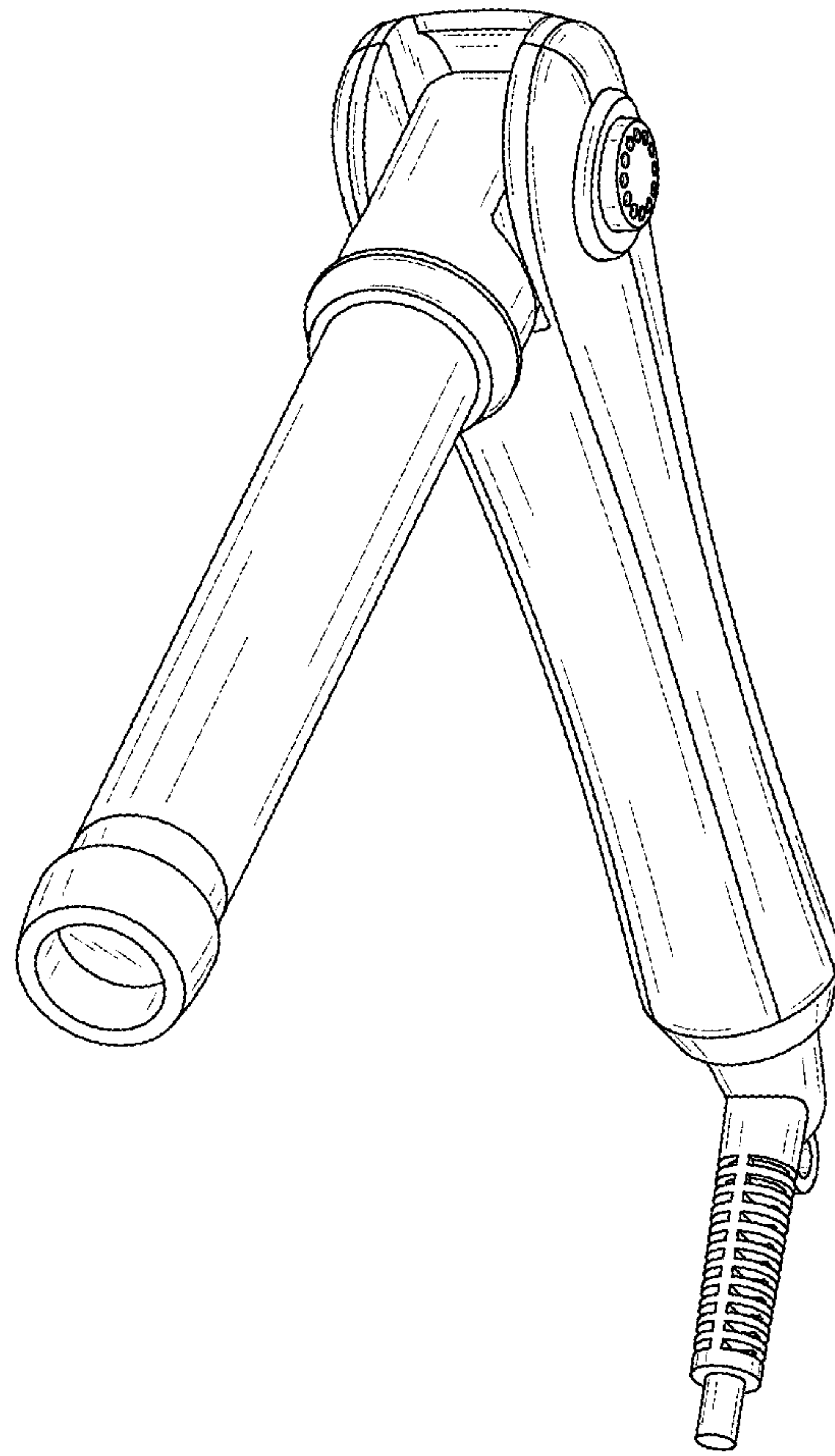


Fig.9