



US00D857291S

(12) **United States Design Patent** (10) **Patent No.:** **US D857,291 S**
Xiang (45) **Date of Patent:** **** Aug. 20, 2019**

(54) **COSMETIC APPLICATOR**
(71) Applicant: **Guangen Xiang**, Irvine, CA (US)
(72) Inventor: **Guangen Xiang**, Irvine, CA (US)
(**) Term: **15 Years**
(21) Appl. No.: **29/646,248**
(22) Filed: **May 2, 2018**
(51) **LOC (12) Cl.** **28-03**
(52) **U.S. Cl.**
USPC **D28/7**
(58) **Field of Classification Search**
USPC D28/7, 8, 30, 31, 43, 76, 85, 99;
D7/361, 393, 395; D9/723, 724, 725,
D9/726; D24/119
CPC A45D 2200/10; A45D 2200/1009; A45D
2200/1036; A45D 40/262; A61M 35/00;
A61M 35/003
See application file for complete search history.

D641,930 S * 7/2011 Poletto D28/7
D693,059 S * 11/2013 Tani D28/7
D797,371 S * 9/2017 Stadlbauer D28/7
D801,830 S * 11/2017 Zhang D9/724
D806,314 S * 12/2017 Hamida D28/7
D812,294 S * 3/2018 Wilson D28/7
D816,897 S * 5/2018 Corsi D28/7
D818,641 S * 5/2018 Wilson D28/7
D835,419 S * 12/2018 Lim D4/135
2010/0160873 A1* 6/2010 Goldrain A45D 29/17
604/311

* cited by examiner

Primary Examiner — Janice Hallmark
Assistant Examiner — Rebecca Tsehaye
(74) *Attorney, Agent, or Firm* — John D. Tran; Rhema
Law Group

(57) **CLAIM**

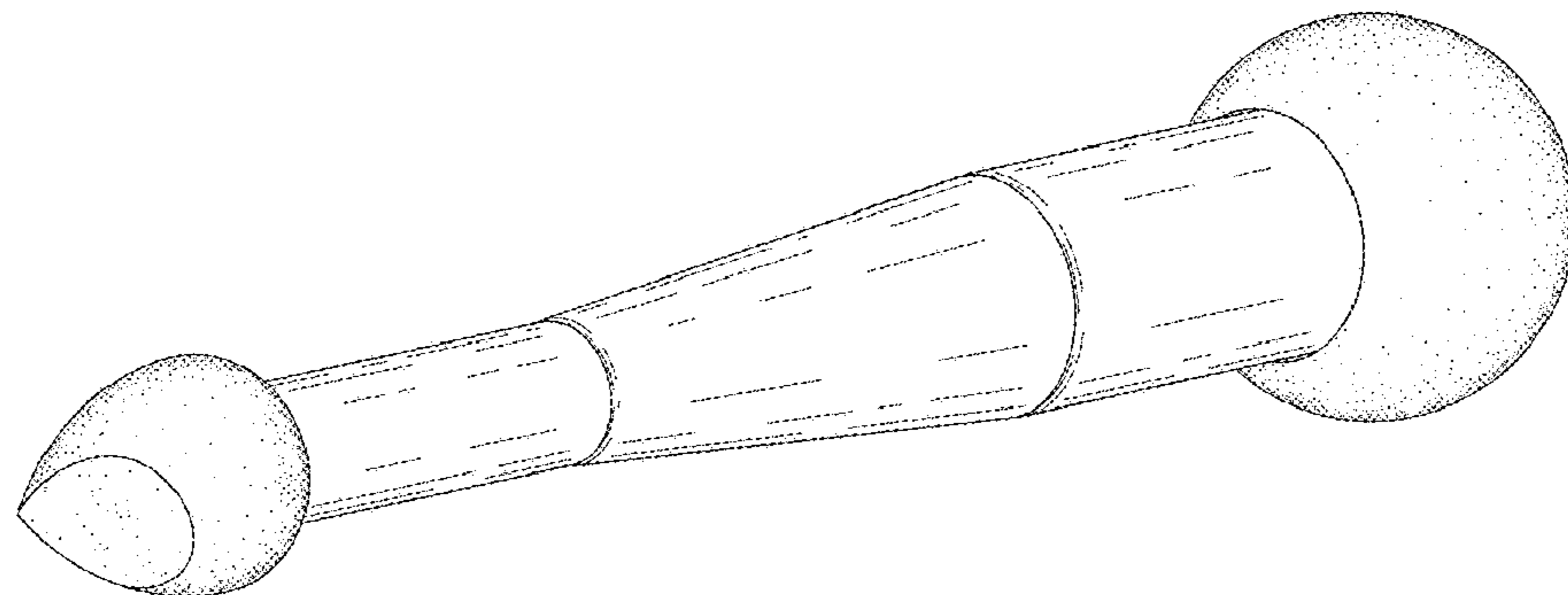
The ornamental design for a cosmetic applicator.

DESCRIPTION

FIG. 1 is a perspective front view of a cosmetic applicator showing my new design;
FIG. 2 is a front view thereof;
FIG. 3 is a back view thereof;
FIG. 4 is a left side view thereof;
FIG. 5 is a right side view thereof;
FIG. 6 is a top view thereof; and,
FIG. 7 is a bottom view thereof.

1 Claim, 2 Drawing Sheets

(56) **References Cited**
U.S. PATENT DOCUMENTS
D296,005 S * 5/1988 Alkire D24/119
D297,467 S * 8/1988 McCann D28/7
D394,915 S * 6/1998 Haining D28/7
D527,143 S * 8/2006 Fischer D28/7
D566,331 S * 4/2008 Hartstock D28/7
D586,048 S * 2/2009 Hartstock D28/7
D628,741 S * 12/2010 Uehara D28/7
D640,001 S * 6/2011 Limongi D28/7



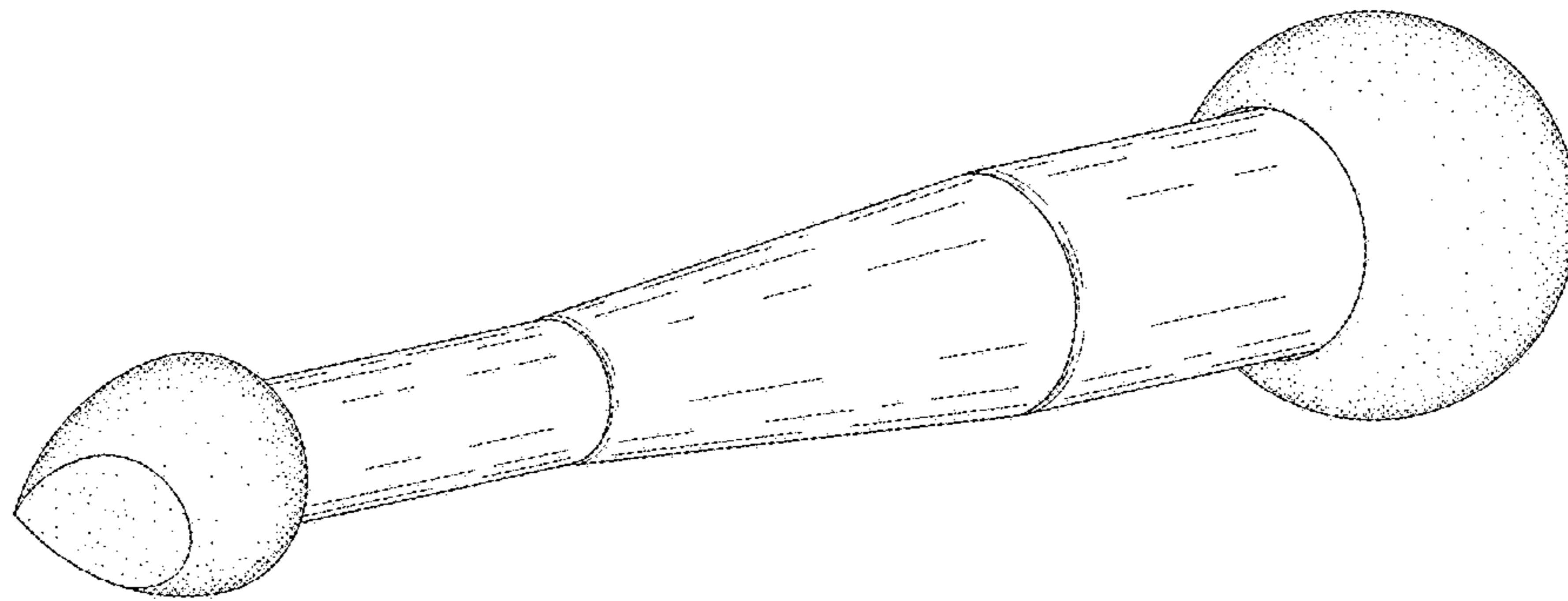


Fig. 1

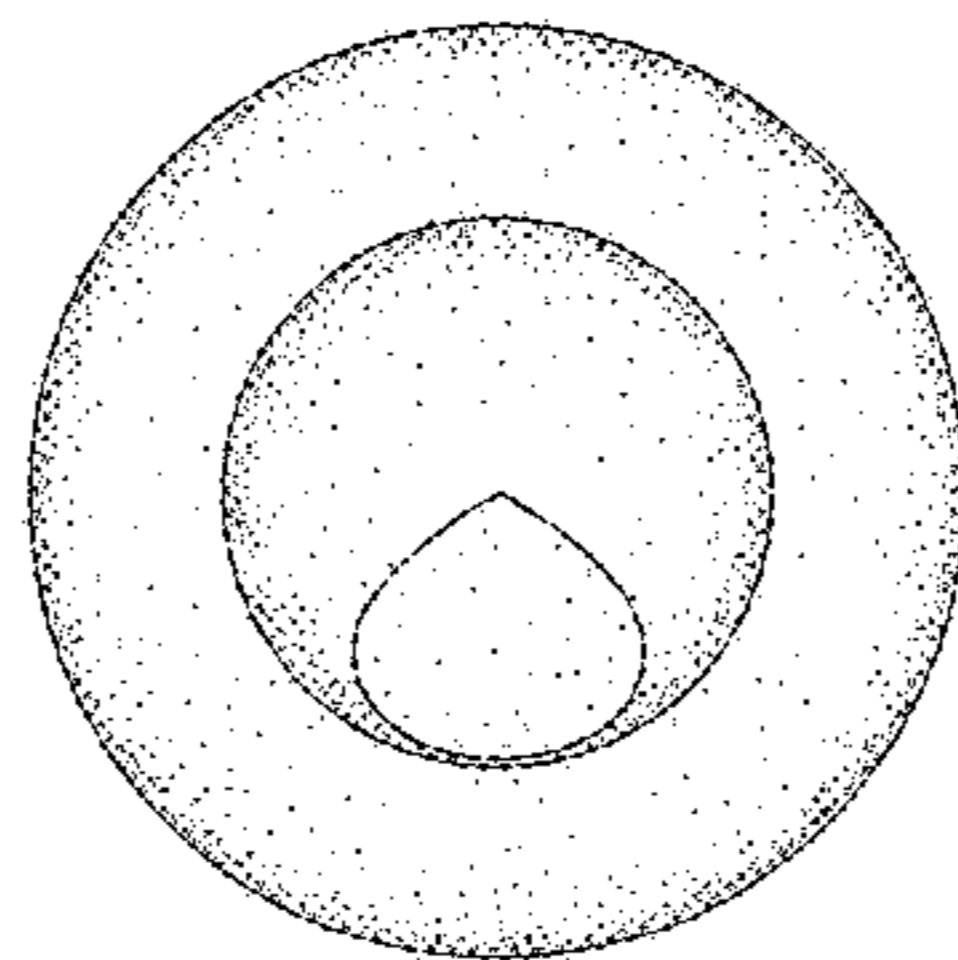


Fig. 2

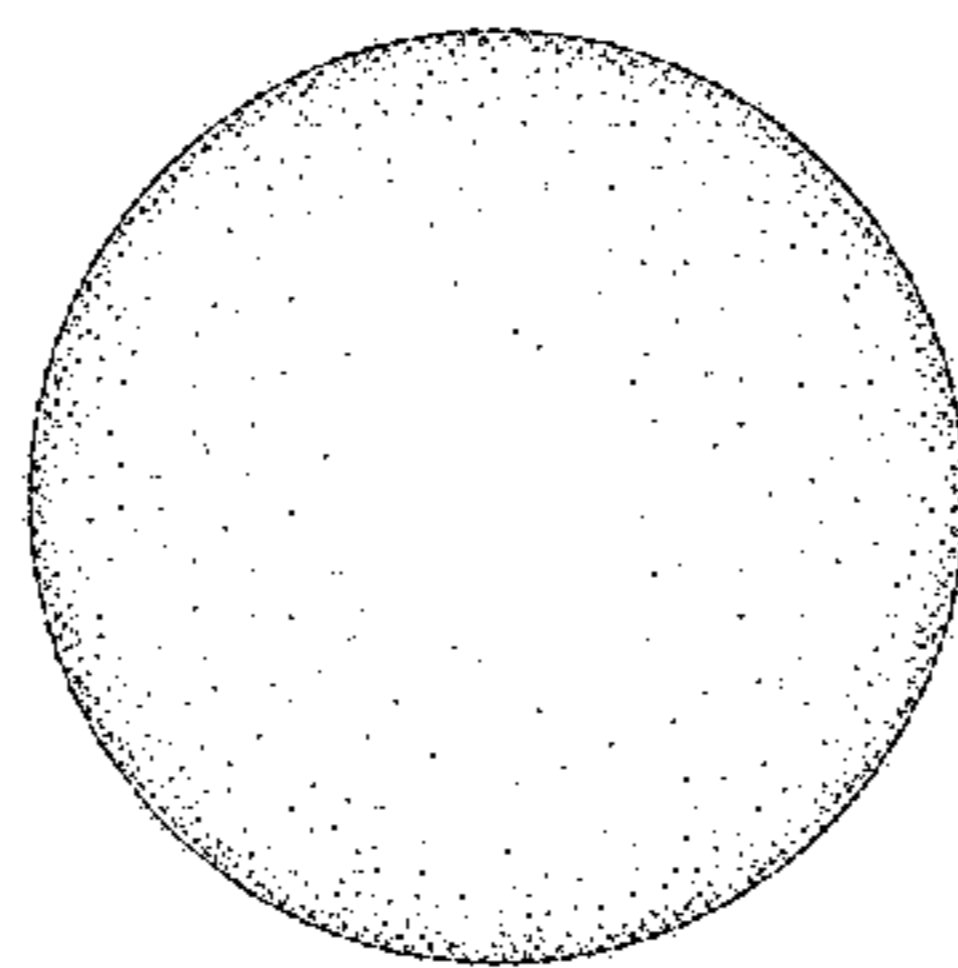


Fig. 3

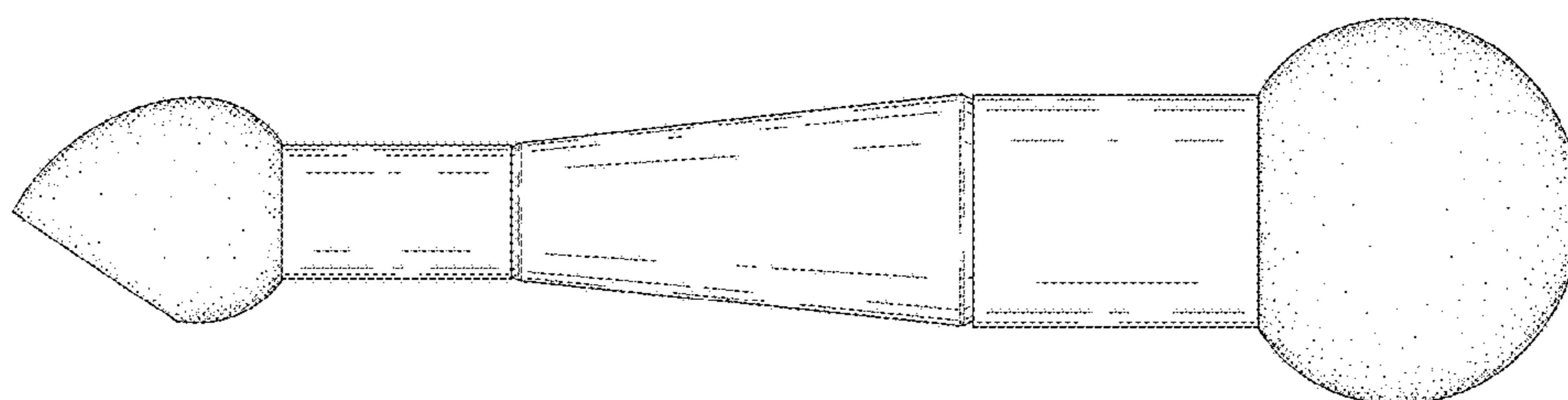


Fig. 4

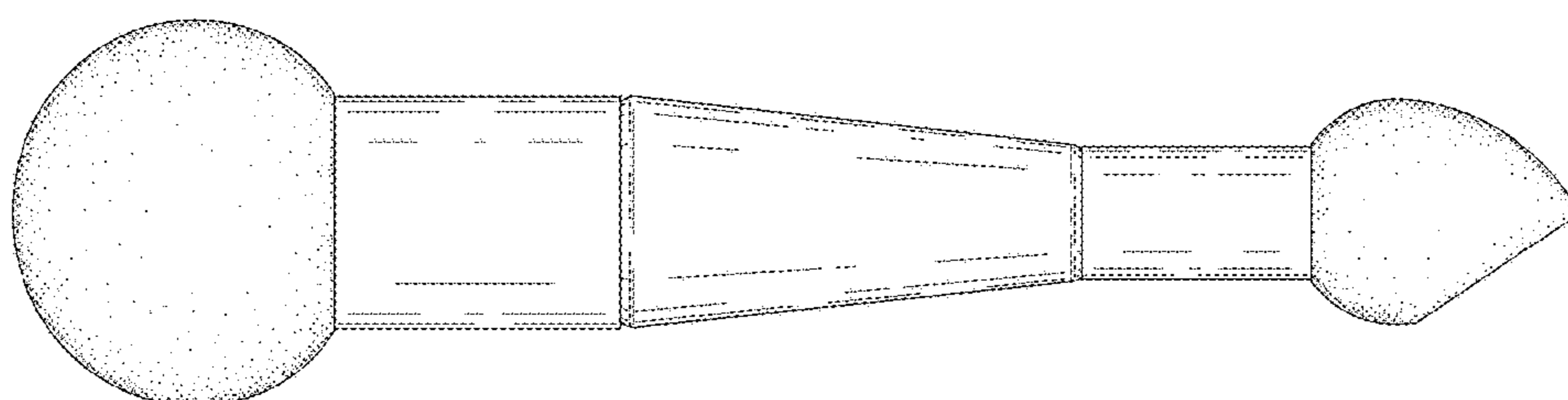


Fig. 5

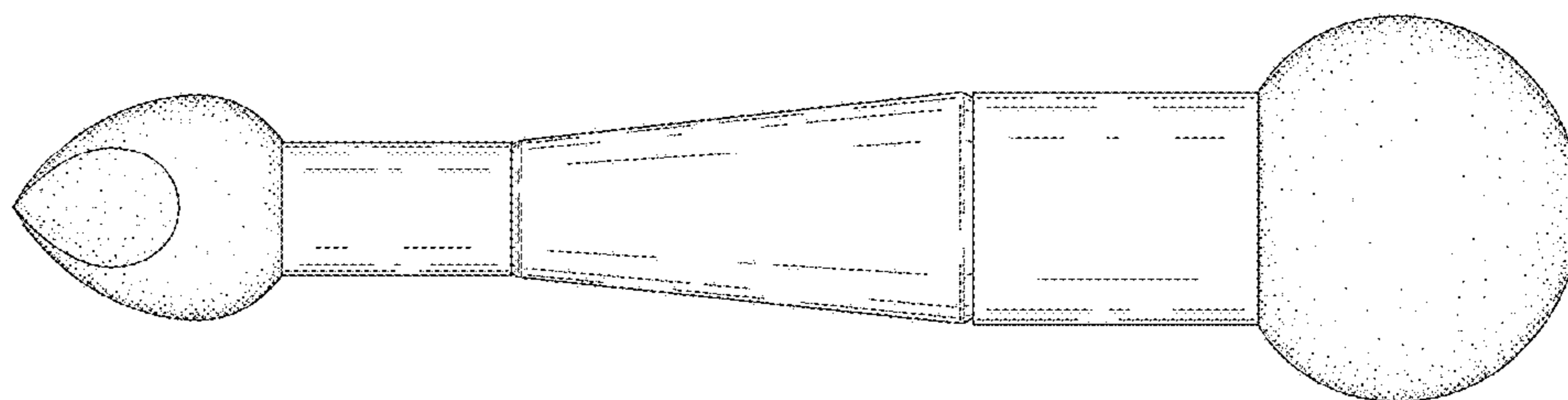


Fig. 6

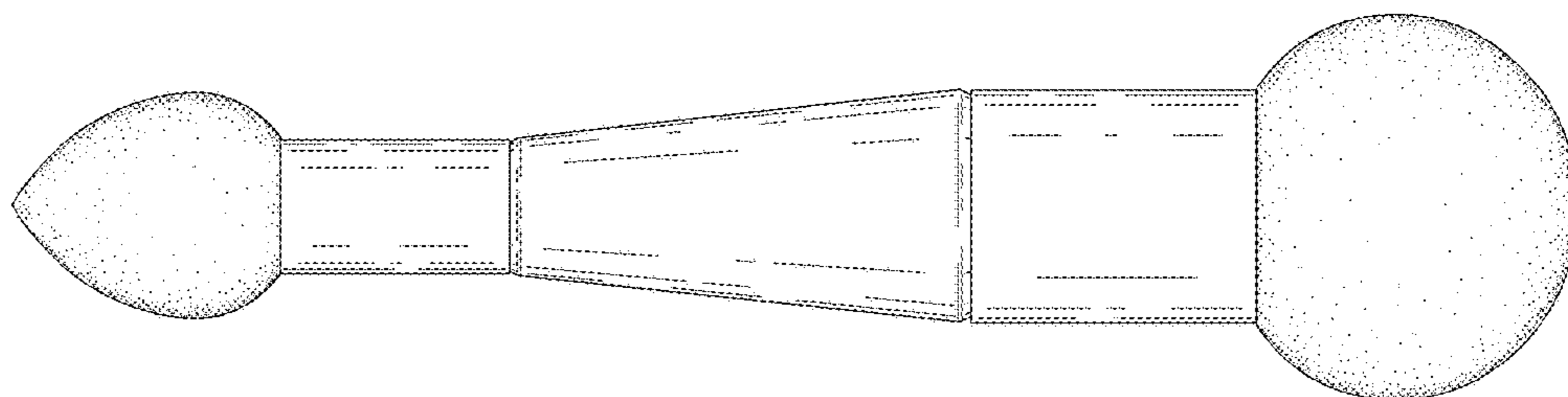


Fig. 7