



US00D857290S

(12) **United States Design Patent** (10) **Patent No.:** **US D857,290 S**
Crowe (45) **Date of Patent:** **** Aug. 20, 2019**

(54) **GLASS CORE ATOMIZER**
(71) Applicant: **Vuber Technologies**, Seattle, WA (US)
(72) Inventor: **David Crowe**, Lake Forest Park, WA (US)
(73) Assignee: **Vuber Technologies, Inc.**, Seattle, WA (US)
(**) Term: **15 Years**
(21) Appl. No.: **29/667,723**
(22) Filed: **Oct. 24, 2018**
(51) **LOC (12) Cl.** **27-02**
(52) **U.S. Cl.**
USPC **D27/162; D27/194**
(58) **Field of Classification Search**
USPC D27/100, 101, 139-161, 162-194;
D23/366; D7/416
CPC A24F 47/008; A24F 47/002; A24F 7/00;
A24F 15/12
See application file for complete search history.

D800,382 S * 10/2017 Mathias D27/167
D806,941 S * 1/2018 Hawes D27/101
D806,943 S * 1/2018 Liu D27/101
D809,190 S * 1/2018 Schuler D27/101
D811,652 S * 2/2018 Liu D27/167
D814,103 S * 3/2018 Levinson D27/101
D817,544 S * 5/2018 Chen D27/167
9,980,522 B1 * 5/2018 Heidl A24F 47/008
9,993,028 B2 * 6/2018 Li A24F 47/008
D823,534 S * 7/2018 Chen D27/162
D823,535 S * 7/2018 Xu D27/163
D824,586 S 7/2018 Fornarelli
D825,840 S * 8/2018 Xu D27/163
D825,841 S * 8/2018 Xu D27/163
D825,842 S * 8/2018 Xu D27/163
D825,844 S * 8/2018 Verleur D27/167
D826,470 S * 8/2018 Huang D27/167

(Continued)

OTHER PUBLICATIONS

Vuber Vaporizers The C1 Tanker. by Vuber. no date on site. found online [Dec. 28, 2018] <https://vubervaporizers.com/product/core/>.
(Continued)

Primary Examiner — Marissa J Cash
(74) *Attorney, Agent, or Firm* — Walker Weitzel

(56) **References Cited**

U.S. PATENT DOCUMENTS

D485,639 S 1/2004 Stronski
D588,741 S 3/2009 Murdaugh, III
D688,416 S 8/2013 Liu
D721,202 S * 1/2015 Liu D27/101
D724,263 S * 3/2015 Malhi D27/101
D724,779 S * 3/2015 Liu D27/101
D749,261 S * 2/2016 Chen D27/162
D752,279 S * 3/2016 Liu D27/101
D767,818 S * 9/2016 Kayvon D27/162
D767,819 S * 9/2016 Kayvon D27/162
D772,478 S * 11/2016 Liu D27/167
D774,247 S 12/2016 Chen
D777,372 S 1/2017 Liu
D799,113 S * 10/2017 Qiu D27/101

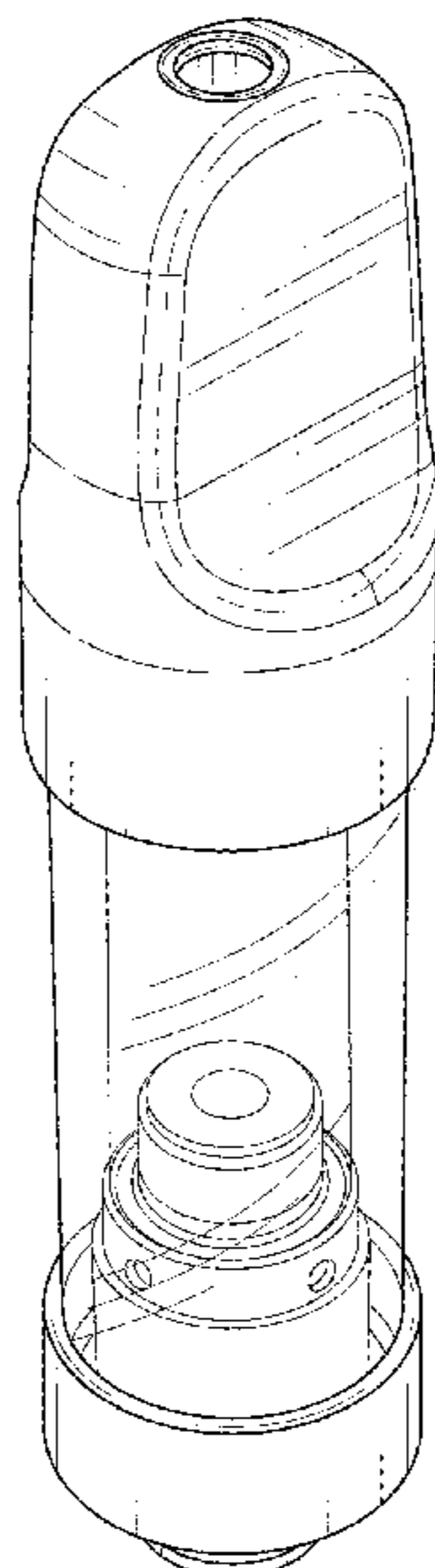
(57) **CLAIM**

The ornamental design for a glass core atomizer, substantially as shown and described.

DESCRIPTION

FIG. 1 is an upper perspective view of the glass core atomizer.
FIG. 2 is a side perspective view thereof.
FIG. 3 is lower perspective view thereof.
FIG. 4 is a top view thereof.
FIG. 5 is a front view thereof; and,
FIG. 6 is a side view thereof.

1 Claim, 6 Drawing Sheets



(56)

References Cited

U.S. PATENT DOCUMENTS

D826,471 S * 8/2018 Wang D27/167
 D829,976 S * 10/2018 Stone D27/101
 D832,498 S * 10/2018 Chen D27/101
 2015/0189918 A1* 7/2015 Liu H05B 3/03
 131/329
 2015/0189919 A1* 7/2015 Liu A24F 47/008
 131/329
 2015/0257444 A1* 9/2015 Chung A24F 47/008
 131/329
 2015/0257446 A1* 9/2015 Chung A24F 47/008
 131/329
 2015/0282528 A1* 10/2015 Liu A61M 15/06
 131/329
 2015/0282529 A1* 10/2015 Li A24F 47/008
 131/273
 2015/0335073 A1* 11/2015 Li A24F 47/008
 131/329
 2016/0000145 A1* 1/2016 Liu A61M 15/06
 131/329
 2016/0007654 A1* 1/2016 Zhu A24F 47/008
 131/328
 2016/0044966 A1* 2/2016 Li A24F 47/008
 131/329
 2016/0113327 A1* 4/2016 Wu H05B 3/06
 131/329
 2016/0135505 A1* 5/2016 Li H05B 3/44
 131/329
 2016/0206006 A1* 7/2016 Li H05B 1/0202
 2016/0219934 A1* 8/2016 Li A24F 47/008
 2016/0295920 A1* 10/2016 Liu H05B 3/0014
 2016/0345625 A1* 12/2016 Liu A24F 47/008
 2016/0366938 A1* 12/2016 Wu A24F 47/008

2017/0006923 A1* 1/2017 Li B67D 99/00
 2017/0013881 A1* 1/2017 Liu A24F 47/008
 2017/0027230 A1* 2/2017 Fornarelli A24F 47/008
 2017/0042229 A1* 2/2017 Liu B65D 25/56
 2017/0065001 A1* 3/2017 Li F16K 15/14
 2017/0071258 A1* 3/2017 Li A24F 47/008
 2017/0105453 A1* 4/2017 Li A24F 47/008
 2017/0127728 A1* 5/2017 Li B05B 7/1686
 2017/0196272 A1* 7/2017 Li A24F 47/008
 2017/0208869 A1* 7/2017 Li F16L 55/115
 2017/0273359 A1* 9/2017 Liu A61M 11/044
 2017/0280770 A1* 10/2017 Wang A24F 47/008
 2018/0000156 A1* 1/2018 Qiu A24F 47/008
 2018/0007961 A1* 1/2018 Zhu A24F 47/008
 2018/0027874 A1* 2/2018 Zhu A24F 47/008
 2018/0027881 A1* 2/2018 Chen A24F 47/008
 2018/0035715 A1* 2/2018 Wu H05B 1/0297
 2018/0035718 A1* 2/2018 Liu A24F 47/00
 2018/0042307 A1* 2/2018 Johnson A24F 47/008
 2018/0049470 A1* 2/2018 Chen A24F 47/008
 2018/0064172 A1* 3/2018 Qiu A24F 47/008
 2018/0116287 A1* 5/2018 Dai A24F 47/008
 2018/0116288 A1* 5/2018 Hu H05B 3/46
 2018/0116289 A1* 5/2018 Qiu A24F 47/008
 2018/0116290 A1* 5/2018 Li A24F 47/008
 2018/0116295 A1* 5/2018 Qiu A24F 47/008
 2018/0255835 A1* 9/2018 Crowe A24F 47/008
 2018/0352861 A1* 12/2018 Qiu A24F 47/008

OTHER PUBLICATIONS

Ceramic Drip tip Thick Oil Vaporizer Tank by DH Gate. dated 2018.
 found online [Dec. 18, 2018] <https://www.dhgate.com/product/ceramic-drip-tip-thick-oil-vaporizer-tank/418591468.html>.*

* cited by examiner

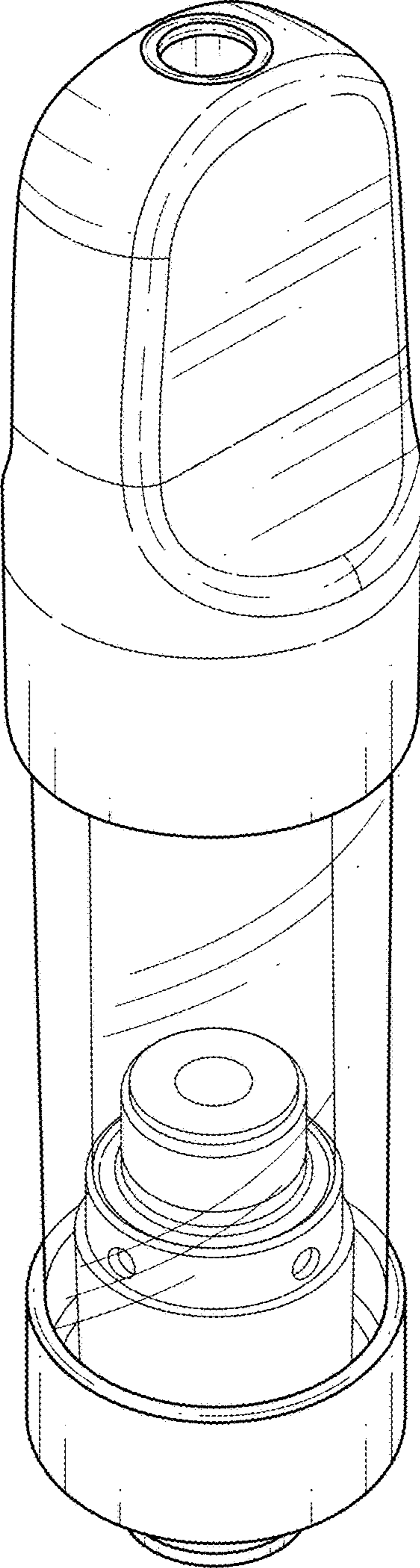


FIG. 1

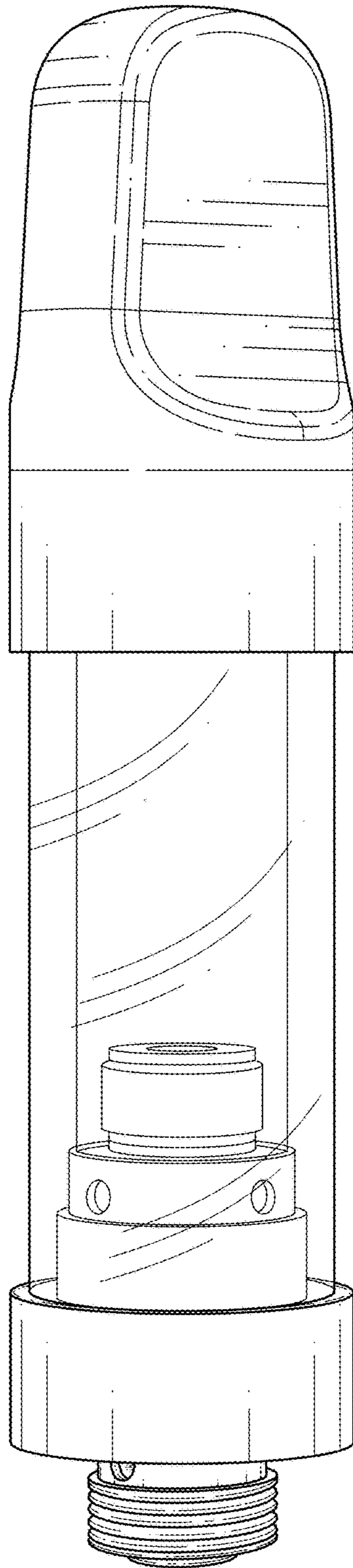


FIG. 2

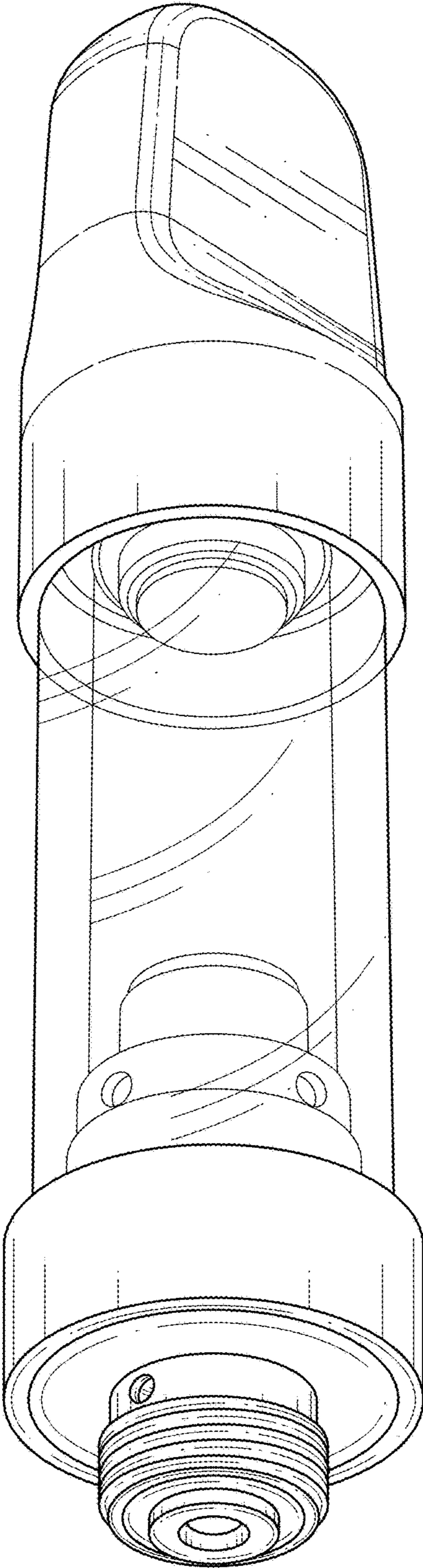


FIG. 3

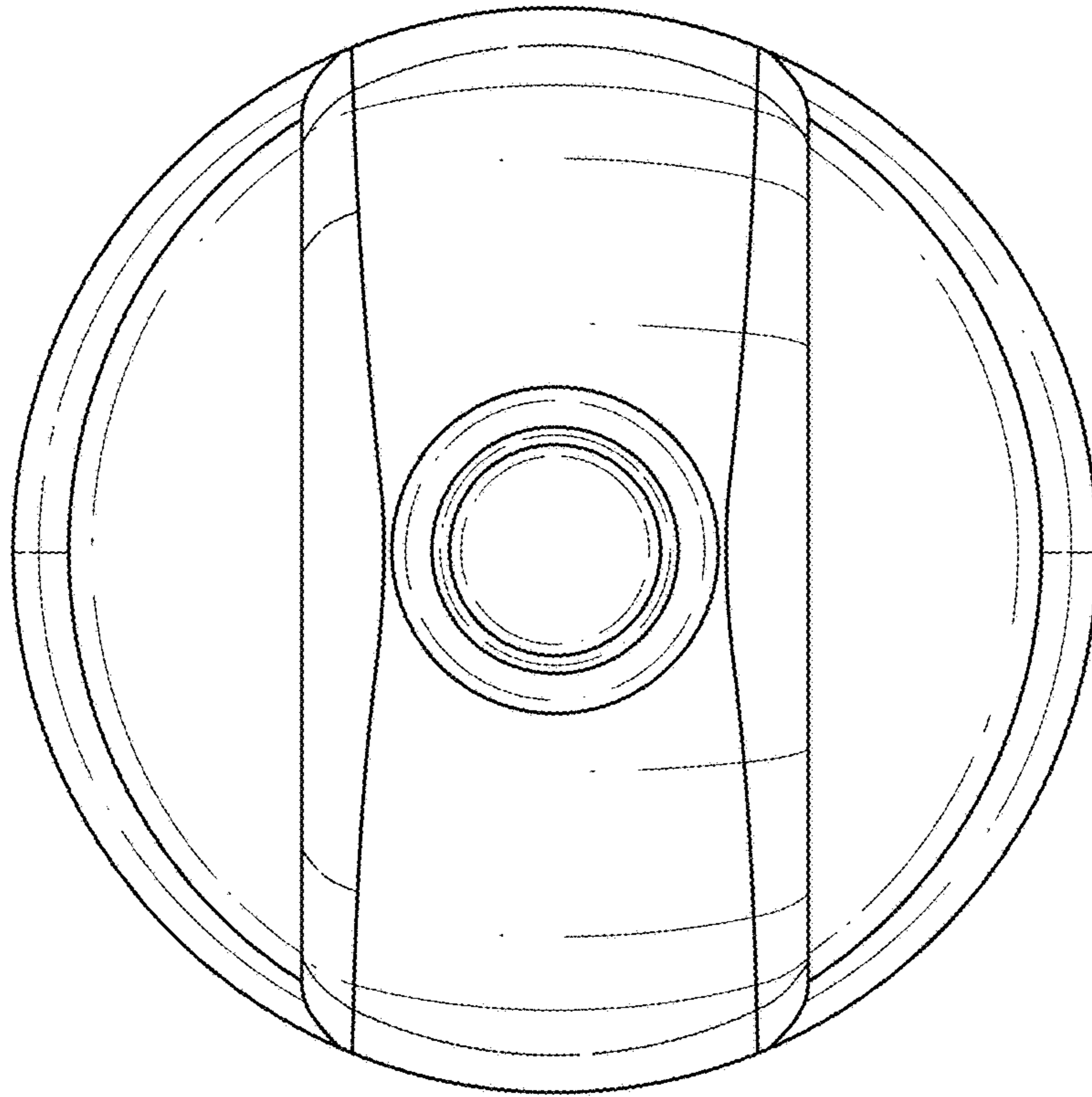


FIG. 4

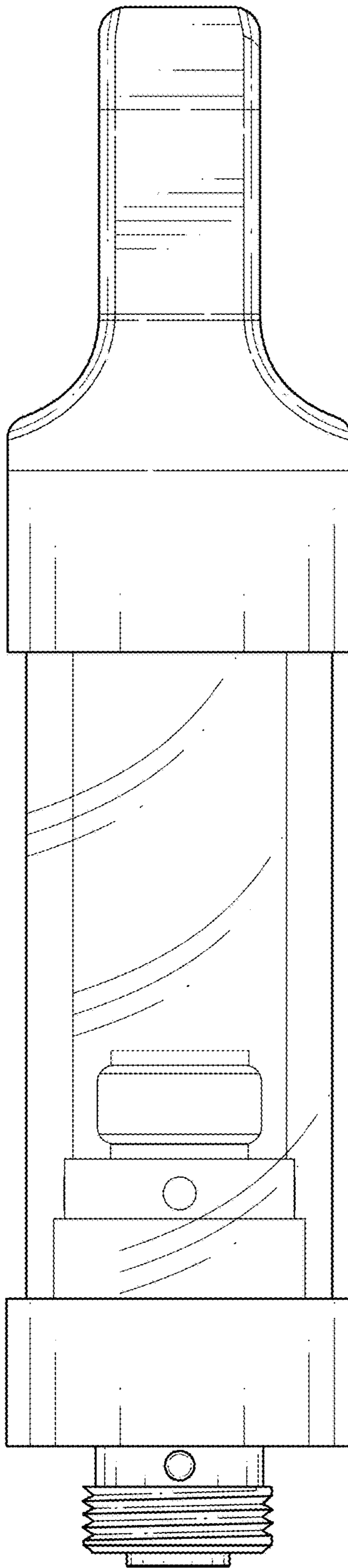


FIG. 5

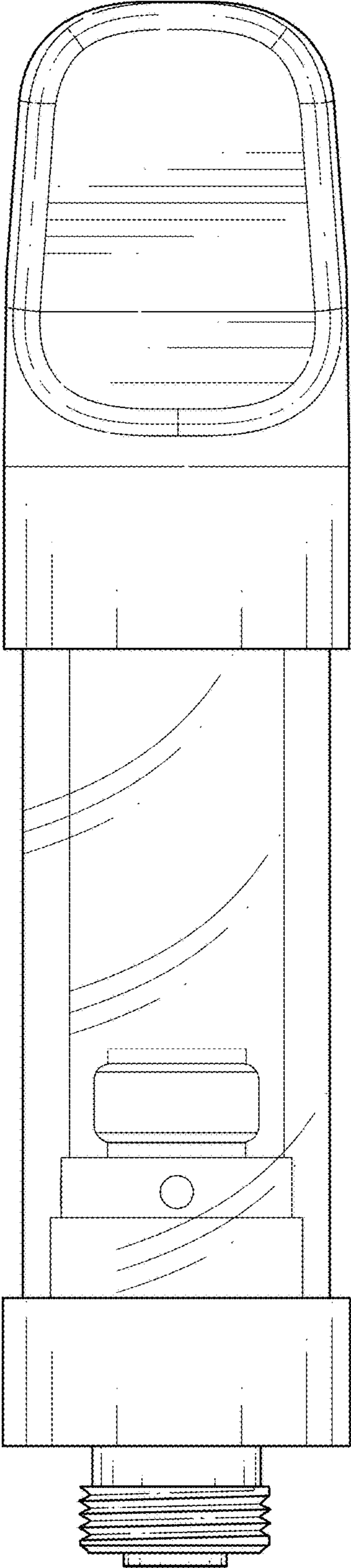


FIG. 6