



US00D857287S

(12) **United States Design Patent**
Holmes

(10) **Patent No.:** **US D857,287 S**

(45) **Date of Patent:** **** Aug. 20, 2019**

- (54) **CEILING FAN LIGHT GLASS**
- (71) Applicant: **HUNTER FAN COMPANY**,
Memphis, TN (US)
- (72) Inventor: **Christine Holmes**, Memphis, TN (US)
- (73) Assignee: **Hunter Fan Company**, Memphis, TN
(US)

- D533,292 S * 12/2006 Hidalgo D26/59
- D542,461 S * 5/2007 Hidalgo D26/128
- D574,985 S * 8/2008 Bucher D26/59
- D579,143 S * 10/2008 De'Armond D26/135
- D583,493 S * 12/2008 Bucher D26/59
- D585,585 S * 1/2009 Hidalgo D26/59
- D597,632 S * 8/2009 Obara D23/250
- D604,887 S * 11/2009 Sanoner D26/105

(Continued)

- (**) Term: **15 Years**
- (21) Appl. No.: **29/635,892**

- (22) Filed: **Feb. 5, 2018**
- (51) **LOC (12) Cl.** **26-05**
- (52) **U.S. Cl.**
USPC **D26/128**
- (58) **Field of Classification Search**
USPC D26/24, 59, 105, 113, 118, 119, 120,
D26/123, 124, 128, 137, 138; D30/101,
D30/102, 104; D8/300, 301, 310;
362/185, 186, 235, 317, 351; D23/377,
D23/385, 411
CPC F21V 15/01; F21V 15/02; F21V 15/012;
F21V 3/00; F21V 3/02; F21V 3/049;
F21V 3/061; F21V 29/20; F21V 29/506;
F21V 29/507

See application file for complete search history.

(56) **References Cited**

U.S. PATENT DOCUMENTS

- D124,167 S * 12/1940 Arenberg D26/124
- D268,195 S * 3/1983 Kalish D21/771
- 5,738,437 A * 4/1998 Ilagan F21V 17/12
362/311.1
- 6,059,422 A * 5/2000 Fischer F21S 8/04
362/147
- D486,940 S * 2/2004 Yiu D26/138
- D516,704 S * 3/2006 Pickett D23/411

OTHER PUBLICATIONS

<http://www.montecarlofans.com/38089/52-Nikki---Matte-White-5NKR52RZWD.html>, Monte Carlo Nikki Collection, Product No. 5NKR52RZWD, Matte White, accessed Feb. 1, 2018.

(Continued)

Primary Examiner — Wan Laymon
Assistant Examiner — Clint A Samuel
(74) *Attorney, Agent, or Firm* — McGarry Bair PC

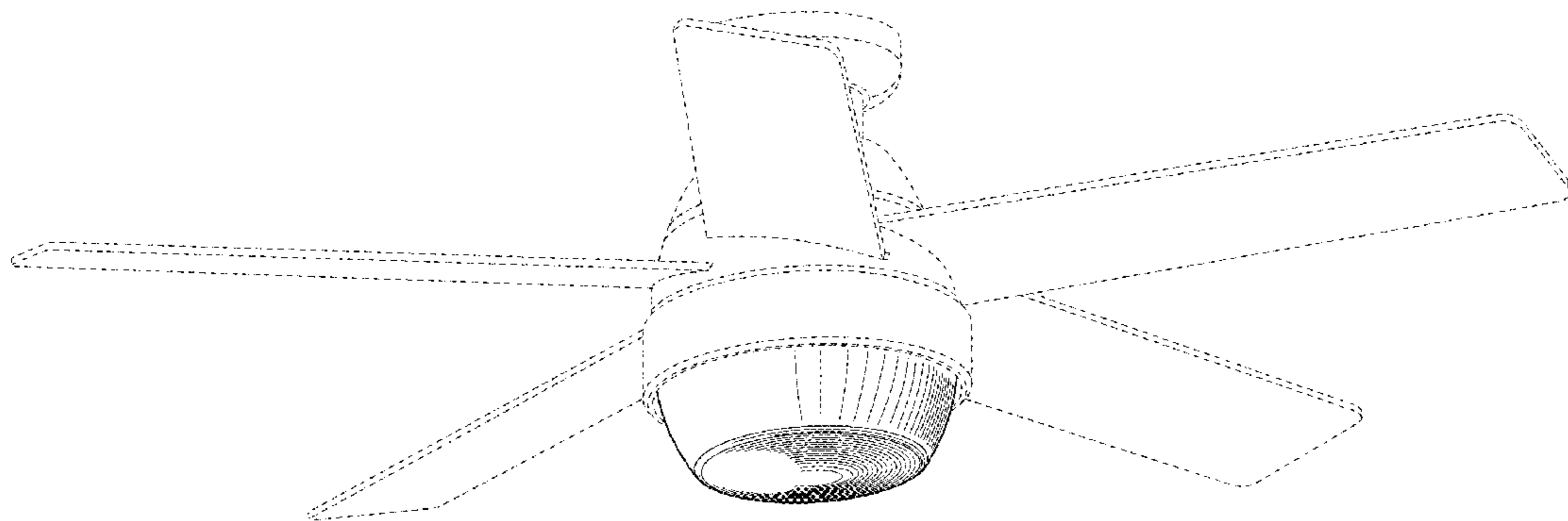
(57) **CLAIM**

The ornamental design for a ceiling fan light glass, as shown and described.

DESCRIPTION

FIG. 1 is a bottom perspective view of a light glass in the environment of a ceiling fan, showing my new design; FIG. 2 is a top perspective view of the light glass of FIG. 1; FIG. 3 is a top view of the light glass of FIG. 1; FIG. 4 is a bottom view of the light glass of FIG. 1; FIG. 5 is a front view of the light glass of FIG. 1; FIG. 6 is a rear view of the light glass of FIG. 1; FIG. 7 is a left side view of the light glass of FIG. 1; and, FIG. 8 is a right side view of the light glass of FIG. 1. The dash-dash lines are included for the purpose of illustrating portions of the ceiling fan light glass that form no part of the claimed design. The dot-dash-dot line represent the boundary of the claimed design.

1 Claim, 8 Drawing Sheets



(56)

References Cited

U.S. PATENT DOCUMENTS

7,631,993 B2 * 12/2009 Russello F21V 17/14
362/362
D628,687 S 12/2010 Yao
D628,688 S 12/2010 Pan
D632,381 S 2/2011 Davenport et al.
D645,135 S * 9/2011 Orozco D23/413
D713,235 S * 9/2014 Lee D8/310
D713,236 S * 9/2014 Park D8/310
8,950,893 B2 * 2/2015 Mitchell F21V 23/009
362/235
8,950,905 B2 * 2/2015 Howe F21V 3/0625
362/332
8,950,907 B2 * 2/2015 Packard F21V 19/04
362/227
D759,799 S 6/2016 Wang
D779,114 S * 2/2017 Stolte F21V 29/004
D26/152
D782,103 S * 3/2017 Shields D26/124
D794,866 S * 8/2017 Wu D26/124
D834,696 S * 11/2018 Schulzman D23/377
D838,029 S * 1/2019 Stolte F21V 29/004
D26/89
2002/0136003 A1 * 9/2002 Quiogue F21S 8/04
362/147
2009/0073697 A1 * 3/2009 Peck F21V 3/02
362/296.05
2013/0329434 A1 * 12/2013 Packard F21V 19/04
362/311.01

OTHER PUBLICATIONS

<http://ceilingfans.emerson.com/shop/en/fan/fans-s-emerson-fans/emerson-fans-browse-all/atomical-fan-p-cf930>, Emerson Atomical, Indoor/Outdoor Brushed Steel Ceiling Fan with Light, Model No. P-CF930, accessed Feb. 1, 2018.
<http://www.fanimation.com/products/index.php/fans/berlin.html>, Fanimation Berlin, 52 in. Brushed Nickel Indoor/Outdoor Downrod Mount Ceiling Fan with Light Kit, accessed Feb. 1, 2018.
<http://www.homedepot.com/p/Hampton-Bay-Northport-52-in-Brushed-Nickel-Ceiling-Fan-14926/202790687>, Hampton Bay Northport 52 in. Brushed-Nickel-Ceiling-Fan with Light Kit, Model No. 14926, accessed Feb. 1, 2018.

<http://www.quoruminternational.com/index.cfm/app/productDetail?product=142523-65>, Bronx Patio Satin Nickel Ceiling Fan, Model No. 142523-65, accessed Feb. 1, 2018.
<http://www.quoruminternational.com/index.cfm/app/productDetail?product=42523-65>, Bronx stn—Satin Nickel Ceiling Fan, Model No. 42523-65, accessed Feb. 1, 2018.
http://www.lowes.com/pd_652192-2120-35063_1z0vgaxZ1z140v4_?productId=50291923&pl=1, Harbor Breeze Melamby 48 in. Oil Rubbed Bronze Indoor Downrod Mount Ceiling Fan with Light Kit, Model No. 35063, accessed Feb. 1, 2018.
<http://www.kichler.com/products/product/56-ellys-ceiling-fan-ni-300239ni.aspx>, Kichler Elyls Collection, 56" Elyls Ceiling Fan in Brushed Nickel, Model No. 300239NI, accessed Feb. 1, 2018.
<https://www.hunterfan.com/Ceiling-Fans/Aker?ModelNumber=59303>, Hunter Fan Aker with LED Light 36 Inch Ceiling Fan, Model No. 59303, accessed Feb. 1, 2018.
<https://www.hunterfan.com/Ceiling-Fans/Anslee-Low-Profile?ModelNumber=59268>, Hunter Fan Anslee Low Profile with Light 45 Inch Ceiling Fan, Model No. 59268, accessed Feb. 1, 2018.
<https://www.craftmade.com/atara-ata52abz5>, Craftmade Atara, 52" Ceiling Fan with Blades and Light, Model No. ATA52ABZ5, accessed Feb. 1, 2018.
<https://www.hunterfan.com/Ceiling-Fans/Dempsey-Low-Profile-with-Light?ModelNumber=59445>, Hunter Fan Dempsey Low Profile with Light 52 inch Ceiling Fan, Model No. 59447, accessed Feb. 1, 2018.
<https://www.hunterfan.com/Ceiling-Fans/Morelli?ModelNumber=59142>, Hunter Fan Morelli Low Profile with Light 52 inch Ceiling Fan, Model No. 59142, accessed Feb. 1, 2018.
<https://www.menards.com/main/lighting-ceiling-fans/ceiling-fans/shop-all-ceiling-fans/turn-of-the-century-reg-stratford-44-brushed-nickel-contemporary-ceiling-fan/p-1444438439478-c-7488.htm?tid=5515593568103558558&ipos=40>, Turn of the Century Stratford 44" Brushed Nickel Ceiling Fan, Model No. fn1304bn, accessed Feb. 1, 2018.
<https://www.menards.com/main/lighting-ceiling-fans/ceiling-fans/shop-all-ceiling-fans/turn-of-the-century-reg-montego-bay-52-weathered-copper-wet-rated-ceiling-fan/p-1444424537879-c-7487.htm?tid=70857110150563470>, Turn of the Century Montego Bay 52" Weathered Copper Transitional Wet-Rated Ceiling Fan, Model No. CP152115, accessed Feb. 1, 2018.
<http://www.craftmade.com/beltre-be152bnk3crw>, Craftmade Beltre 52" Ceiling Fan with Blades and Light, Model No. BEL52BNK3CRW, accessed Feb. 1, 2018.

* cited by examiner

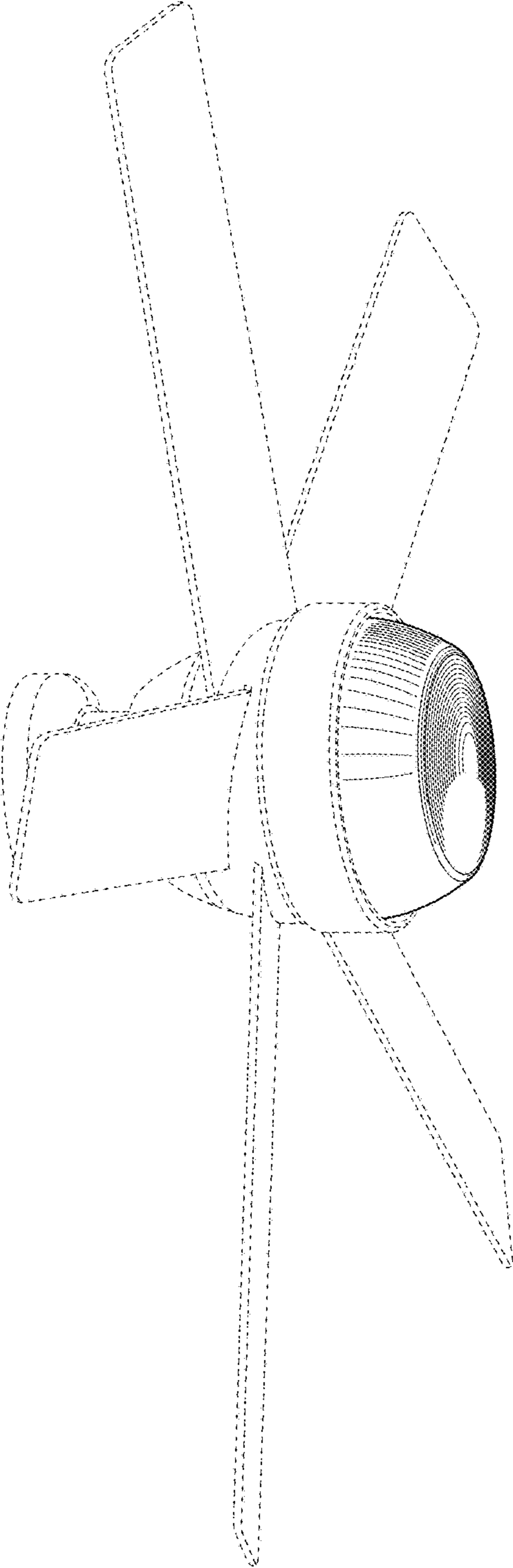


FIG. 1

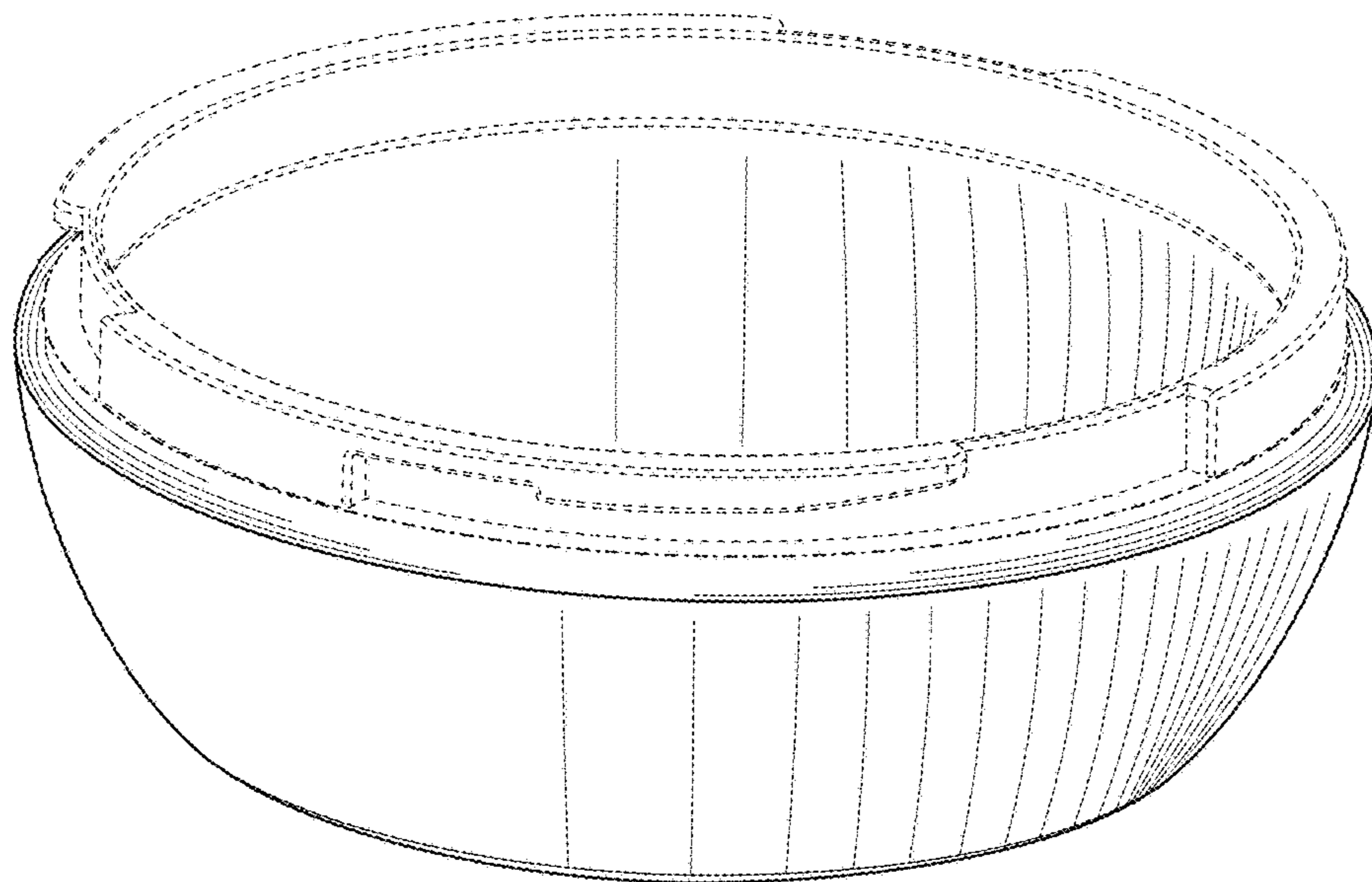


FIG. 2

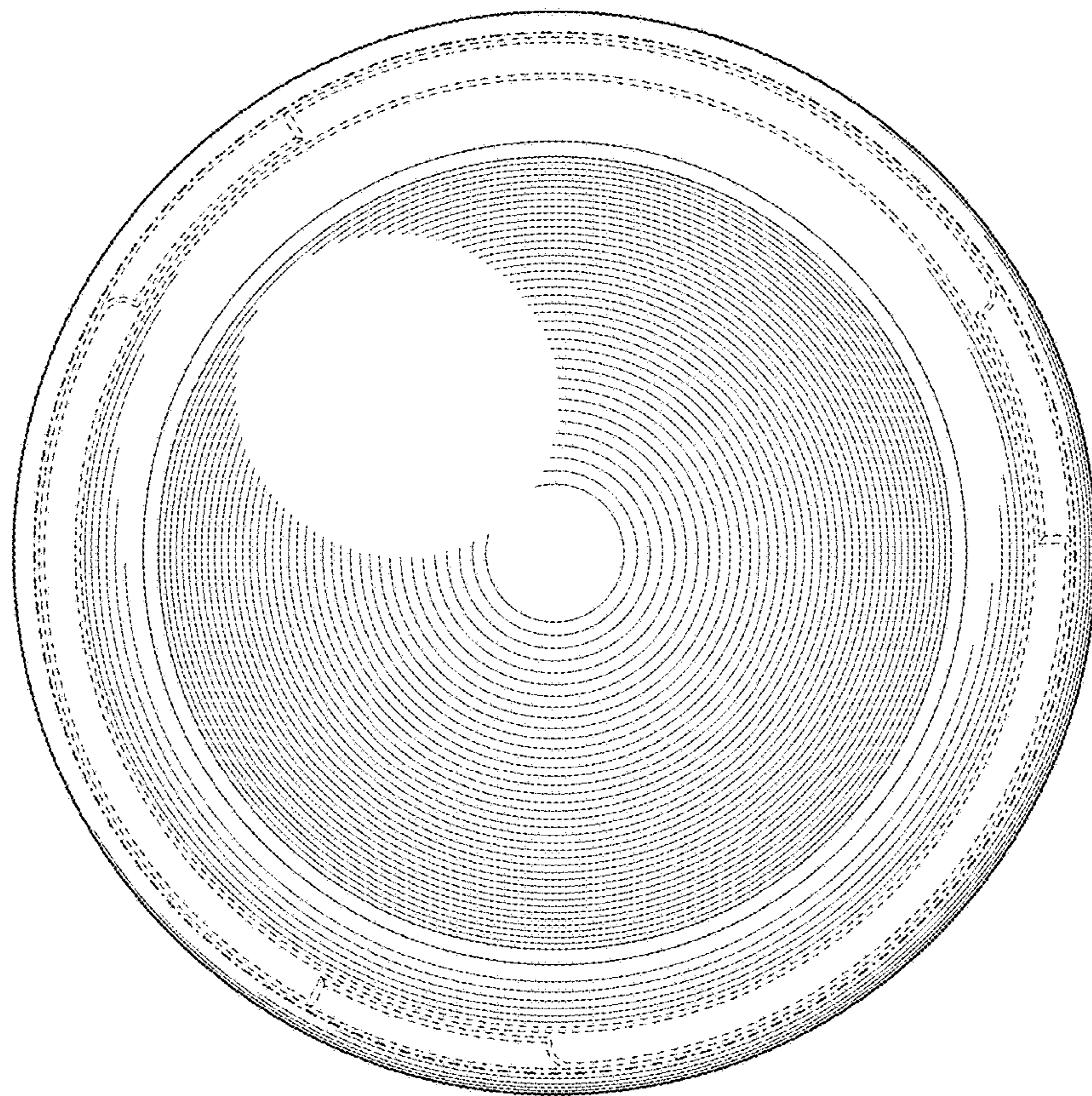


FIG. 3

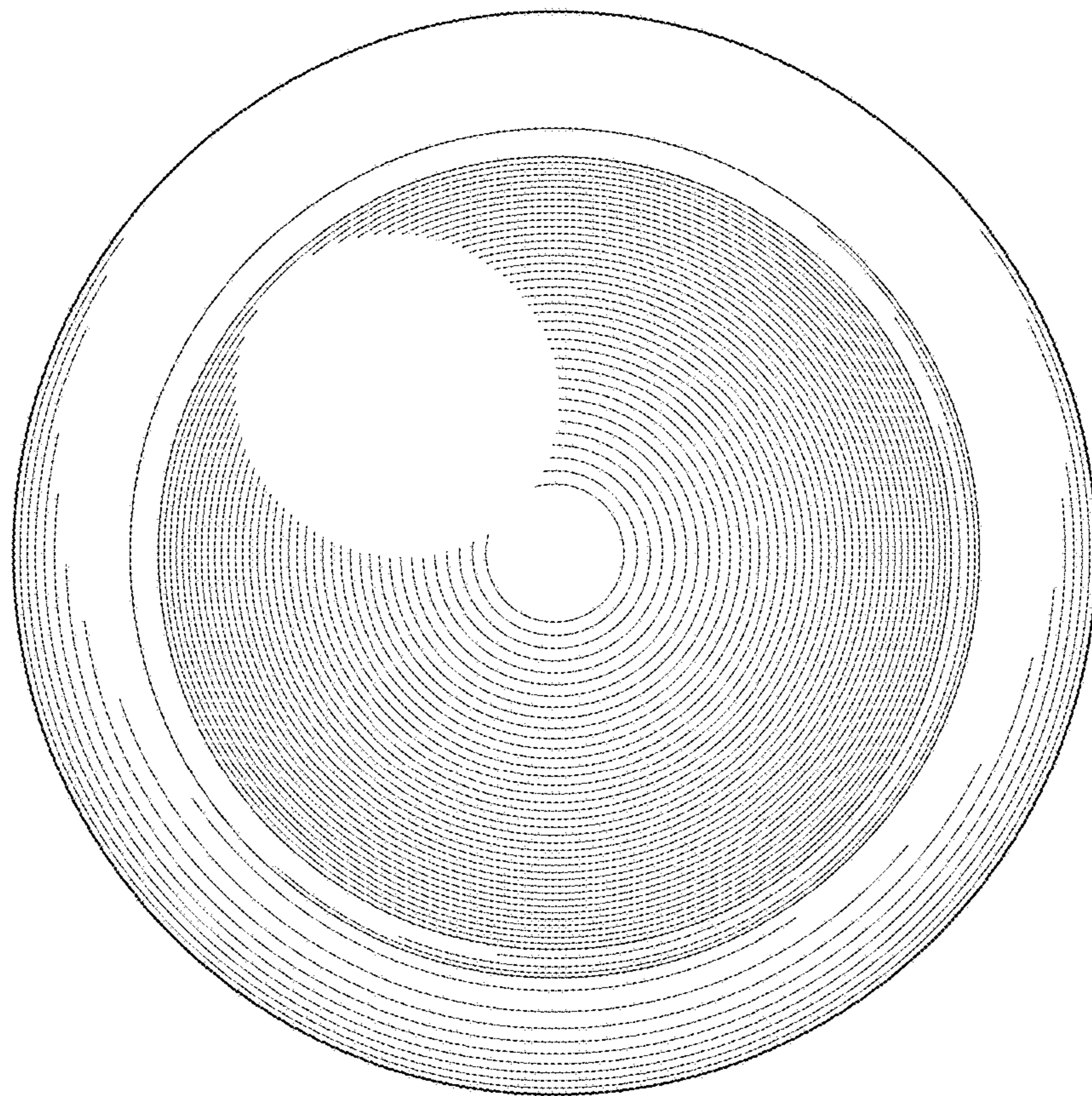


FIG. 4

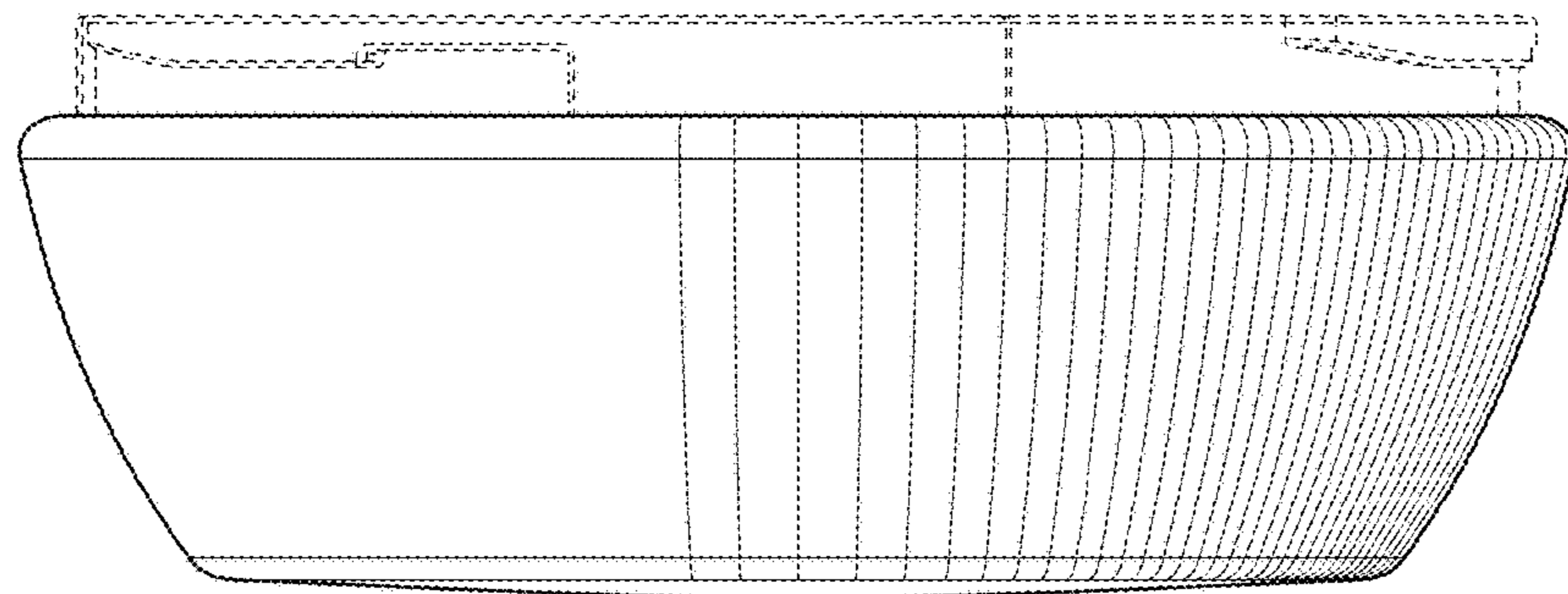


FIG. 5

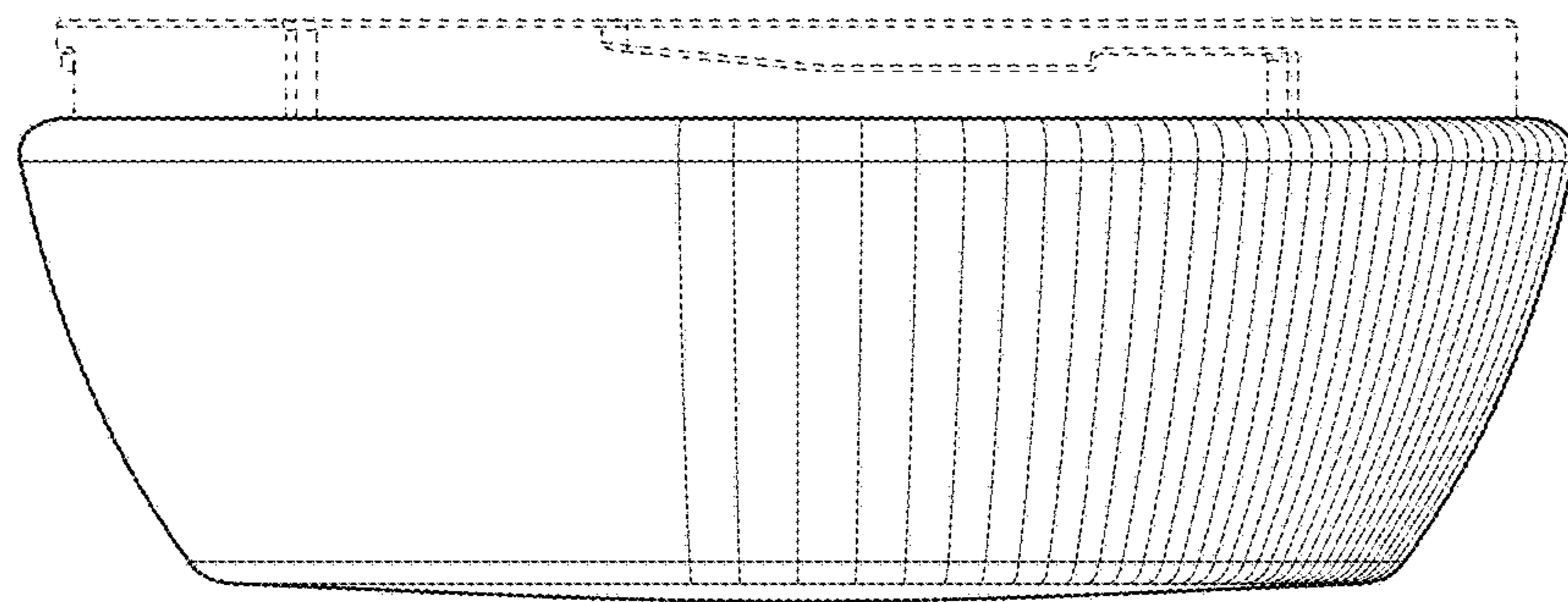


FIG. 6

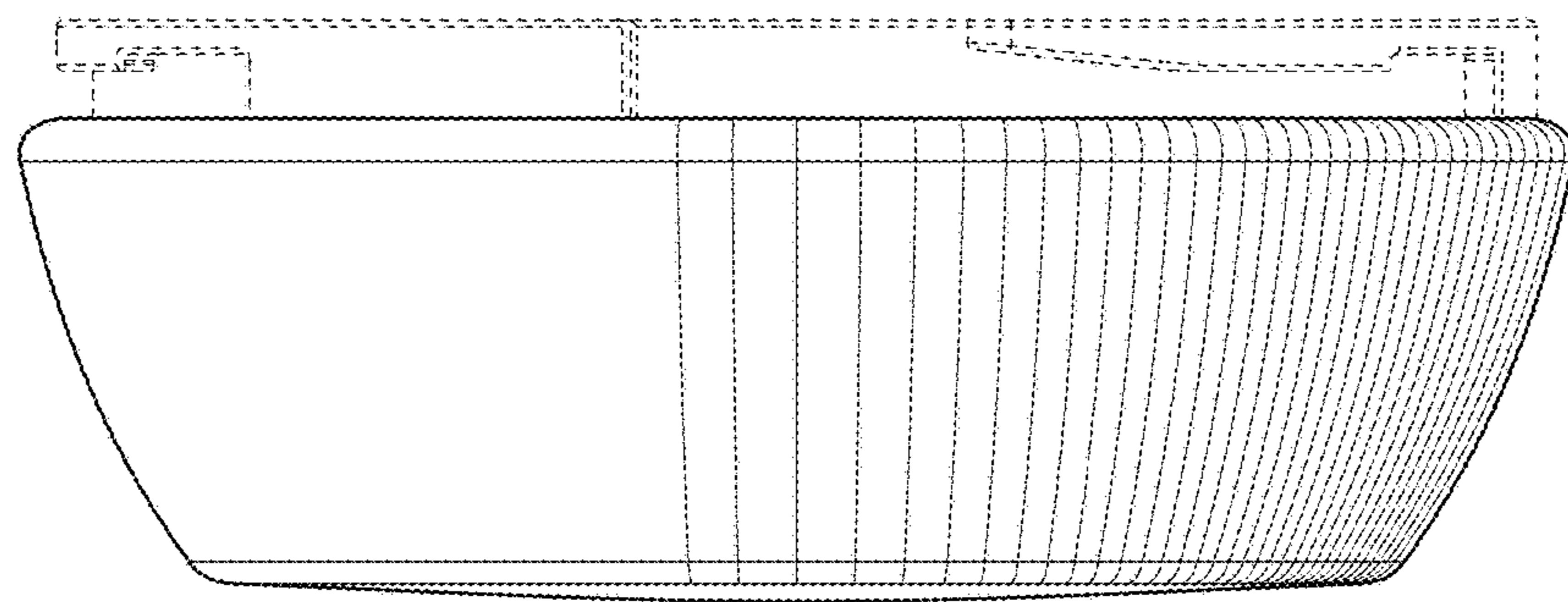


FIG. 7

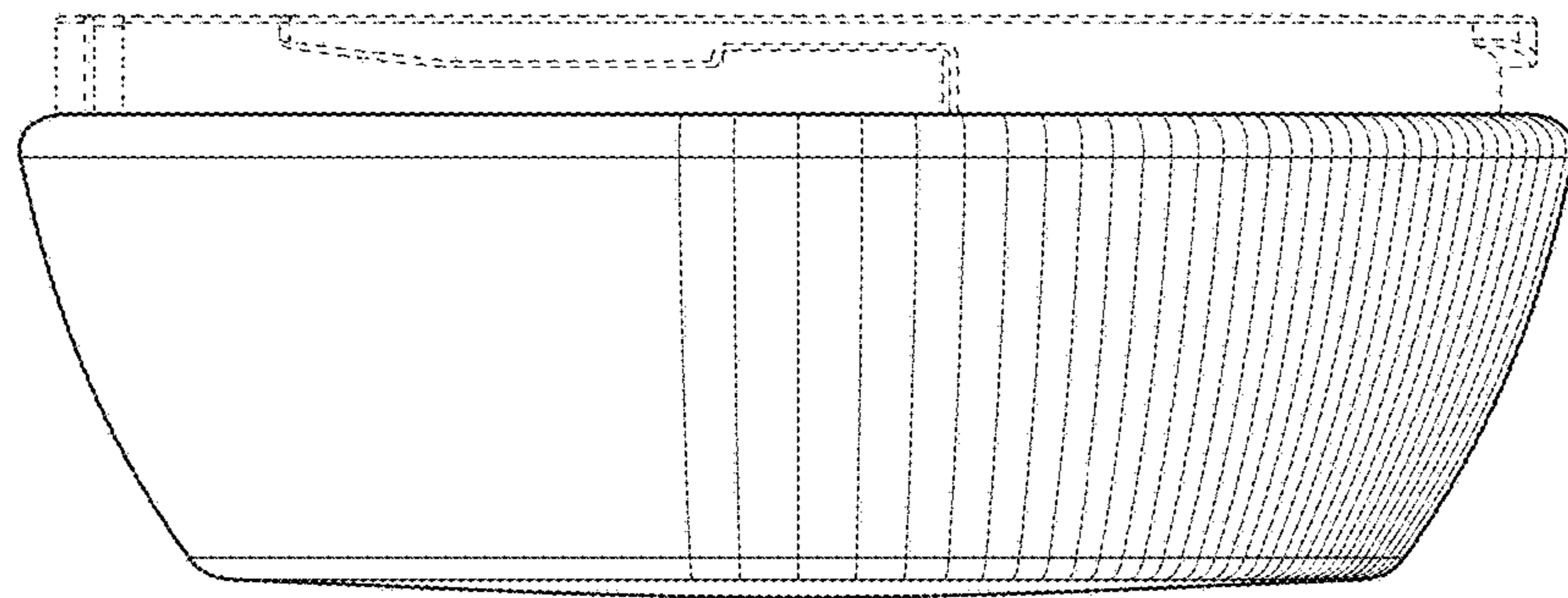


FIG. 8