



US00D857286S

(12) **United States Design Patent** (10) **Patent No.:** **US D857,286 S**  
**Cao et al.** (45) **Date of Patent:** **\*\* Aug. 20, 2019**

(54) **LED WORK LIGHT**

(56) **References Cited**

(71) Applicant: **JIUJIANG TANJEON TECHNOLOGY CO. LTD.**, Jiujiang, Jiangxi (CN)

U.S. PATENT DOCUMENTS

(72) Inventors: **Junjun Cao**, Zhejiang (CN);  
**Zhaosheng Zeng**, Zhejiang (CN);  
**Feiyun Chen**, Zhejiang (CN)

D526,430 S \* 8/2006 Hernandez ..... D26/31  
D576,754 S \* 9/2008 Wang ..... D26/31  
D653,782 S \* 2/2012 Koeller ..... D26/25  
D790,095 S \* 6/2017 Parvaresh ..... D26/31

\* cited by examiner

(73) Assignee: **JIUJIANG TANJEON TECHNOLOGY CO., LTD.** (CN)

*Primary Examiner* — Marcus A Jackson

(\*\*) Term: **15 Years**

(57) **CLAIM**

The ornamental design for an LED work light, as shown and described.

(21) Appl. No.: **29/608,822**

**DESCRIPTION**

(22) Filed: **Jun. 26, 2017**

(51) **LOC (12) Cl.** ..... **26-99**

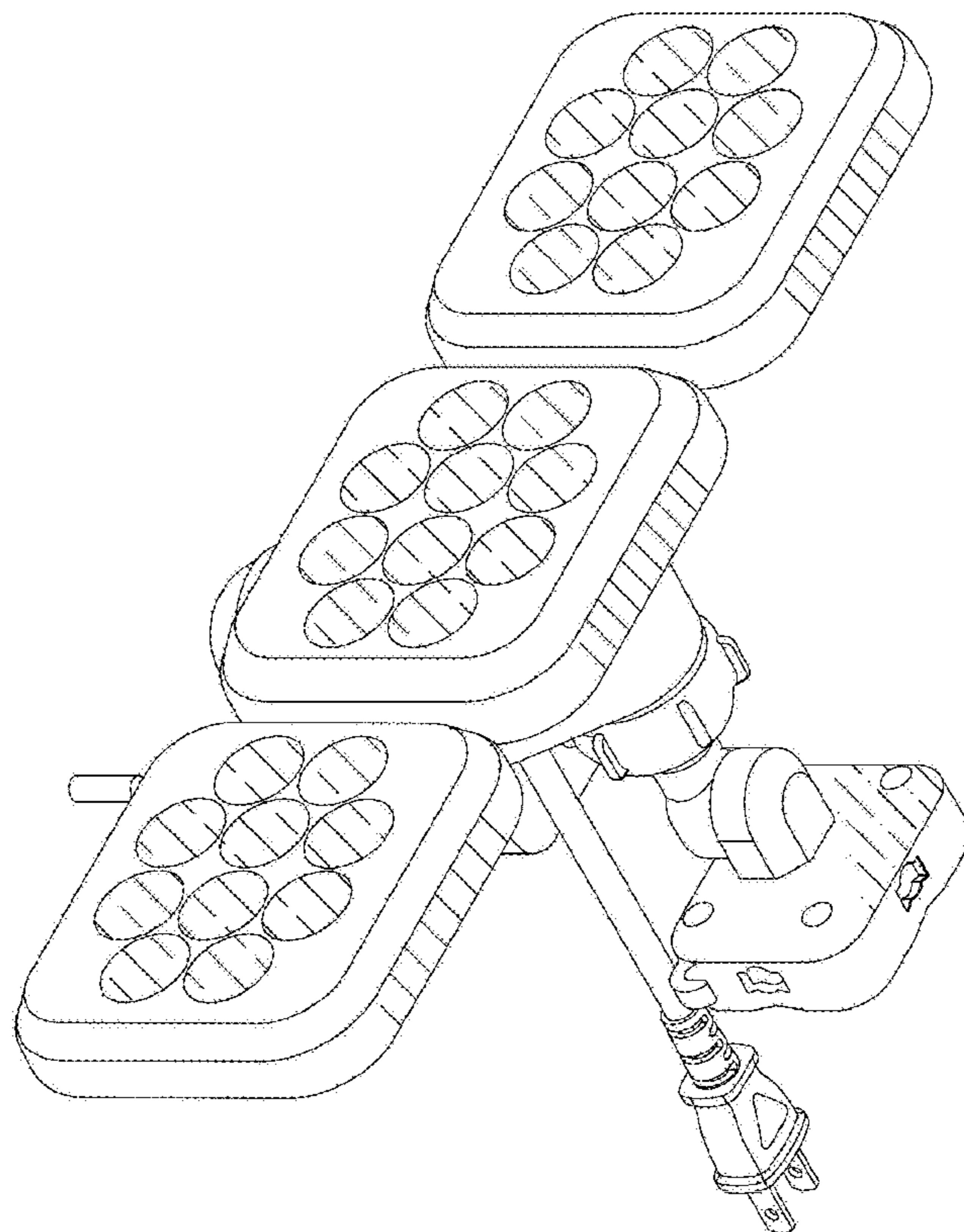
(52) **U.S. Cl.**  
USPC ..... **D26/119**

(58) **Field of Classification Search**  
USPC ..... D26/28-36, 119  
CPC ..... B60Q 1/0483; B60Q 9/13; B60Q 9/135;  
B60Q 9/1375; F21S 48/00; F21S 48/10;  
F21S 48/115; F21S 48/225; F21S  
48/1233; F21S 48/1266; F21S 48/1388;  
F21S 48/2268; F21V 21/04

FIG. 1 is a front view of the LED work light showing our new design;  
FIG. 2 is a back view thereof;  
FIG. 3 is a left side view thereof;  
FIG. 4 is a right side view thereof;  
FIG. 5 is a top view thereof;  
FIG. 6 is a bottom view thereof;  
FIG. 7 is a perspective view thereof; and,  
FIG. 8 is another perspective view thereof.

See application file for complete search history.

**1 Claim, 8 Drawing Sheets**



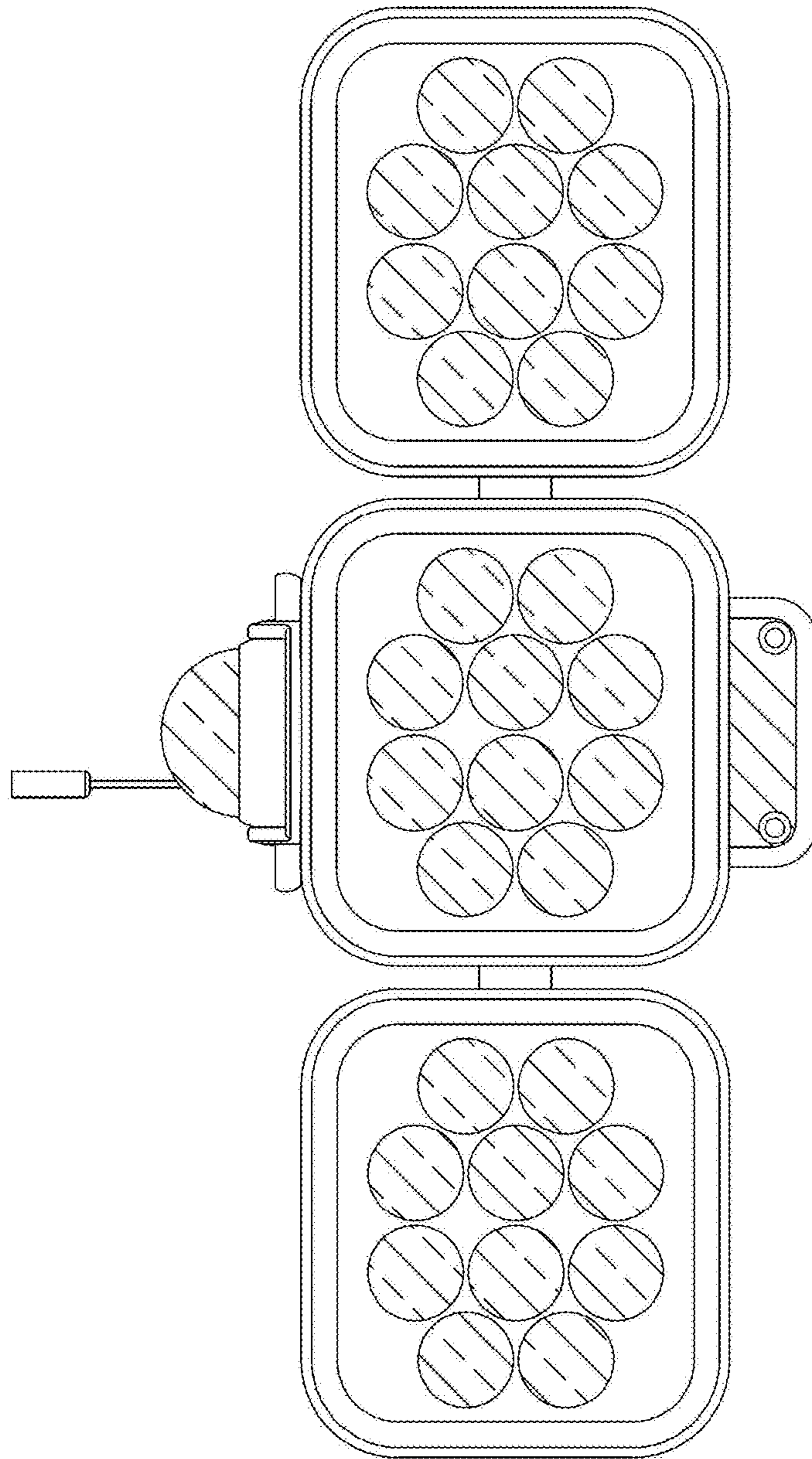


FIG. 1

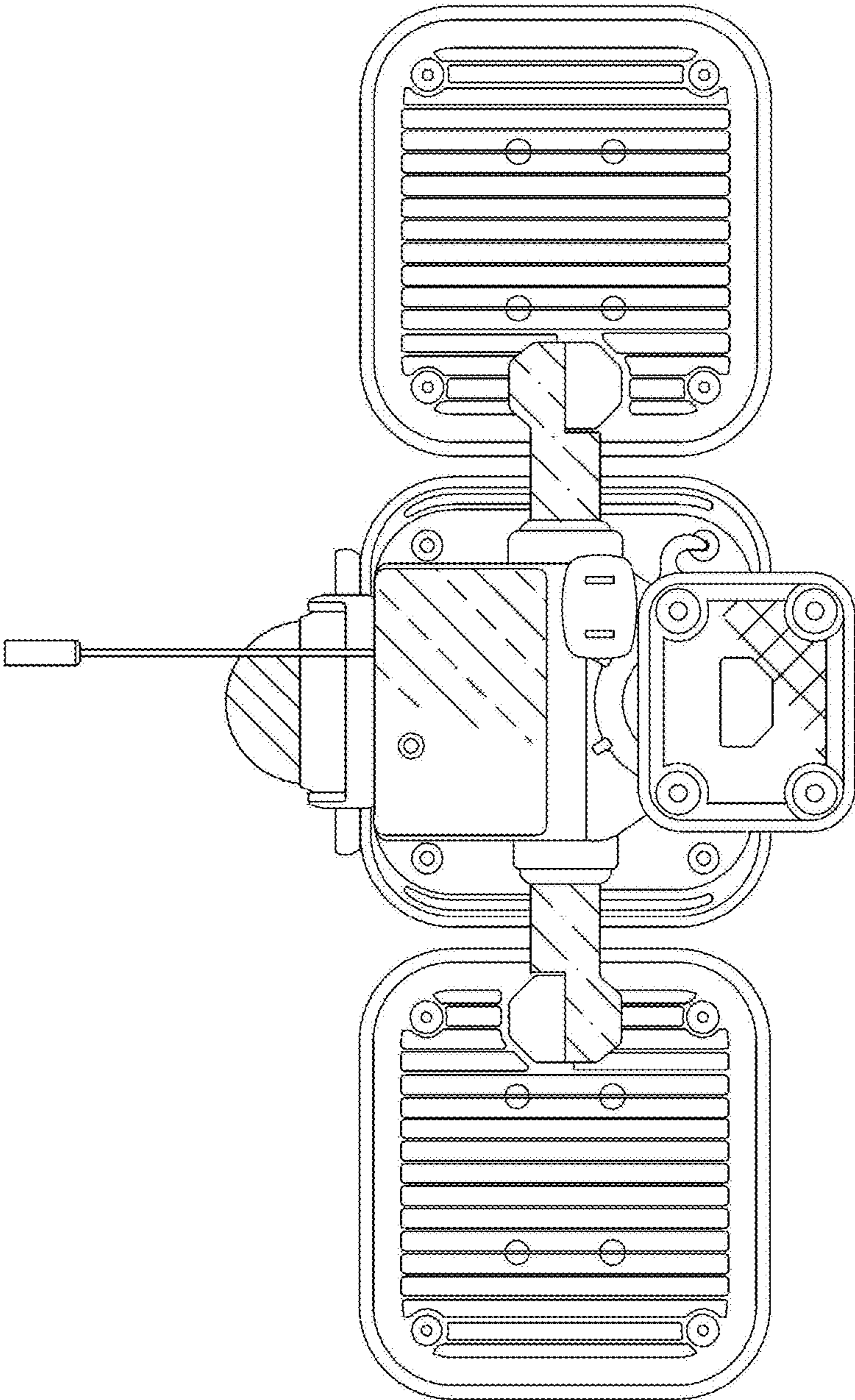


FIG. 2

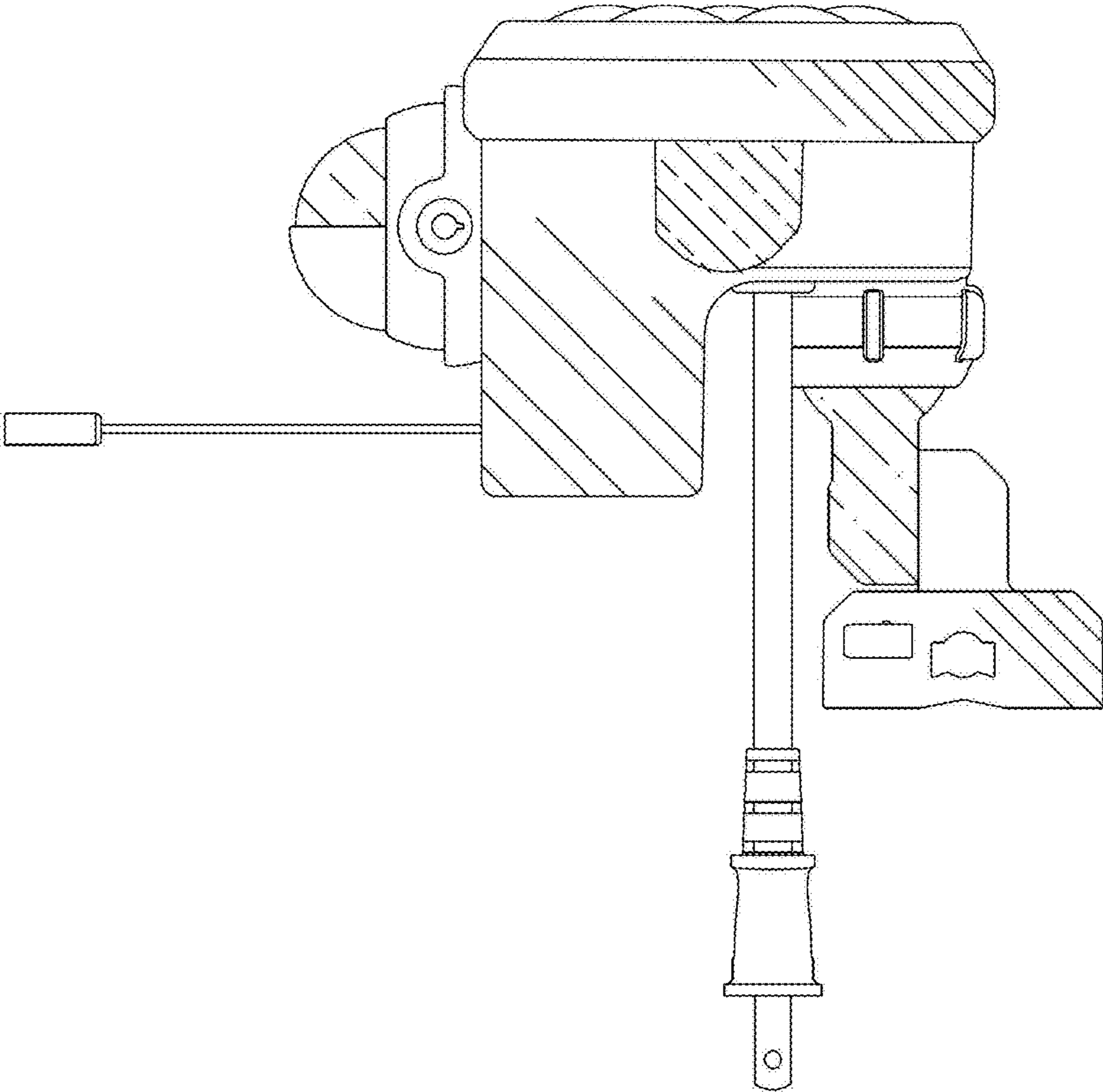


FIG. 3

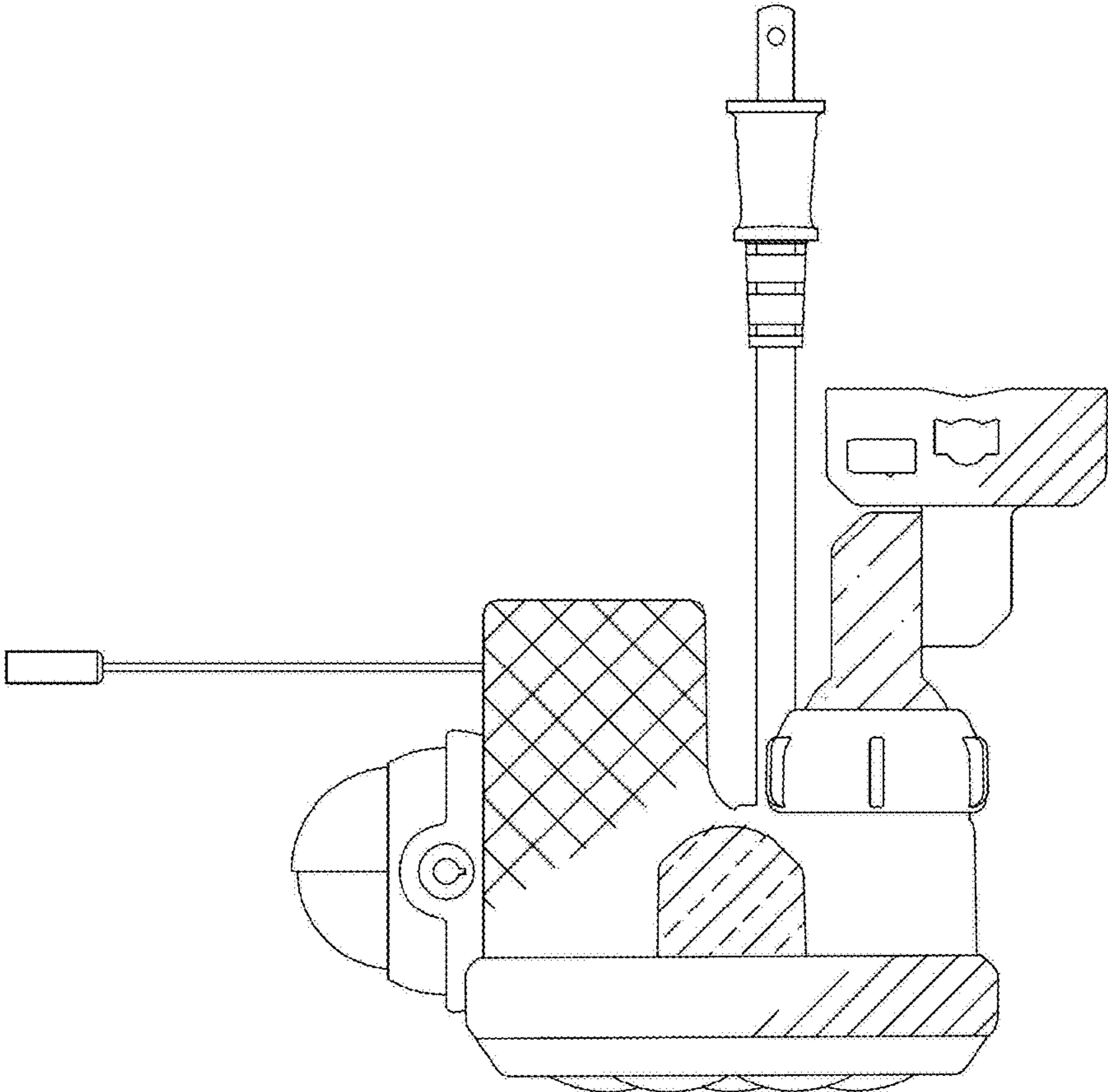


FIG. 4

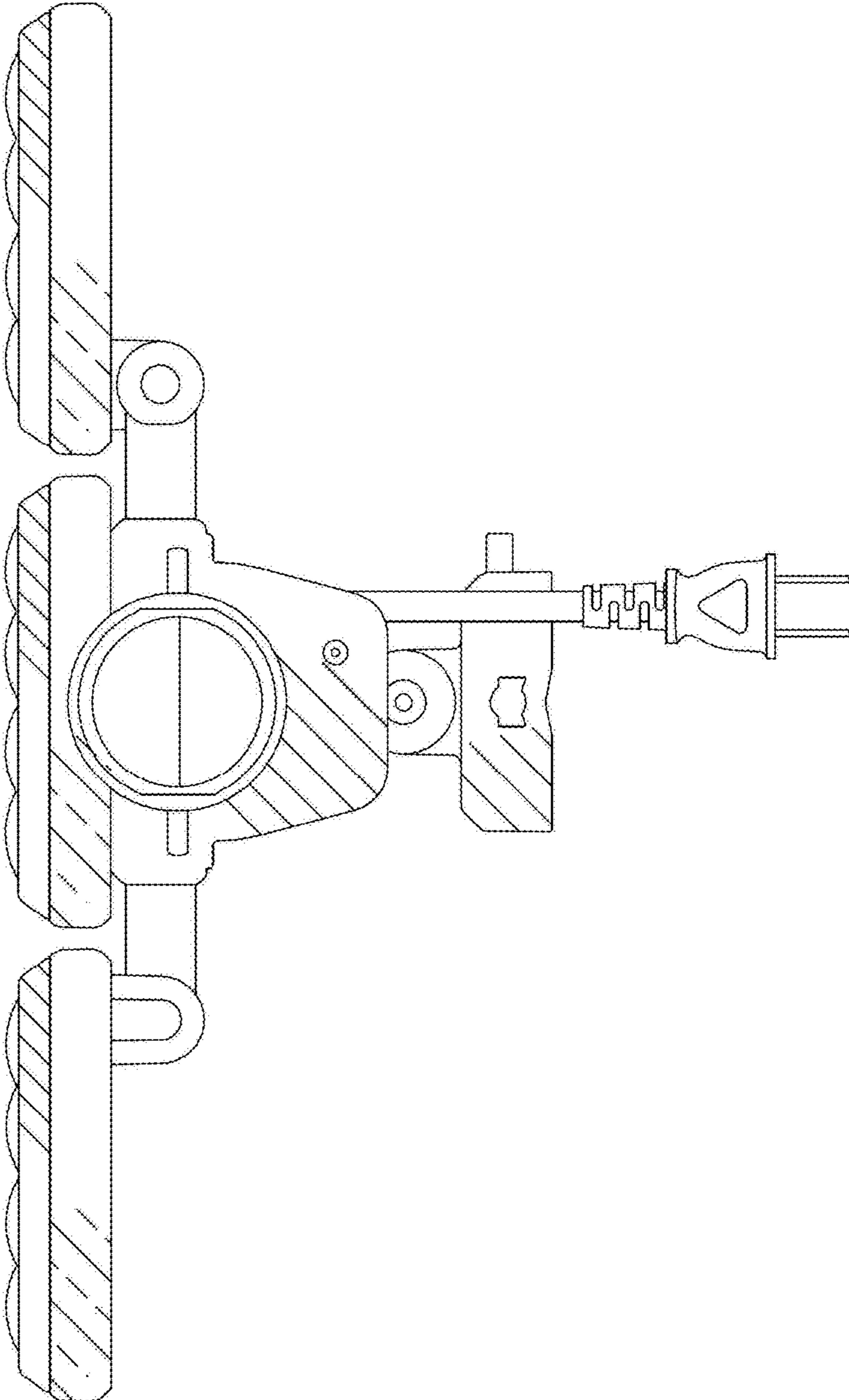


FIG. 5

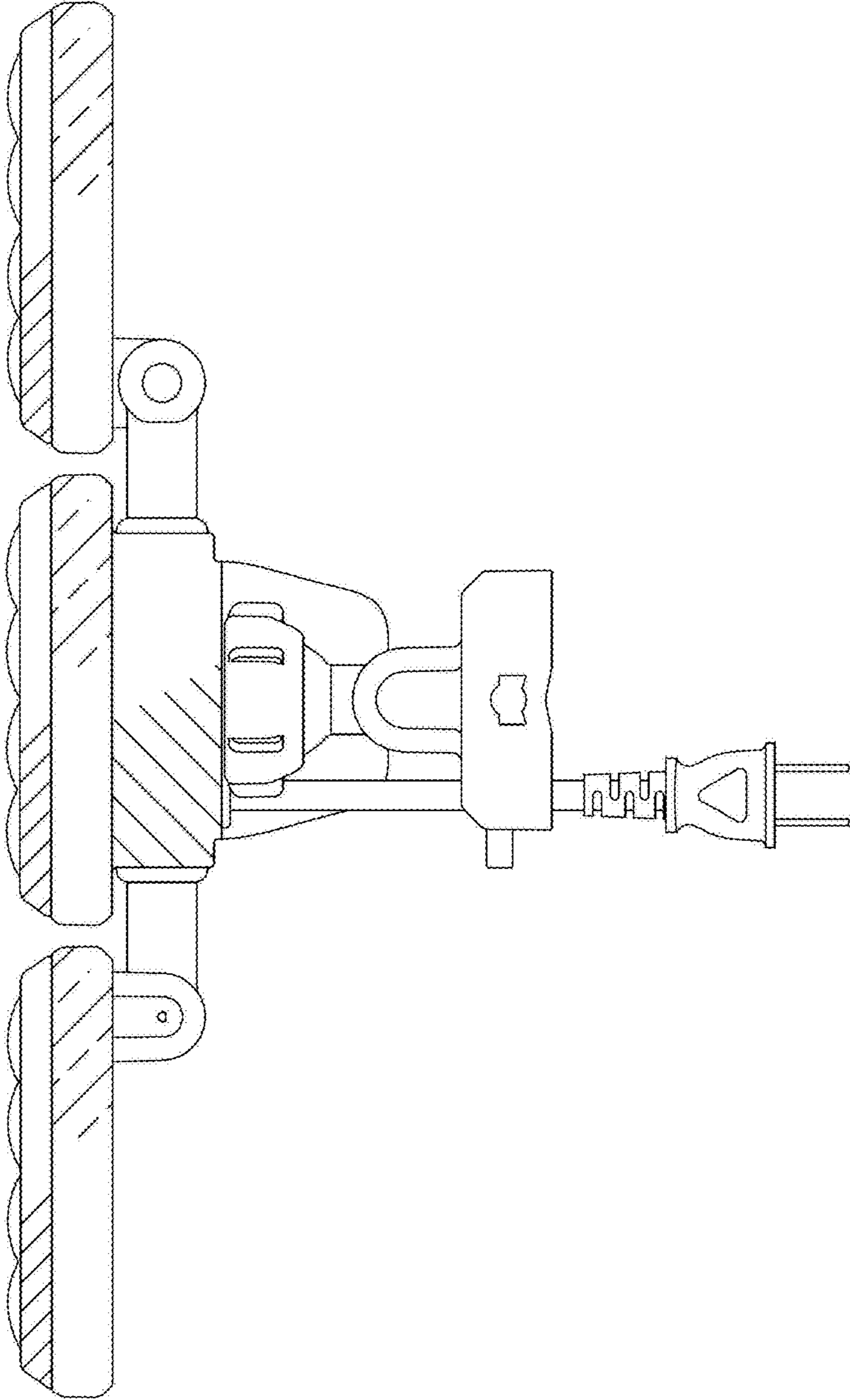


FIG. 6

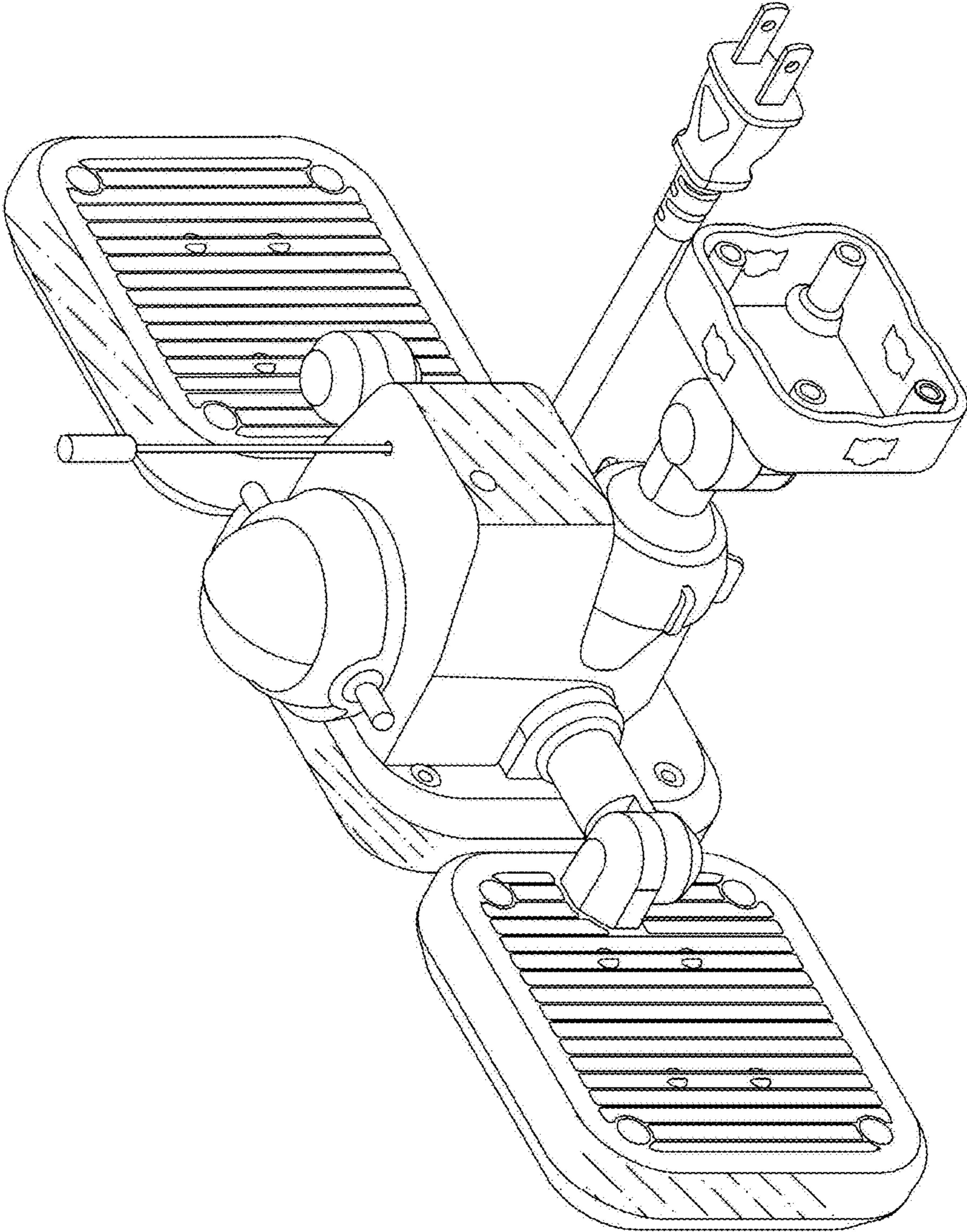


FIG. 7



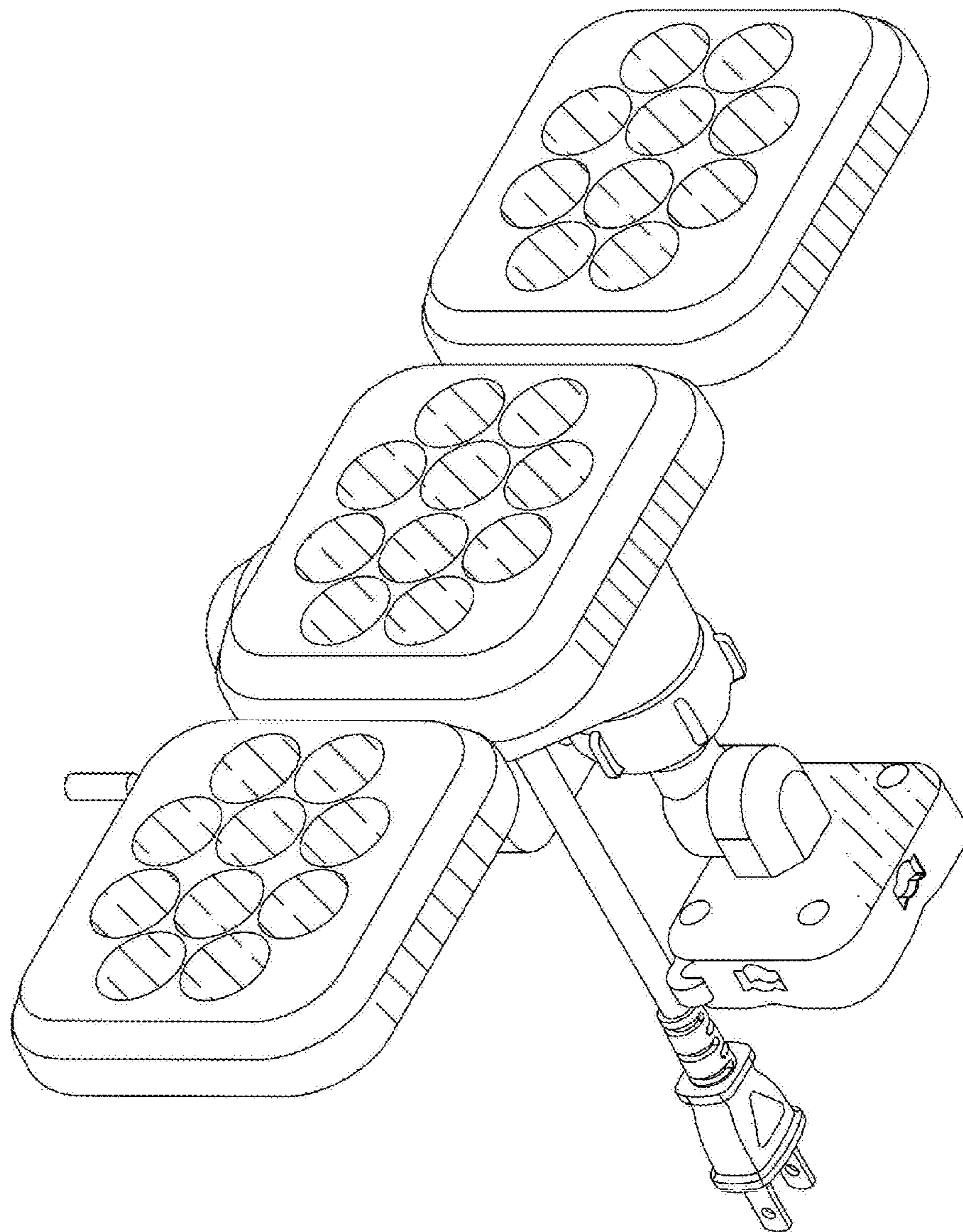


FIG. 8