



US00D857282S

(12) **United States Design Patent** (10) **Patent No.:** **US D857,282 S**
Temporao et al. (45) **Date of Patent:** **** Aug. 20, 2019**

(54) **BULB HOLDER**

OTHER PUBLICATIONS

(71) Applicant: **INTELLIGENT LIGHTING TECHNOLOGIES INC.**, Sault Ste Marie (CA)

ILT Conversion Kit, announced unknown, [online], [site visited Nov. 24, 2018]. Available from Internet, <URL: http://nomoretubes.com/shop-ilt/> (Year: 2018).*

(72) Inventors: **Joseph Antonio Jose Temporao**, Sault Ste Marie (CA); **David Michael Byron**, Sault Ste Marie (CA)

Primary Examiner — Michelle E. Wilson
Assistant Examiner — Sanjeev Paul

(73) Assignee: **INTELLIGENT LIGHTING TECHNOLOGIES INC.**, Sault Ste Marie, ON (CA)

(74) *Attorney, Agent, or Firm* — Norton Rose Fulbright Canada LLP

(**) Term: **15 Years**

(57) **CLAIM**

(21) Appl. No.: **29/598,243**

The ornamental design for a bulb holder, as shown and described.

(22) Filed: **Mar. 23, 2017**

Related U.S. Application Data

(62) Division of application No. 29/545,315, filed on Nov. 11, 2015, now Pat. No. Des. 785,858.

DESCRIPTION

(51) **LOC (12) Cl.** **26-05**

(52) **U.S. Cl.**
USPC **D26/118**

(58) **Field of Classification Search**
USPC D26/2, 28, 72, 89, 113, 118, 119, 120, D26/122, 124, 128, 138, 142, 143, 145, D26/60; D13/180

CPC F41C 27/00; F41C 33/0254; G02B 5/045; G02B 5/189; F21S 8/00; F21S 8/03; F21S 8/026; F21S 8/02; F21S 8/003; F21S 8/043; F21S 8/06; F21S 8/04; F21V 7/005; F21V 15/01; F21V 15/04; F21V 25/00; G02F 2001/113607; F21Y 2103/00
See application file for complete search history.

FIG. 1 is a perspective view of a bulb holder showing our new design;
FIG. 2 is a front view thereof, and the back view is identical to the front view;
FIG. 3 is a left view thereof, and the right view is identical to the left view;
FIG. 4 is a top view thereof;
FIG. 5 is a bottom view thereof;
FIG. 6 is a perspective view of a first variant of the design;
FIG. 7 is a front view thereof and the back view is identical to the front view;
FIG. 8 is a left view thereof and the right view is identical to the left view;
FIG. 9 is a top view thereof; and,
FIG. 10 is a bottom view thereof.

The stippled lines shown throughout the drawing views are for illustrative purposes only and form no part of the claimed design. For clarity, surface shading lines are shown to illustrate contours and form no part of the design.

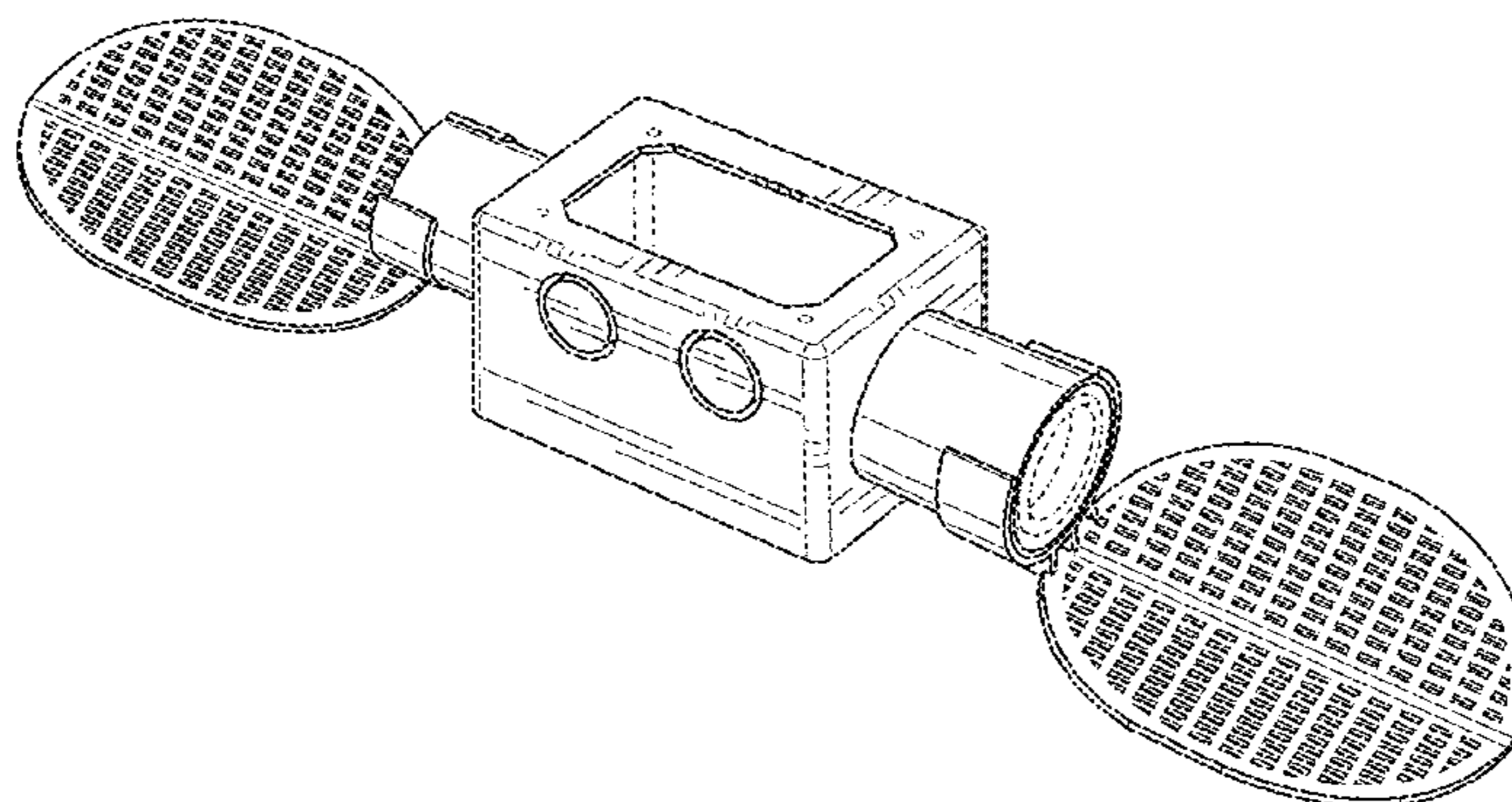
(56) **References Cited**

U.S. PATENT DOCUMENTS

D378,145 S * 2/1997 Cohon D26/141
D470,967 S * 2/2003 Rose D26/81
D578,250 S * 10/2008 Conroy D26/138

(Continued)

1 Claim, 6 Drawing Sheets



(56)

References Cited

U.S. PATENT DOCUMENTS

D600,200	S *	9/2009	Dimov	D13/102
D600,637	S *	9/2009	Fowler	D13/102
D602,197	S *	10/2009	Dunn	D26/141
D652,565	S *	1/2012	McKenna	D26/118
D674,338	S *	1/2013	Au Yeung	D13/108
D686,980	S *	7/2013	Fallon	D13/102
D759,269	S *	6/2016	Lai	D26/2
D785,858	S *	5/2017	Temporao	D26/142
D813,154	S *	3/2018	Akin	D13/102
2005/0099810	A1 *	5/2005	Tasson	B60Q 1/2607 362/249.07
2009/0237927	A1 *	9/2009	Zheng	F21S 2/005 362/235
2009/0237934	A1 *	9/2009	Zeng	F21V 21/30 362/249.03
2010/0246194	A1 *	9/2010	Nankil	F21S 2/00 362/368
2012/0031470	A1 *	2/2012	Dimov	H02S 20/23 136/251
2012/0140455	A1 *	6/2012	Chang	F21L 2/00 362/183

* cited by examiner

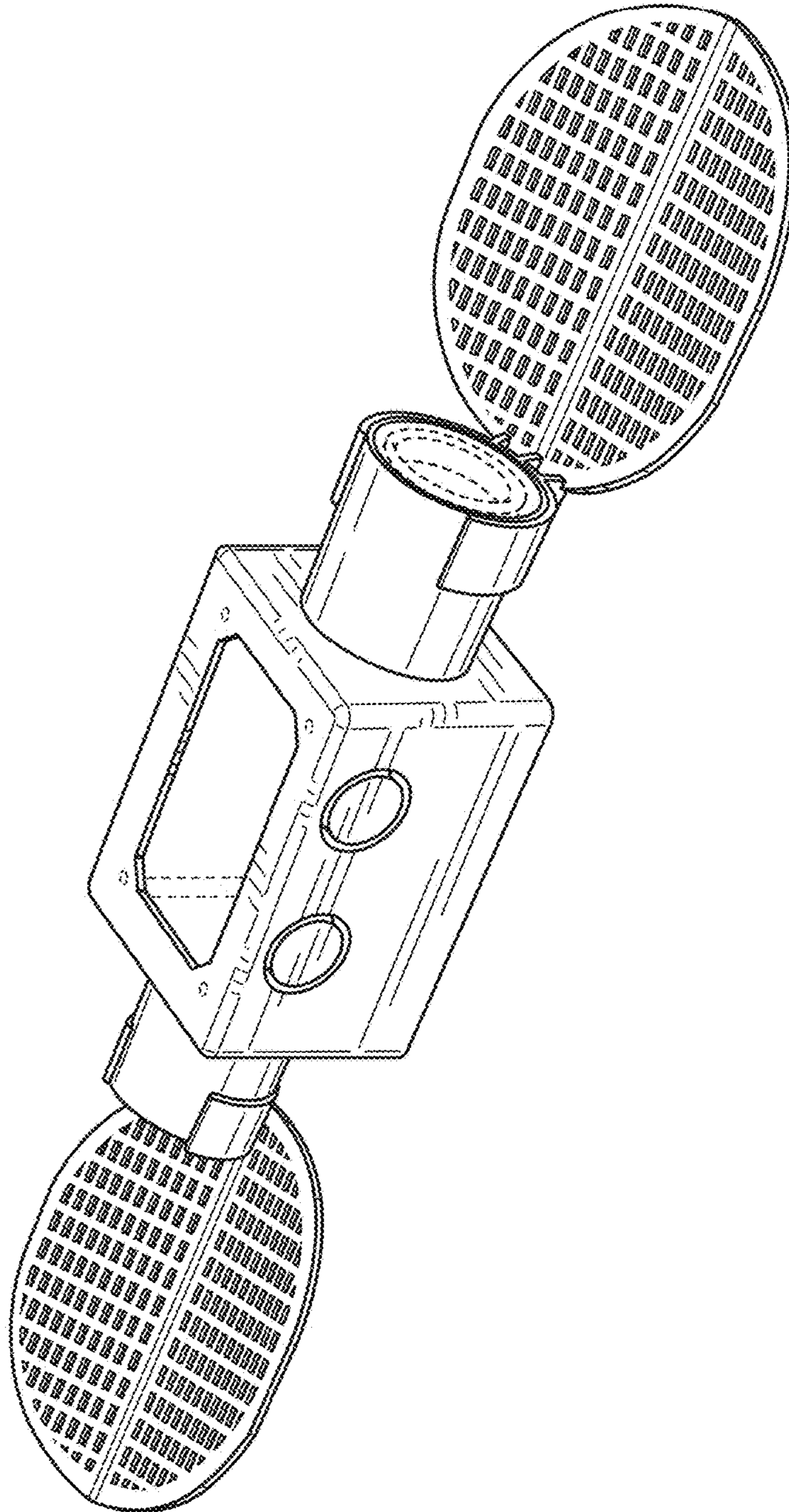


FIG. 1

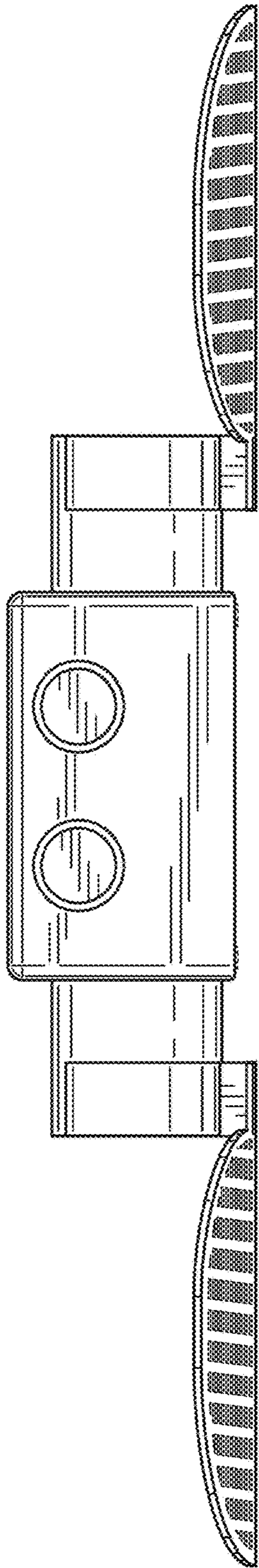


FIG. 2

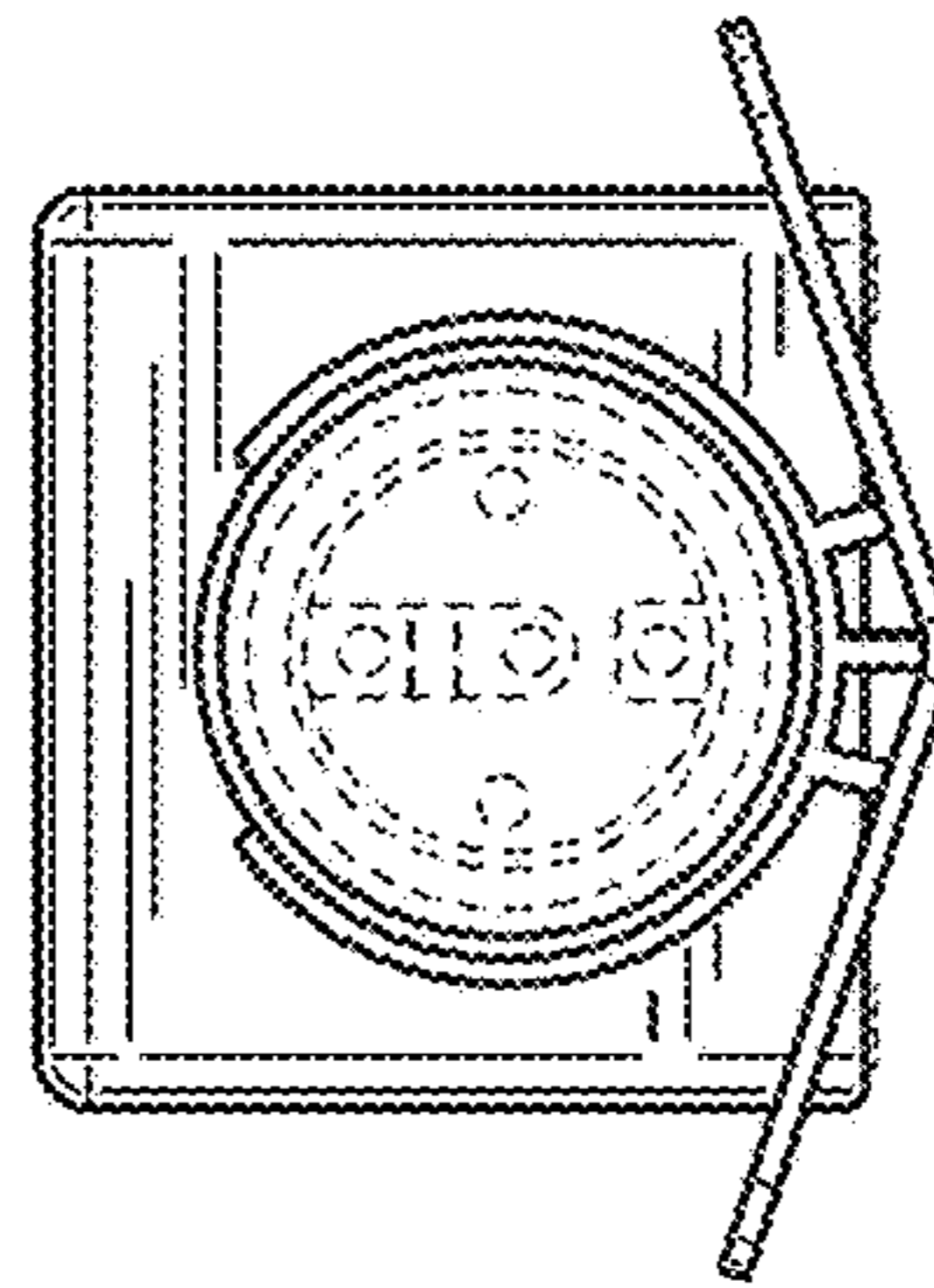


FIG. 3

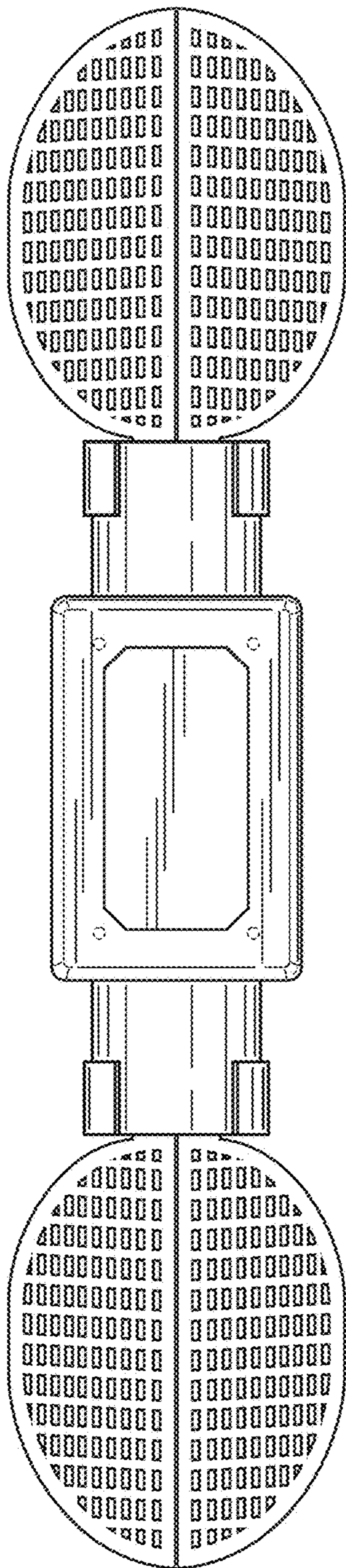


FIG. 4

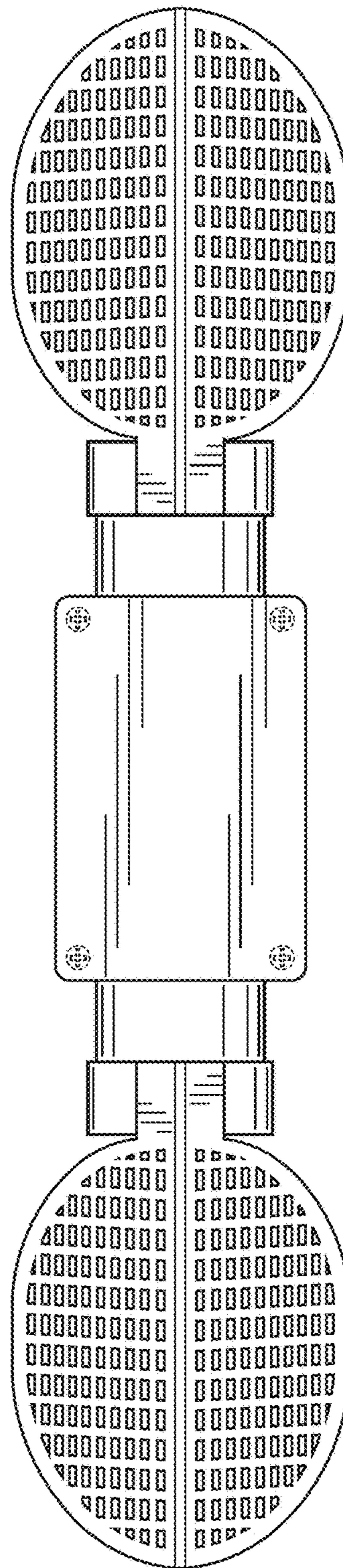


FIG. 5

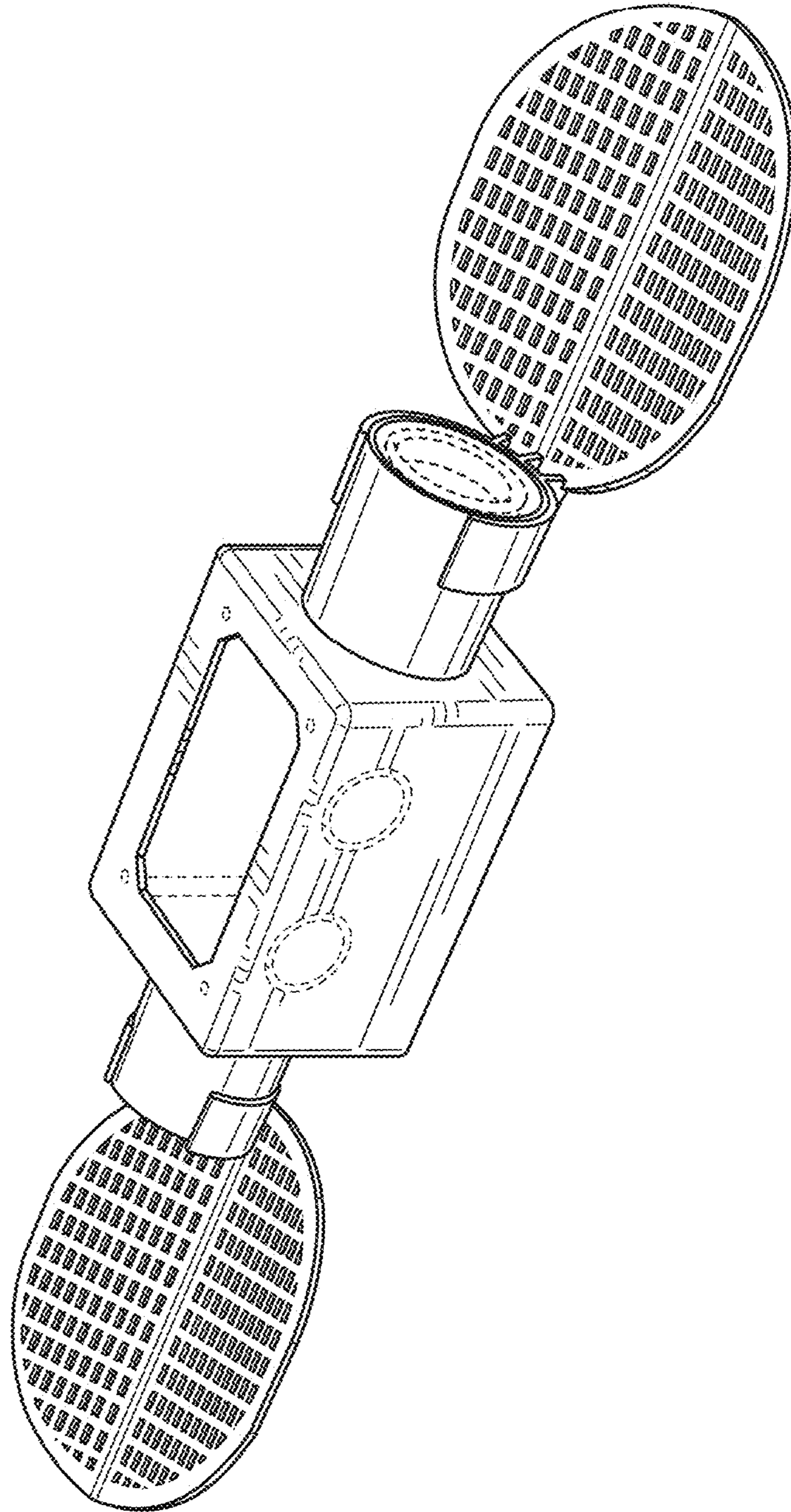


FIG. 6

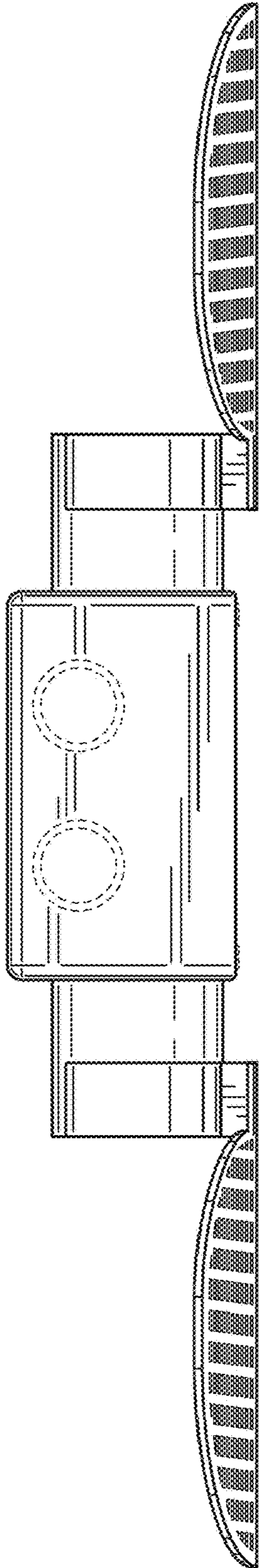


FIG. 7

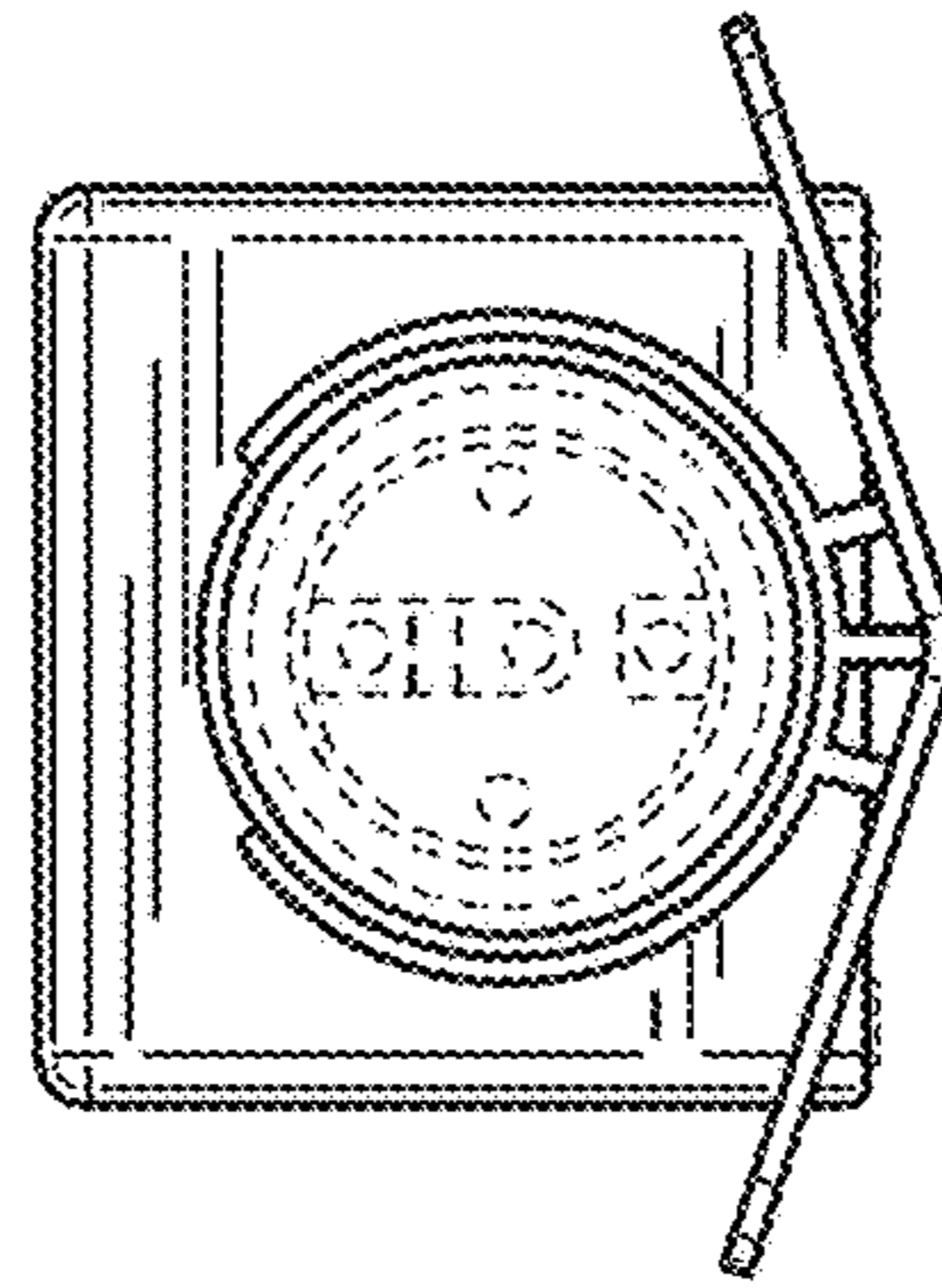


FIG. 8

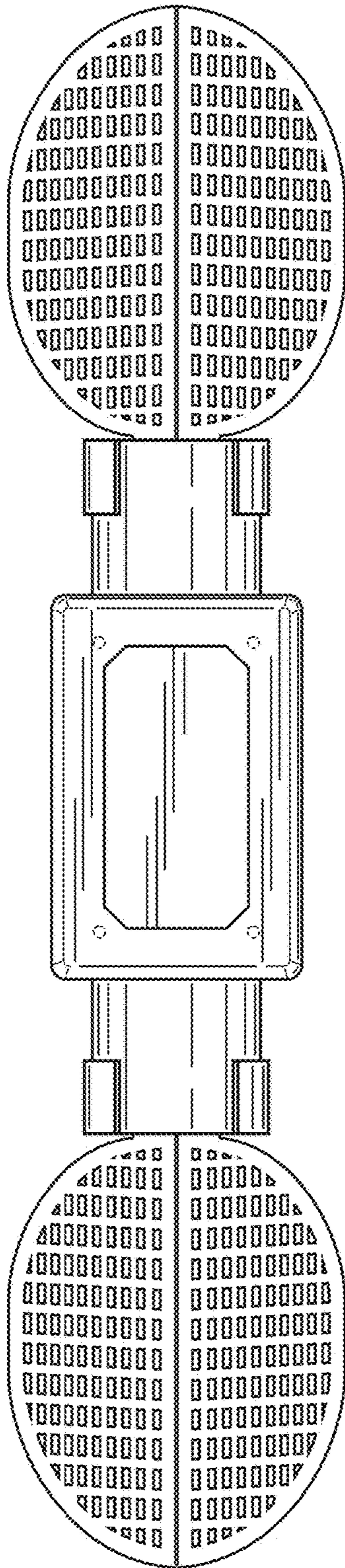


FIG. 9

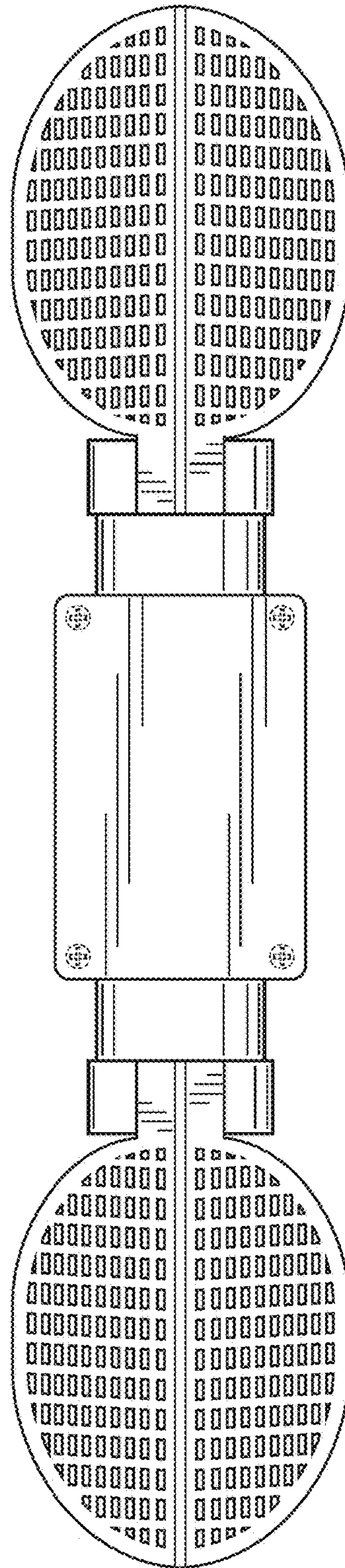


FIG. 10