



US00D857279S

(12) **United States Design Patent** (10) **Patent No.:** **US D857,279 S**
Grcic (45) **Date of Patent:** **** Aug. 20, 2019**

(54) **SUSPENSION LAMP**
(71) Applicant: **FLOS S.P.A.**, Bovezzo, Brescia (IT)
(72) Inventor: **Konstantin Grcic**, Brescia (IT)
(73) Assignee: **FLOS S.P.A.**, Brescia (IT)
(**) Term: **15 Years**

D343,250 S * 1/1994 Fouke D26/131
D344,606 S * 2/1994 Fouke D26/130
D558,384 S * 12/2007 Bickler D26/88
D576,339 S * 9/2008 Porter D26/80
D588,301 S * 3/2009 Sabernig D26/88
D674,530 S * 1/2013 Wanders D26/88
D781,485 S * 3/2017 Bouroullec D26/88
D792,629 S * 7/2017 Tang D26/84

* cited by examiner

(21) Appl. No.: **35/504,171**
(22) Filed: **Sep. 6, 2017**

Primary Examiner — Richard E Chilcot
(74) *Attorney, Agent, or Firm* — Thomas|Horstemeyer, LLP

(80) **Hague Agreement Data**

Int. Filing Date: **Sep. 6, 2017**
Int. Reg. No.: **DM/098838**
Int. Reg. Date: **Sep. 6, 2017**
Int. Reg. Pub. Date: **Dec. 22, 2017**

(57) **CLAIM**

The ornamental design for a suspension lamp, as shown and described.

(30) **Foreign Application Priority Data**

Mar. 16, 2017 (IT) 402017000029197

(51) **LOC (12) Cl.** **26-03**
(52) **U.S. Cl.**
USPC **D26/88**
CPC **F21S 8/04** (2013.01)

(58) **Field of Classification Search**
USPC D26/76-91, 118
CPC F21S 8/04; F21S 8/043; F21S 8/046; F21S 8/06; F21S 8/061; F21S 8/063; F21S 8/065

See application file for complete search history.

(56) **References Cited**

U.S. PATENT DOCUMENTS

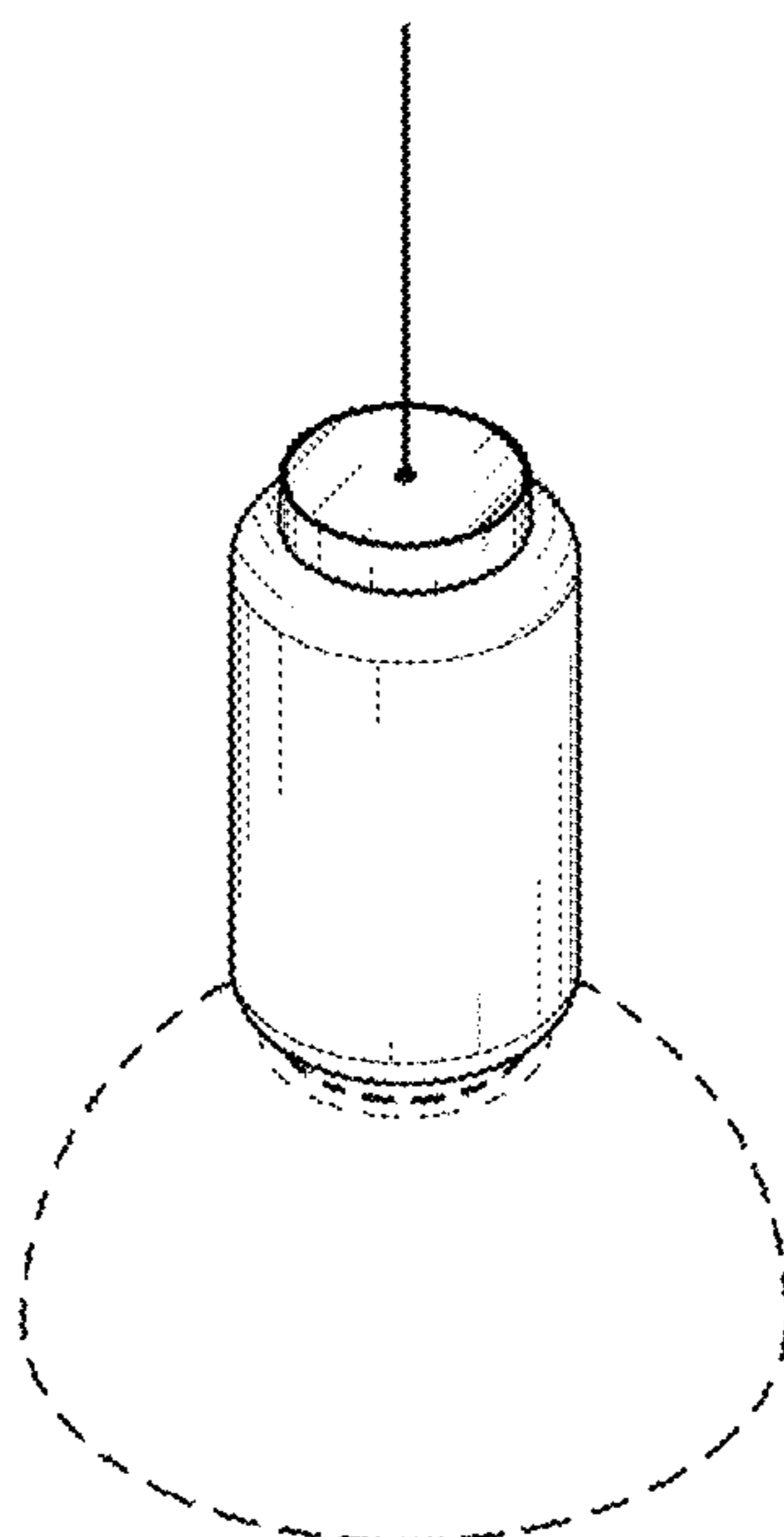
D242,943 S * 1/1977 Lazerson D26/88

DESCRIPTION

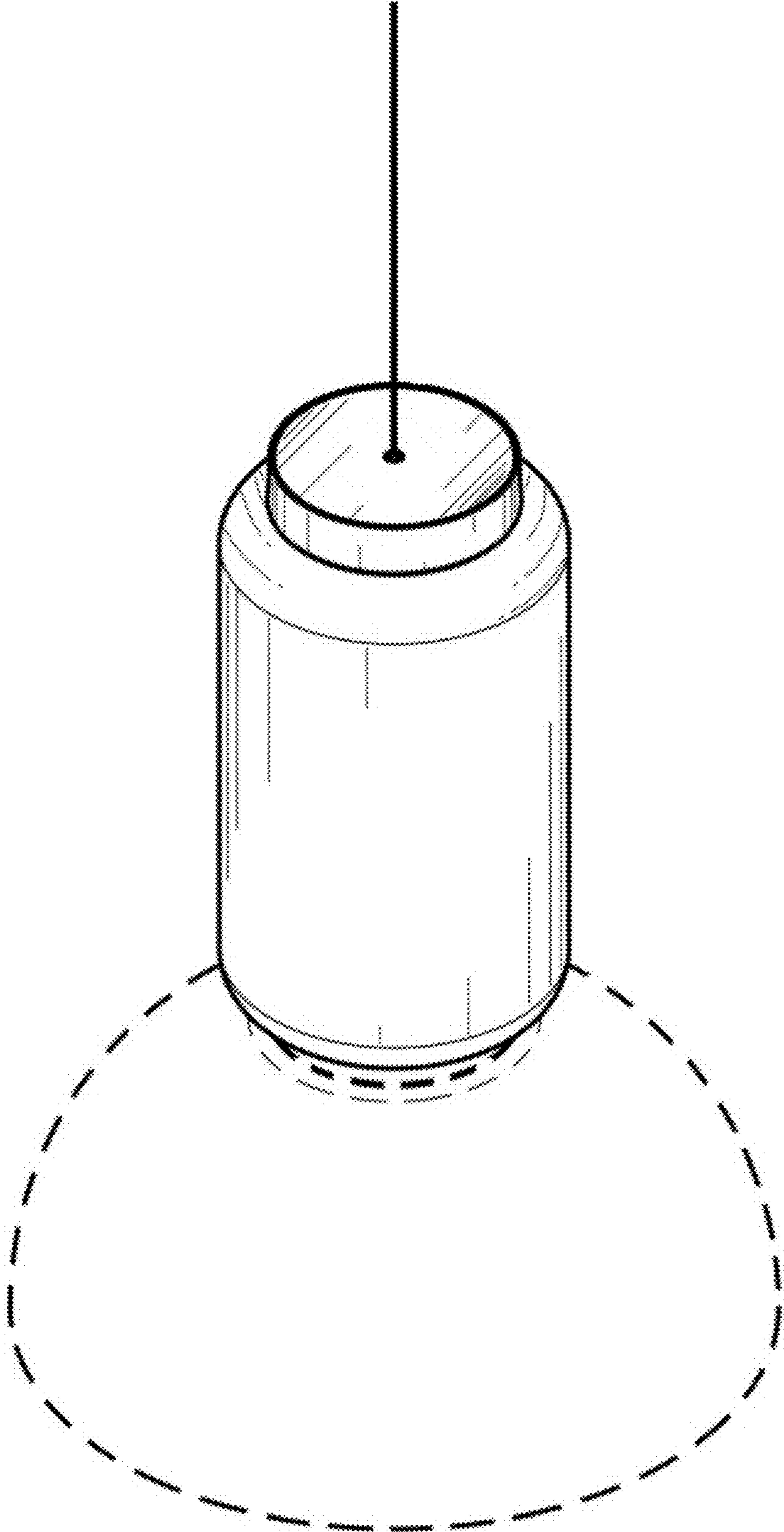
1.1 is a front perspective view of a suspension lamp, showing my new design;
1.2 is a side view thereof;
1.3 is a side view thereof, from a side different than **1.2**;
1.4 is a side view thereof, from a side different than **1.2** and **1.3**;
1.5 is a side view thereof, from a side different than **1.2**, **1.3**, and **1.4**;
1.6 is a top view thereof; and
1.7 is a bottom view thereof.

The broken lines in the figures are for the purpose of illustrating portions of a suspension lamp that form no part of the claimed design.

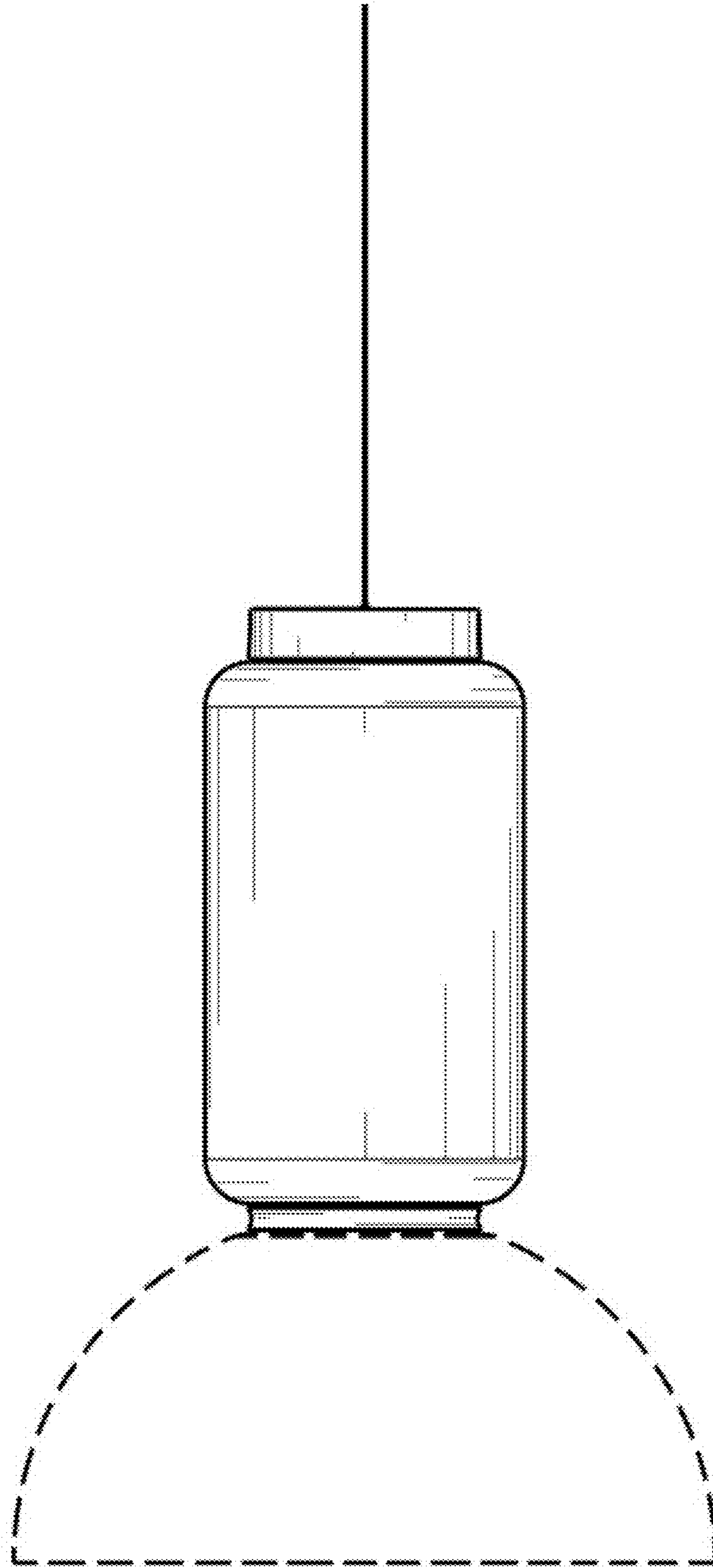
1 Claim, 7 Drawing Sheets



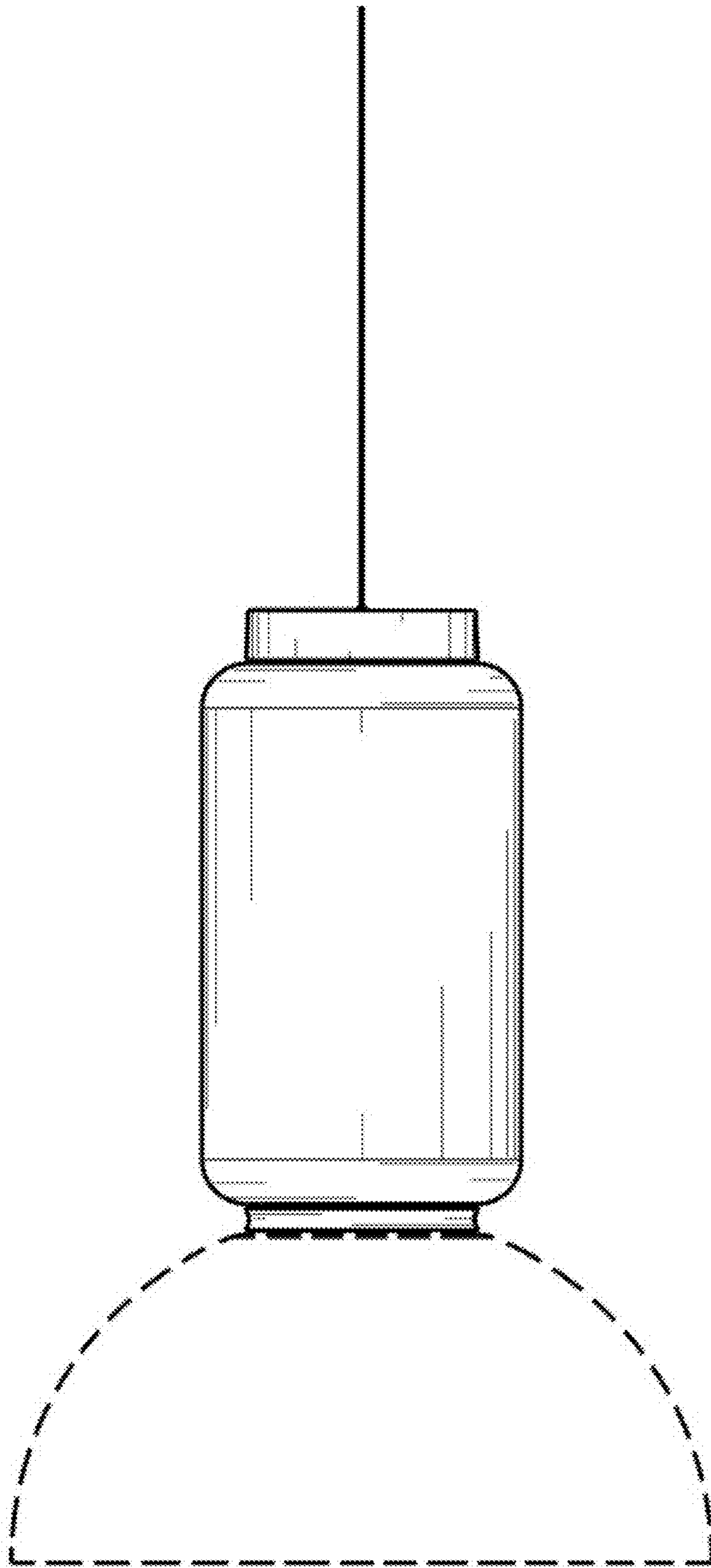
1.1



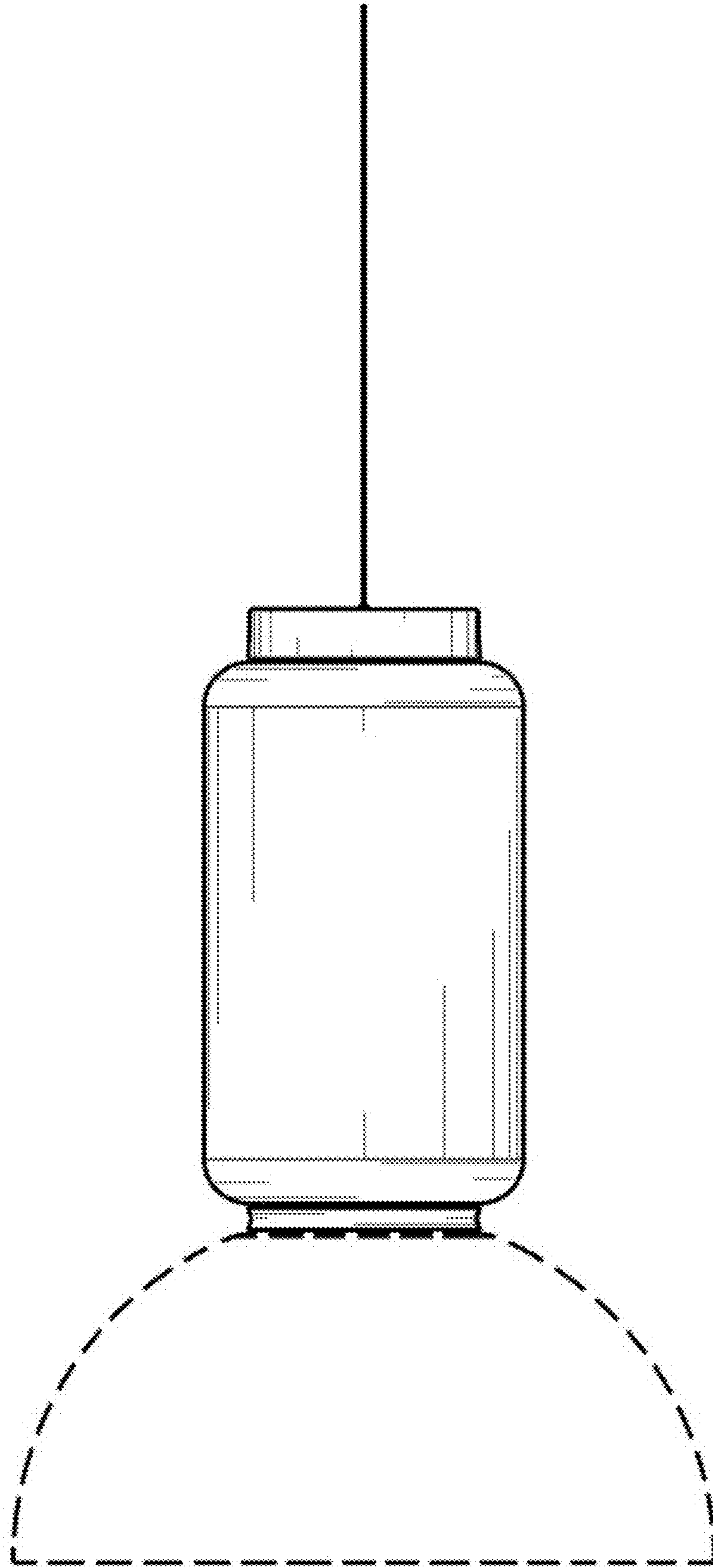
1.2



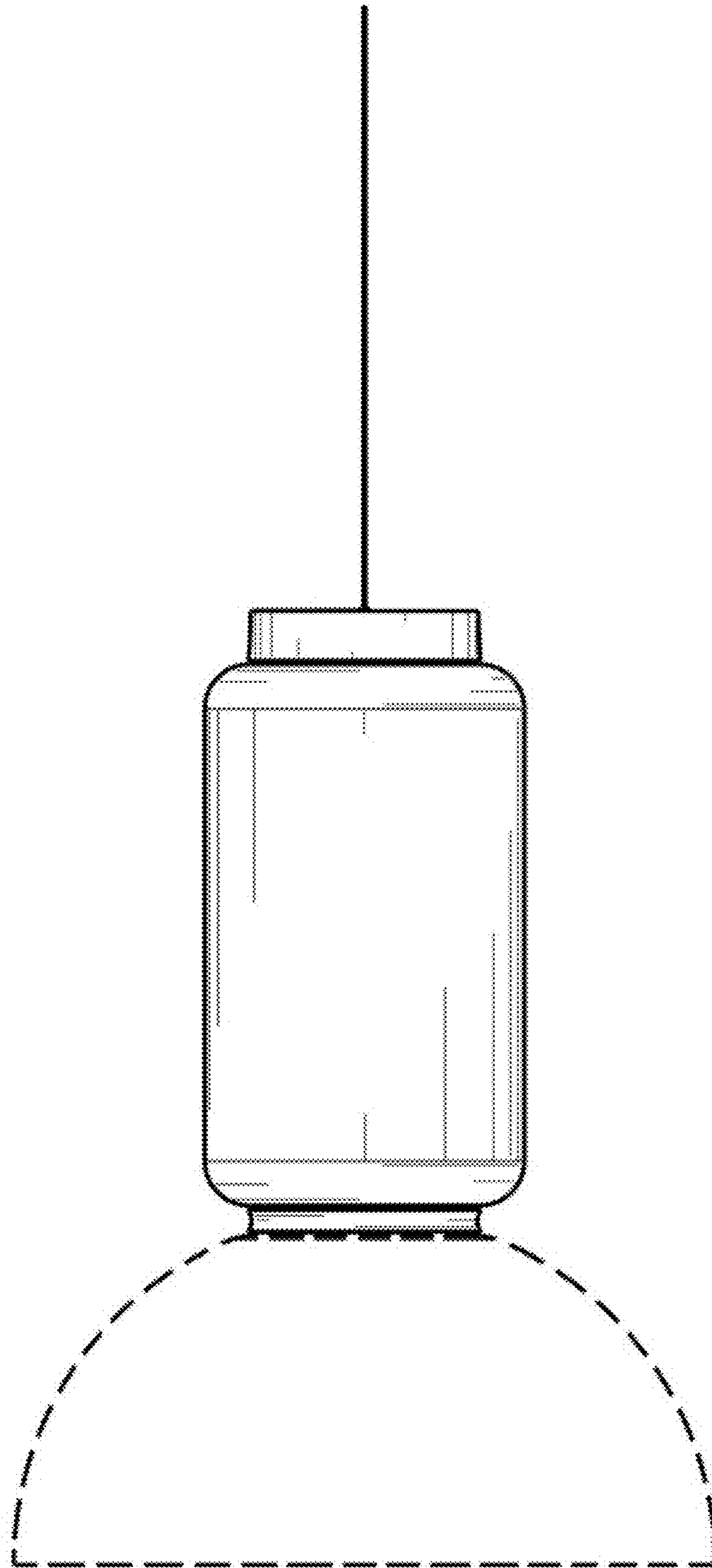
1.3



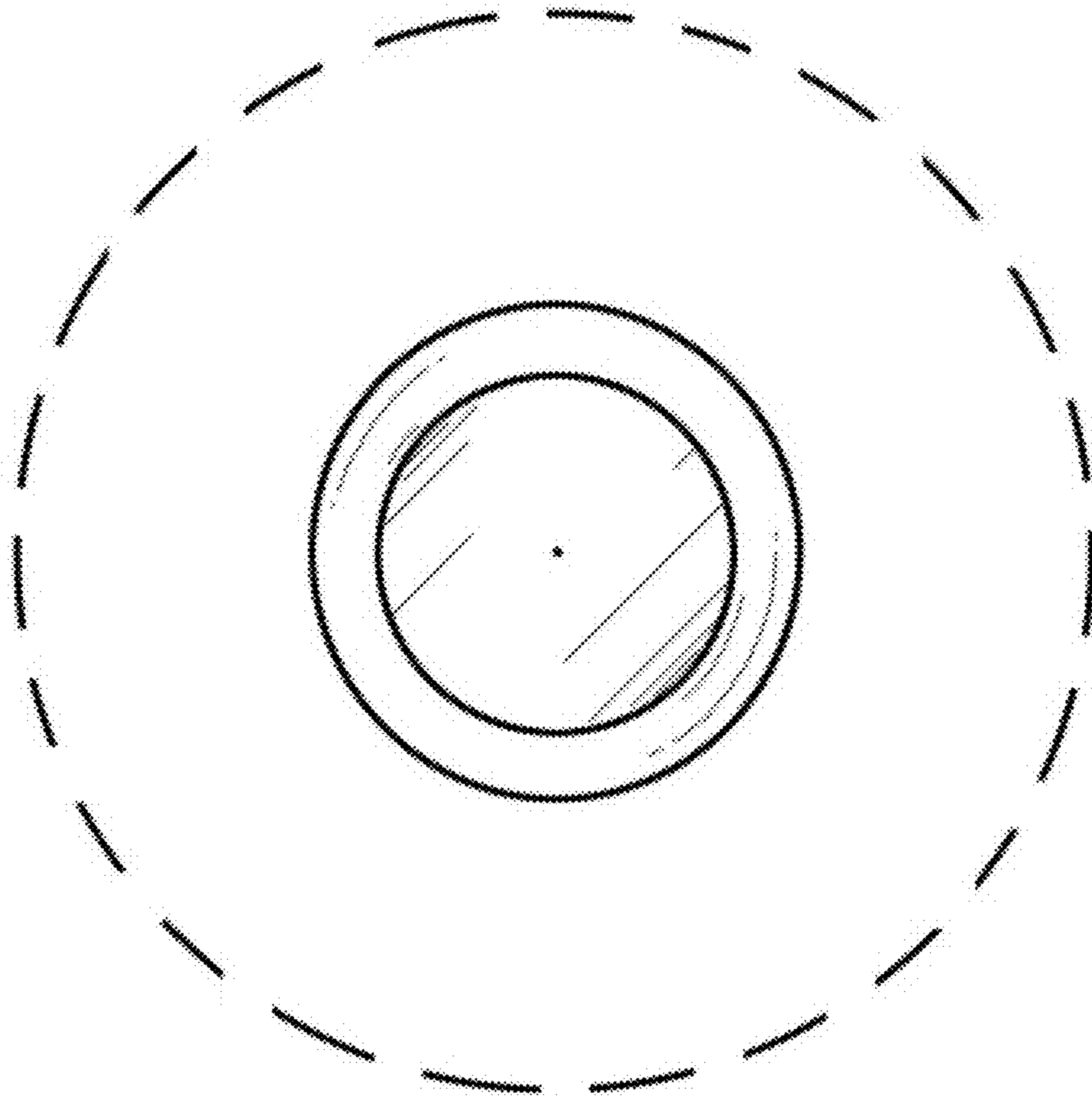
1.4



1.5



1.6



1.7

