



US00D857277S

(12) **United States Design Patent**
Amato et al.

(10) **Patent No.:** **US D857,277 S**

(45) **Date of Patent:** **** Aug. 20, 2019**

(54) **LIGHTING FIXTURE**

(71) Applicant: **The Urban Electric Company**, North Charleston, SC (US)

(72) Inventors: **Michael Amato**, London (GB); **David Dawson**, Charleston, SC (US); **Jonathan Charpia**, Summerville, SC (US); **Joeangel Casanova**, North Charleston, SC (US); **Brianna Magagnoli**, North Charleston, SC (US); **Janis Golubeckis**, Mount Pleasant, SC (US)

(73) Assignee: **The Urban Electric Company**, North Charleston, SC (US)

(**) Term: **15 Years**

(21) Appl. No.: **29/648,513**

(22) Filed: **May 22, 2018**

(51) **LOC (12) Cl.** **26-02**

(52) **U.S. Cl.**
USPC **D26/88**

(58) **Field of Classification Search**
USPC D26/72, 80, 83, 85, 86, 87, 88, 89
CPC F21S 8/03; F21S 8/04; F21S 8/043; F21S 8/046; F21S 8/06; F21S 8/061; F21S 8/063; F21V 21/02; F21V 21/03
See application file for complete search history.

(56) **References Cited**

U.S. PATENT DOCUMENTS

D64,682 S *	5/1924	Ostrow	D26/89
D185,874 S *	8/1959	Rambusch	D26/88
3,321,619 A *	5/1967	Dailey	F21S 8/088
				362/367
3,366,785 A *	1/1968	Huber, Jr.	F21S 8/088
				362/310

D457,676 S *	5/2002	Cheong	D26/67
D483,138 S *	12/2003	Chen	D26/67
D603,083 S *	10/2009	Trumble	D26/90
D694,932 S *	12/2013	Meyer	D26/67
D766,489 S *	9/2016	Moon	D26/87
D772,463 S *	11/2016	Stern	D26/67
D830,610 S *	10/2018	Amato	D26/87
D831,262 S *	10/2018	Amato	D26/88

OTHER PUBLICATIONS

Semi-Flush (Convertible) (White Gold & Clear Glass) (7FQT) by Inspire Lighting. From inspire-lighting.com visited Apr. 16, 2019. (Year: 2019).*

* cited by examiner

Primary Examiner — Clare E Heflin

(74) *Attorney, Agent, or Firm* — Jeffrey T. Stover; Haynsworth Sinkler Boyd, P.A.

(57) **CLAIM**

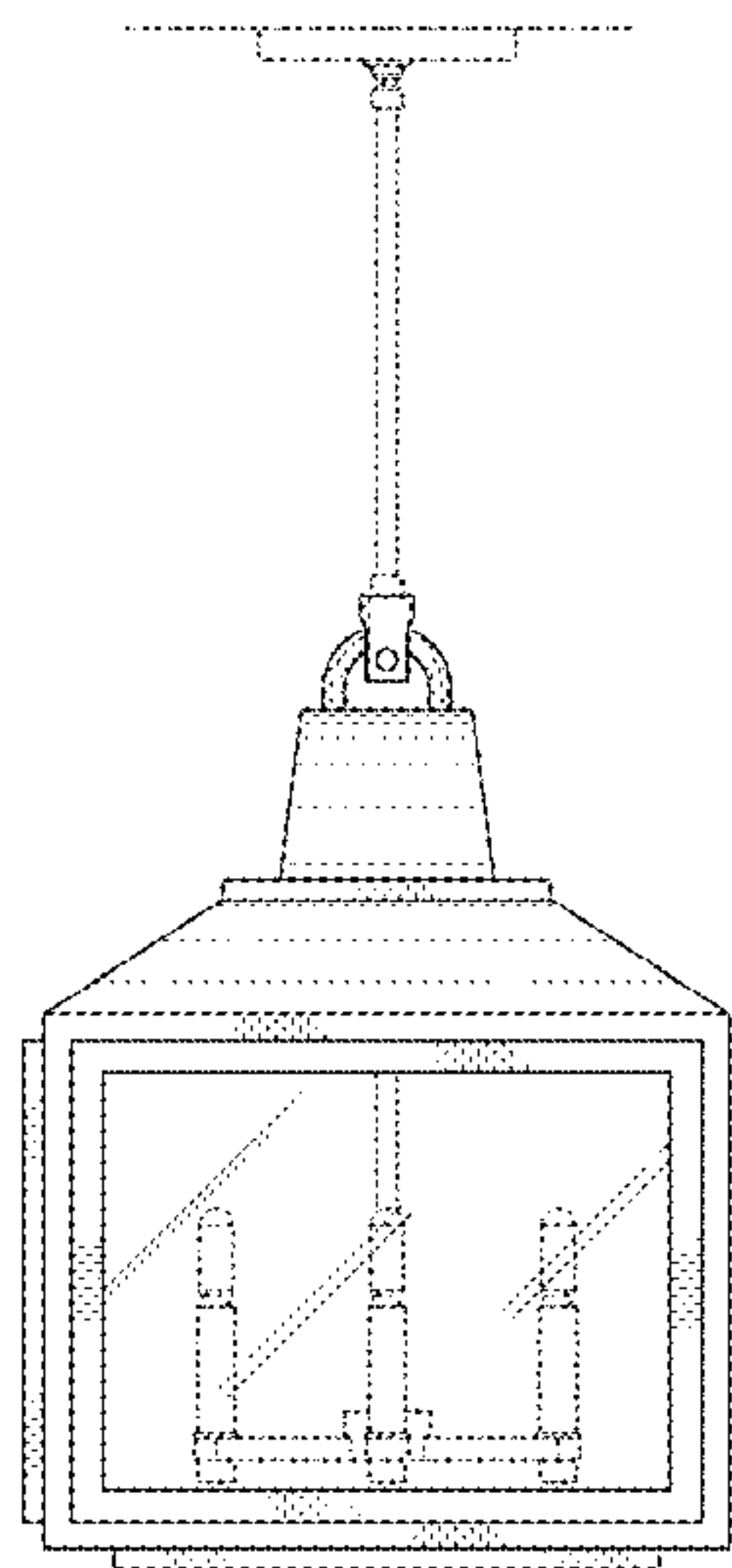
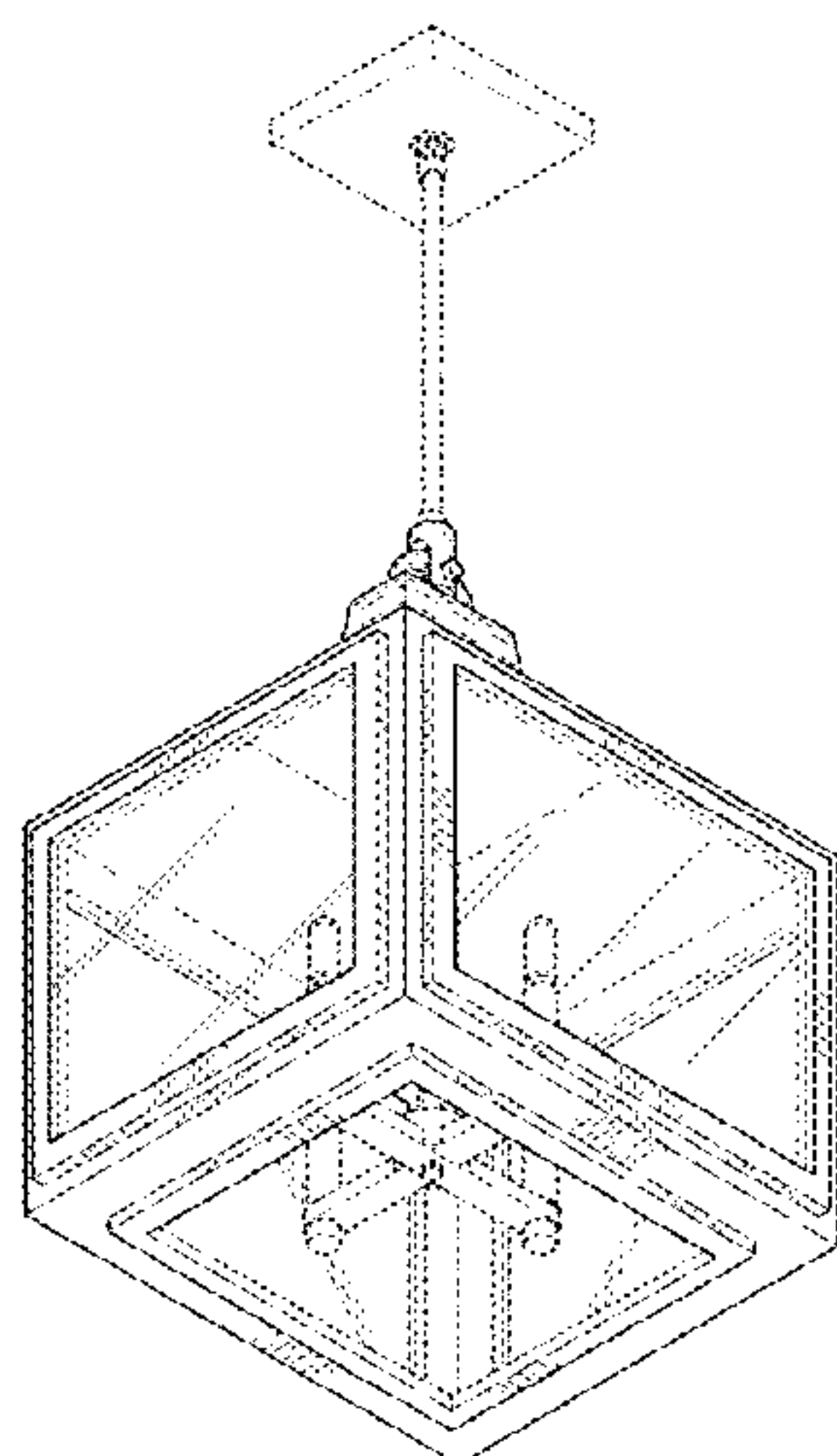
The ornamental design for a lighting fixture, as shown and described.

DESCRIPTION

FIG. 1 is a top perspective view of a new lighting fixture; FIG. 2 is a bottom perspective view thereof; FIG. 3 is a front elevational view thereof; FIG. 4 is a back elevational view thereof; FIG. 5 is a left elevational view thereof; FIG. 6 is a right elevational view thereof; FIG. 7 is a top plan view thereof; and, FIG. 8 is a bottom plan view thereof.

The horizontal broken line appearing at the top of FIGS. 3 through 6 represents environmental structure which forms no part of the claimed design. The remaining broken line disclosures in the views represent portions of the lighting fixture which form no part of the claimed design.

1 Claim, 7 Drawing Sheets



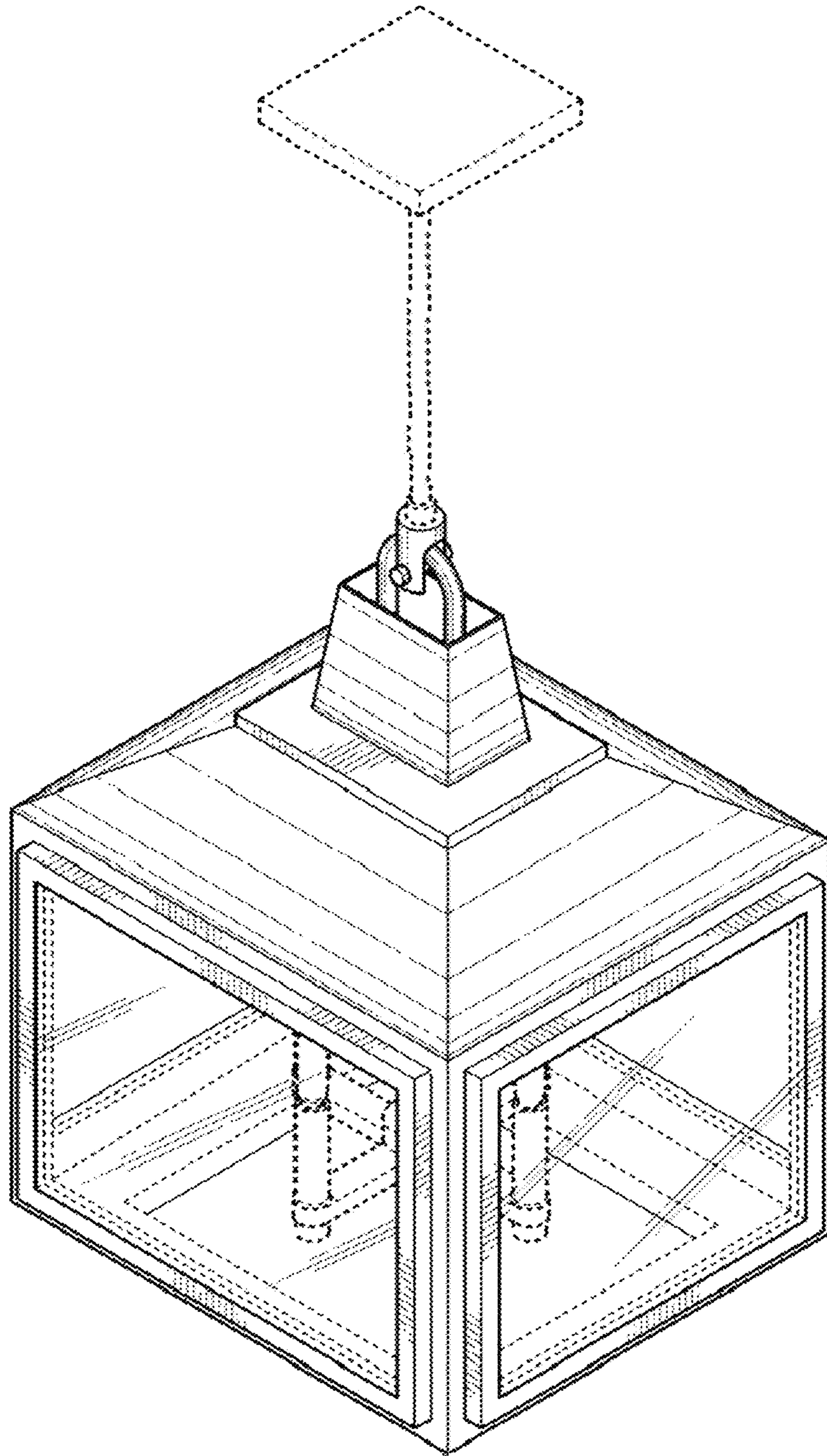


FIG. 1

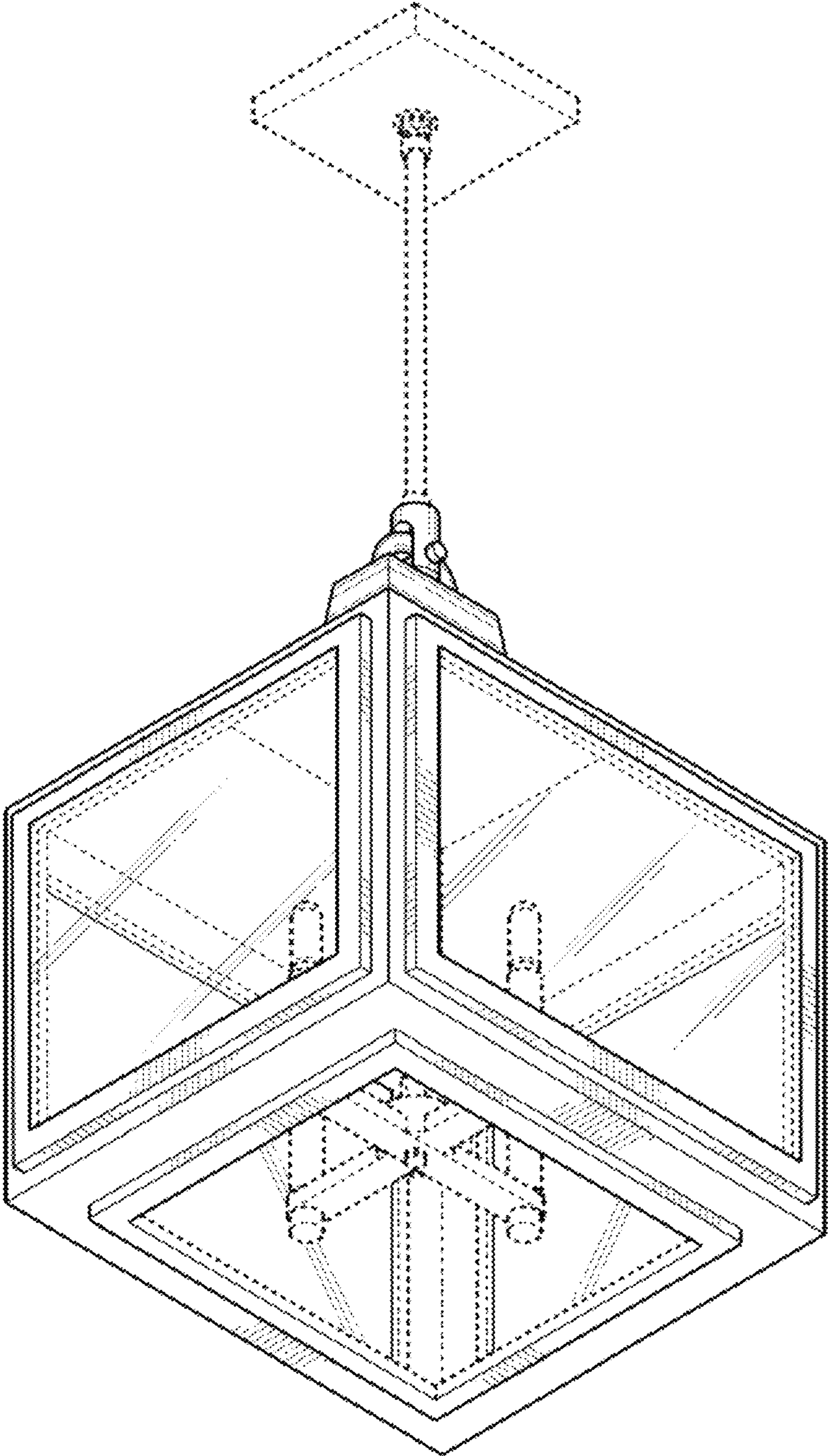


FIG. 2

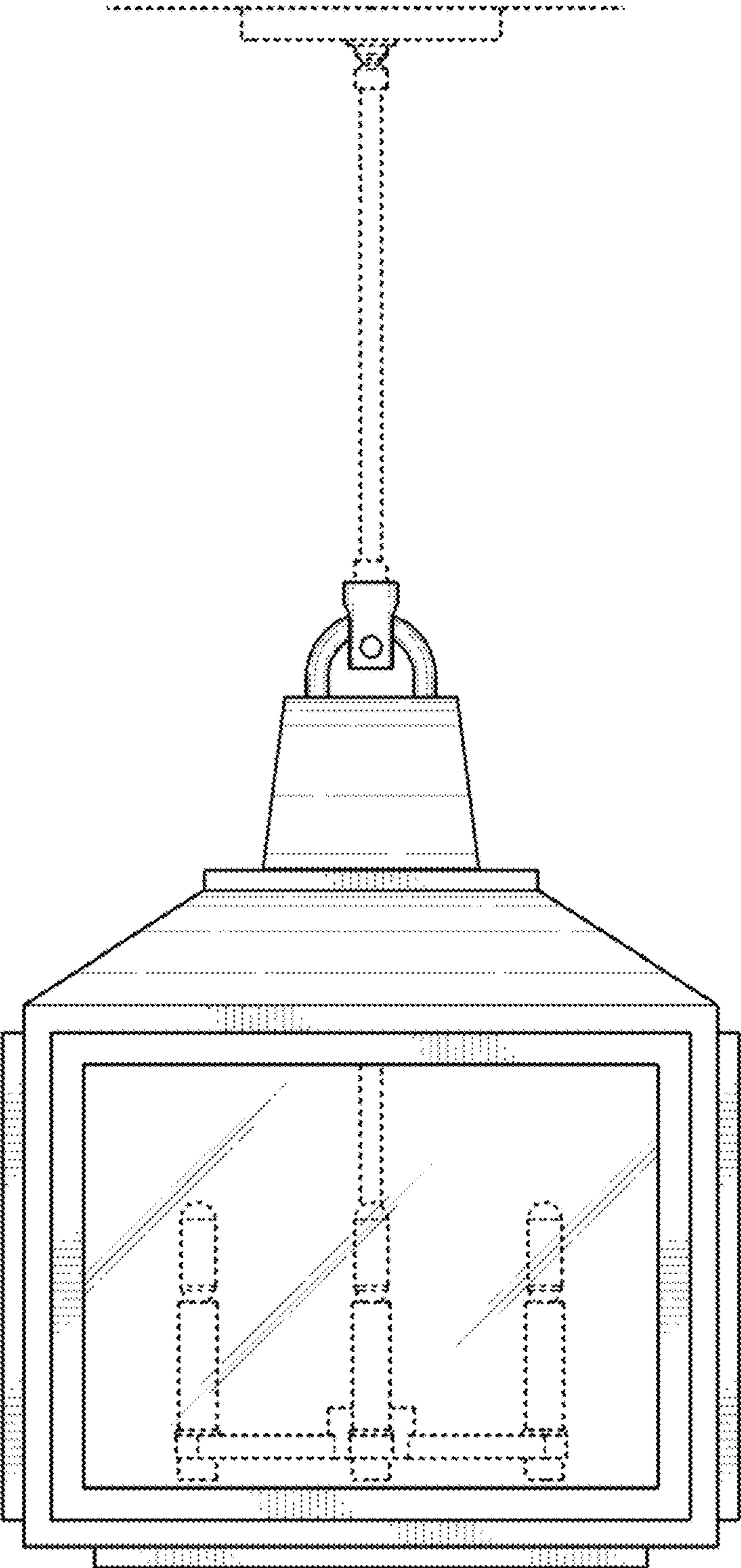


FIG. 3

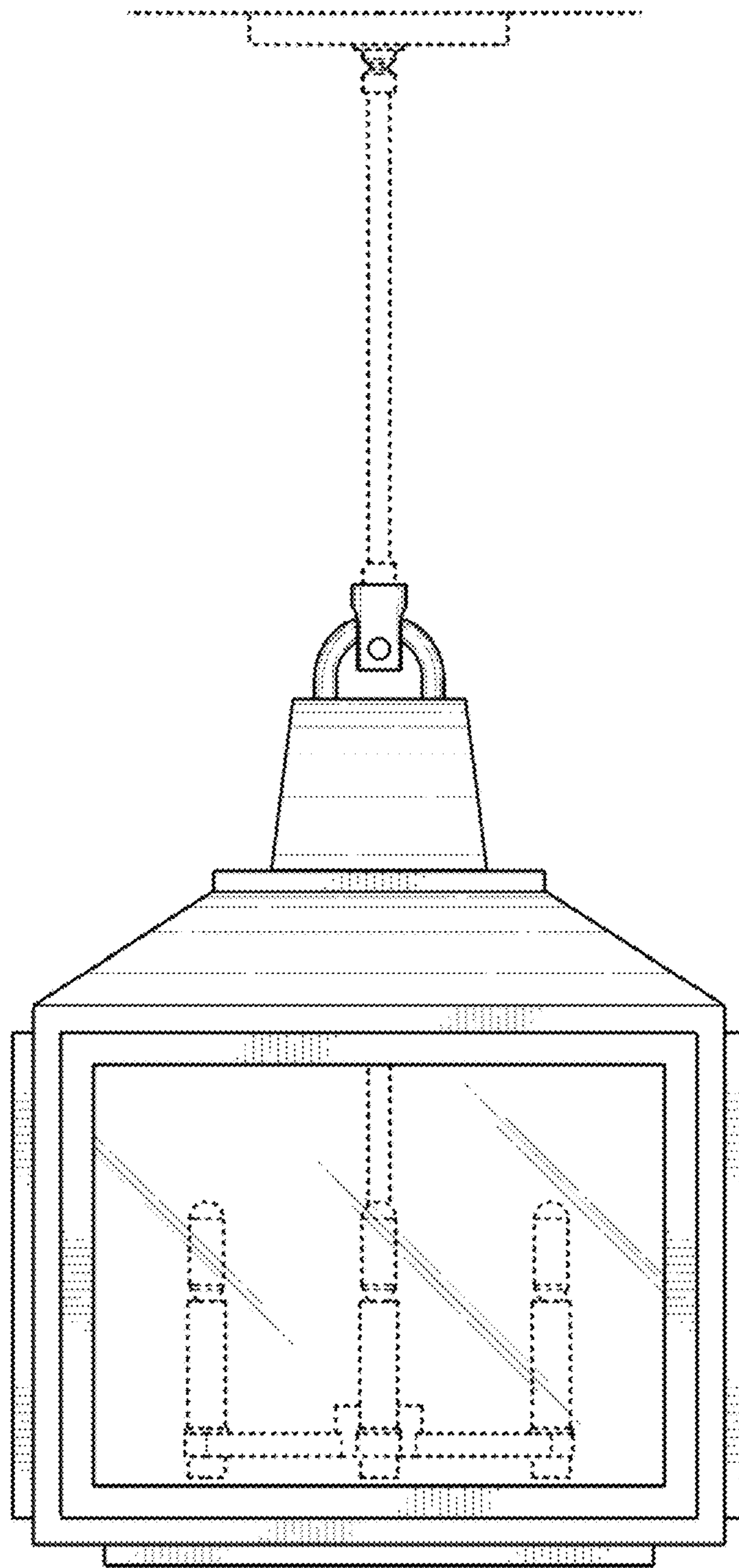


FIG. 4

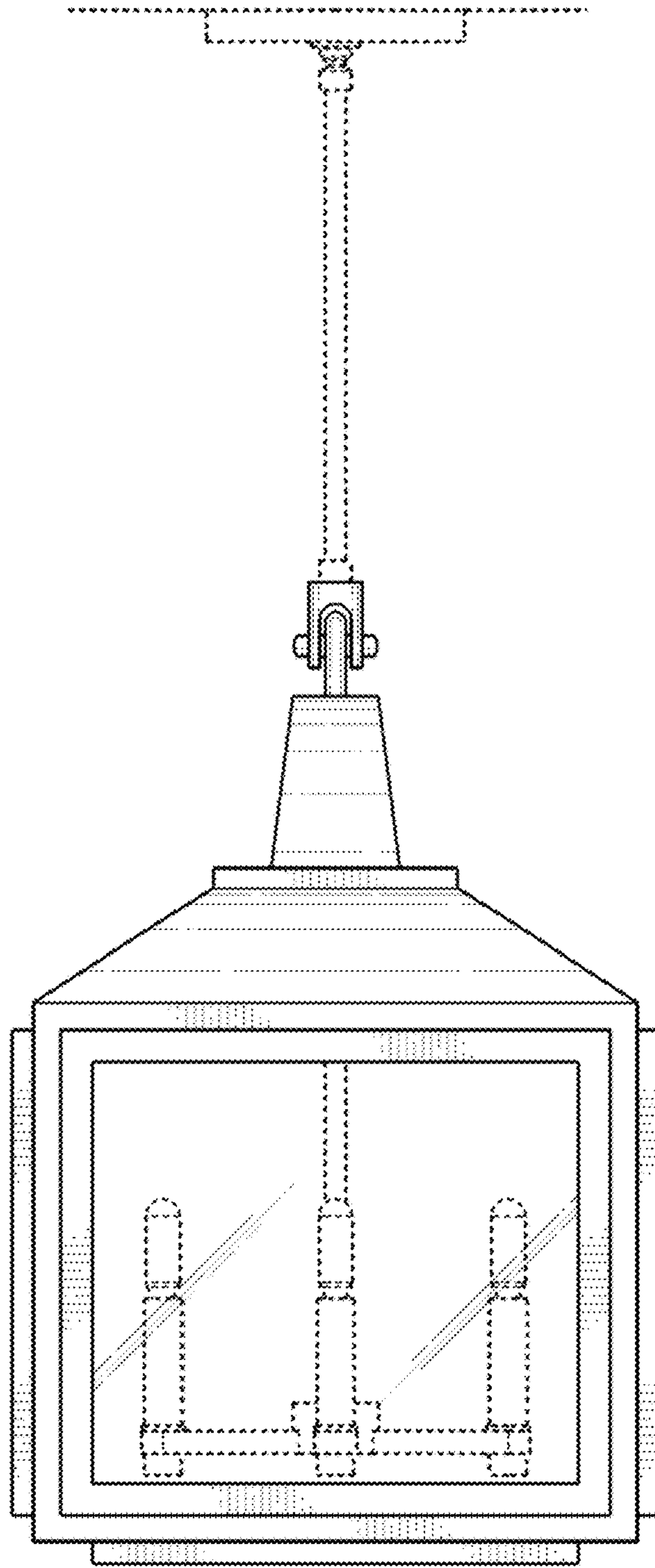


FIG. 5

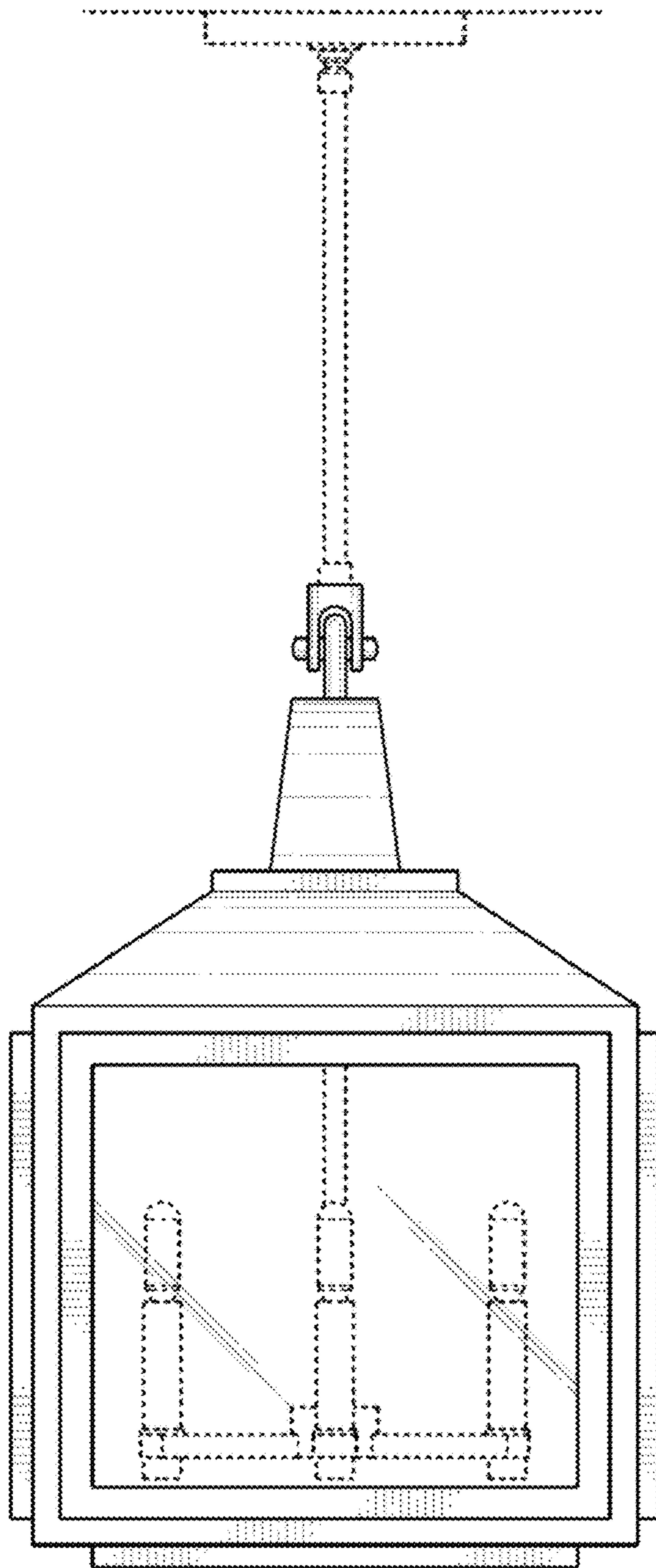


FIG. 6

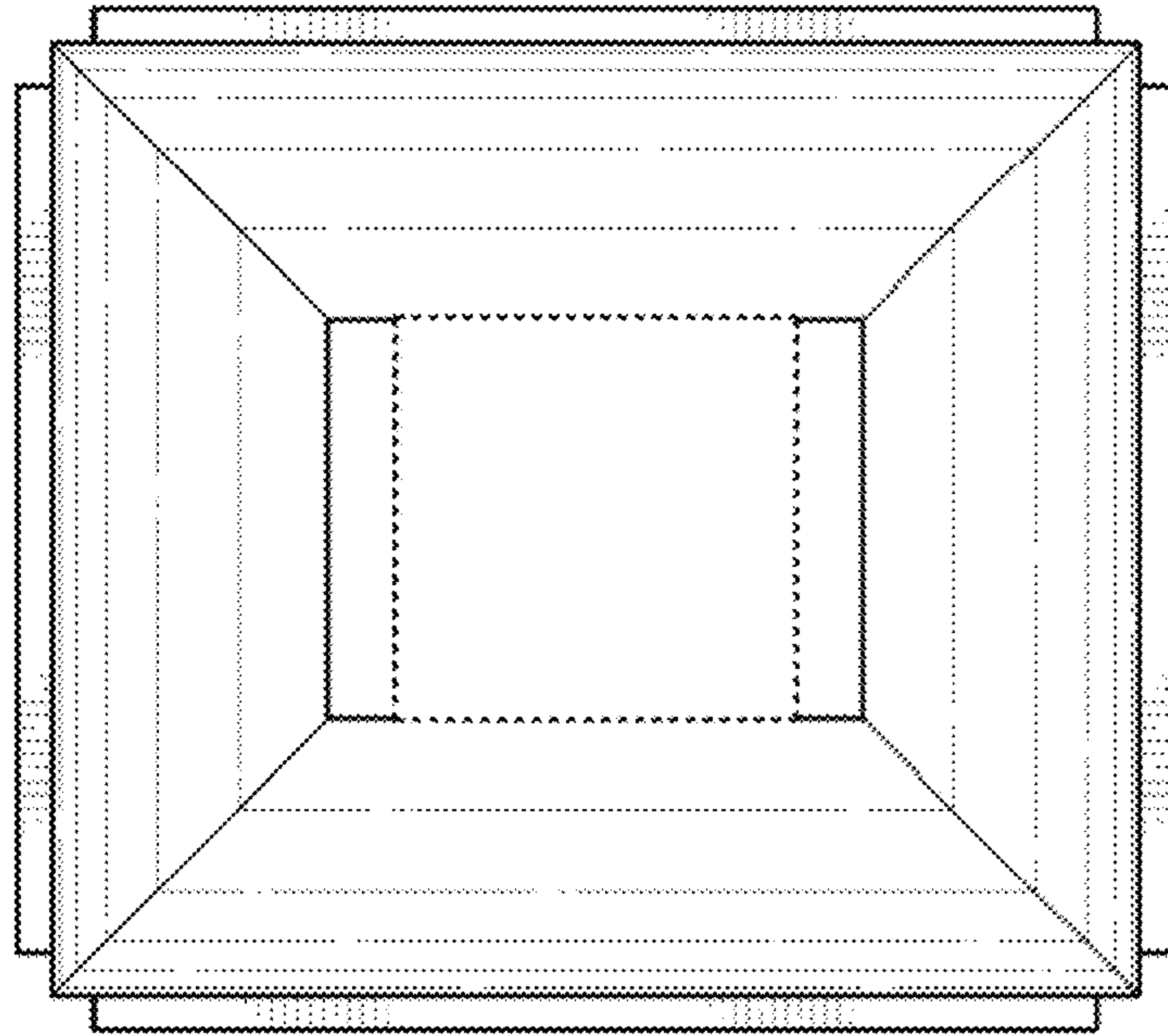


FIG. 7

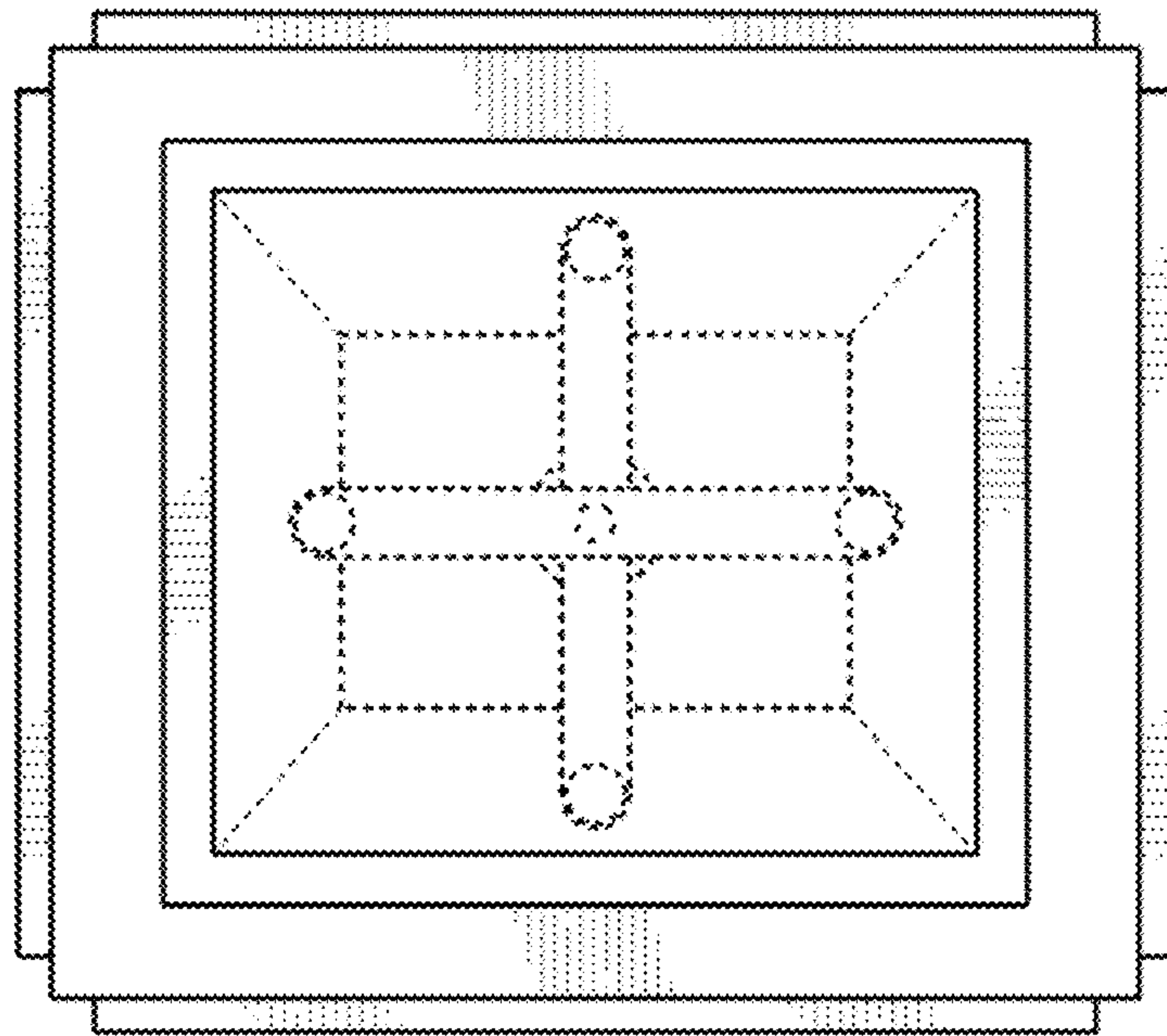


FIG. 8