



US00D857275S

(12) **United States Design Patent** (10) **Patent No.:** **US D857,275 S**
Xiang et al. (45) **Date of Patent:** **** Aug. 20, 2019**

(54) **SOLID STATE WALLPACK LIGHTING
FIXTURE**

(71) Applicant: **MaxLite, Inc.**, West Caldwell, NJ (US)

(72) Inventors: **Jun Xiang**, Parsippany, NJ (US); **Amro
El-Adle**, Granby, MA (US)

(73) Assignee: **MaxLite, Inc.**, West Caldwell, NJ (US)

(**) Term: **15 Years**

(21) Appl. No.: **29/650,907**

(22) Filed: **Jun. 11, 2018**

Related U.S. Application Data

(62) Division of application No. 29/572,950, filed on Aug. 1, 2016, now Pat. No. Des. 825,813.

(51) **LOC (12) Cl.** **26-03**

(52) **U.S. Cl.**
USPC **D26/85**

(58) **Field of Classification Search**
USPC D26/72, 85, 87, 92; D10/106.6, 106.8
CPC F21S 8/03; F21S 8/033; F21S 8/036; F21S
8/037; F21S 9/022; F21S 9/024; F21S
9/03; F21S 9/035; F21S 9/037; F21W
2131/107

See application file for complete search history.

(56) **References Cited**

U.S. PATENT DOCUMENTS

D190,385 S	5/1961	Schreckengost
D197,530 S	2/1964	Jaffe, Jr. et al.
D201,199 S	5/1965	Van Steenhoven
D228,667 S	10/1973	Anderson, Jr.
D279,871 S	7/1985	Guscott et al.
4,939,359 A	7/1990	Freeman
D380,853 S	7/1997	Johnson
D553,789 S	10/2007	Akinrele et al.
D577,146 S	9/2008	Haugaard et al.

D627,916 S	11/2010	Butteris et al.	
D653,377 S	1/2012	Guercio	
D681,864 S	5/2013	Guercio et al.	
D691,320 S	10/2013	Guercio et al.	
D716,990 S	11/2014	Yu	
D815,331 S *	4/2018	Yang	D26/85
D823,521 S *	7/2018	Lehman	D26/85
D825,813 S *	8/2018	Xiang	D26/85
D826,455 S *	8/2018	Moon	D26/85
D829,359 S *	9/2018	Zhang	D26/85
D829,955 S *	10/2018	Recker	D26/85
2009/0034242 A1	2/2009	Engel	
2014/0177228 A1	6/2014	Ellingson et al.	

OTHER PUBLICATIONS

Maxlite Precision Wallpacks. Found at maxlite.com visited Sep. 5, 2017. (2 pages).

* cited by examiner

Primary Examiner — Clare E Hefflin

(74) *Attorney, Agent, or Firm* — Budzyn IP Law, LLC

(57) **CLAIM**

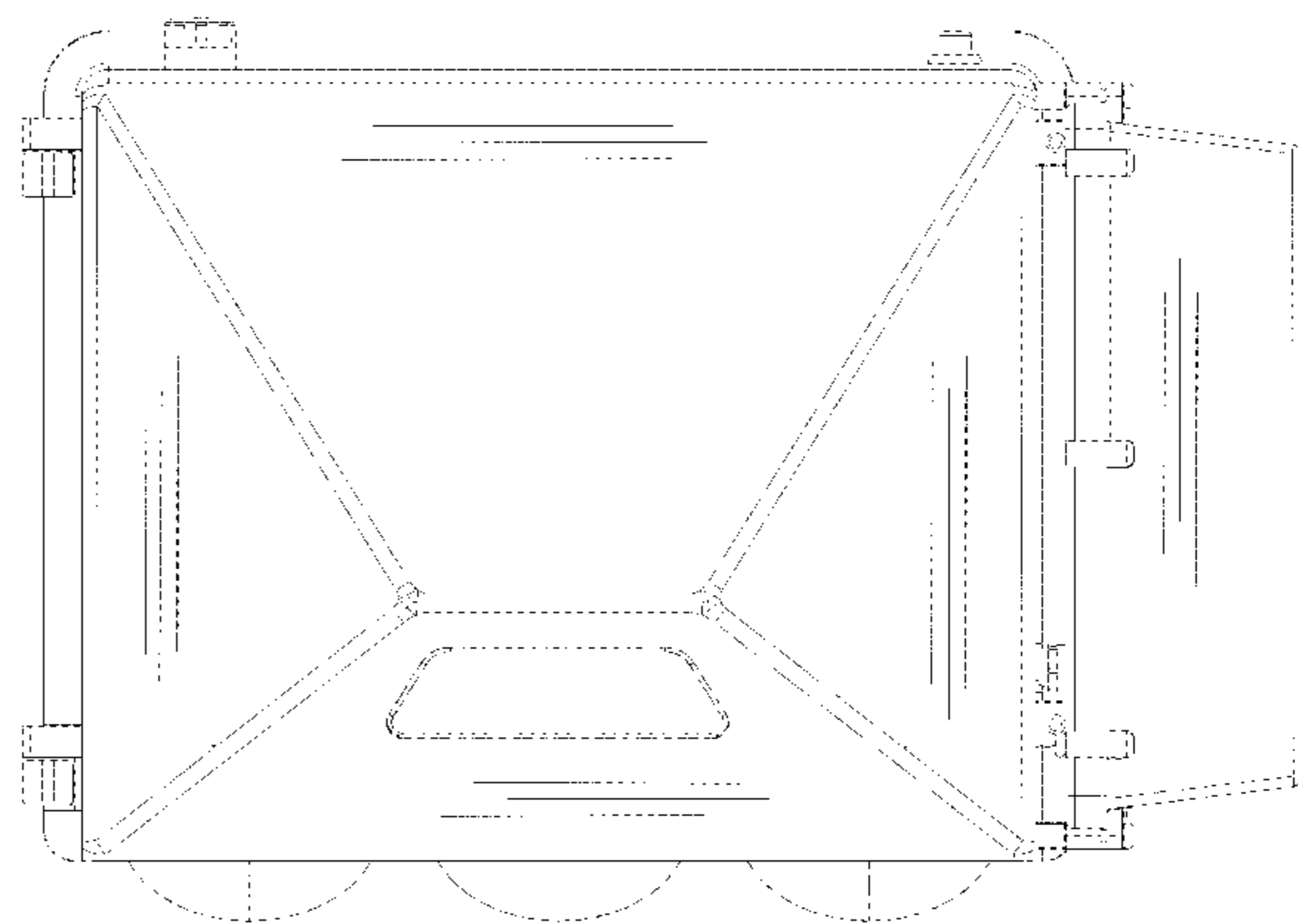
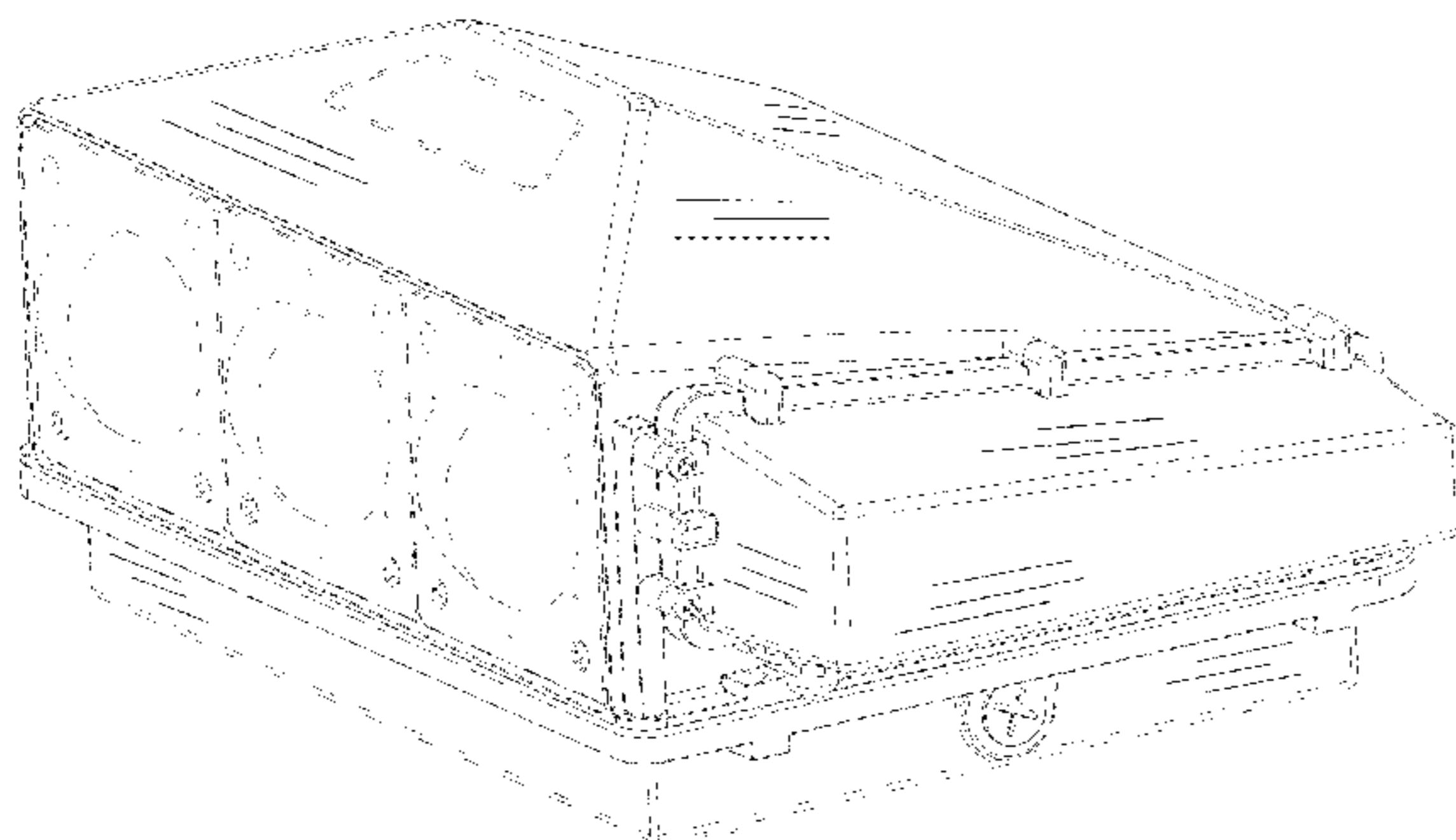
The ornamental design for a solid state wallpack lighting fixture, as shown and described.

DESCRIPTION

FIG. 1 is a top perspective view of a solid state wallpack lighting fixture;
FIG. 2 is a front elevational view thereof;
FIG. 3 is a rear elevational view thereof;
FIG. 4 is a top plan view thereof;
FIG. 5 is a bottom plan view thereof;
FIG. 6 is a left elevational view thereof; and,
FIG. 7 is a right elevational view thereof.

The broken lines in the drawings are included for the purpose of illustrating elements of the solid state lighting fixture that form no part of the claimed design.

1 Claim, 7 Drawing Sheets



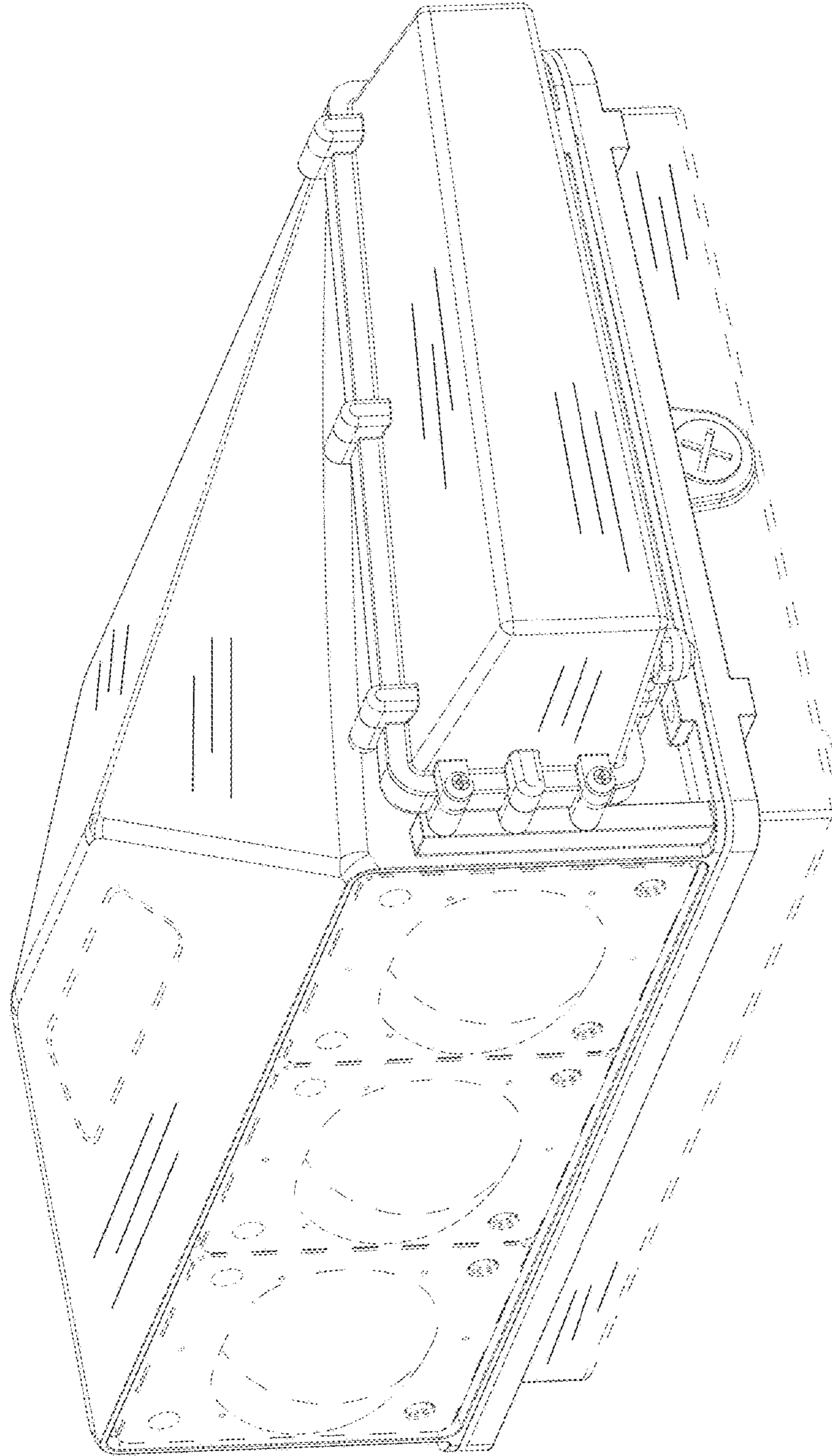


FIG. 1

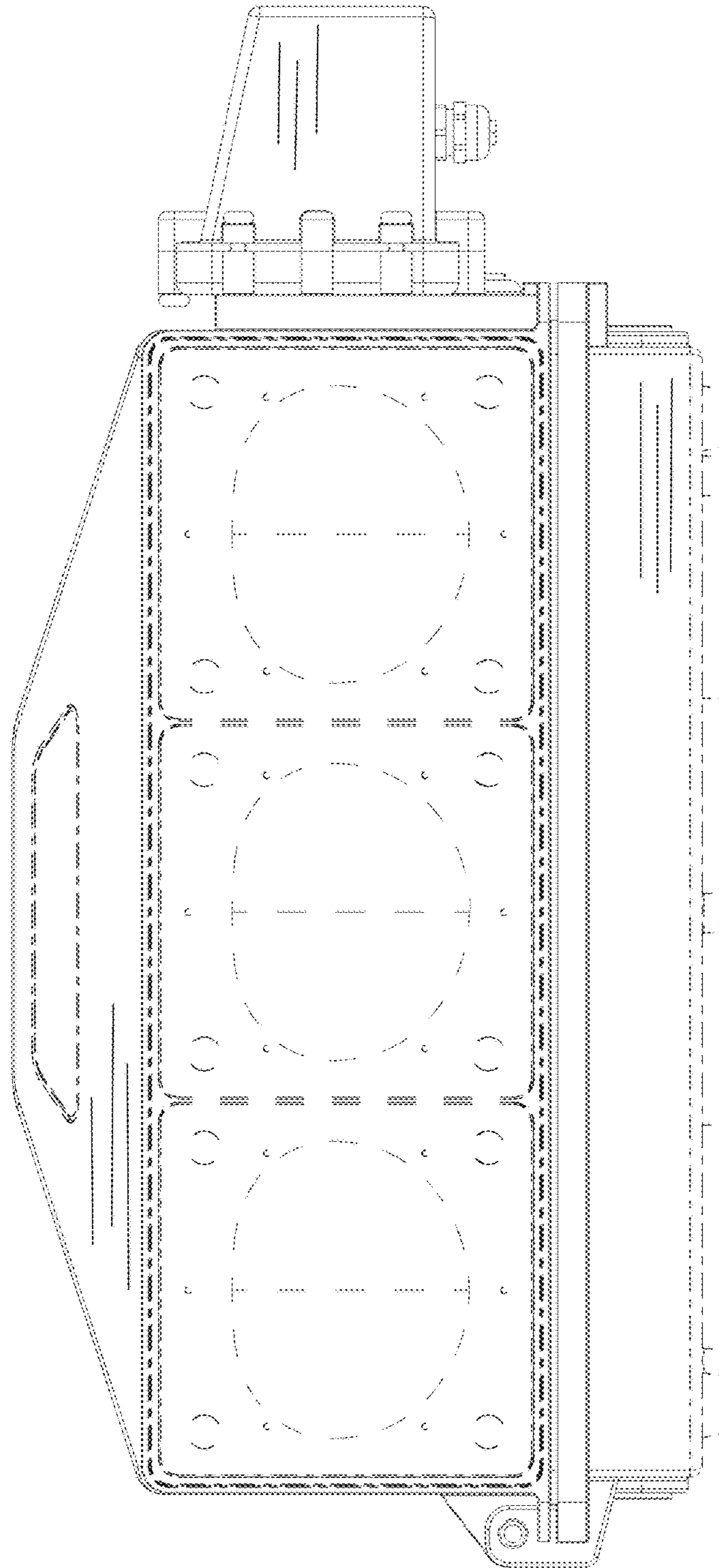


FIG. 2

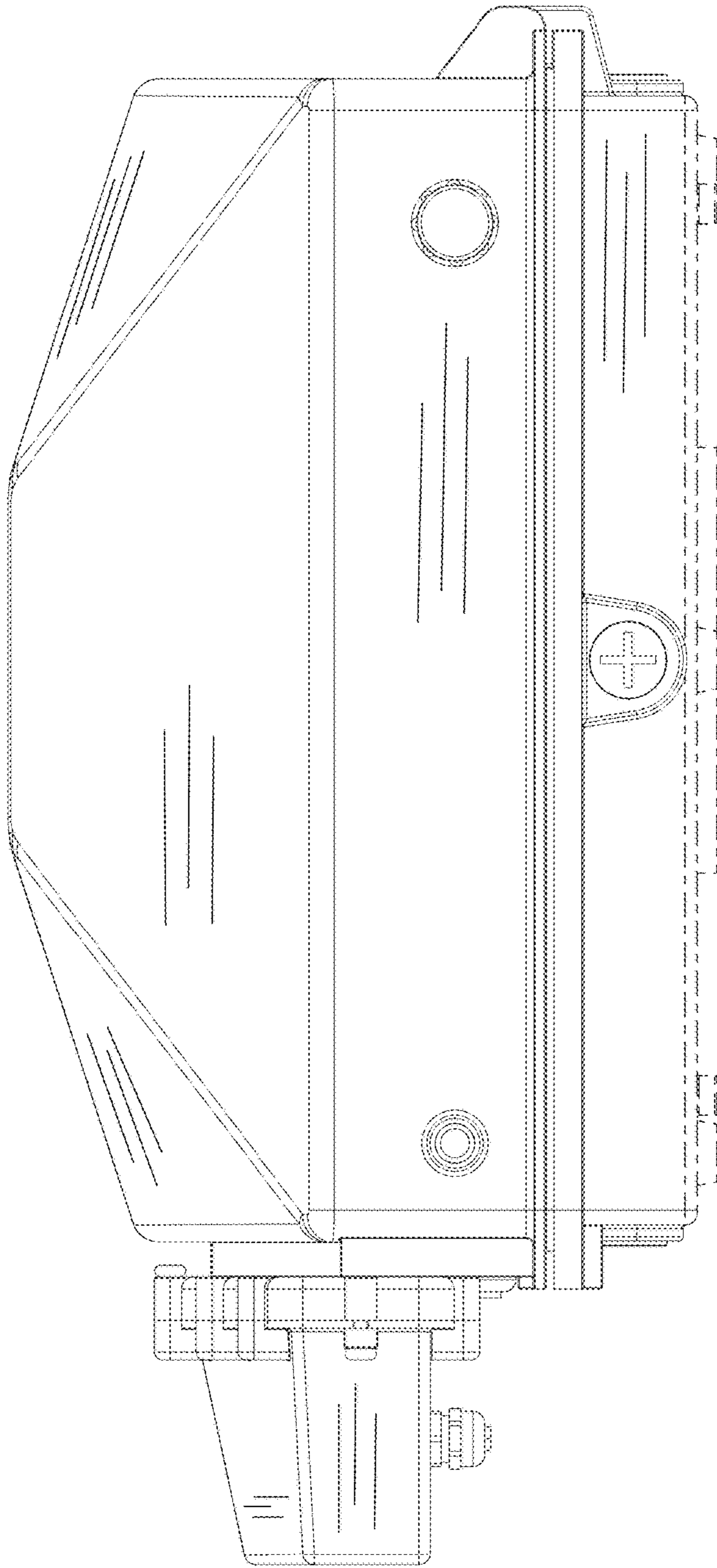


FIG. 3

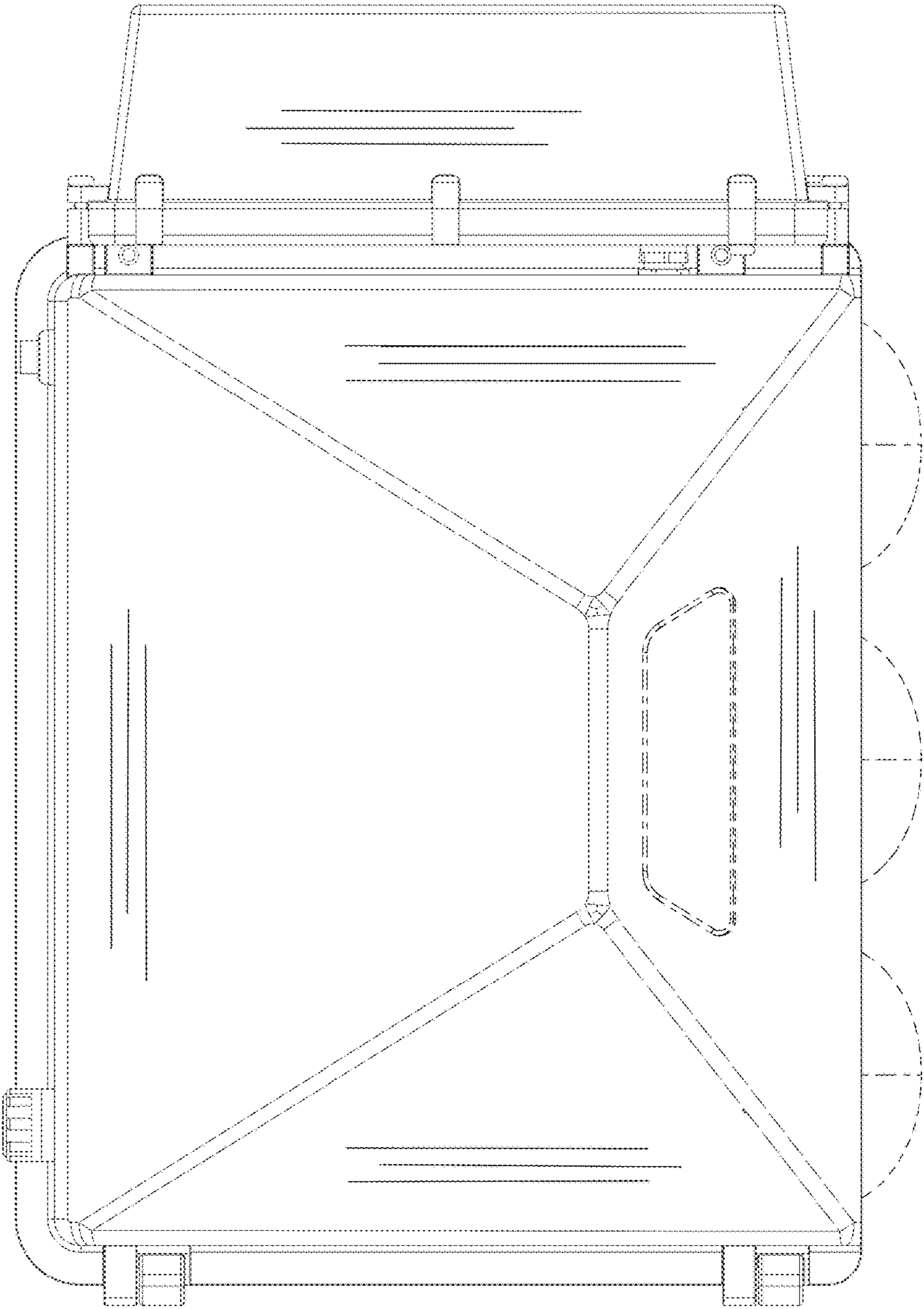


FIG. 4

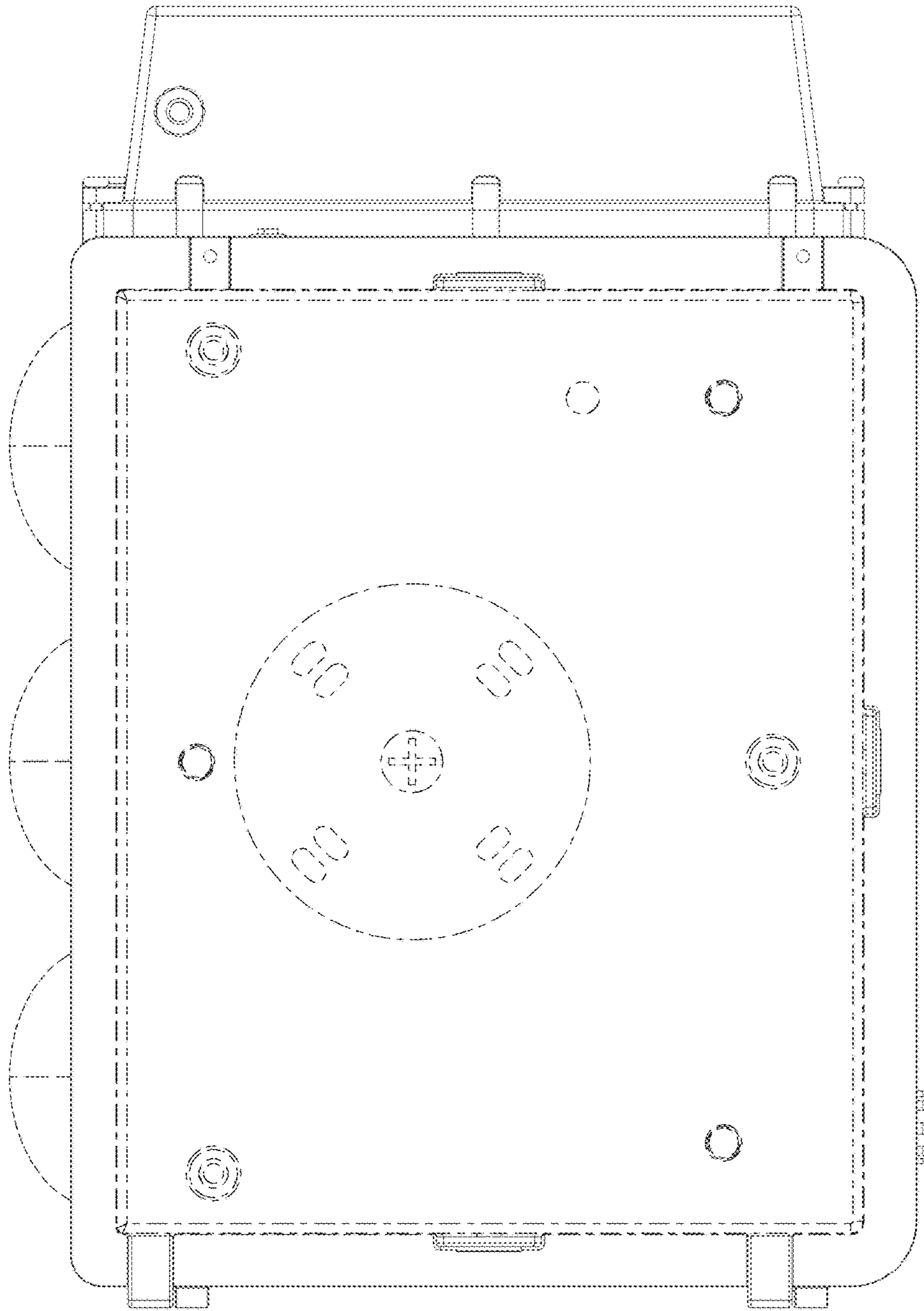


FIG. 5

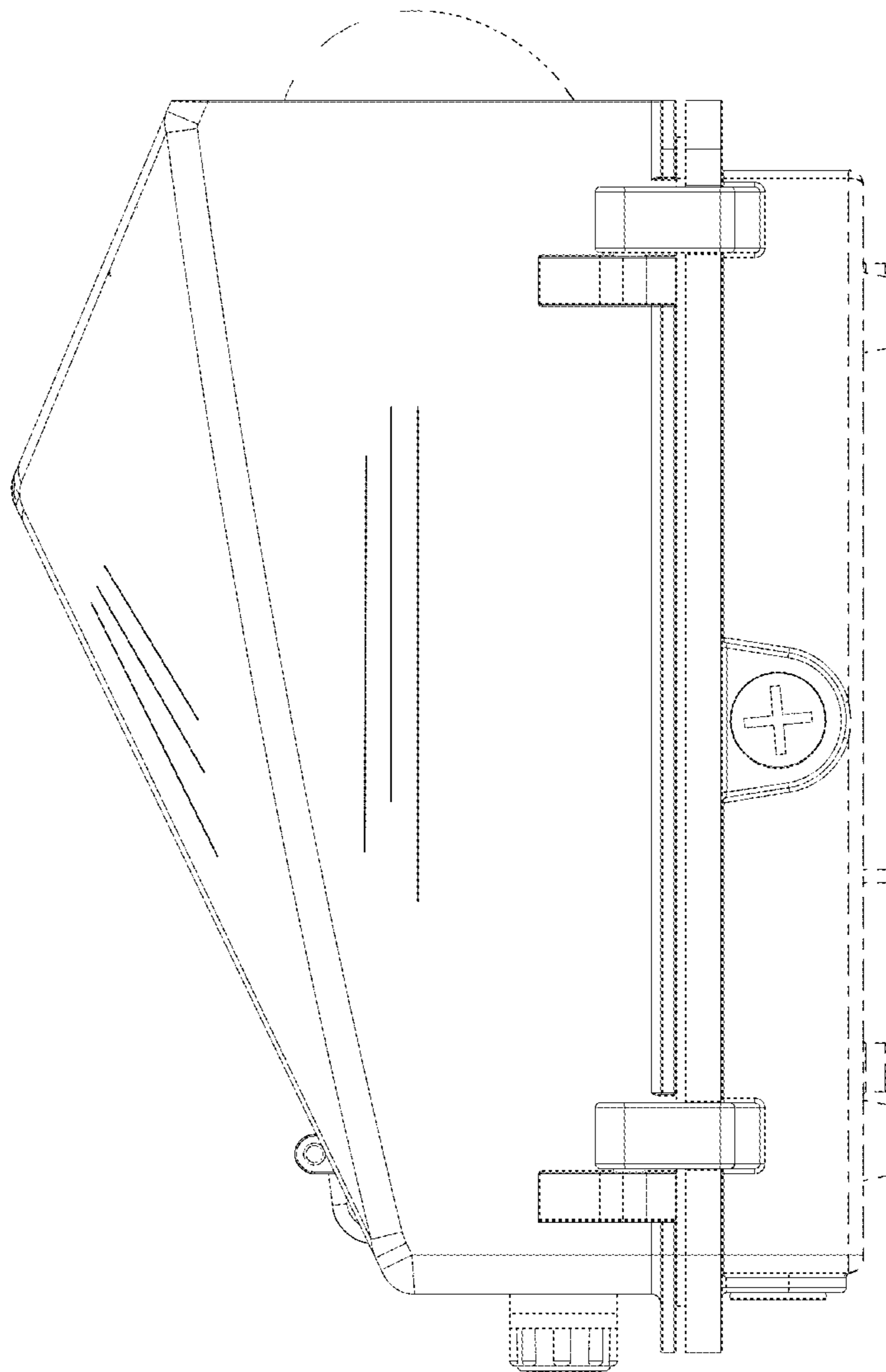


FIG. 6

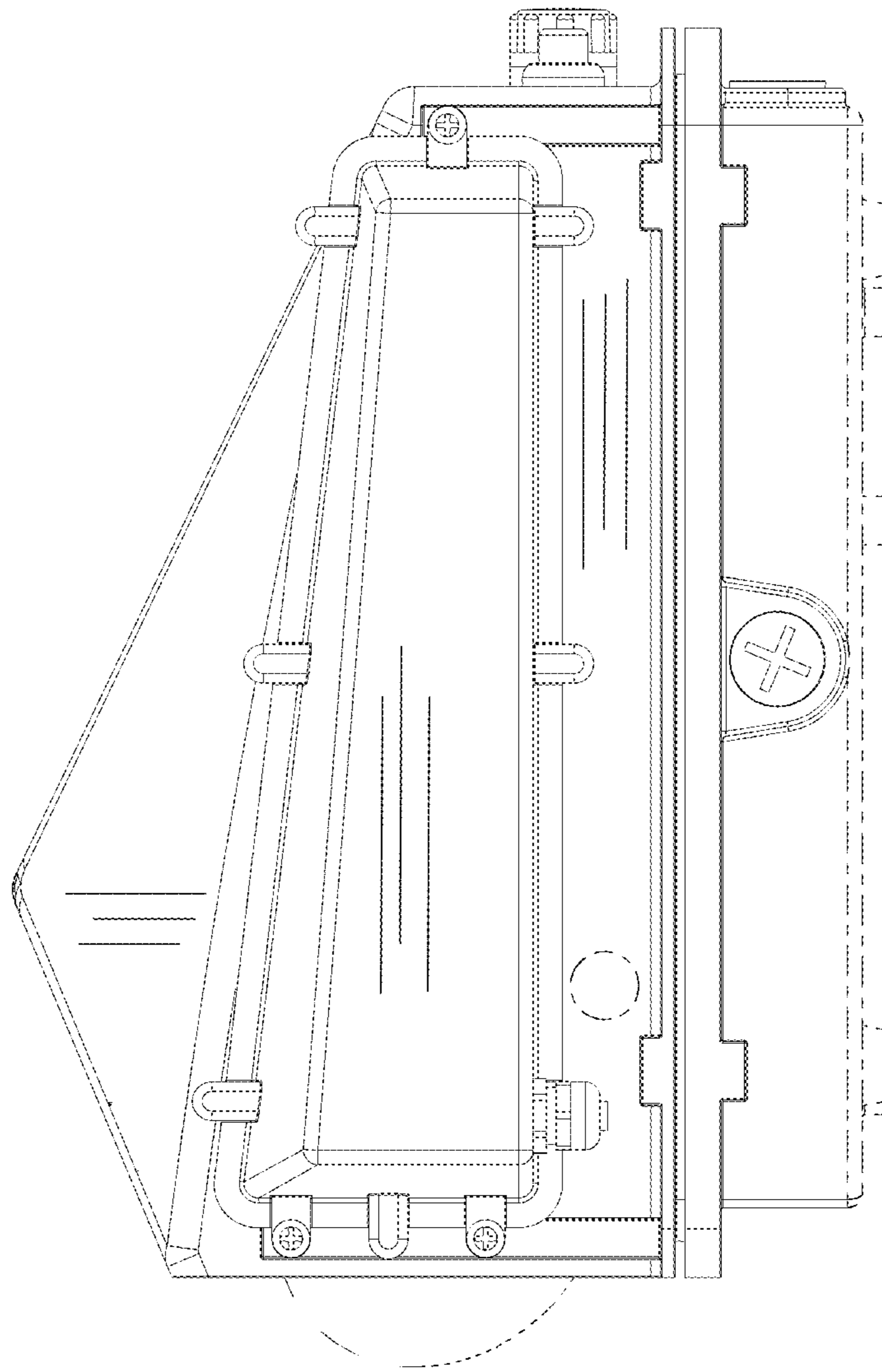


FIG. 7