



US00D857274S

(12) **United States Design Patent** (10) **Patent No.:** **US D857,274 S**  
**Bozzoli** (45) **Date of Patent:** **\*\* Aug. 20, 2019**

- (54) **CHANDELIER**
- (71) Applicant: **SLAMP S.P.A.**, Pomezia (RM) (IT)
- (72) Inventor: **Lorenza Bozzoli**, Milan (IT)
- (73) Assignee: **SLAMP S.P.A.**, Pomezia (RM) (IT)
- (\*\*) Term: **15 Years**
- (21) Appl. No.: **29/615,286**
- (22) Filed: **Aug. 28, 2017**

**Related U.S. Application Data**

- (62) Division of application No. 35/500,979, filed on Apr. 14, 2016 (U.S. filing date under 35 U.S.C. 384), and having an international filing date of Apr. 14, 2016, now Pat. No. Des. 827,906.

**Foreign Application Priority Data**

- Oct. 14, 2015 (WO) ..... DM/0087988
- (51) **LOC (12) Cl.** ..... **26-03**
- (52) **U.S. Cl.**  
USPC ..... **D26/81**
- (58) **Field of Classification Search**  
USPC ... D26/72, 73, 81, 84, 88, 90, 118, 127-137  
CPC .... F21S 8/03; F21S 8/033; F21S 8/036; F21S 8/04; F21S 8/043; F21S 8/046; F21S 8/06; F21S 8/061; F21S 8/063; F21S 8/065; F21S 8/068  
See application file for complete search history.

**References Cited**

**U.S. PATENT DOCUMENTS**

- D80,313 S \* 1/1930 Cepass ..... D26/80
- D81,845 S \* 8/1930 Poerner ..... D26/91
- D101,033 S \* 9/1936 Glatthar et al. .... D26/81
- D112,639 S 12/1938 Higgins

- 2,212,638 A 8/1940 Franke
- D163,478 S \* 5/1951 Godfrey ..... D26/81
- 3,212,713 A \* 10/1965 Chatten ..... B05B 17/08 239/17
- D235,914 S \* 7/1975 Schacht ..... D26/84
- D237,001 S \* 9/1975 Von Serda ..... D11/147
- D242,933 S \* 1/1977 Brubaker ..... 428/542.2
- D326,732 S \* 6/1992 Segill ..... D26/91
- D337,847 S 7/1993 Meck et al.
- D339,652 S \* 9/1993 Segill ..... D26/86
- D385,647 S 10/1997 Swanson
- D423,134 S 4/2000 Spitley
- D429,360 S \* 8/2000 Chelf ..... D26/86
- D433,176 S 10/2000 Barry
- D445,529 S \* 7/2001 Orozco ..... D26/86
- D472,008 S \* 3/2003 Gulassa ..... D26/90
- D495,880 S \* 9/2004 Warren, III ..... D3/313
- D507,374 S 7/2005 Chen
- D509,019 S 8/2005 Castro et al.
- D539,962 S \* 4/2007 Hsu ..... D26/81
- D567,436 S 4/2008 Bentivoglio et al.

(Continued)

**OTHER PUBLICATIONS**

Office Action dated Oct. 2, 2018 in corresponding U.S. Appl. No. 29/615,279.

(Continued)

*Primary Examiner* — Darlington Ly  
(74) *Attorney, Agent, or Firm* — Maier & Maier, PLLC

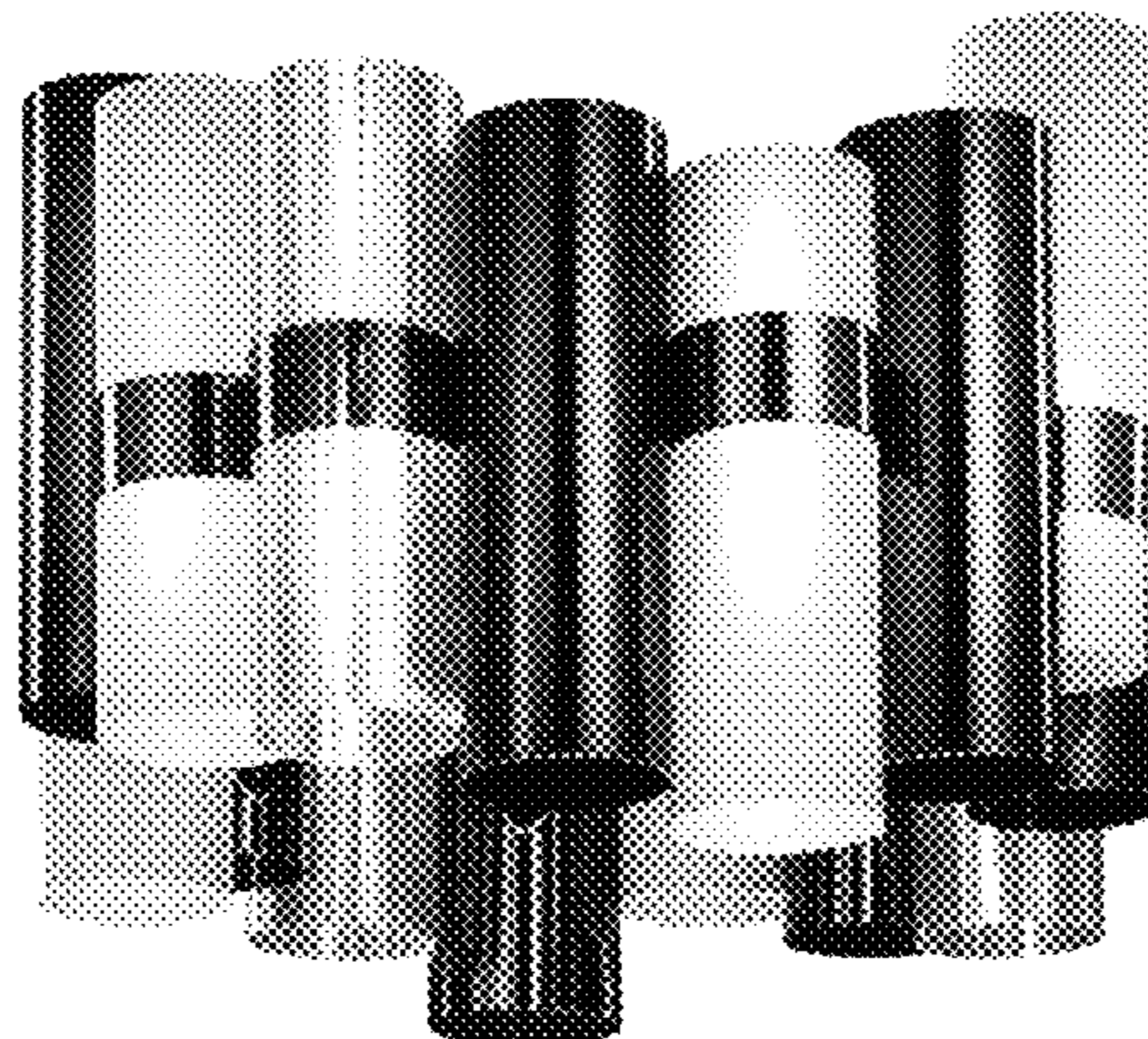
(57) **CLAIM**

The ornamental design for a chandelier, as shown and described.

**DESCRIPTION**

FIG. 1 is a front perspective view of a chandelier showing my new design;  
FIG. 2 is a front elevation view thereof; and,  
FIG. 3 is a top perspective view thereof.

**1 Claim, 3 Drawing Sheets**



(56)

References Cited

U.S. PATENT DOCUMENTS

D574,545 S 8/2008 Baldele  
 D578,701 S \* 10/2008 Schuyler ..... D26/144  
 D579,603 S 10/2008 Dordoni  
 D590,091 S 4/2009 Starck  
 D590,093 S 4/2009 Starck  
 D596,332 S 7/2009 Diller et al.  
 D600,396 S 9/2009 Luinstra  
 D601,743 S 10/2009 Sabernig  
 D604,451 S 11/2009 Smith  
 D605,810 S \* 12/2009 Rugee ..... D26/84  
 D607,136 S \* 12/2009 Chen ..... D26/81  
 D611,185 S 3/2010 Jourdan  
 D614,797 S 4/2010 Sabernig  
 D620,636 S 7/2010 Holder  
 D622,893 S 8/2010 Nadell  
 D632,825 S 2/2011 Sabernig  
 D649,278 S 11/2011 Sabernig  
 D649,279 S 11/2011 Sabernig  
 D649,280 S 11/2011 Sabernig  
 D649,281 S 11/2011 Sabernig  
 D650,509 S 12/2011 Wegger et al.  
 D659,887 S 5/2012 Holder  
 D660,594 S \* 5/2012 Hawkins ..... D3/313  
 D664,280 S 7/2012 Campbell  
 D664,282 S 7/2012 Santoro et al.  
 D664,283 S 7/2012 Sofield  
 D665,121 S \* 8/2012 Smith ..... D26/128  
 D679,850 S 4/2013 Smith et al.  
 D679,851 S 4/2013 Smith  
 D679,852 S 4/2013 Smith  
 D680,675 S 4/2013 Coury  
 D681,252 S 4/2013 Graham  
 D681,257 S 4/2013 Van Strander  
 D683,885 S 6/2013 Kim et al.  
 D683,886 S 6/2013 Kim et al.  
 D693,957 S 11/2013 Laviani  
 D696,450 S 12/2013 Coury  
 D697,252 S 1/2014 Baylar  
 D698,073 S 1/2014 Duquette et al.  
 D698,982 S 2/2014 Scatena  
 D700,391 S \* 2/2014 Sabernig ..... D26/84  
 D700,734 S 3/2014 Chan  
 D700,936 S \* 3/2014 Parker ..... D19/85  
 D700,988 S 3/2014 Koho  
 D703,365 S 4/2014 Martin  
 D703,366 S 4/2014 Crosby  
 D703,860 S 4/2014 Crosby  
 D704,881 S 5/2014 Johnson  
 D706,065 S 6/2014 Wilson et al.  
 D719,292 S \* 12/2014 Voss ..... D26/118

D719,293 S \* 12/2014 Voss ..... D26/118  
 D720,493 S 12/2014 Salvadori  
 D727,554 S 4/2015 Clark et al.  
 D727,556 S 4/2015 Arslan  
 D730,562 S 5/2015 Blackman  
 D740,479 S 10/2015 Beno et al.  
 D741,537 S 10/2015 Bakker  
 D743,091 S 11/2015 Degrandis et al.  
 D746,505 S 12/2015 Sabernig  
 D746,506 S 12/2015 Grasser  
 D751,237 S 3/2016 Ferrier et al.  
 D774,684 S 12/2016 Velez et al.  
 D776,856 S 1/2017 Arbel et al.  
 D777,364 S \* 1/2017 Taillard ..... D26/83  
 D777,365 S 1/2017 Goorsenberg  
 D780,369 S 2/2017 Anastasiades  
 D782,723 S 3/2017 Martin  
 D783,878 S 4/2017 Lava  
 D784,595 S 4/2017 Amato et al.  
 D786,479 S \* 5/2017 Dolan ..... D26/81  
 D786,480 S \* 5/2017 Dolan ..... D26/81  
 D786,481 S \* 5/2017 Wiedemer ..... D26/81  
 D786,483 S 5/2017 Sonneman  
 D790,104 S 6/2017 Micheli  
 D791,387 S 7/2017 Sonneman  
 D792,632 S 7/2017 Amato et al.  
 D793,605 S \* 8/2017 Cartwright ..... D26/81  
 D798,487 S 9/2017 Thompson  
 D801,572 S 10/2017 Starck  
 D804,701 S \* 12/2017 Hendifar ..... D26/88  
 D804,702 S \* 12/2017 Miller ..... D26/88  
 D805,677 S 12/2017 Starck  
 D812,802 S 3/2018 Garrett et al.  
 D819,874 S 6/2018 Lee et al.  
 D821,632 S 6/2018 Morosin  
 D825,095 S 8/2018 Wu  
 D825,819 S 8/2018 Sonneman  
 D826,462 S 8/2018 Sonneman  
 D827,188 S 8/2018 Sonneman

OTHER PUBLICATIONS

Office Action dated Oct. 2, 2018 in corresponding U.S. Appl. No. 29/615,280.  
 Office Action dated Oct. 4, 2018 in corresponding U.S. Appl. No. 29/615,281.  
 Office Action dated Oct. 4, 2018 in corresponding U.S. Appl. No. 29/615,285.  
 Office Action dated Nov. 29, 2018 in corresponding U.S. Appl. No. 29/615,288.

\* cited by examiner

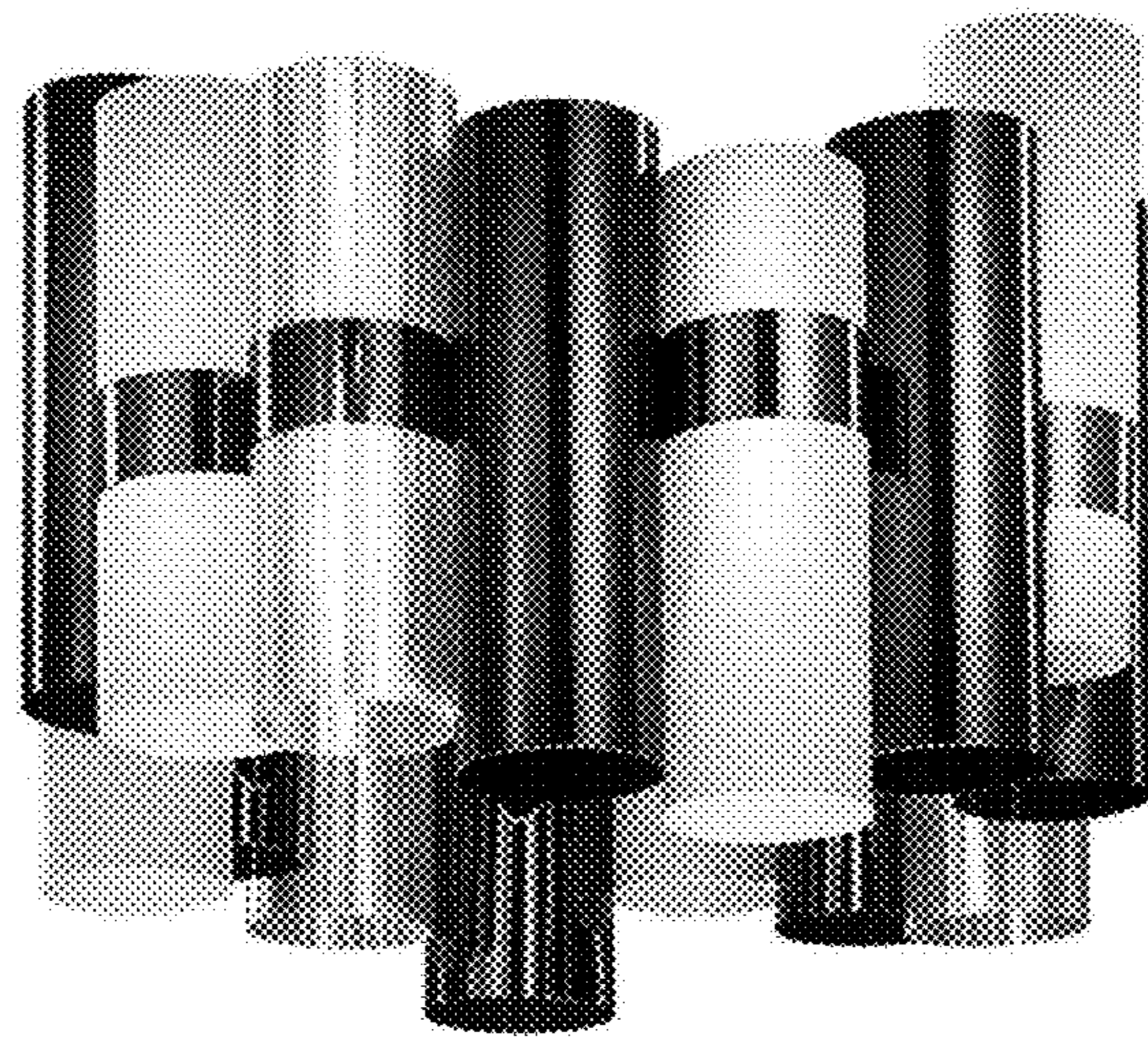


FIG. 1

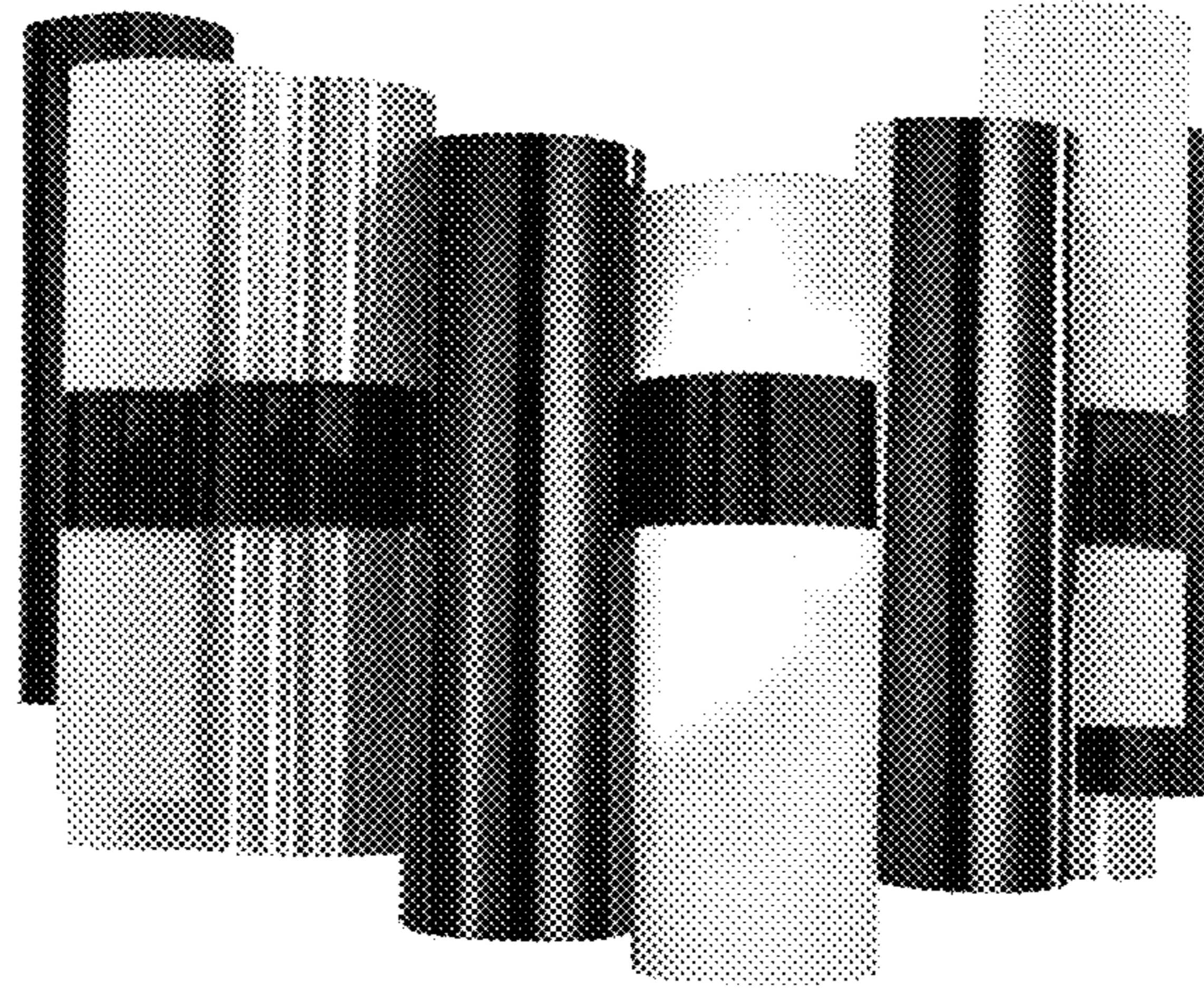


FIG. 2



FIG. 3