



US00D857271S

(12) **United States Design Patent** (10) **Patent No.:** **US D857,271 S**
Farzan (45) **Date of Patent:** **** Aug. 20, 2019**

(54) **RECESSED LIGHTING FIXTURE**
(71) Applicant: **NORA LIGHTING, INC.**, Commerce, CA (US)
(72) Inventor: **Fred Farzan**, Beverly Hills, CA (US)
(73) Assignee: **Nora Lighting, Inc.**, Commerce, CA (US)

D789,938 S * 6/2017 Lee D14/447
9,671,091 B2 6/2017 Jones
D791,382 S * 7/2017 Holscher D26/74
D791,996 S * 7/2017 Holscher D26/74
9,726,354 B1 8/2017 Delano et al.
2008/0112171 A1* 5/2008 Patti F21V 19/02
2009/0290343 A1 11/2009 Brown
2010/0149822 A1 6/2010 Cogliano
(Continued)

(**) Term: **15 Years**
(21) Appl. No.: **29/613,981**

(22) Filed: **Aug. 15, 2017**
(51) **LOC (12) Cl.** **26-05**
(52) **U.S. Cl.**
USPC **D26/74**
(58) **Field of Classification Search**
USPC D26/72, 74, 79, 85, 88, 89
CPC F21S 8/00; F21S 8/02; F21S 8/026; F21V 21/04; F21V 21/042; F21V 21/044; F21V 21/047; F21V 29/00; F21V 29/74; F21V 29/75; F21V 29/76; F21V 19/02
See application file for complete search history.

(56) **References Cited**
U.S. PATENT DOCUMENTS
5,957,574 A * 9/1999 Hentz F21S 8/02 248/302
6,089,732 A * 7/2000 Wright F21S 8/02 362/147
6,123,438 A * 9/2000 Hentz F21S 8/02 362/148
6,838,618 B2* 1/2005 Newbold F21S 8/02 174/17 VA
7,478,931 B2 1/2009 Miletich
D596,330 S * 7/2009 Pickard D26/74
7,654,495 B2* 2/2010 Adrian F04D 25/088 248/200.1
D624,688 S * 9/2010 Johnson D26/74

OTHER PUBLICATIONS

U.S. Appl. No. 15/865,981 Non-Final Office Action dated Mar. 8, 2018.

Primary Examiner — Cathron C Brooks
(74) *Attorney, Agent, or Firm* — K&L Gates LLP

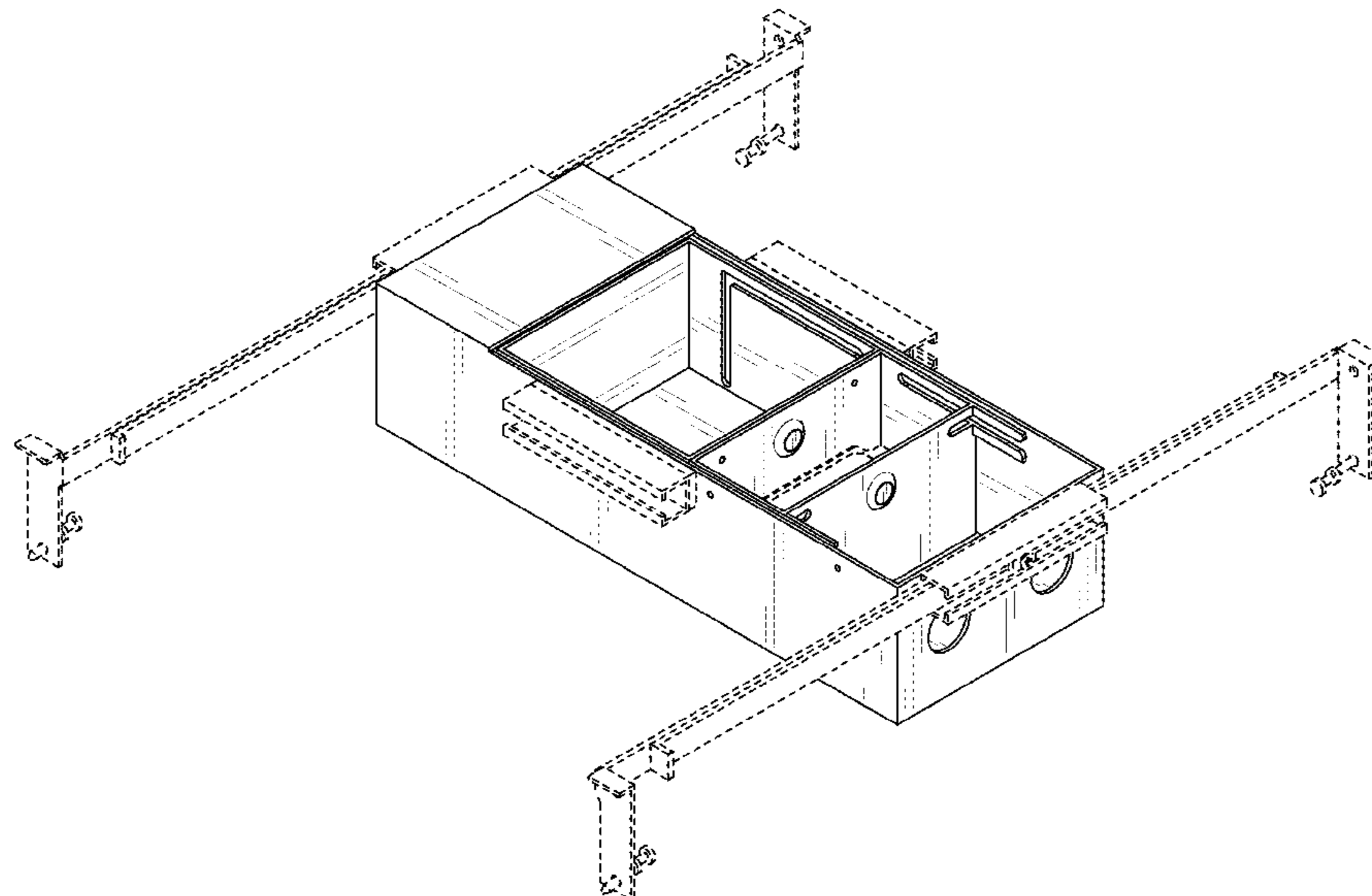
(57) **CLAIM**

The ornamental design for a recessed lighting fixture, as shown and described herein.

DESCRIPTION

FIG. 1 illustrates a perspective view of a recessed lighting fixture, without a light trim piece, that has separate but connected light and driver assemblies that are independently vertically adjustable.
FIG. 2 illustrates a left-side view of the recessed lighting fixture.
FIG. 3 illustrates a right-side view of the recessed lighting fixture.
FIG. 4 illustrates a front view of the recessed lighting fixture.
FIG. 5 illustrates a rear view of the recessed lighting fixture.
FIG. 6 illustrates a top-plan view of the recessed lighting fixture; and,
FIG. 7 illustrates a bottom-up view of the recessed lighting fixture.
In the drawings, the broken lines depict environmental subject matter only and form no part of the claimed design.

1 Claim, 7 Drawing Sheets



(56)

References Cited

U.S. PATENT DOCUMENTS

2012/0320577 A1 12/2012 Wang
2016/0327251 A1* 11/2016 Clark F21V 19/02
2017/0307188 A1 10/2017 Oudina et al.

* cited by examiner

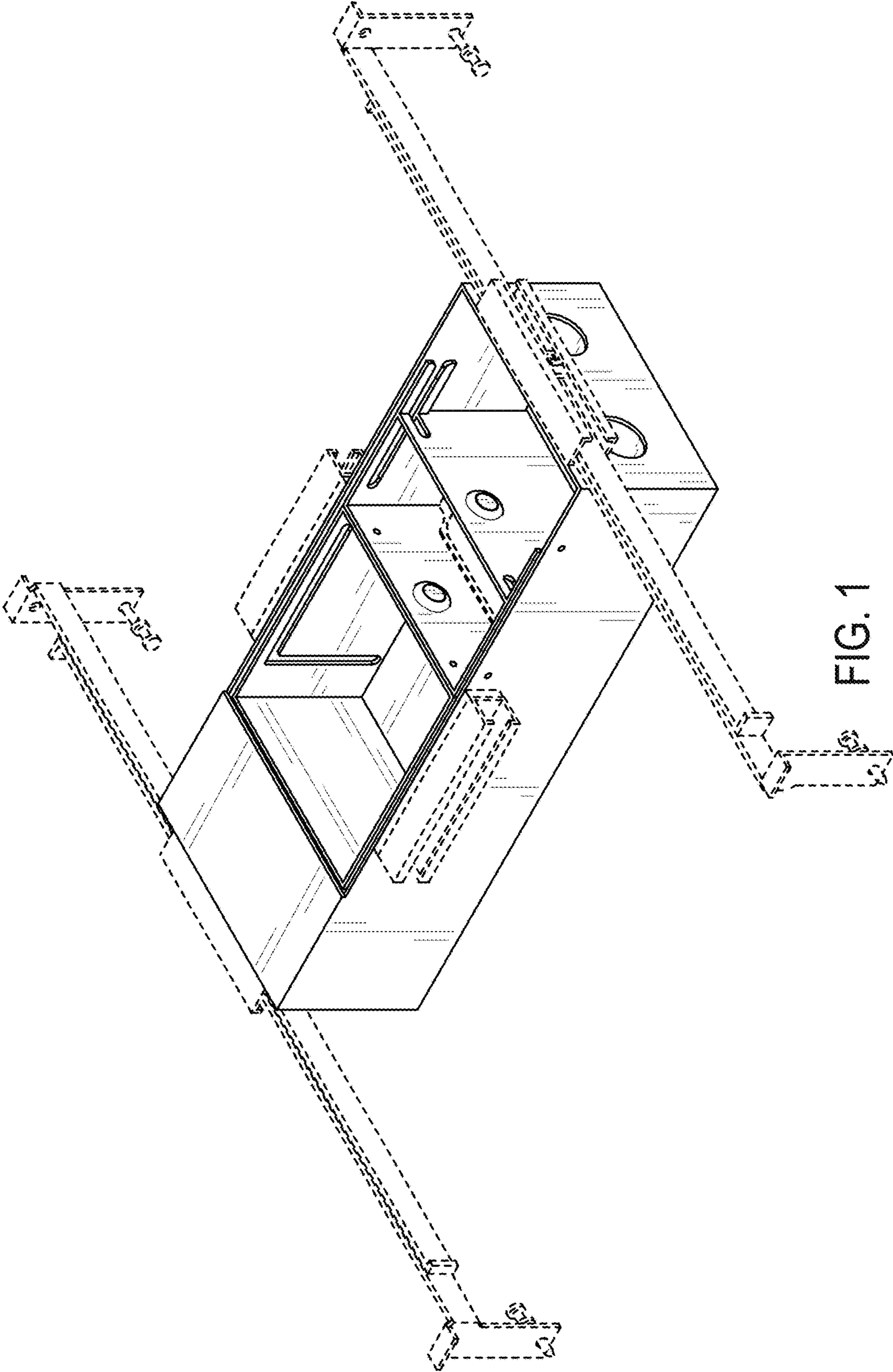


FIG. 1

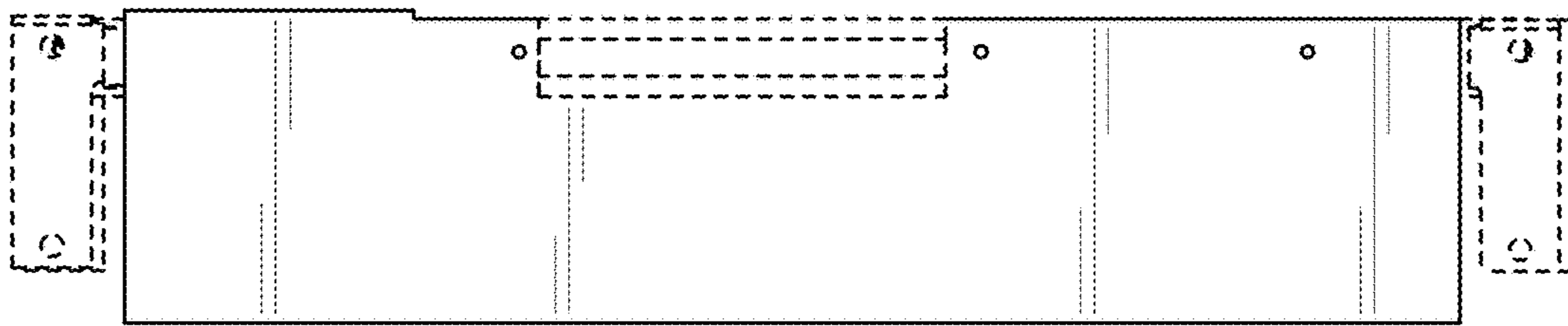


FIG. 2

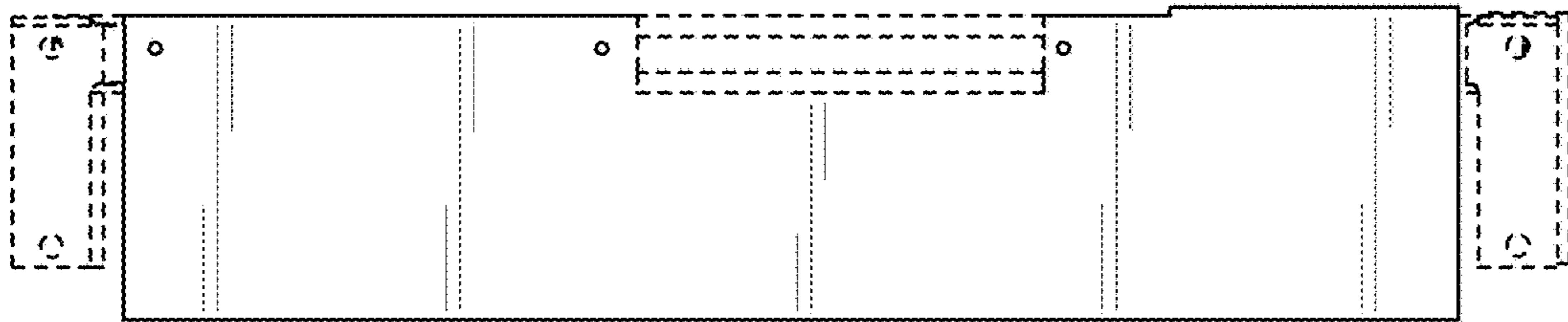


FIG. 3

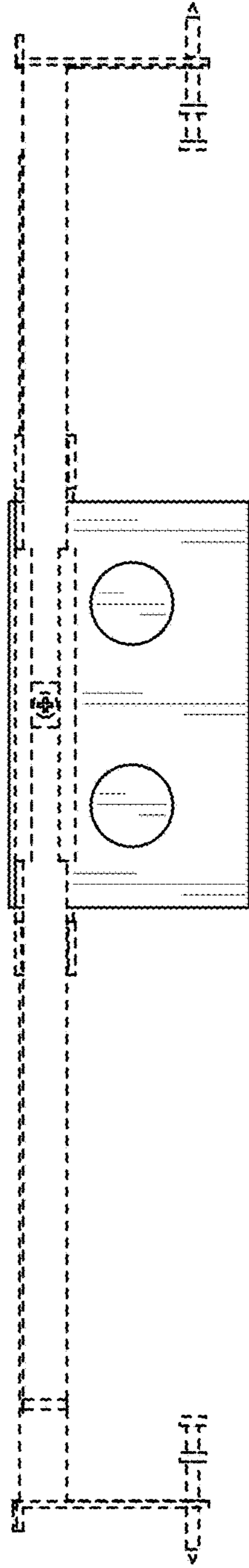


FIG. 4

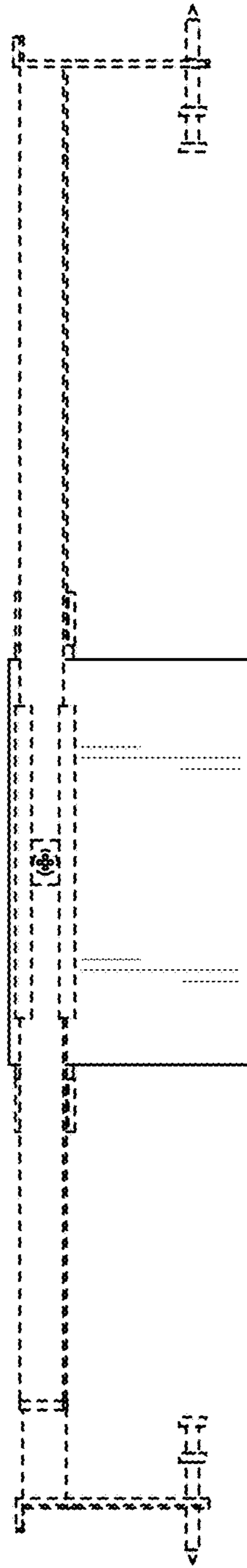


FIG. 5

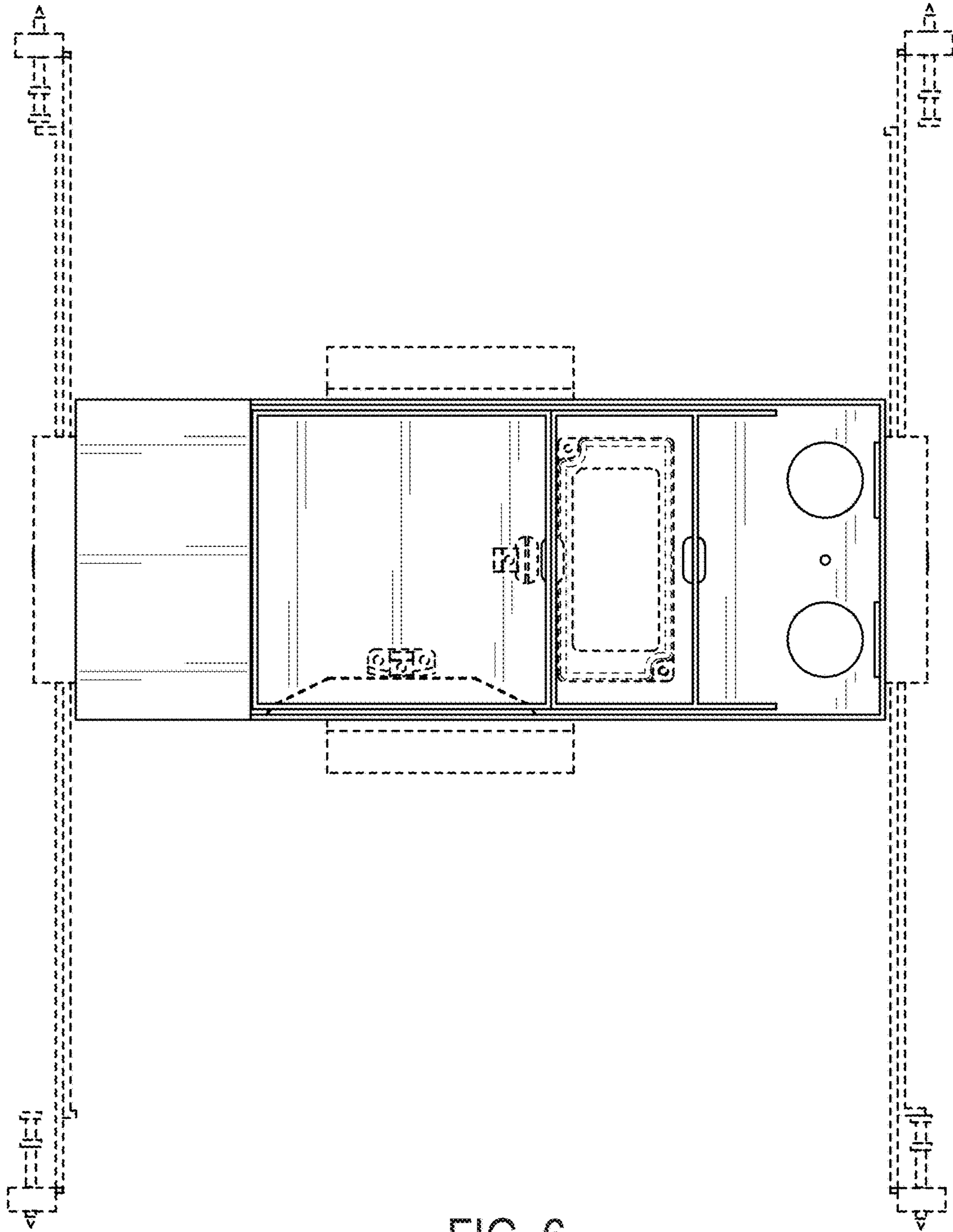


FIG. 6

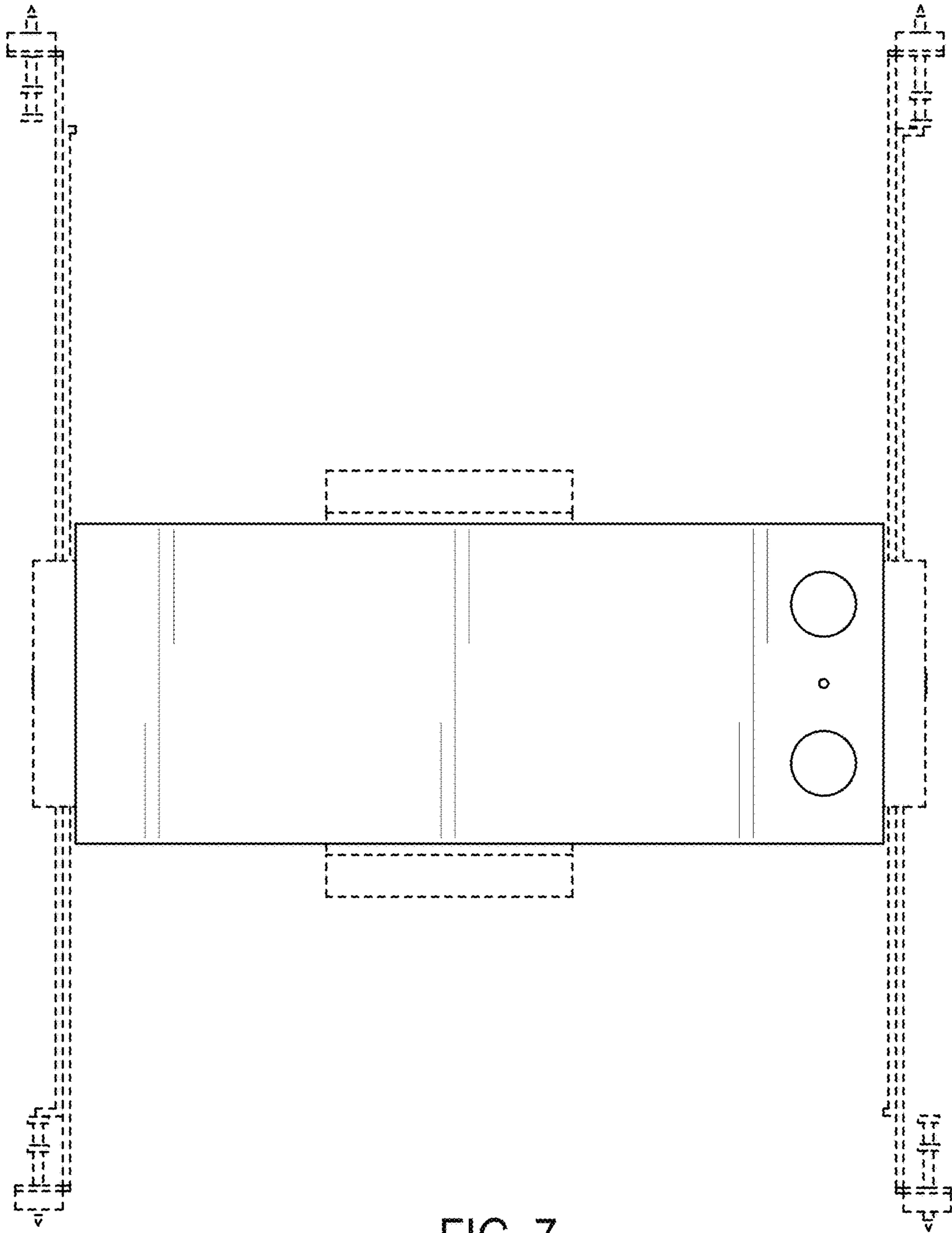


FIG. 7