



US00D857270S

(12) **United States Design Patent** (10) **Patent No.:** **US D857,270 S**
Recker et al. (45) **Date of Patent:** **** Aug. 20, 2019**

(54) **SPOTLIGHT**
(71) Applicant: **A9.com, Inc.**, Palo Alto, CA (US)
(72) Inventors: **Michael V. Recker**, Gaithersburg, MD (US); **David B. Levine**, Pepper Pike, OH (US); **Ryan D. Hruska**, North Royalton, OH (US)
(73) Assignee: **A9.Com, Inc.**, Palo Alto, CA (US)

D729,965 S * 5/2015 Recker D26/63
D767,192 S * 9/2016 Cai D26/63
D806,298 S * 12/2017 Recker D26/63
D812,280 S * 3/2018 Lechtenberg D26/63

FOREIGN PATENT DOCUMENTS

TW D147094 5/2012
TW D171335 10/2015

OTHER PUBLICATIONS

Korean Office Action dated Oct. 1, 2018 for Korean design application No. 30-2018-0003426, a counterpart foreign application of design U.S. Appl. No. 29/611,128, 4 pages.

* cited by examiner

Primary Examiner — Brian N. Vinson
(74) *Attorney, Agent, or Firm* — Lee & Hayes, P.C.

(**) Term: **15 Years**
(21) Appl. No.: **29/611,128**

(22) Filed: **Jul. 19, 2017**

(51) **LOC (12) Cl.** **26-03**
(52) **U.S. Cl.**
USPC **D26/63**

(58) **Field of Classification Search**
USPC D26/24, 60–65, 93
CPC F21S 8/00; F21S 8/02; F21S 8/003; F21S 8/026; F21S 8/03; F21S 8/038; F21S 8/04; F21S 8/043; F21S 6/00; F21V 5/046; F21V 5/04; F21V 1/00; F21V 5/00; F21V 21/02; F21V 15/01
See application file for complete search history.

(57) **CLAIM**

The ornamental design for a spotlight, as shown and described.

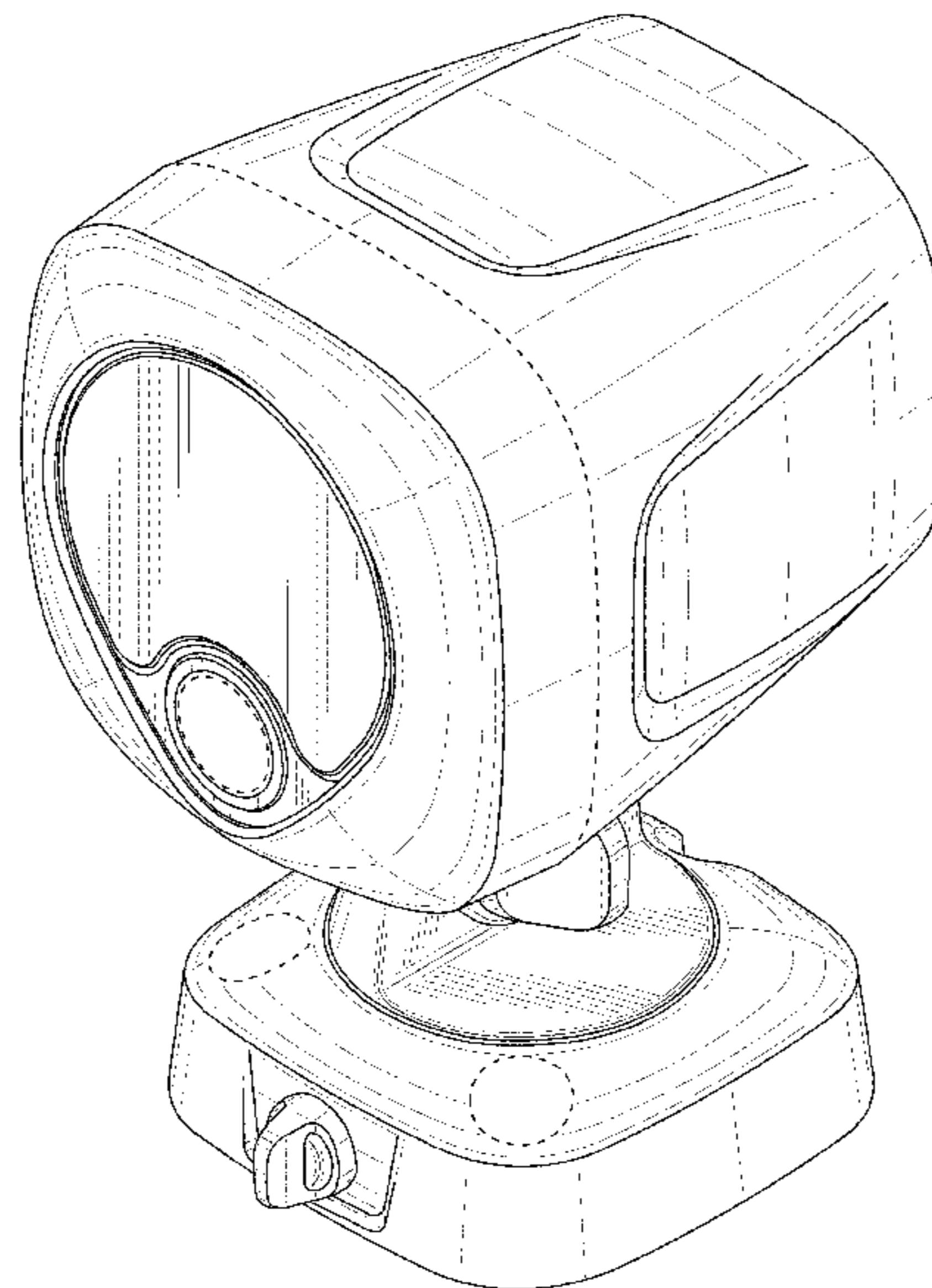
DESCRIPTION

FIG. 1 is a front, right, top perspective view of a spotlight showing our new design;
FIG. 2 is a rear, left, bottom perspective view thereof;
FIG. 3 is a front elevation view thereof;
FIG. 4 is a rear elevation view thereof;
FIG. 5 is a left side view thereof;
FIG. 6 is a right side view thereof;
FIG. 7 is a top plan view thereof; and,
FIG. 8 is a bottom plan view thereof.
The broken lines shown in the drawings depict portions of the spotlight that form no part of the claimed design.

(56) **References Cited**
U.S. PATENT DOCUMENTS

D242,945 S * 1/1977 Moore D26/65
D316,303 S * 4/1991 Layne D26/63
D335,193 S * 4/1993 Shaanan D26/63
D346,234 S * 4/1994 Sammis D26/63
D407,518 S * 3/1999 Yeh D26/63
D427,696 S * 7/2000 Scott D26/63
D562,486 S * 2/2008 Luke D26/61
D564,688 S 3/2008 Korpi
D642,717 S 8/2011 Lindholm et al.
D715,474 S * 10/2014 Janos D26/63

1 Claim, 8 Drawing Sheets



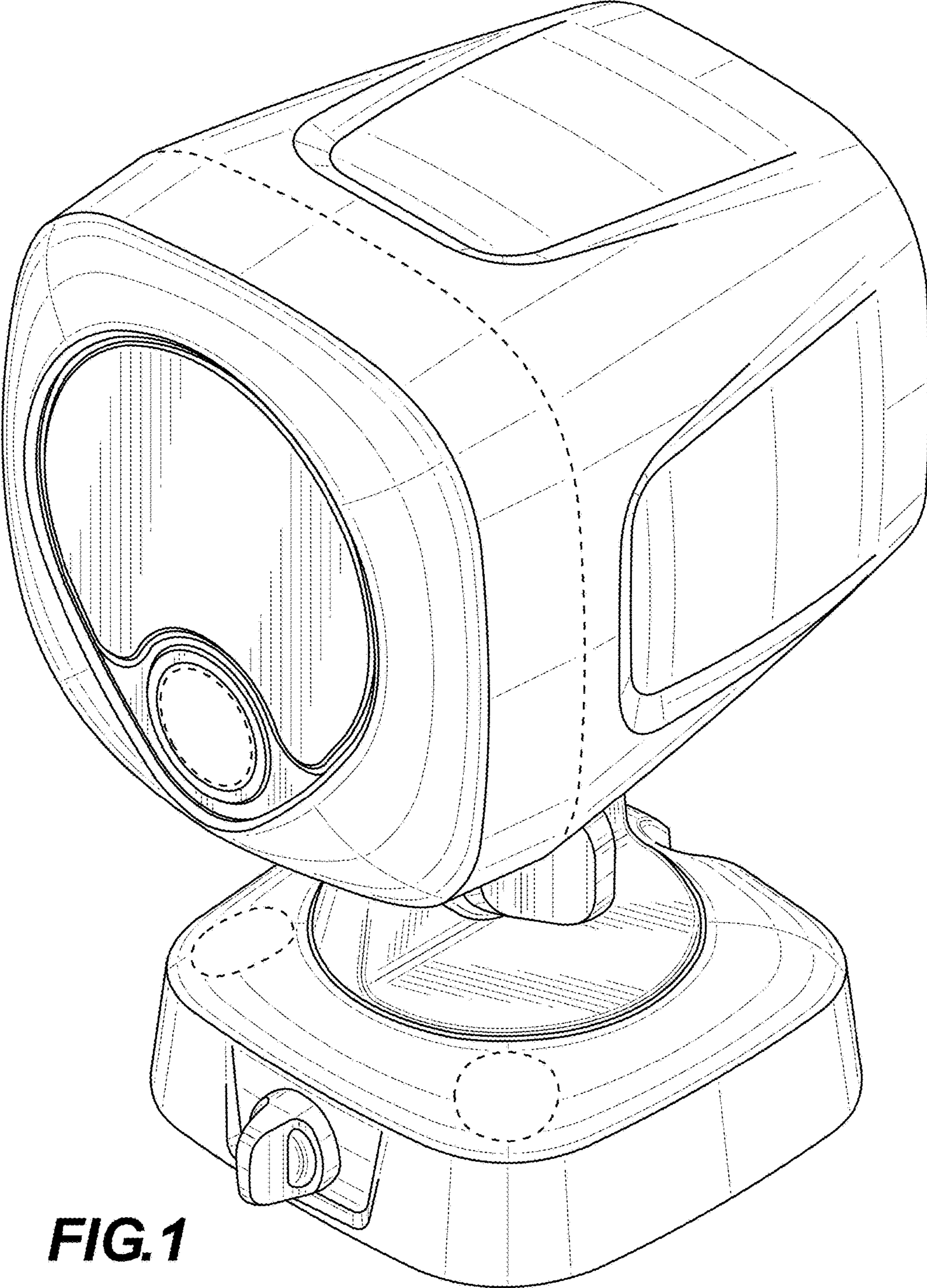


FIG.1

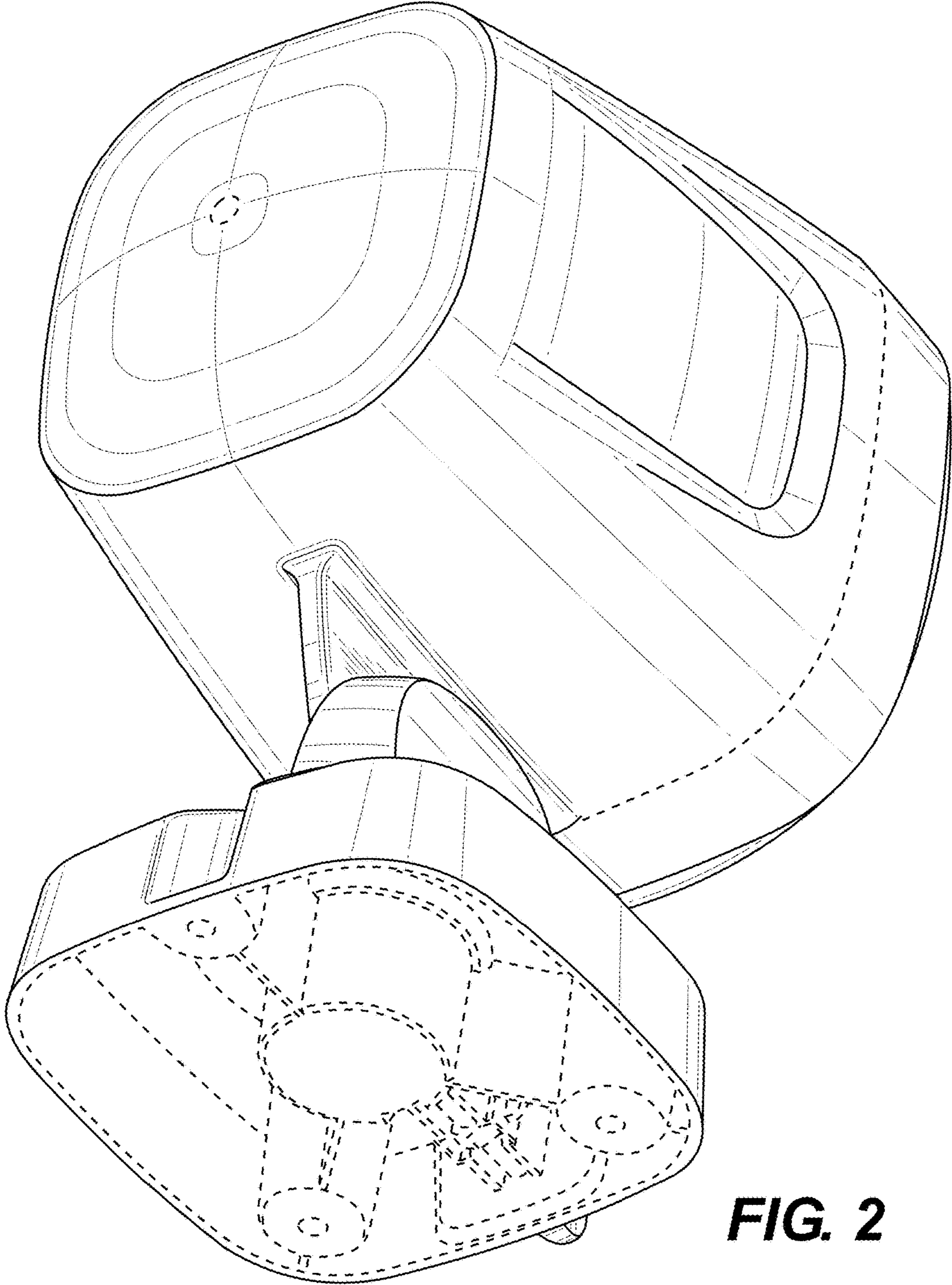


FIG. 2

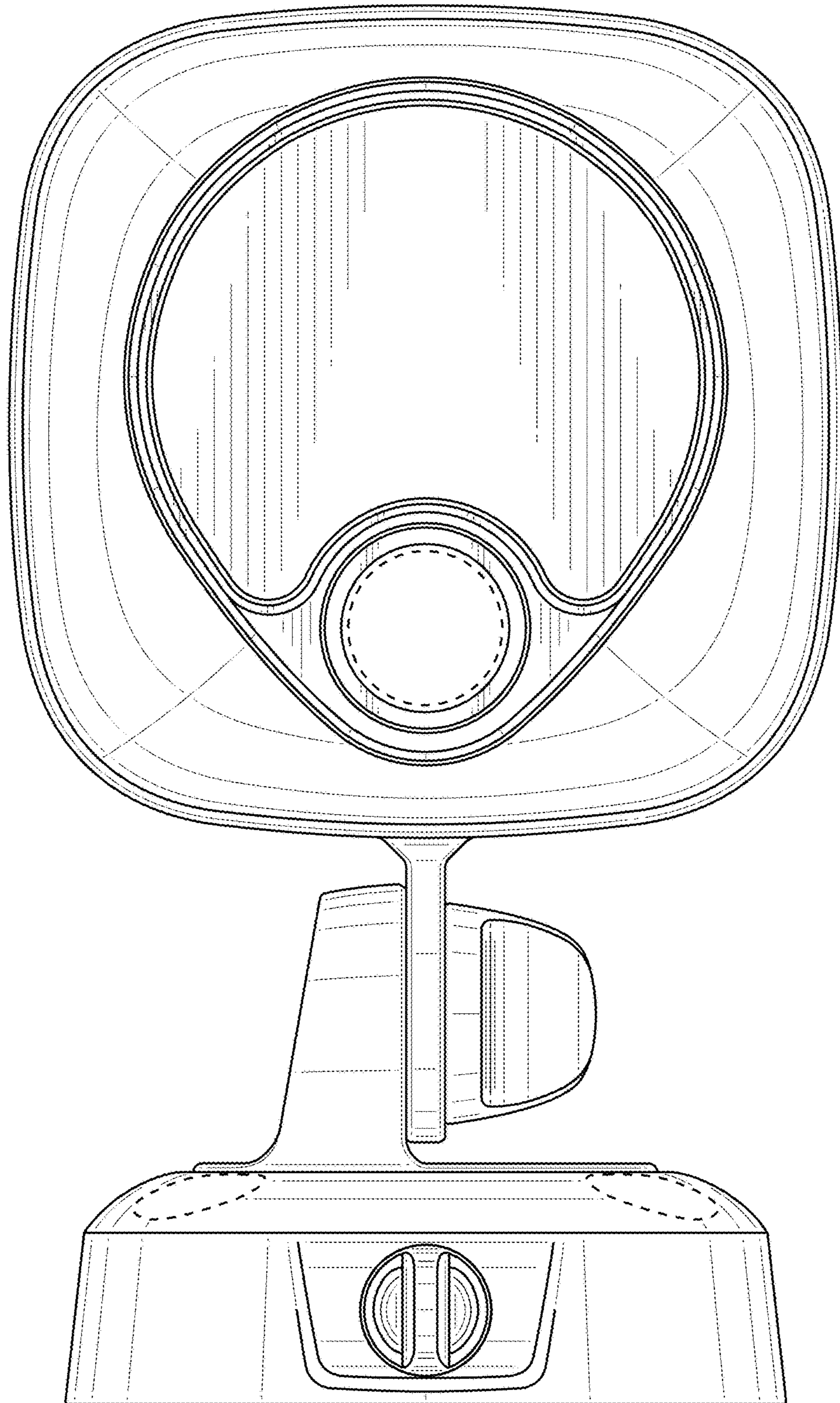


FIG. 3

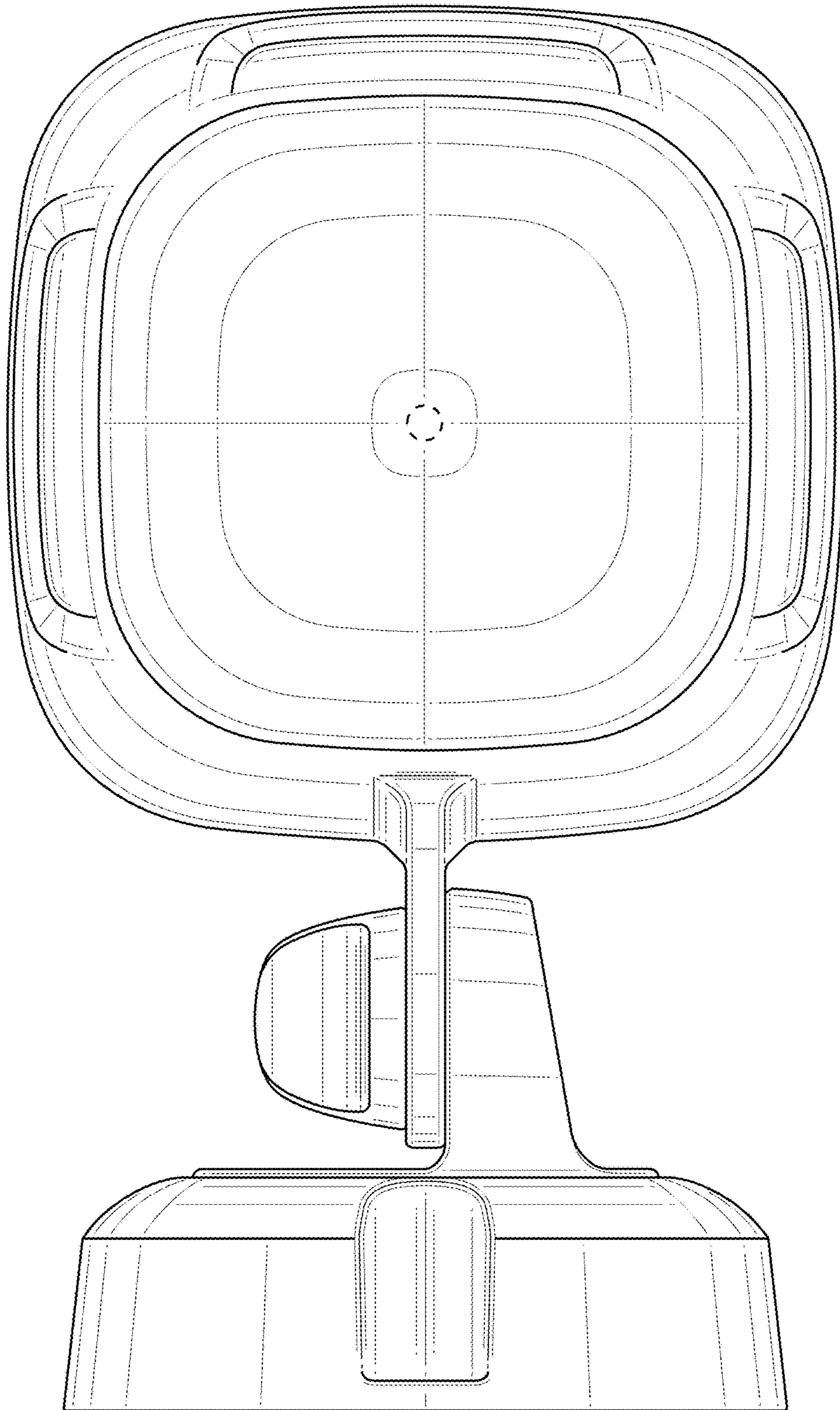


FIG. 4

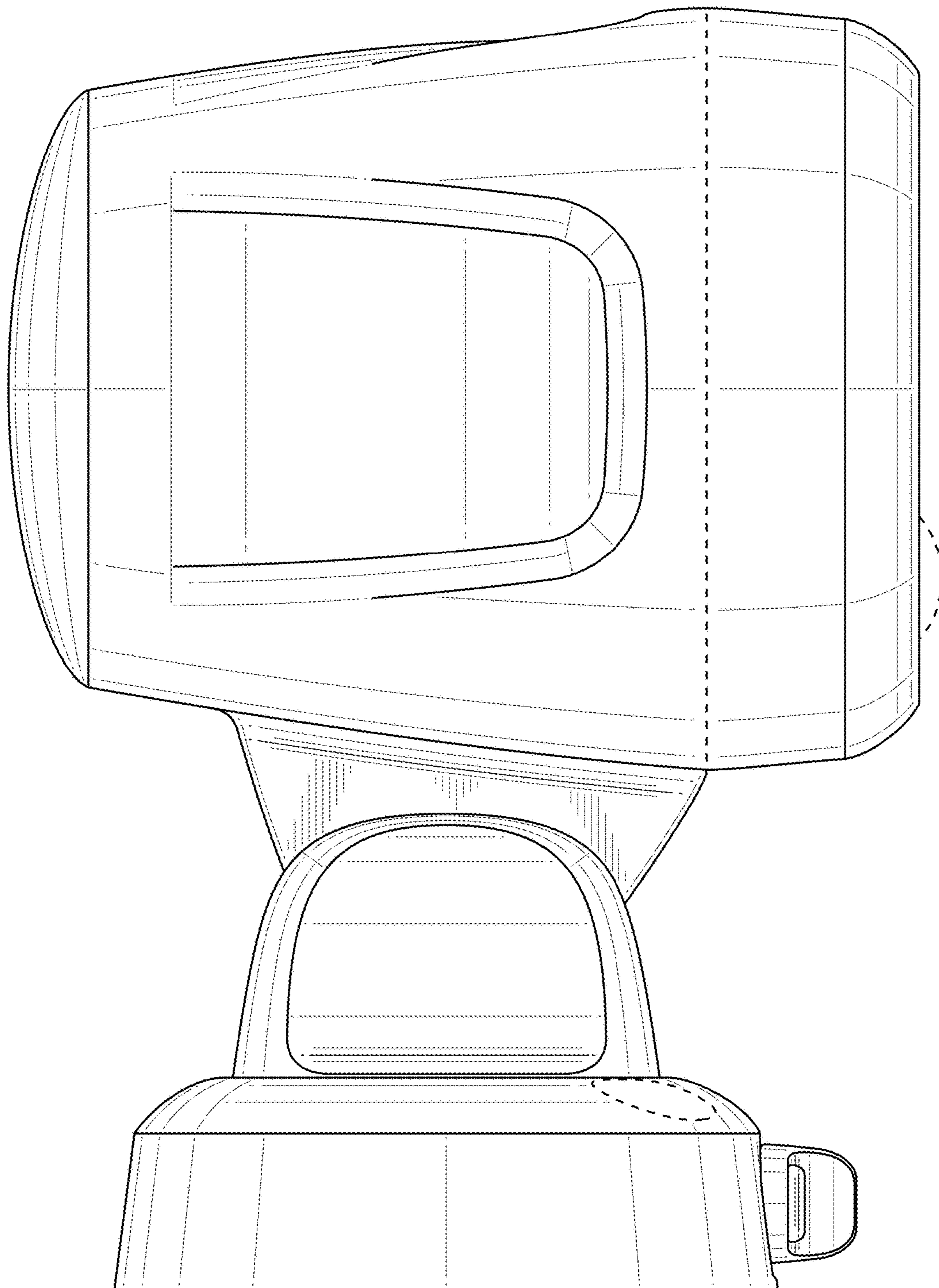


FIG. 5

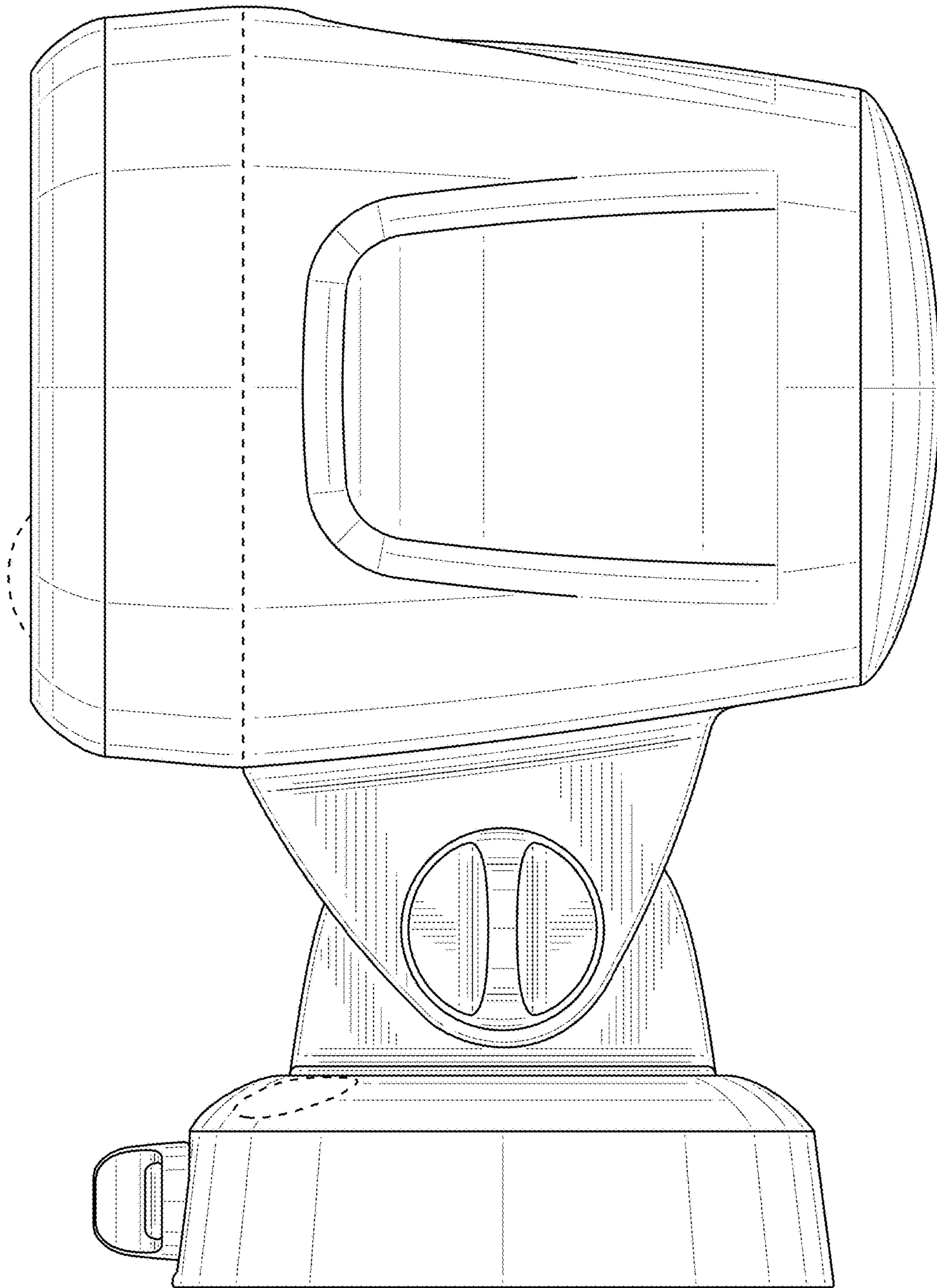


FIG. 6

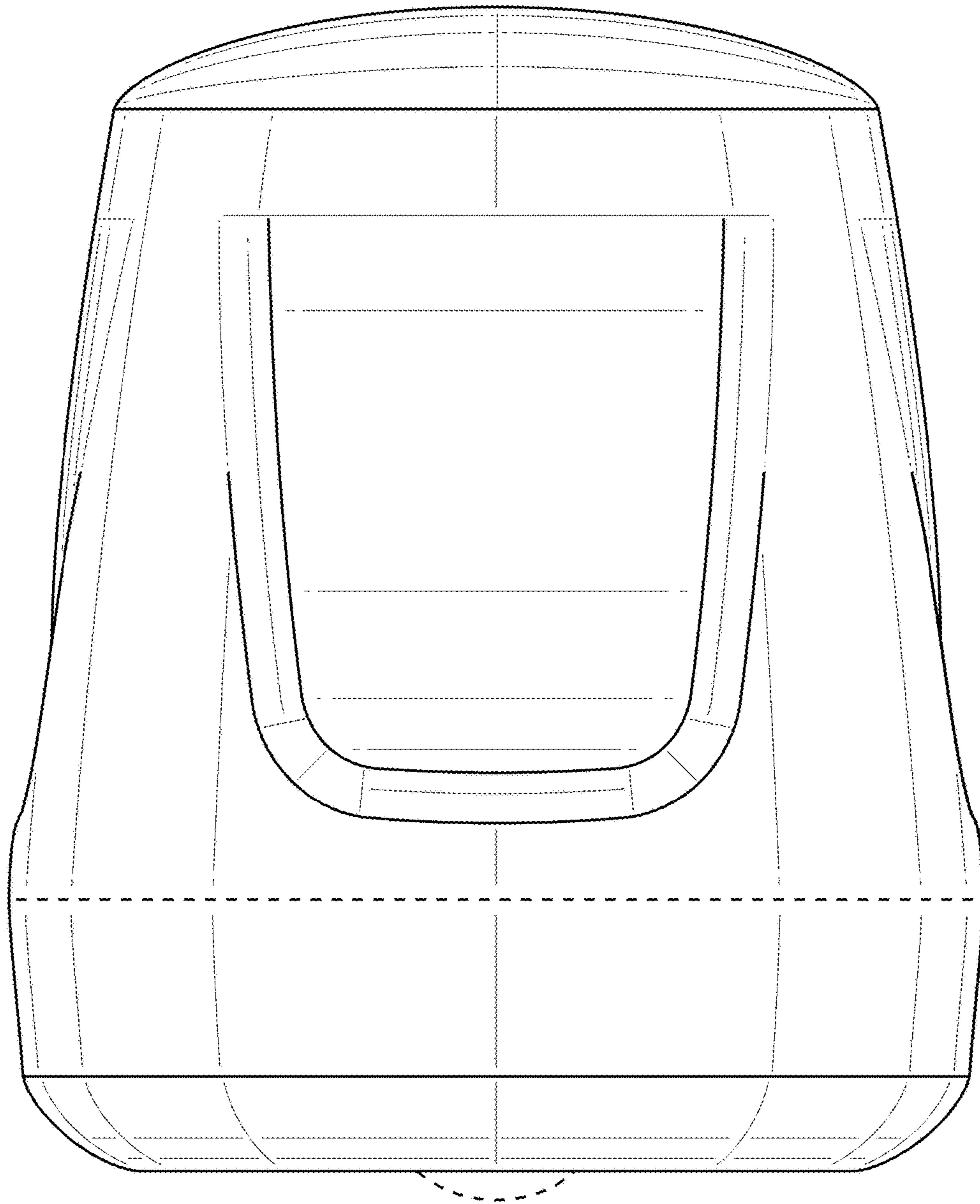


FIG. 7

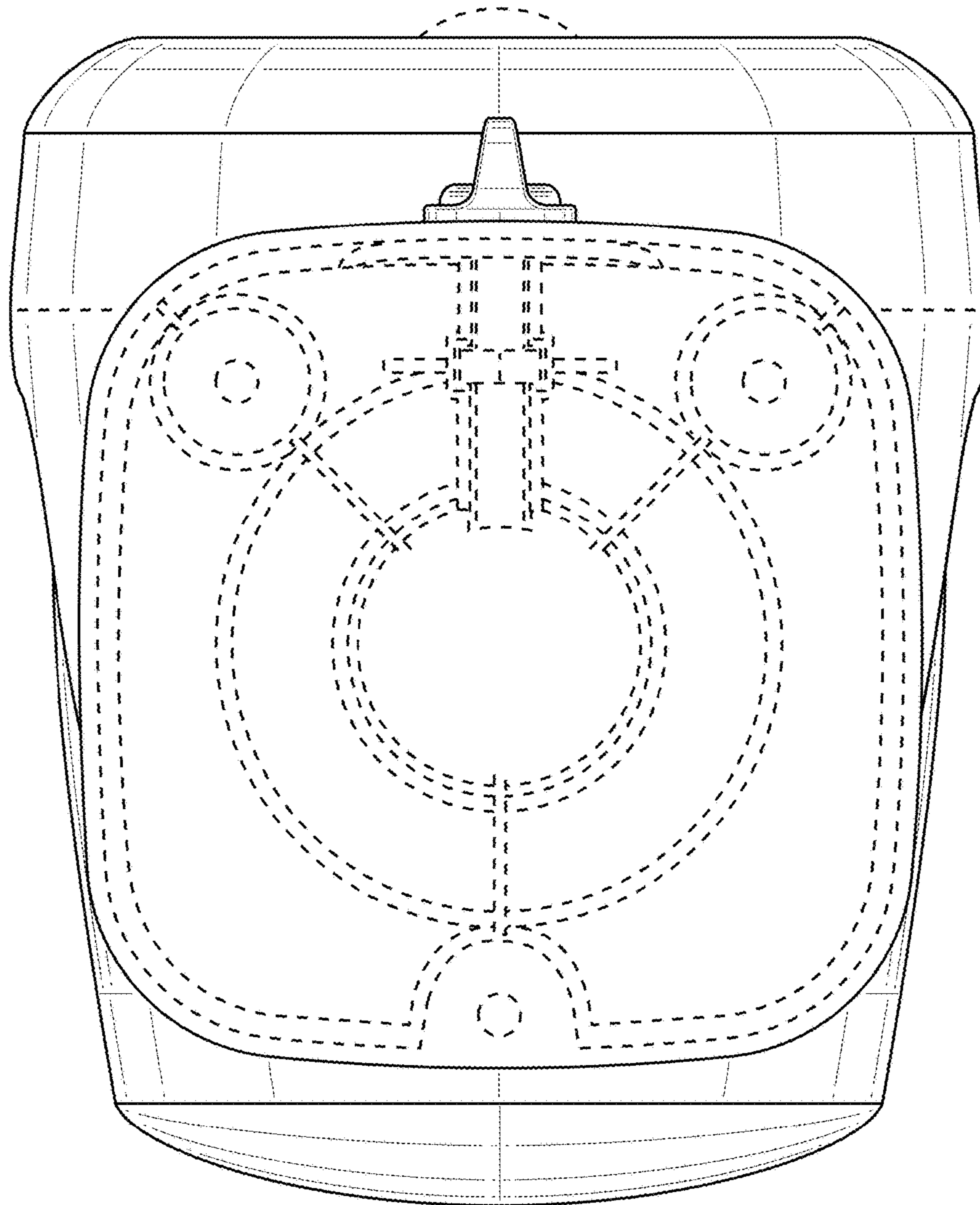


FIG. 8