



US00D857269S

(12) **United States Design Patent**  
**Hjerde et al.**

(10) **Patent No.:** **US D857,269 S**

(45) **Date of Patent:** **\*\* Aug. 20, 2019**

(54) **FOLDABLE FILTER HOLDER FOR AN LED LIGHT**

(71) Applicants: **Morten Hjerde**, Nesoddtangen (NO);  
**Torje Asdahl**, Oslo (NO); **Jesper Grieg**, Oslo (NO); **Lars Bjertnæs**, Oslo (NO)

(72) Inventors: **Morten Hjerde**, Nesoddtangen (NO);  
**Torje Asdahl**, Oslo (NO); **Jesper Grieg**, Oslo (NO); **Lars Bjertnæs**, Oslo (NO)

(\*\*) Term: **15 Years**

(21) Appl. No.: **29/576,854**

(22) Filed: **Sep. 7, 2016**

(51) **LOC (12) Cl.** ..... **26-05**

(52) **U.S. Cl.**  
USPC ..... **D26/63**

(58) **Field of Classification Search**  
USPC ... D26/2, 28, 37, 51, 60, 63, 67, 72, 89, 92,  
D26/118-120, 122, 124, 128, 138, 142,  
D26/143, 145; 362/147, 240, 276, 370,  
362/431; D13/180; 257/713, 717, 719,  
257/727  
CPC ..... A63H 30/04; F41C 33/0254; F41C 27/00;  
F21Y 2103/00; F21Y 2101/02; F21V  
29/006; F21V 27/00; F21V 21/14; F21V  
21/005; F21V 15/015; B29D 21/04; F21S  
8/04; F21S 2/005; F21S 2/00  
See application file for complete search history.

(56) **References Cited**

U.S. PATENT DOCUMENTS

D267,352 S	*	12/1982	Suzuki	.....	D26/118
D276,951 S	*	1/1985	Fireman	.....	D16/312
D300,570 S	*	4/1989	DeCandia	.....	D26/63
D355,502 S	*	2/1995	Liao	.....	D26/63
D551,383 S	*	9/2007	Wu	.....	D26/118

D629,550 S	*	12/2010	Sandell	.....	D26/63
D641,098 S	*	7/2011	Wildner	.....	D26/85
D656,662 S	*	3/2012	Lehman	.....	D26/118
D670,024 S	*	10/2012	Green	.....	D26/128
D702,863 S	*	4/2014	Kotsis	.....	D26/37
D704,370 S	*	5/2014	Su	.....	D26/63
D756,011 S	*	5/2016	Nojima	.....	D16/219
D808,052 S	*	1/2018	Gordin	.....	D26/63

\* cited by examiner

*Primary Examiner* — Katie Jane Stofko

(74) *Attorney, Agent, or Firm* — r.r (princeton); Roy Rosser

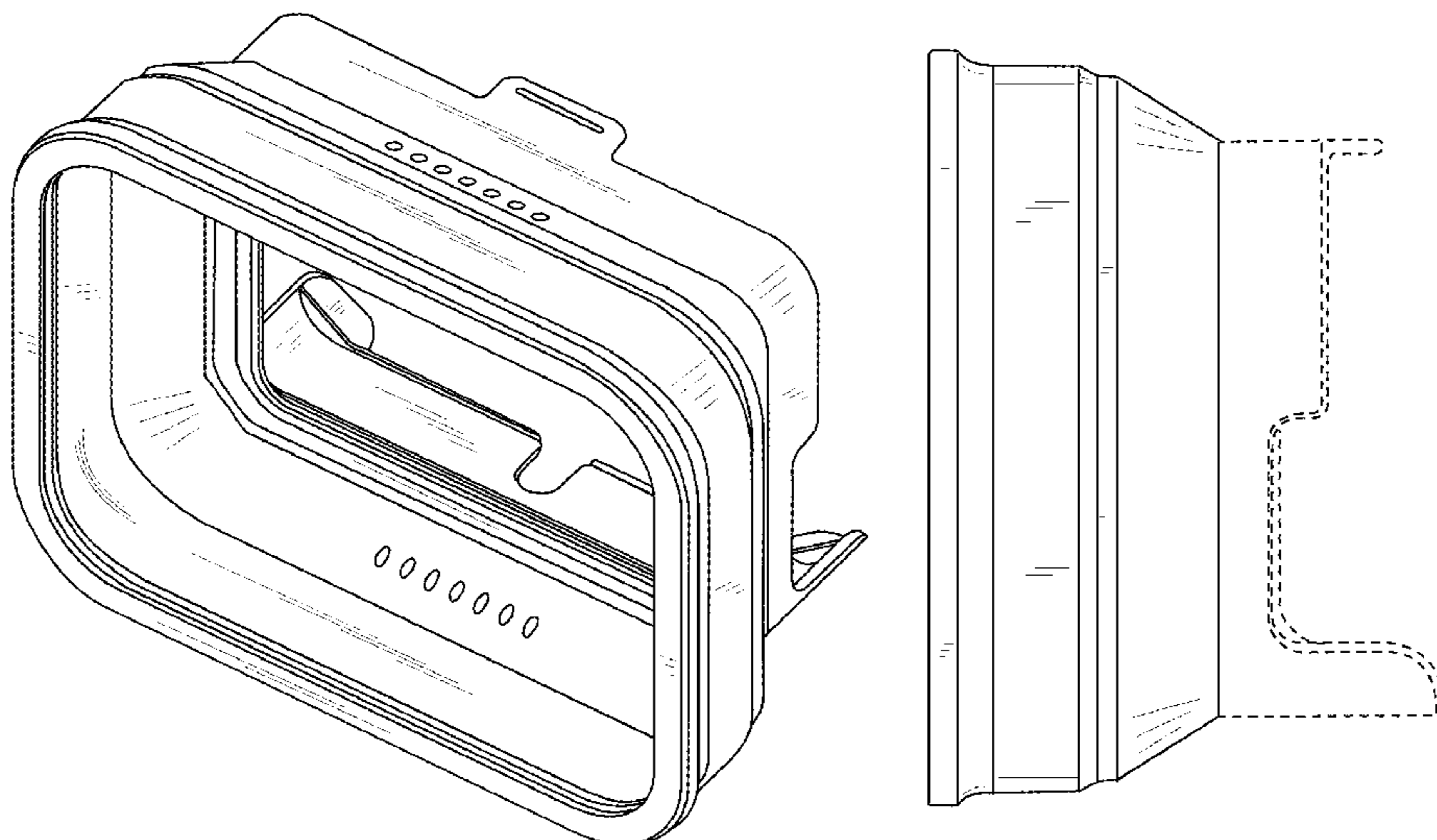
(57) **CLAIM**

The ornamental design for a foldable filter holder for an LED light, as shown and described.

**DESCRIPTION**

FIG. 1 is a front, top, right perspective view of a first embodiment of a foldable filter holder for an LED light. FIG. 2 is a back, top, right perspective view thereof. FIG. 3 is a front elevation view thereof. FIG. 4 is a rear elevation view thereof. FIG. 5 is a left, side elevation view thereof. FIG. 6 is a right, side elevation view thereof. FIG. 7 is a top plan view thereof. FIG. 8 is a bottom plan view thereof. FIG. 9 is a cross-section view thereof, the taken on A-A of FIG. 3. FIG. 10 is a front elevation view of a second embodiment of a foldable, filter holder for an LED light. FIG. 11 is a rear elevation view thereof. FIG. 12 is a left, side elevation view thereof. FIG. 13 is a right, side elevation view thereof. FIG. 14 is a top plan view thereof; and, FIG. 15 is a bottom plan view thereof. The broken lines in FIGS. 10-15 illustrate portions of the foldable filter holder for an LED light that form no part of the claimed design.

**1 Claim, 13 Drawing Sheets**



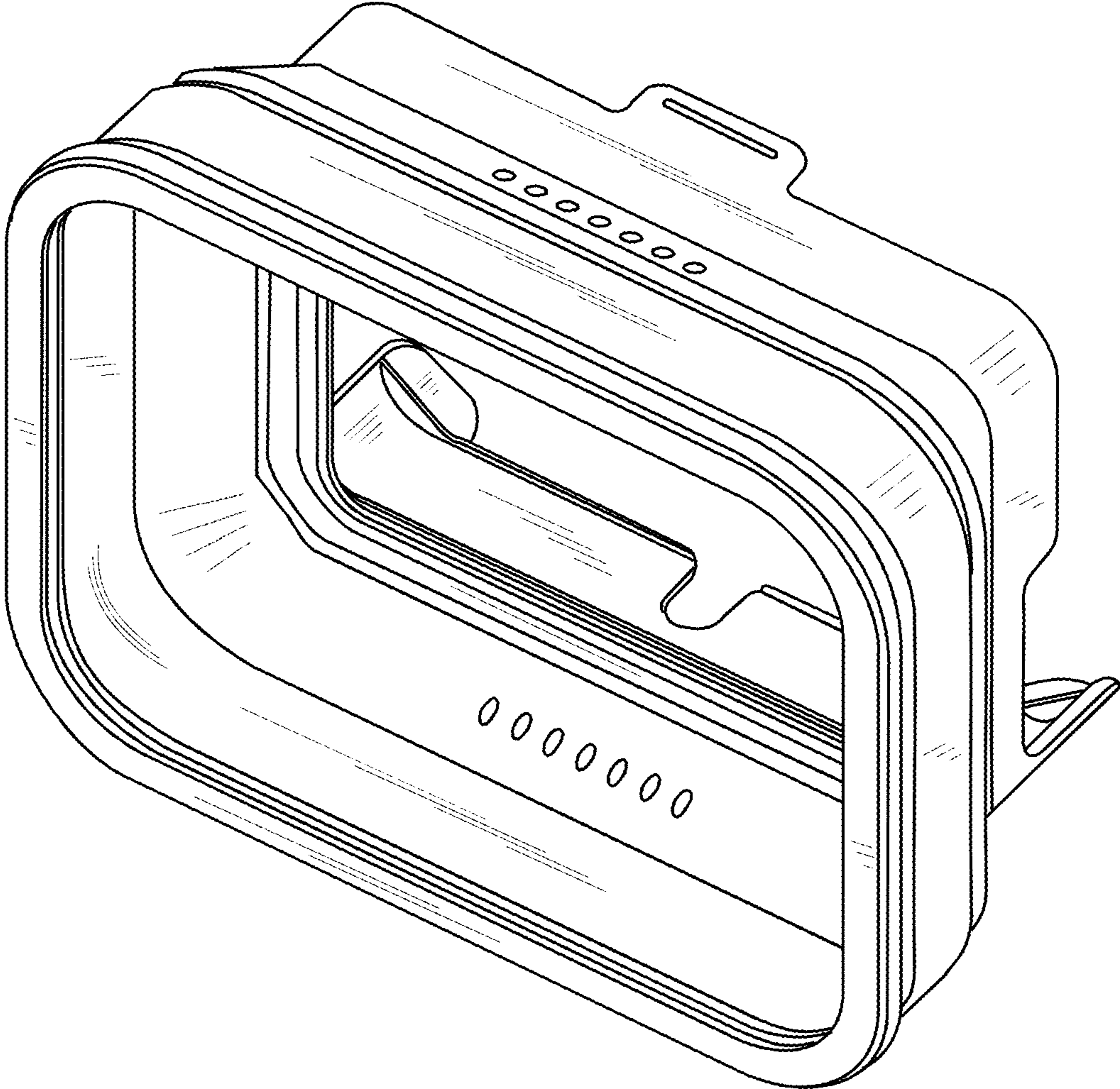


FIG. 1

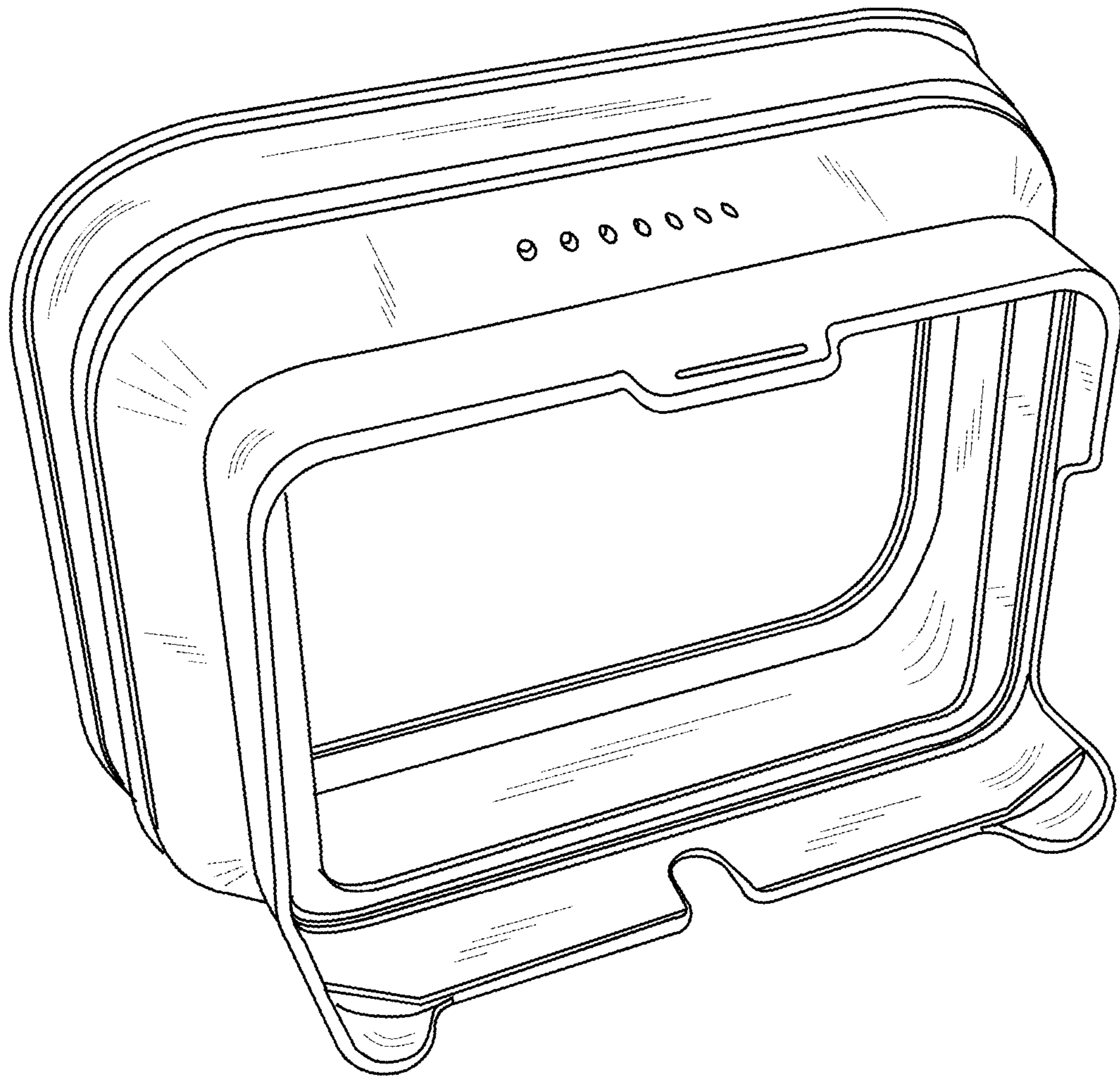


FIG. 2

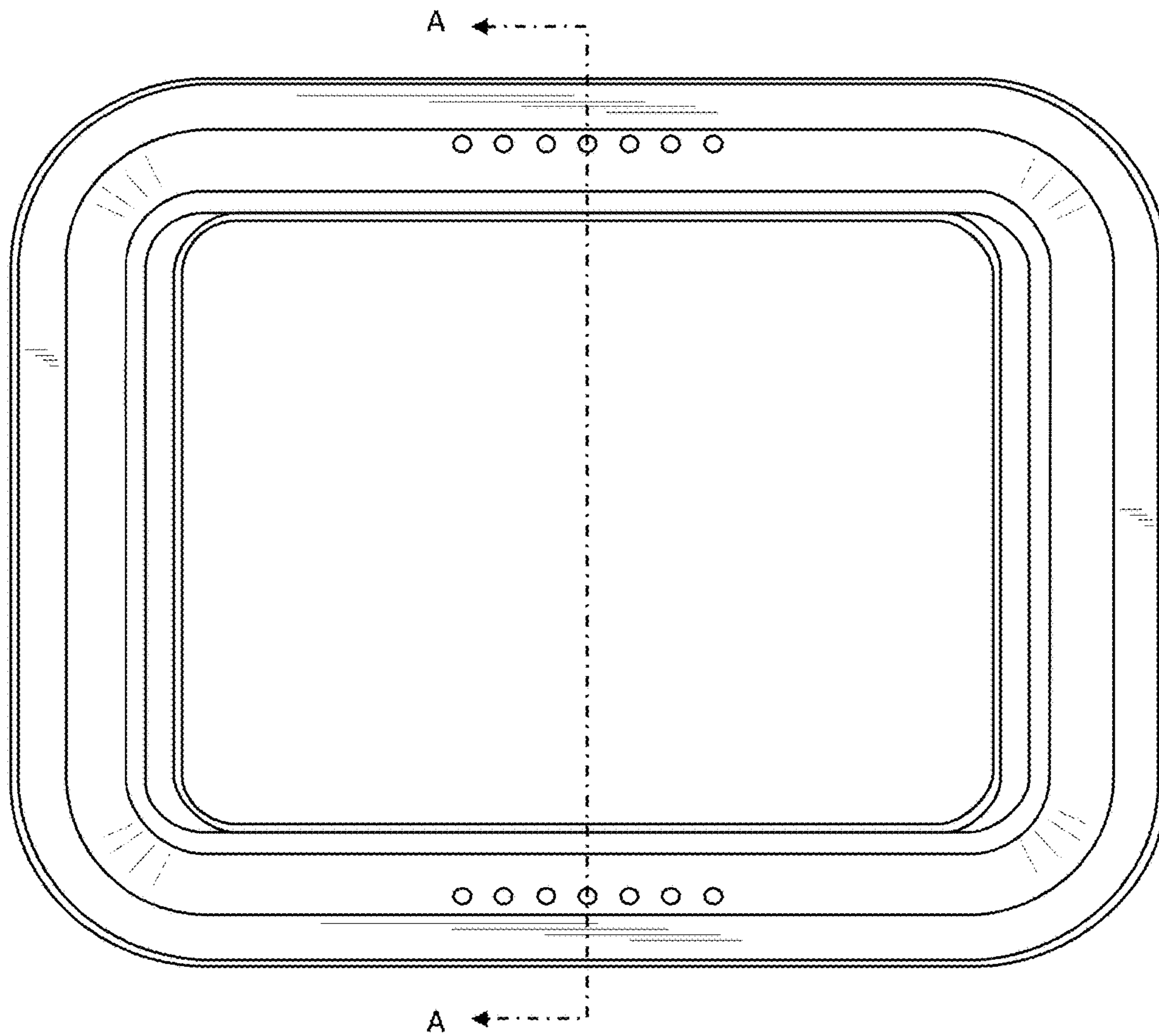


FIG. 3

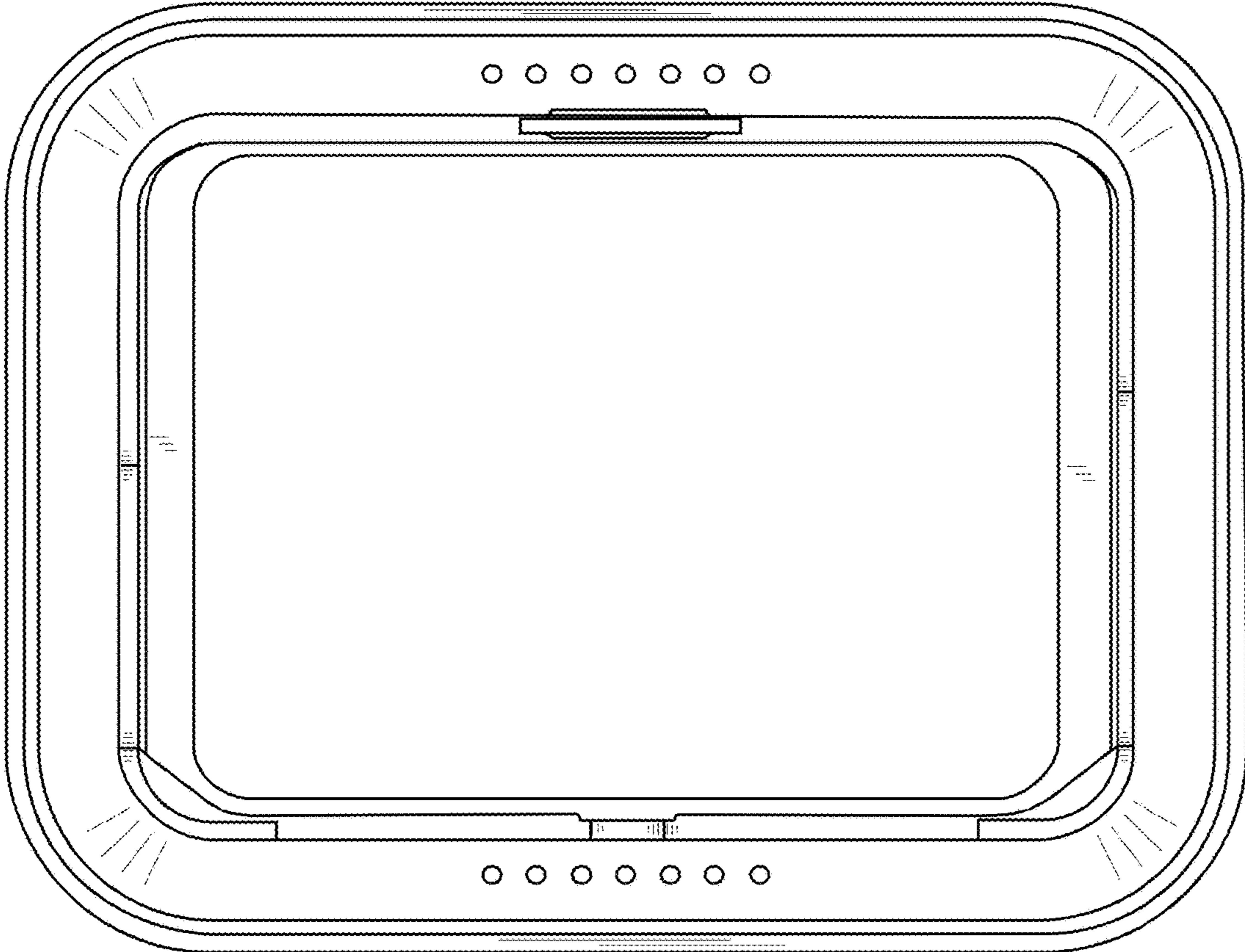


FIG. 4

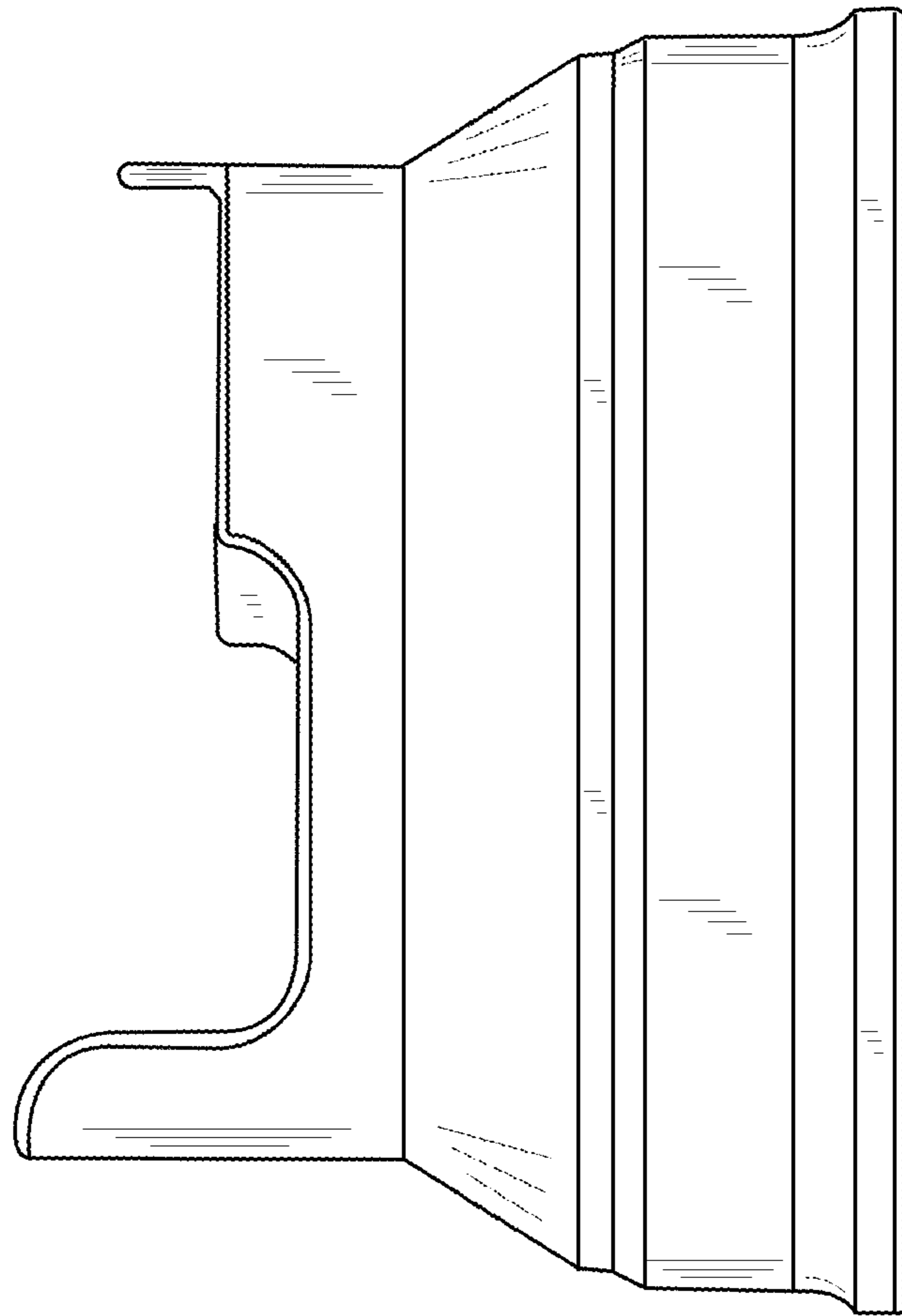


FIG. 5

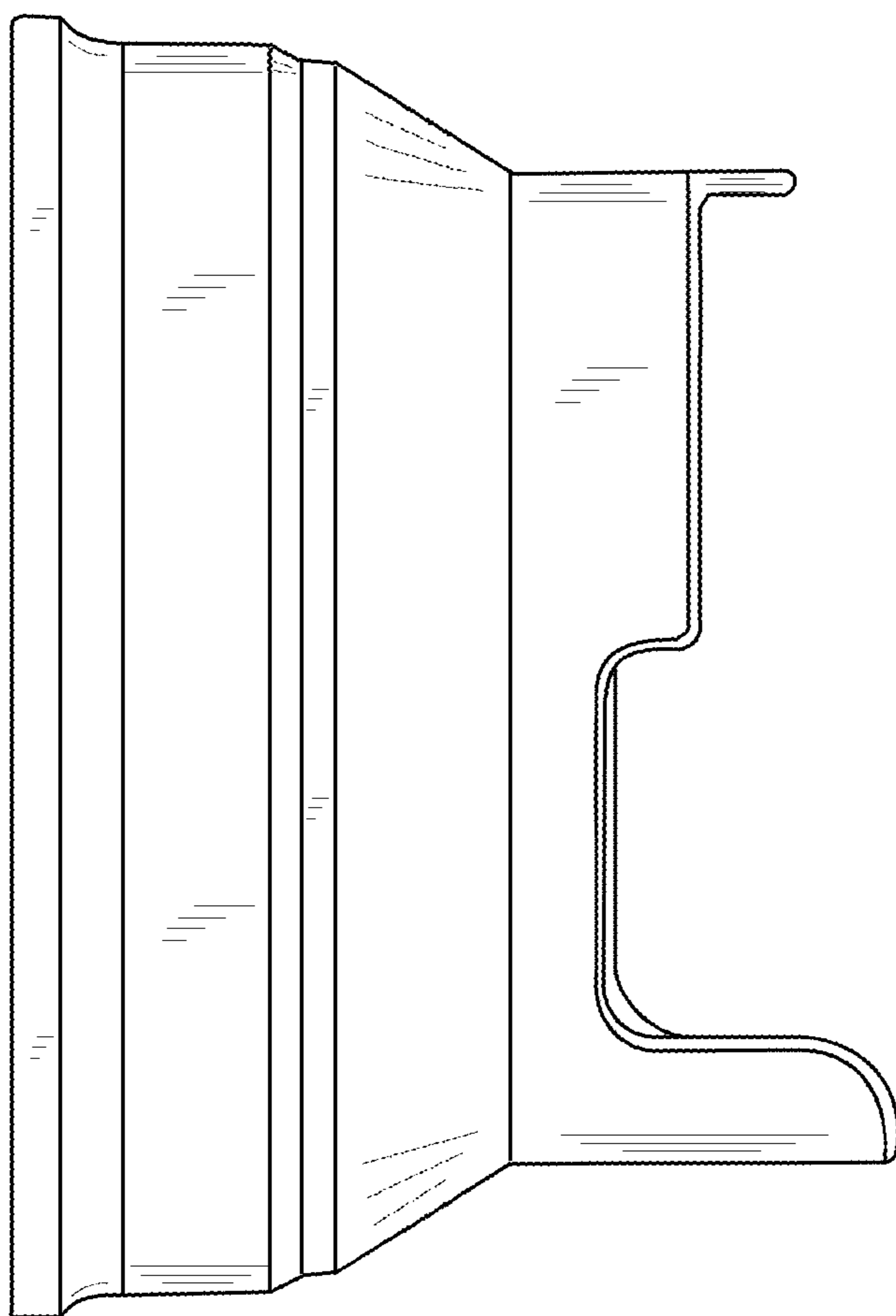


FIG. 6

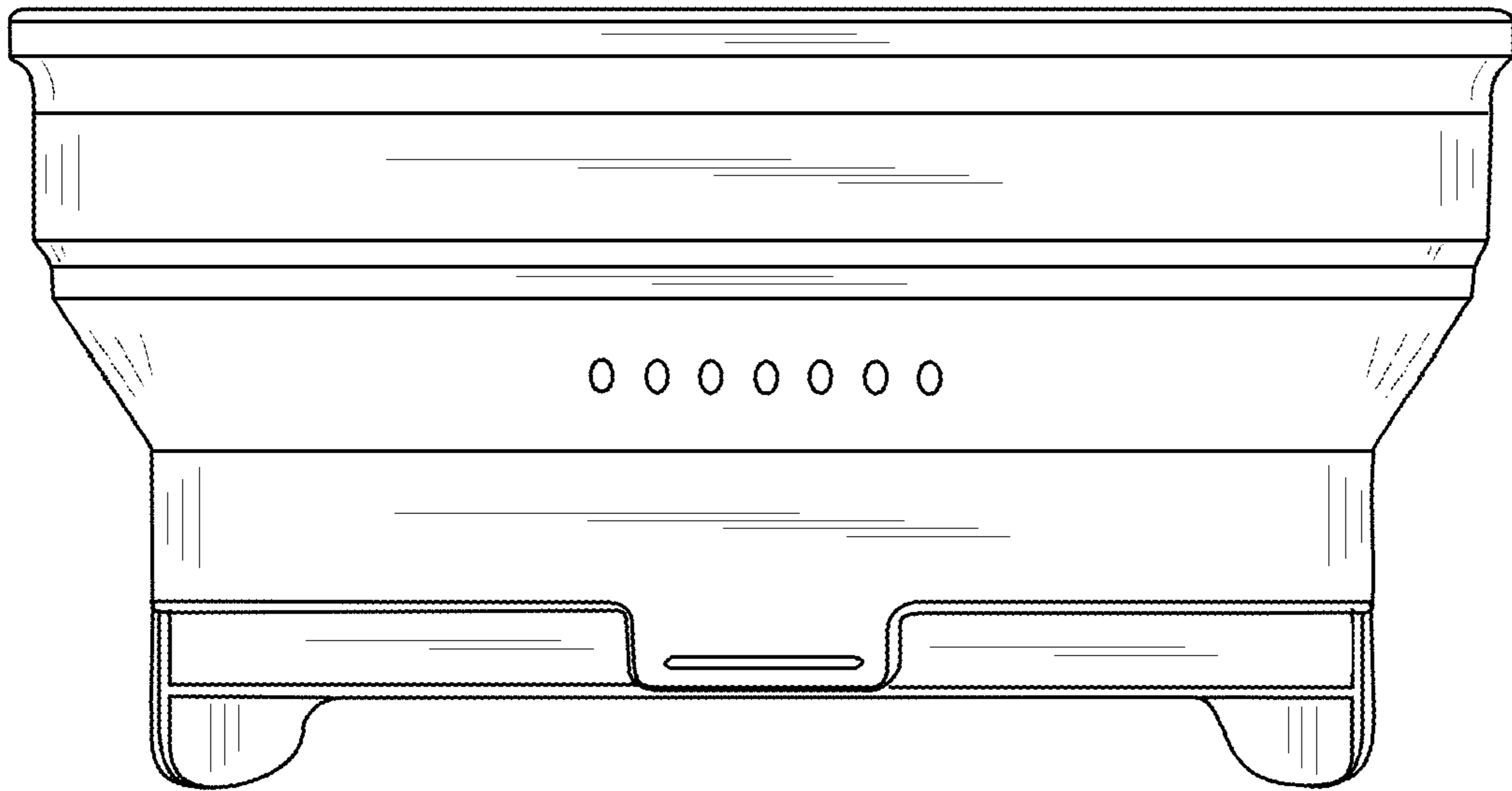


FIG. 7

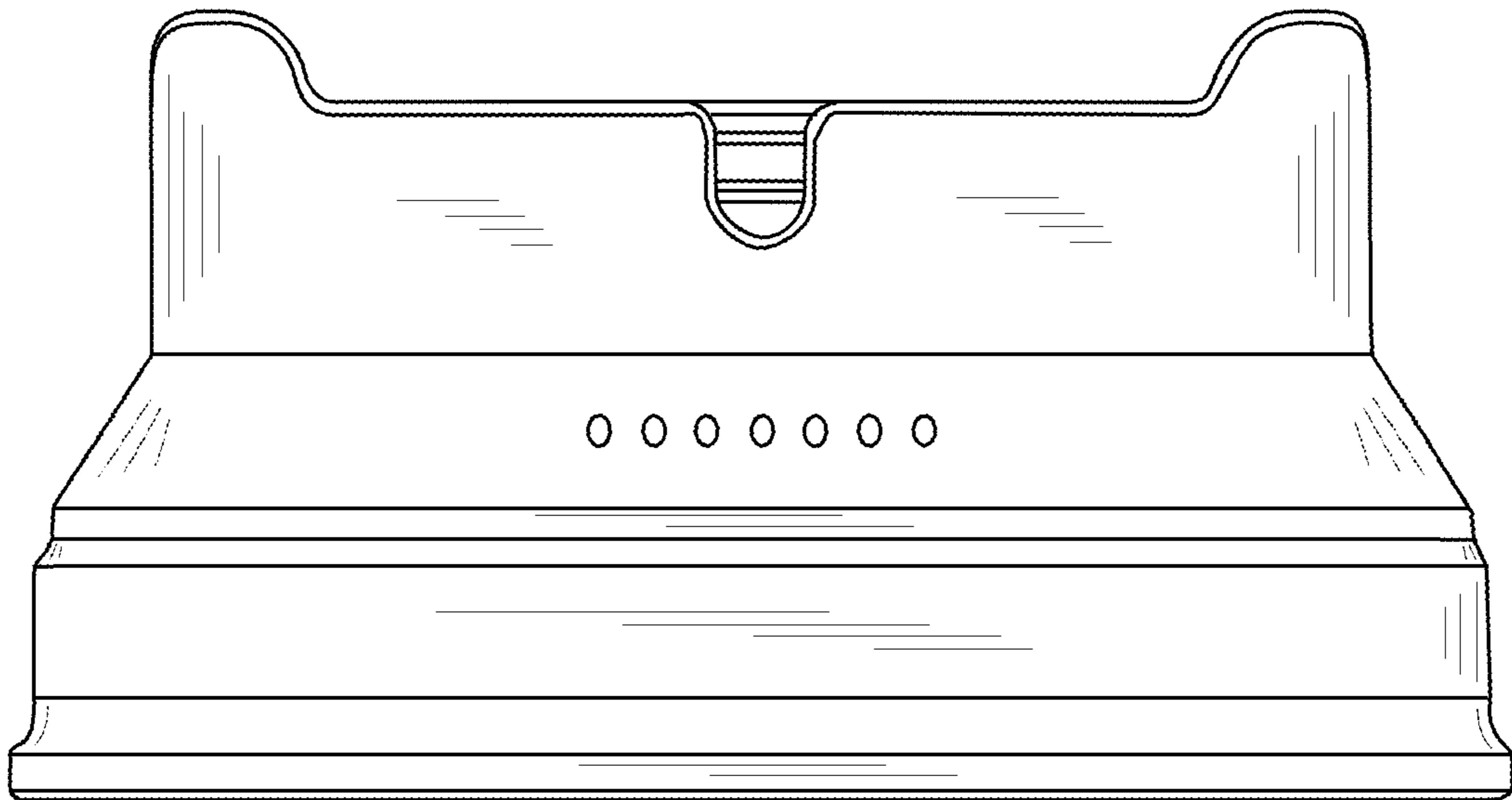


FIG. 8



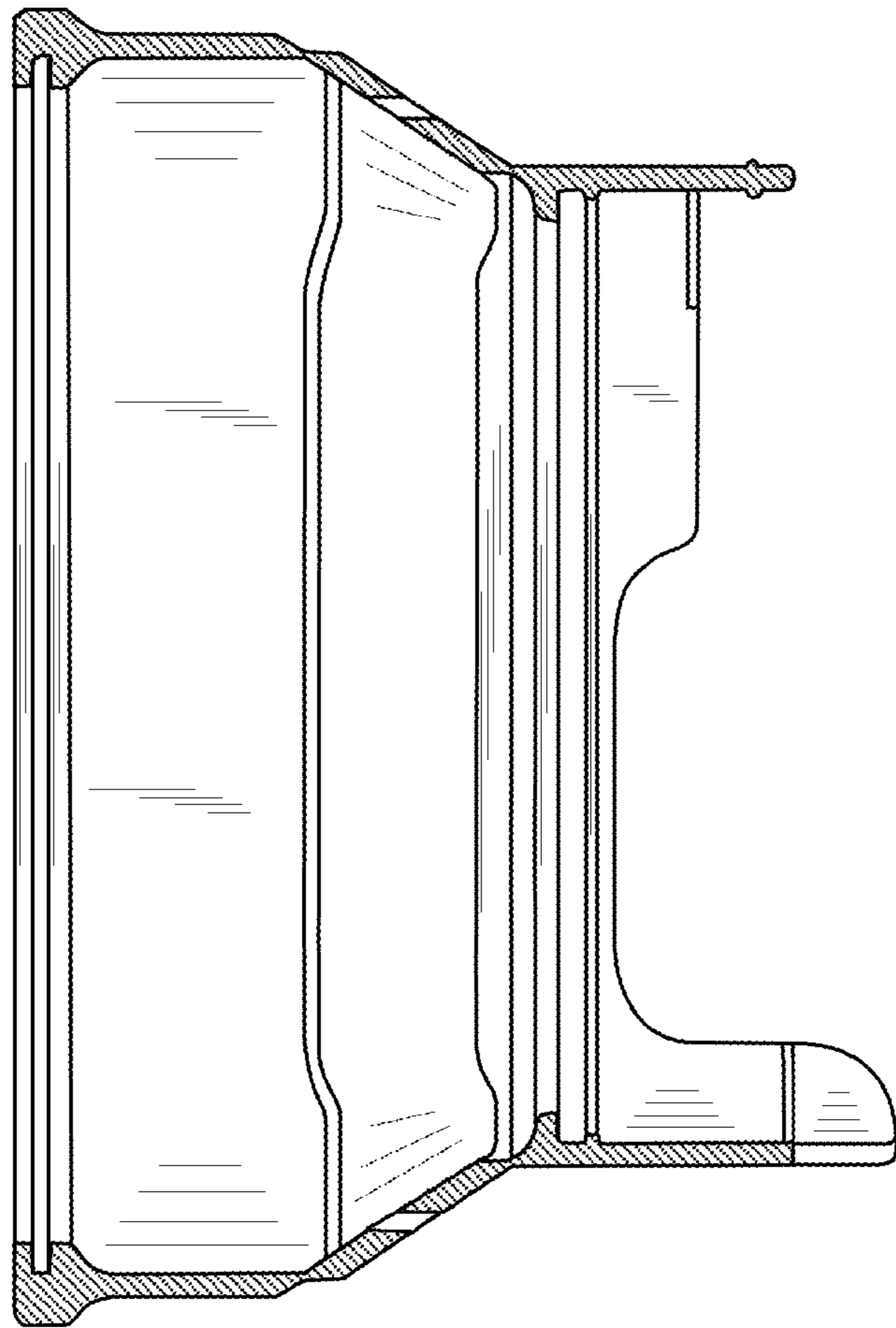


FIG. 9

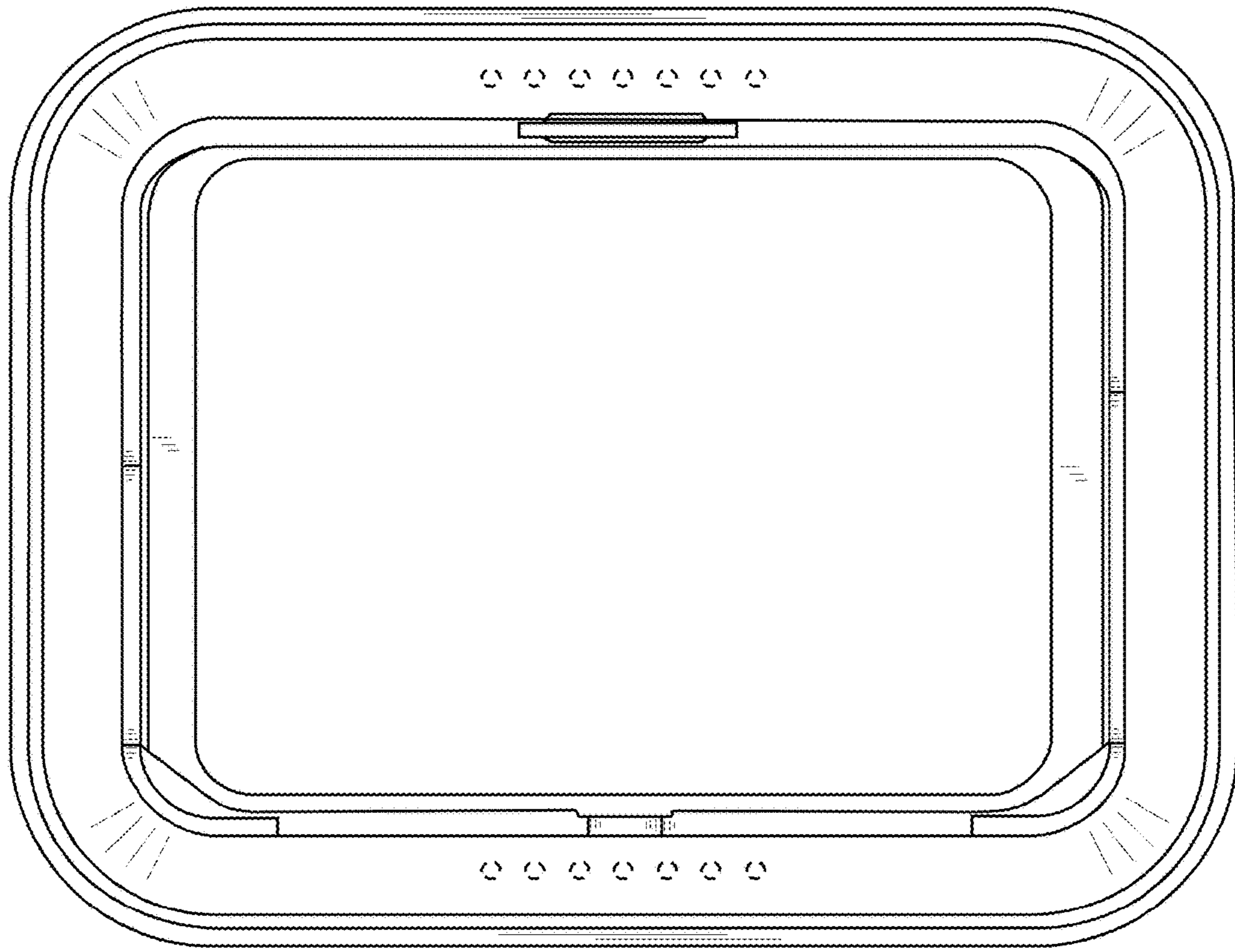


FIG. 10

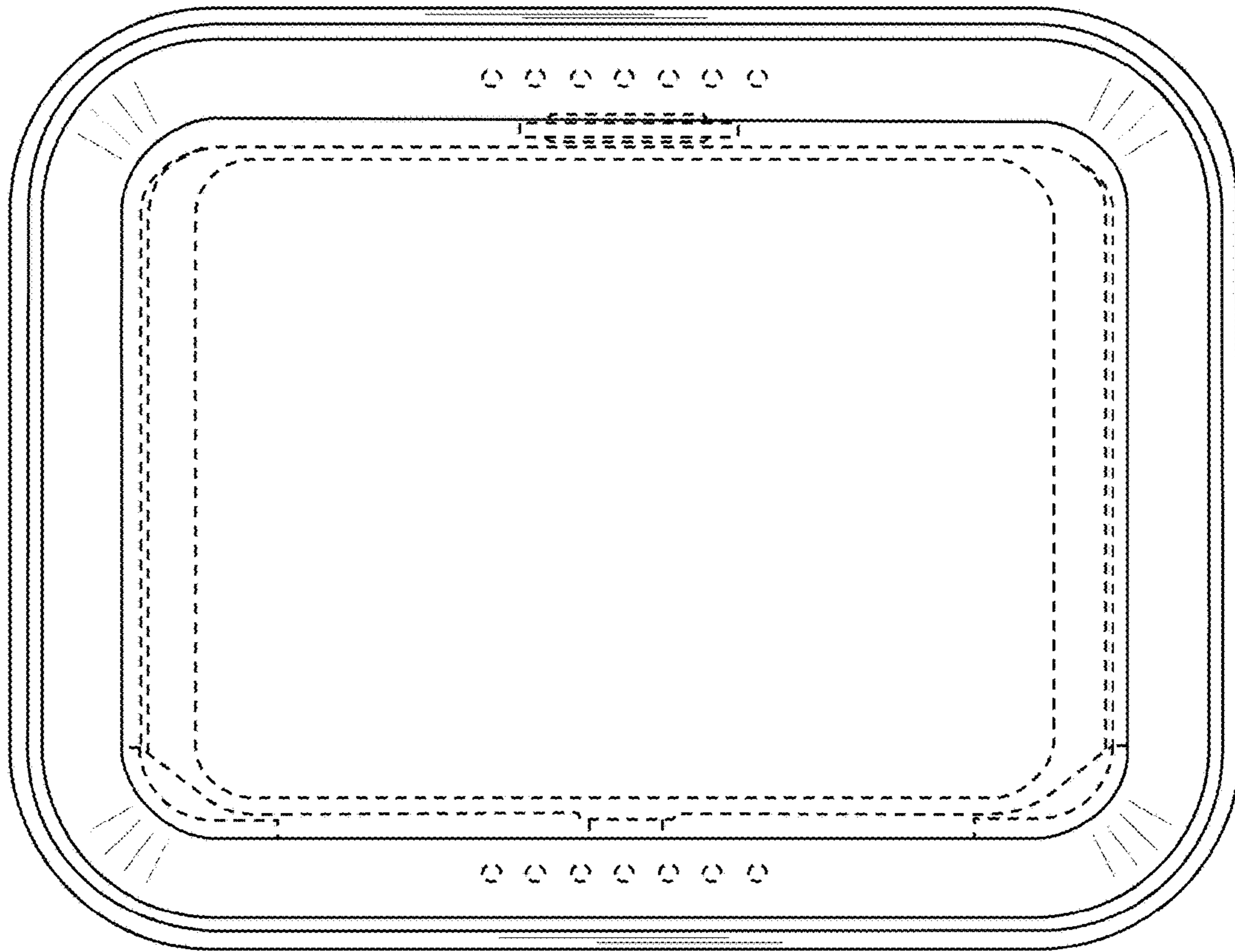


FIG. 11

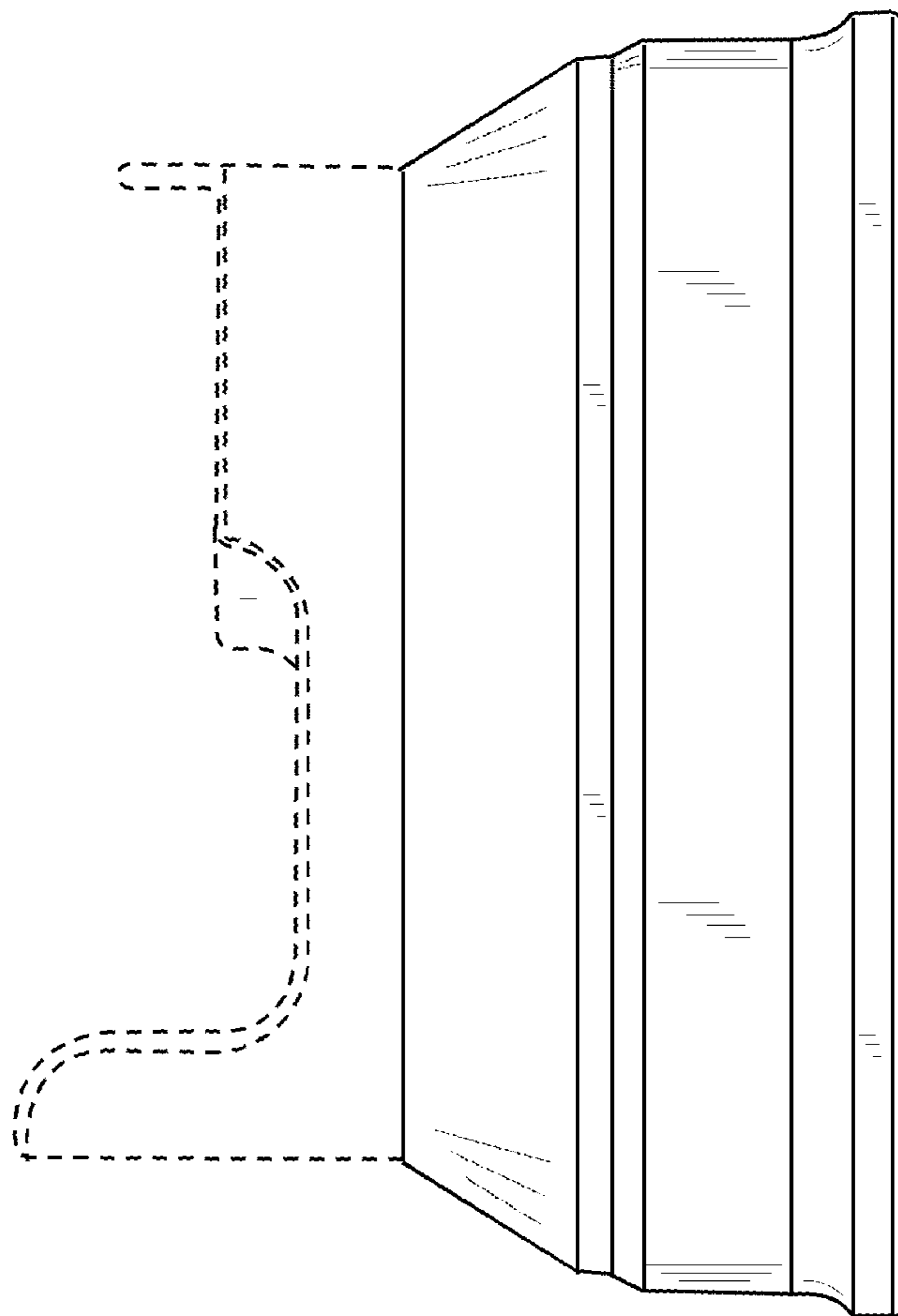


FIG. 12

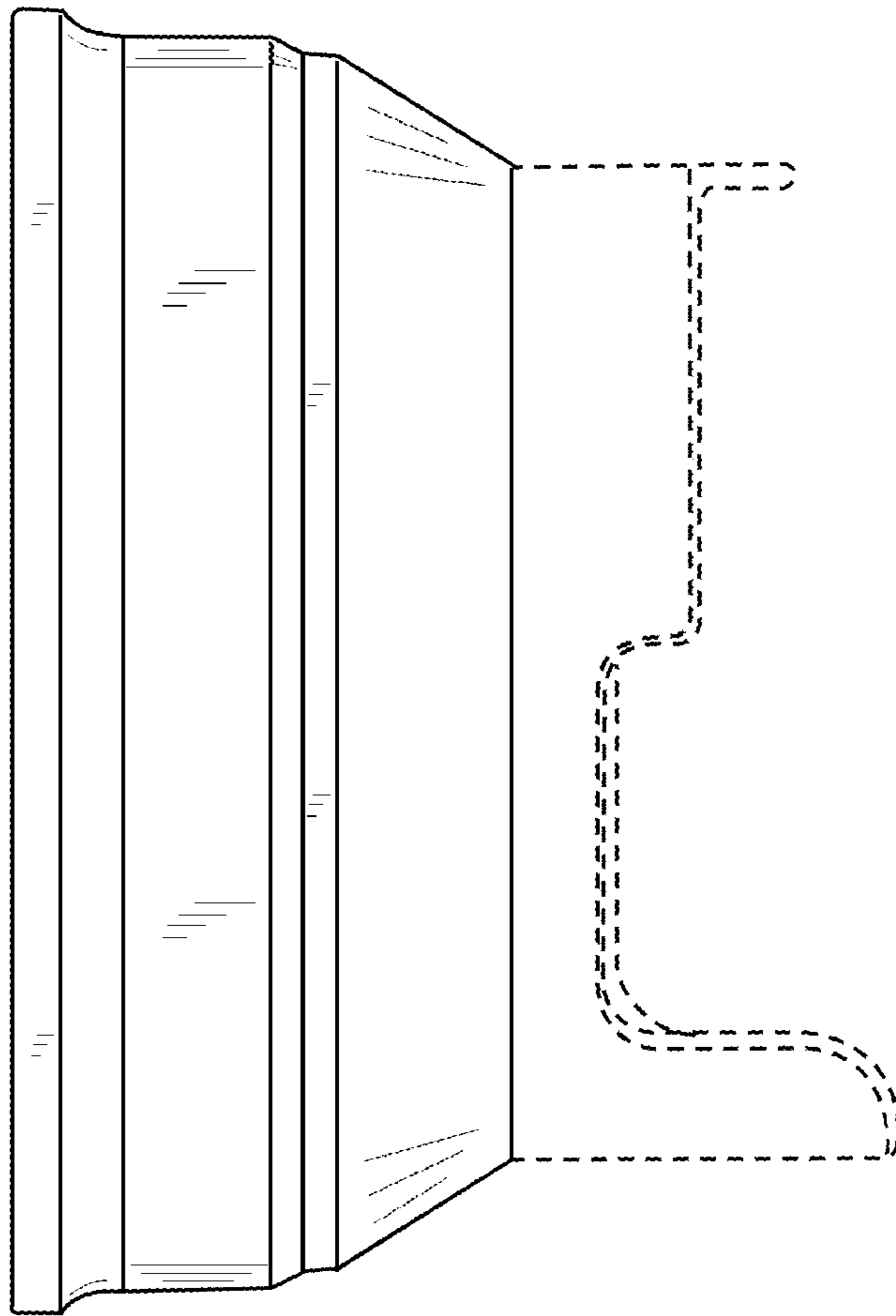


FIG. 13

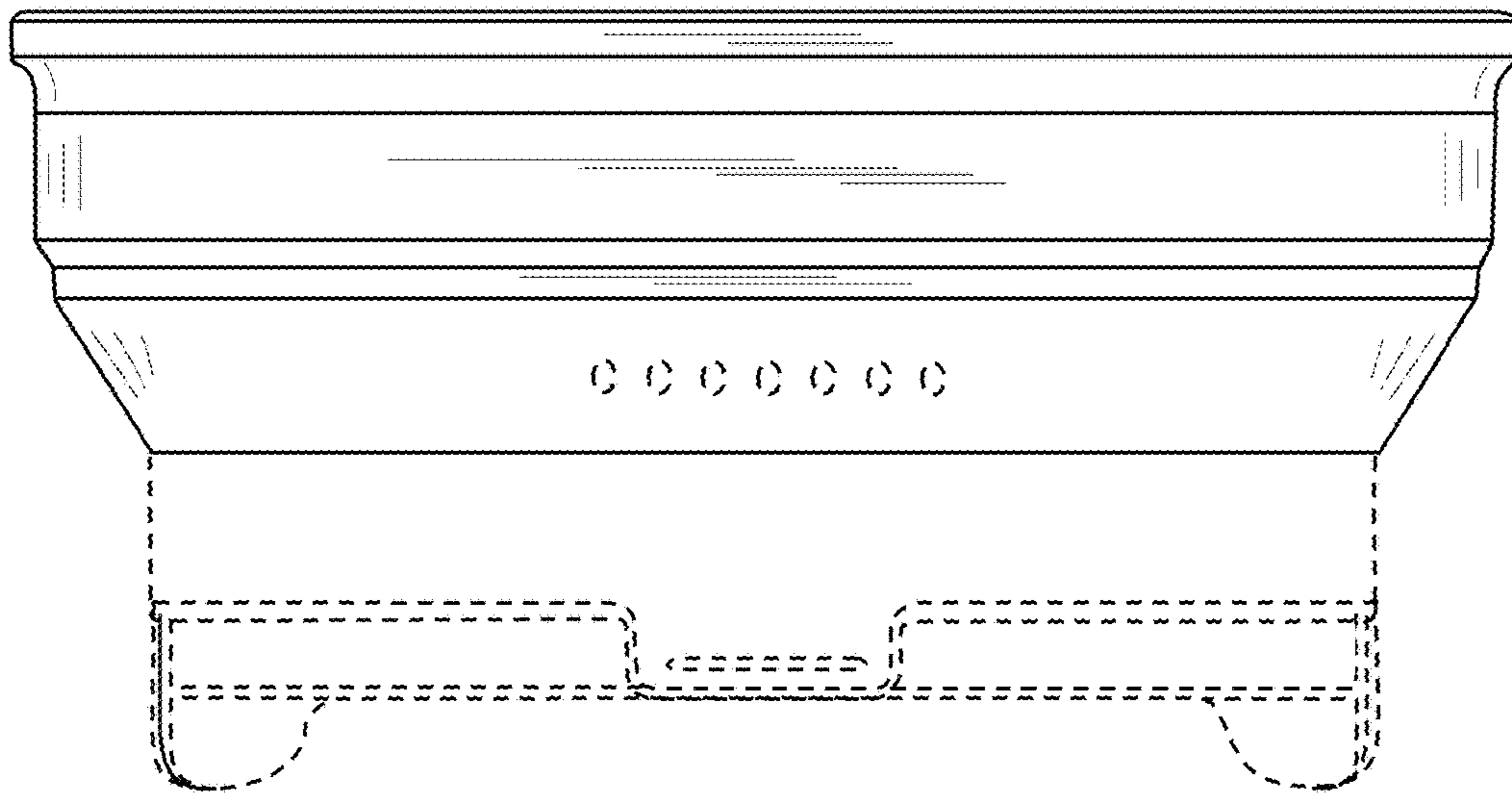


FIG. 14

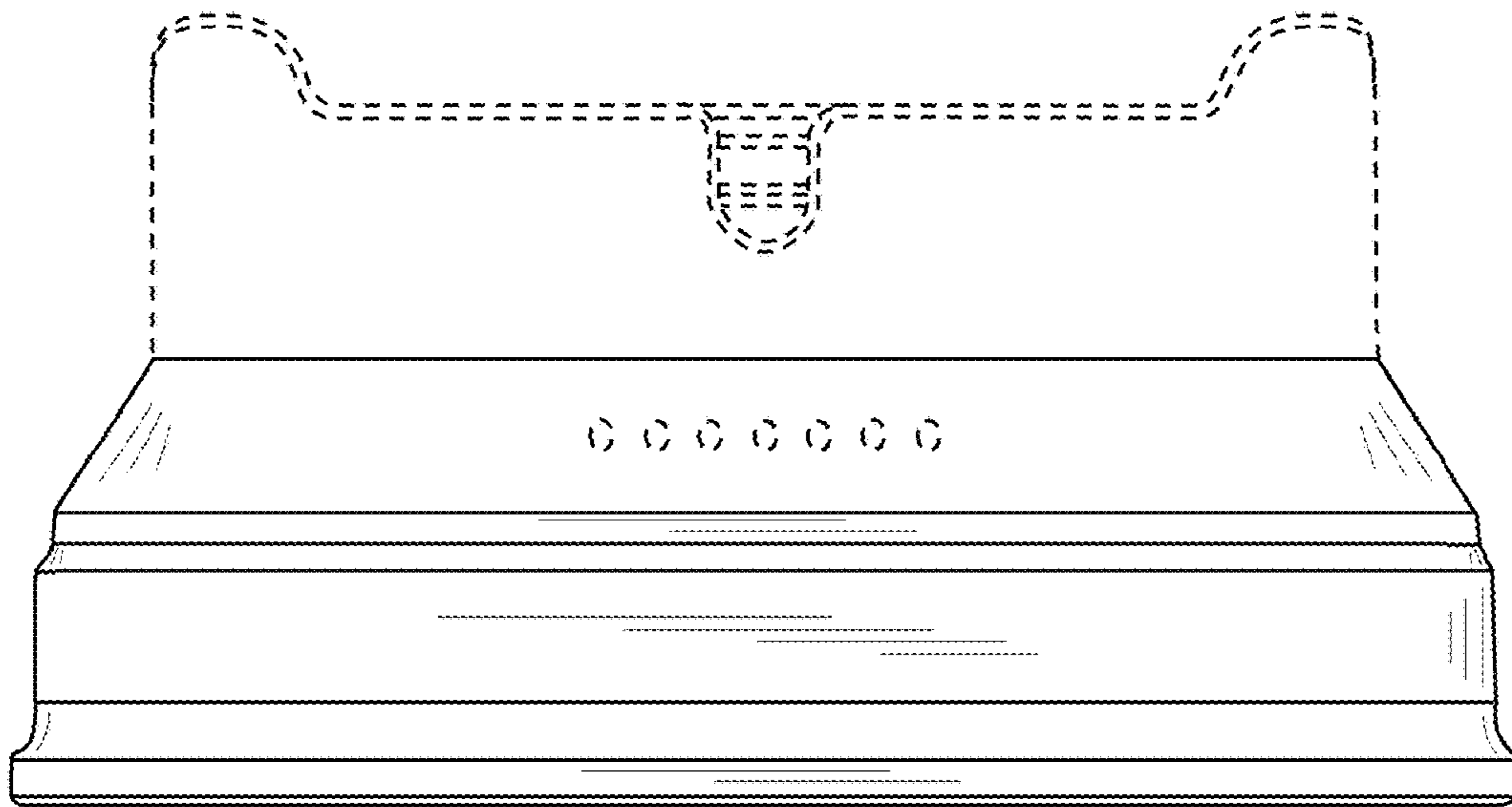


FIG. 15