



US00D857265S

(12) **United States Design Patent** (10) **Patent No.:** **US D857,265 S**  
**Han et al.** (45) **Date of Patent:** **\*\* Aug. 20, 2019**

(54) **REAR COMBINATION LAMP FOR AN AUTOMOBILE**

CPC .. F21S 41/00; F21S 43/00; F21S 43/20; F21S 43/26  
See application file for complete search history.

(71) Applicants: **HYUNDAI MOTOR COMPANY**, Seoul (KR); **KIA MOTORS CORPORATION**, Seoul (KR)

(56) **References Cited**

U.S. PATENT DOCUMENTS

(72) Inventors: **Jae Do Han**, Yongin-si (KR); **Hyun Kyung Song**, Seoul (KR)

D412,214 S *	7/1999	Hejtmanek .....	D26/28
D679,432 S *	4/2013	Frenzel .....	D26/28
D714,978 S *	10/2014	Lee .....	D26/28
D716,478 S *	10/2014	Loeb .....	D26/28
D720,484 S *	12/2014	Nordmann .....	D26/28
D739,583 S *	9/2015	Forsgren .....	D26/28
D749,247 S *	2/2016	Han .....	D26/28
D749,248 S *	2/2016	Gorsten Schuenemann ..	D26/28
D749,759 S *	2/2016	Beaven .....	D26/28
D755,420 S *	5/2016	Ko .....	D26/28
D761,979 S *	7/2016	Wu .....	D26/28
D761,982 S *	7/2016	Akita .....	D26/28
D764,082 S *	8/2016	Frascella .....	D26/28
D767,803 S *	9/2016	Faghihzadeh .....	D26/28
D769,485 S *	10/2016	Morikawa .....	D26/28
D776,312 S *	1/2017	Han .....	D26/28
D776,313 S *	1/2017	Han .....	D26/28
D794,843 S *	8/2017	Han .....	D26/28
D794,850 S *	8/2017	Kim .....	D26/28
D797,330 S *	9/2017	Katou .....	D26/28
D806,919 S *	1/2018	Hatton .....	D26/28
D806,921 S *	1/2018	Ryu .....	D26/28
D808,048 S *	1/2018	Hannemann .....	D26/28
D810,974 S *	2/2018	Sato .....	D26/28

(73) Assignees: **Hyundai Motor Company**, Seoul (KR); **Kia Motors Corporation**, Seoul (KR)

(\*\*) Term: **15 Years**

(21) Appl. No.: **35/505,137**

(22) Filed: **Dec. 9, 2017**

(80) **Hague Agreement Data**

Int. Filing Date: **Dec. 9, 2017**

Int. Reg. No.: **DM/099207**

Int. Reg. Date: **Dec. 9, 2017**

Int. Reg. Pub. Date: **Jun. 15, 2018**

(30) **Foreign Application Priority Data**

Jun. 16, 2017 (KR) ..... 30-2017-0027765

(51) **LOC (12) Cl.** ..... **26-07**

(52) **U.S. Cl.**  
USPC ..... **D26/28**  
CPC ..... **F21S 43/00** (2018.01)

(58) **Field of Classification Search**  
USPC ..... D26/28-36; 362/459-468, 475-478, 362/485-487

(Continued)

*Primary Examiner* — Richard E Chilcot  
(74) *Attorney, Agent, or Firm* — Mintz Levin Cohn Ferris Glovsky and Popeo, P.C.; Kongsik Kim

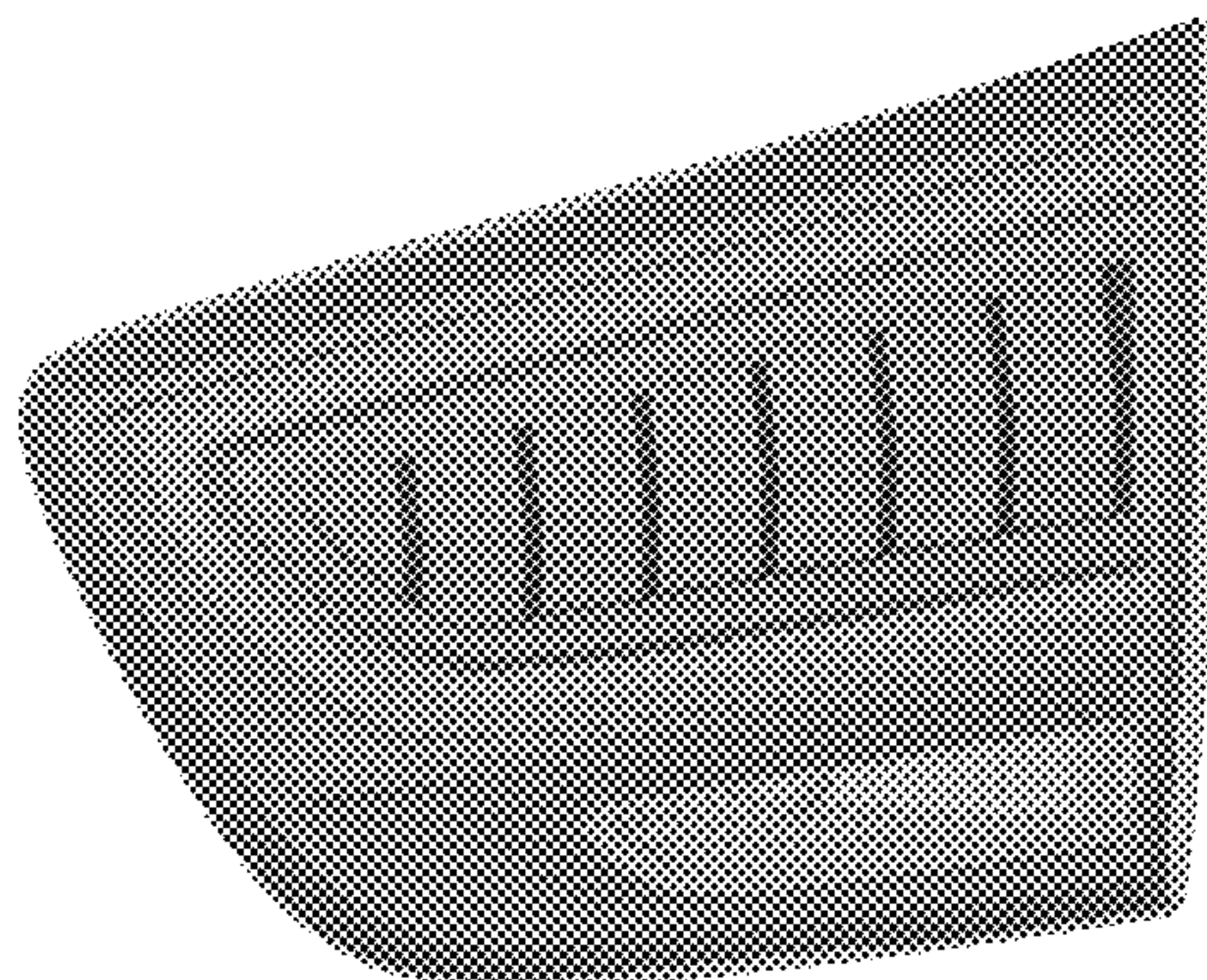
(57) **CLAIM**

The ornamental design for a rear combination lamp for an automobile, as shown and described.

**DESCRIPTION**

- 1. Rear combination lamp for an automobile
- 1.1 : Perspective
- 1.2 : Front
- 1.3 : Back
- 1.4 : Left

(Continued)



1.5 : Right  
1.6 : Top  
1.7 : Bottom

**1 Claim, 7 Drawing Sheets**

(56) **References Cited**

U.S. PATENT DOCUMENTS

D810,977	S	*	2/2018	Piscitelli .....	D26/28
D811,633	S	*	2/2018	Gould .....	D26/28
D812,271	S	*	3/2018	Katagiri .....	D26/28
D812,273	S	*	3/2018	Wu .....	D26/28
D812,792	S	*	3/2018	Jae .....	D26/28
D834,226	S	*	11/2018	Lee .....	D26/28
D834,227	S	*	11/2018	Lee .....	D26/28
D834,228	S	*	11/2018	Lee .....	D26/28
D834,229	S	*	11/2018	Lee .....	D26/28
D834,230	S	*	11/2018	Lee .....	D26/28
D841,202	S	*	2/2019	Badstuebner .....	D26/28

\* cited by examiner

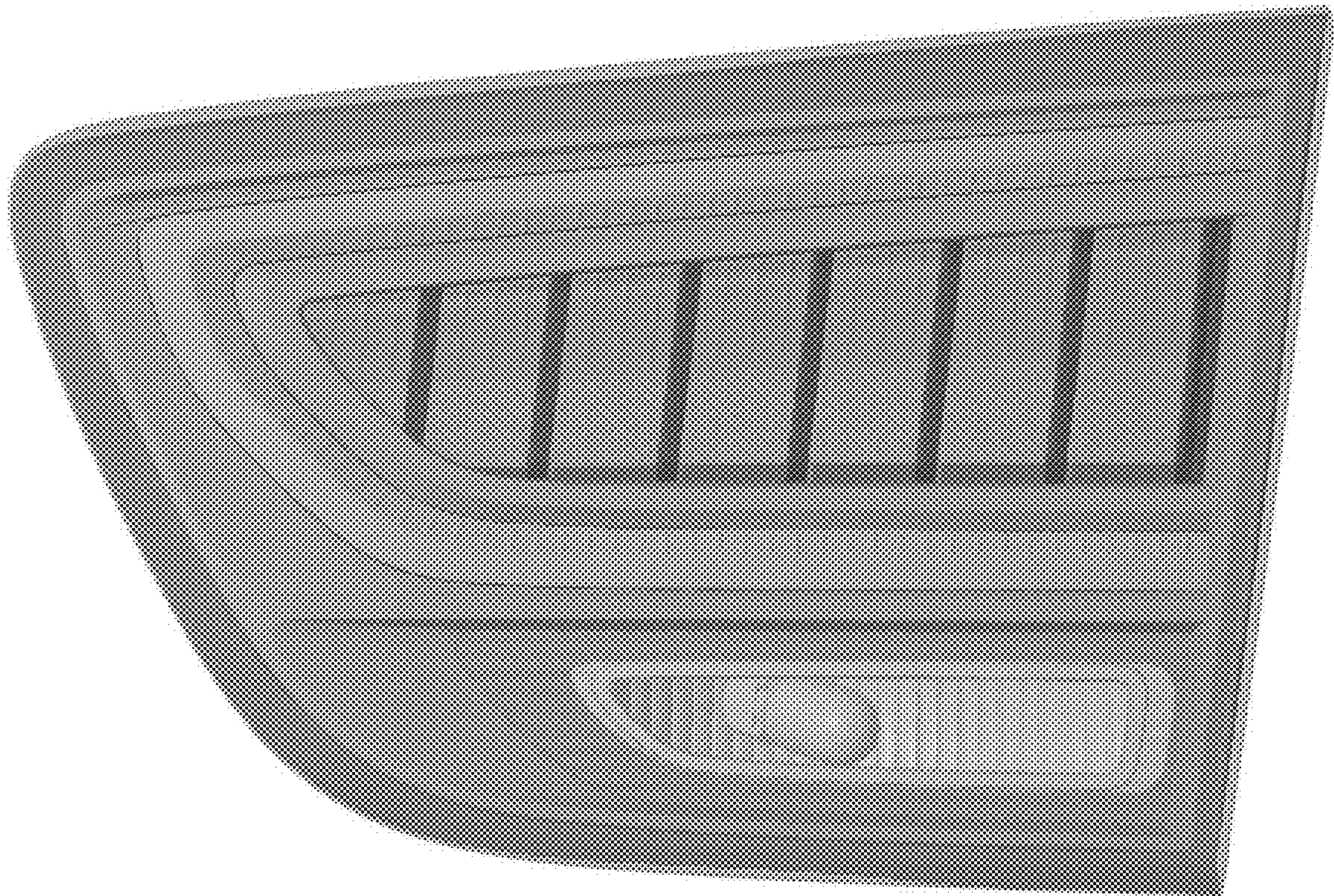


1.1



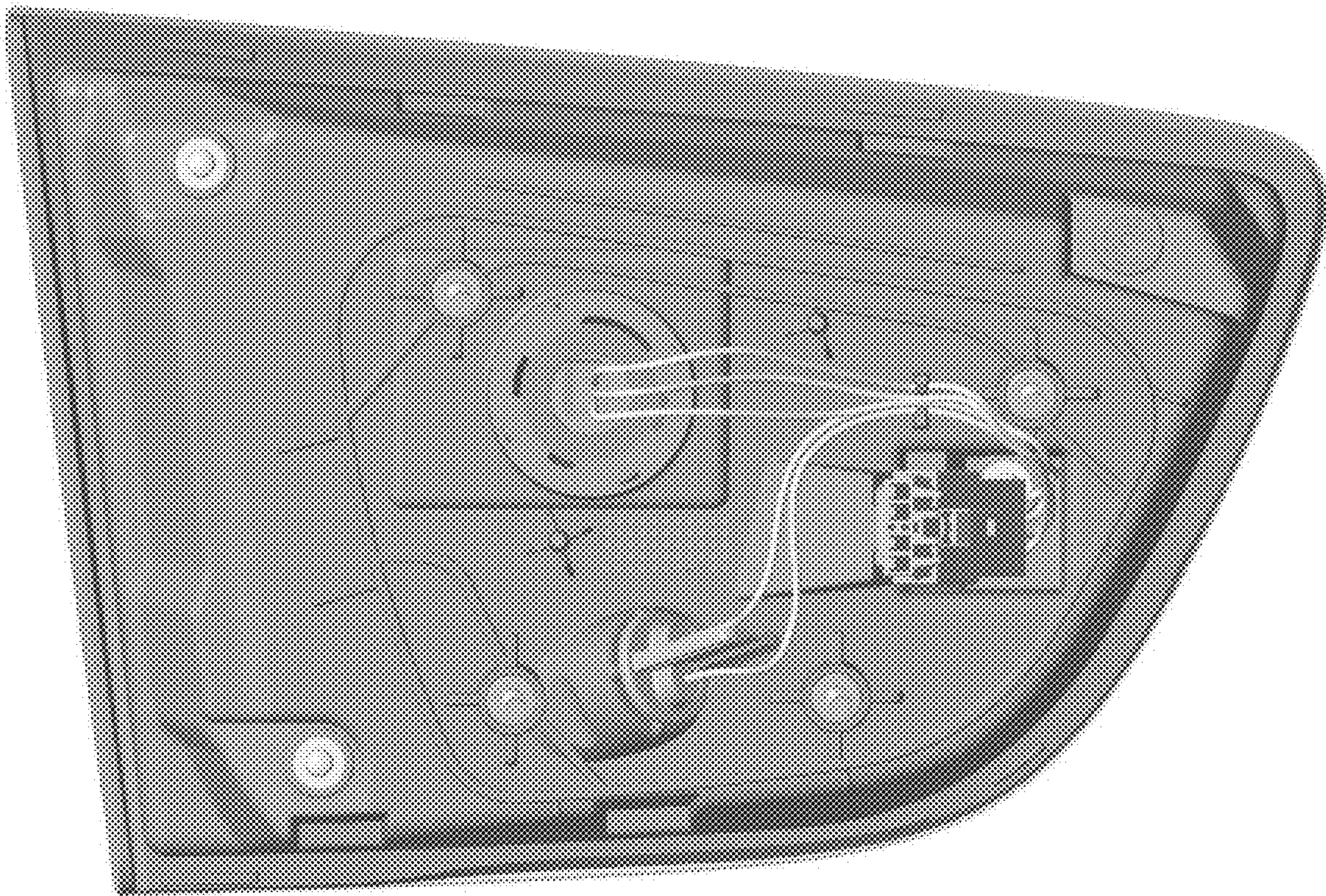


1.2



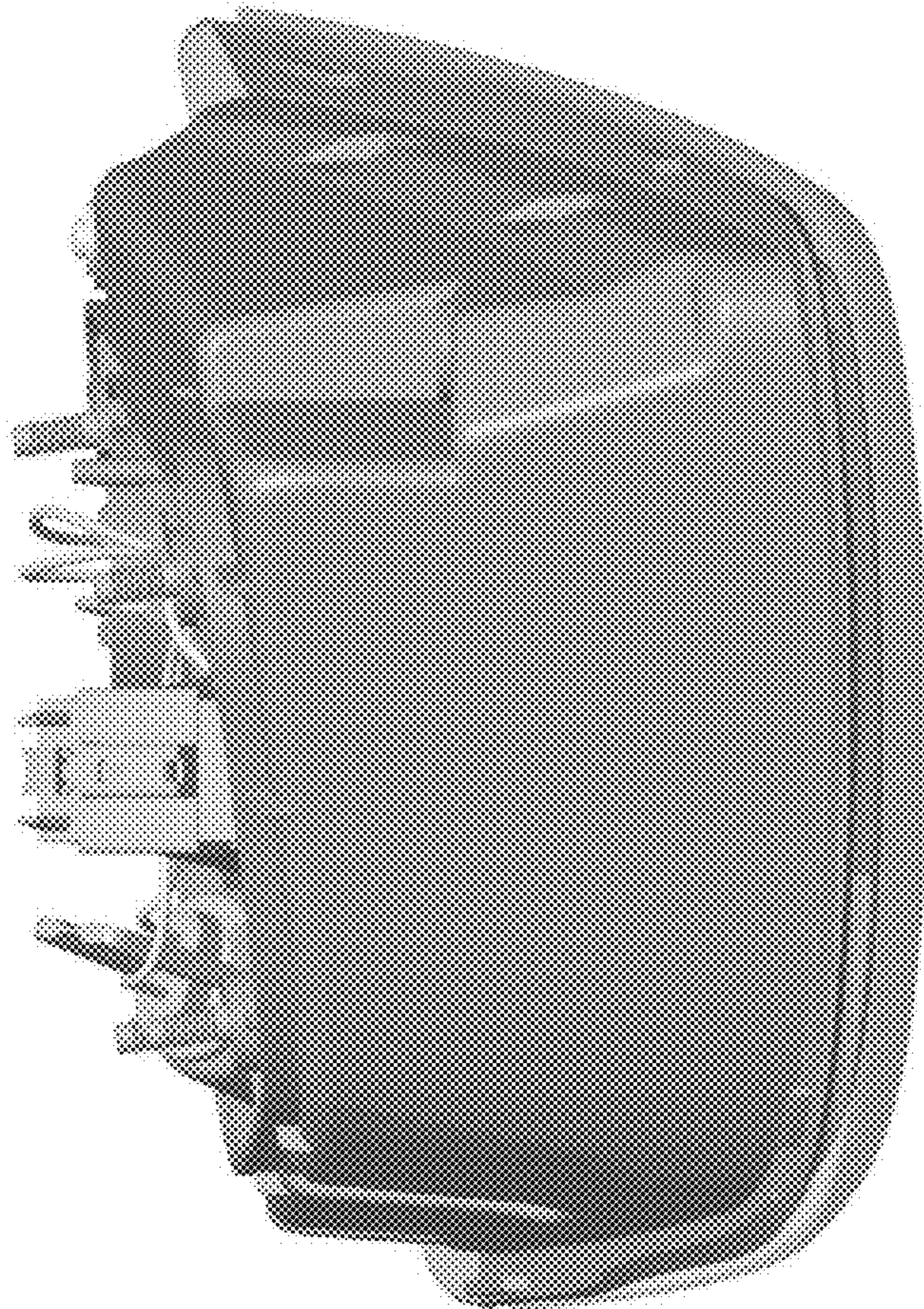


1.3

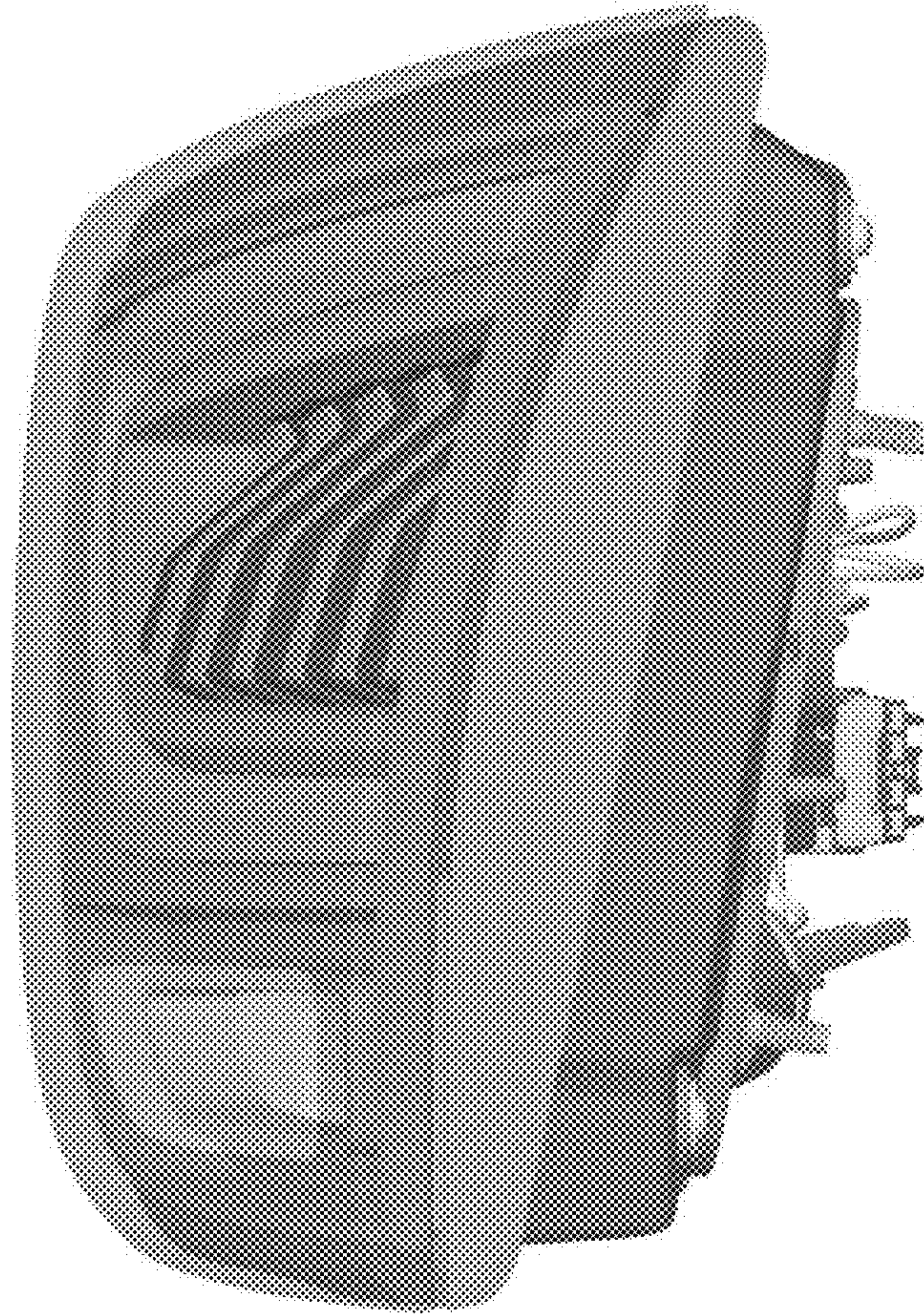




1.4

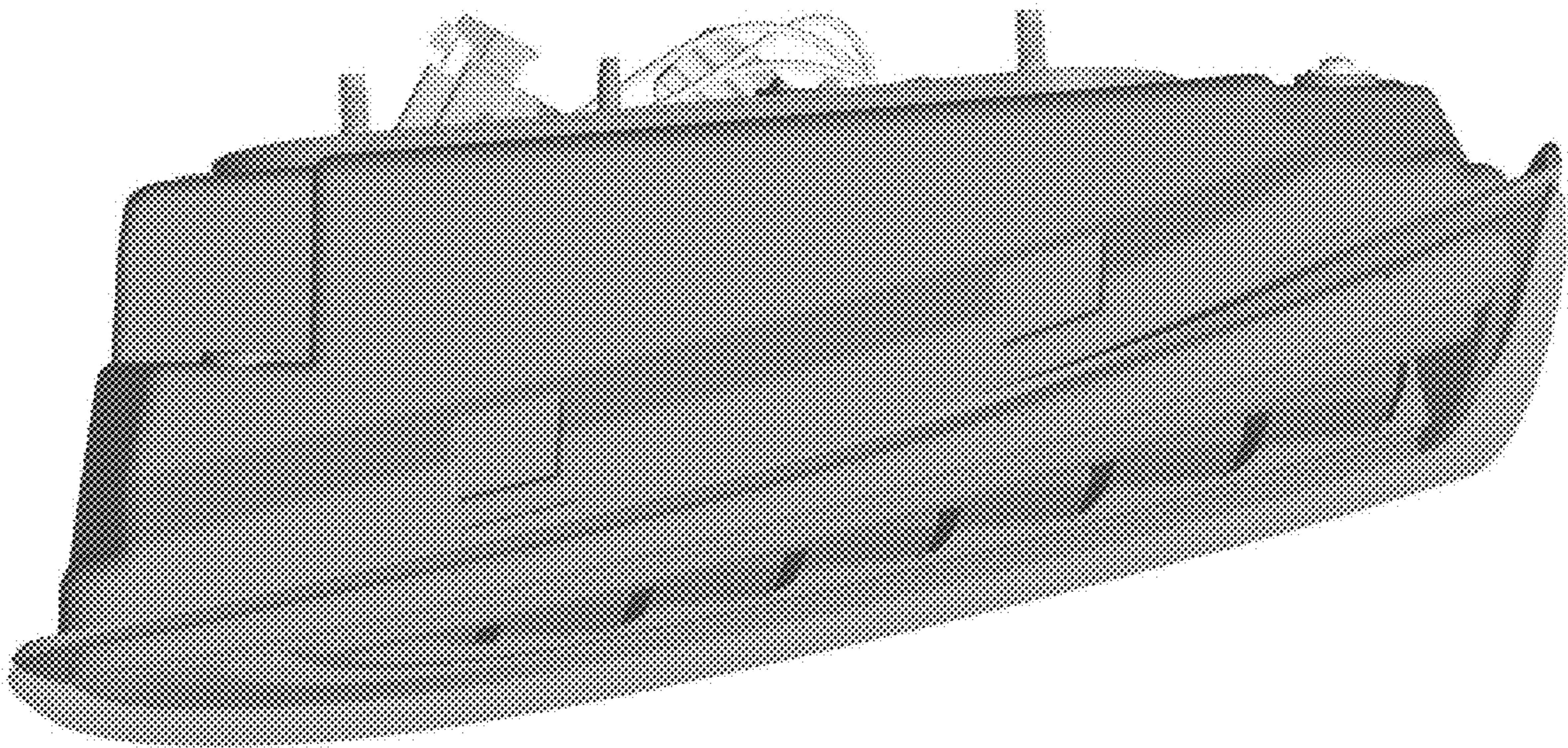


1.5





1.6





1.7

