



US00D857264S

(12) **United States Design Patent** (10) **Patent No.:** **US D857,264 S**
Goodrich et al. (45) **Date of Patent:** **** Aug. 20, 2019**

(54) **TAIL LAMP**

(56) **References Cited**

(71) Applicants: **Stephen Goodrich**, Clawson, MI (US);
Brian Nielander, Royal Oak, MI (US);
Mark T. Allen, Oxford, MI (US);
Alexander McGowen, Goodrich, MI (US)

U.S. PATENT DOCUMENTS

D289,086	S	*	3/1987	Yabata	D26/29
D360,042	S	*	7/1995	Taylor	D26/28
D413,174	S	*	8/1999	Mayer	D26/28
D599,043	S	*	8/2009	Dooley	D26/28
D690,039	S	*	9/2013	Wilson	D26/28
D756,008	S	*	5/2016	Wilson	D26/31
D765,285	S	*	8/2016	Lai	D26/28

(72) Inventors: **Stephen Goodrich**, Clawson, MI (US);
Brian Nielander, Royal Oak, MI (US);
Mark T. Allen, Oxford, MI (US);
Alexander McGowen, Goodrich, MI (US)

* cited by examiner

Primary Examiner — Marcus A Jackson

(73) Assignee: **FCA US LLC**, Auburn Hills, MI (US)

(74) *Attorney, Agent, or Firm* — Ralph E. Smith

(**) Term: **15 Years**

(57) **CLAIM**

(21) Appl. No.: **29/661,890**

The ornamental design for a tail lamp, as shown and described.

(22) Filed: **Aug. 31, 2018**

DESCRIPTION

Related U.S. Application Data

(63) Continuation-in-part of application No. 29/616,449, filed on Sep. 6, 2017, now Pat. No. Des. 840,271.

FIG. 1 is a front perspective view of a tail lamp showing our new design;

(51) **LOC (12) Cl.** **26-06**

FIG. 2 is a rear perspective view thereof;

(52) **U.S. Cl.**

FIG. 3 is a side view thereof;

USPC **D26/28**

FIG. 4 is a top view thereof;

(58) **Field of Classification Search**

USPC D26/28-36, 139

FIG. 5 is a back view thereof;

CPC F21S 48/00; F21S 48/10; F21S 48/115;

FIG. 6 is a front view thereof; and,

F21S 48/225; F21S 48/1233; F21S

FIG. 7 is a bottom view thereof.

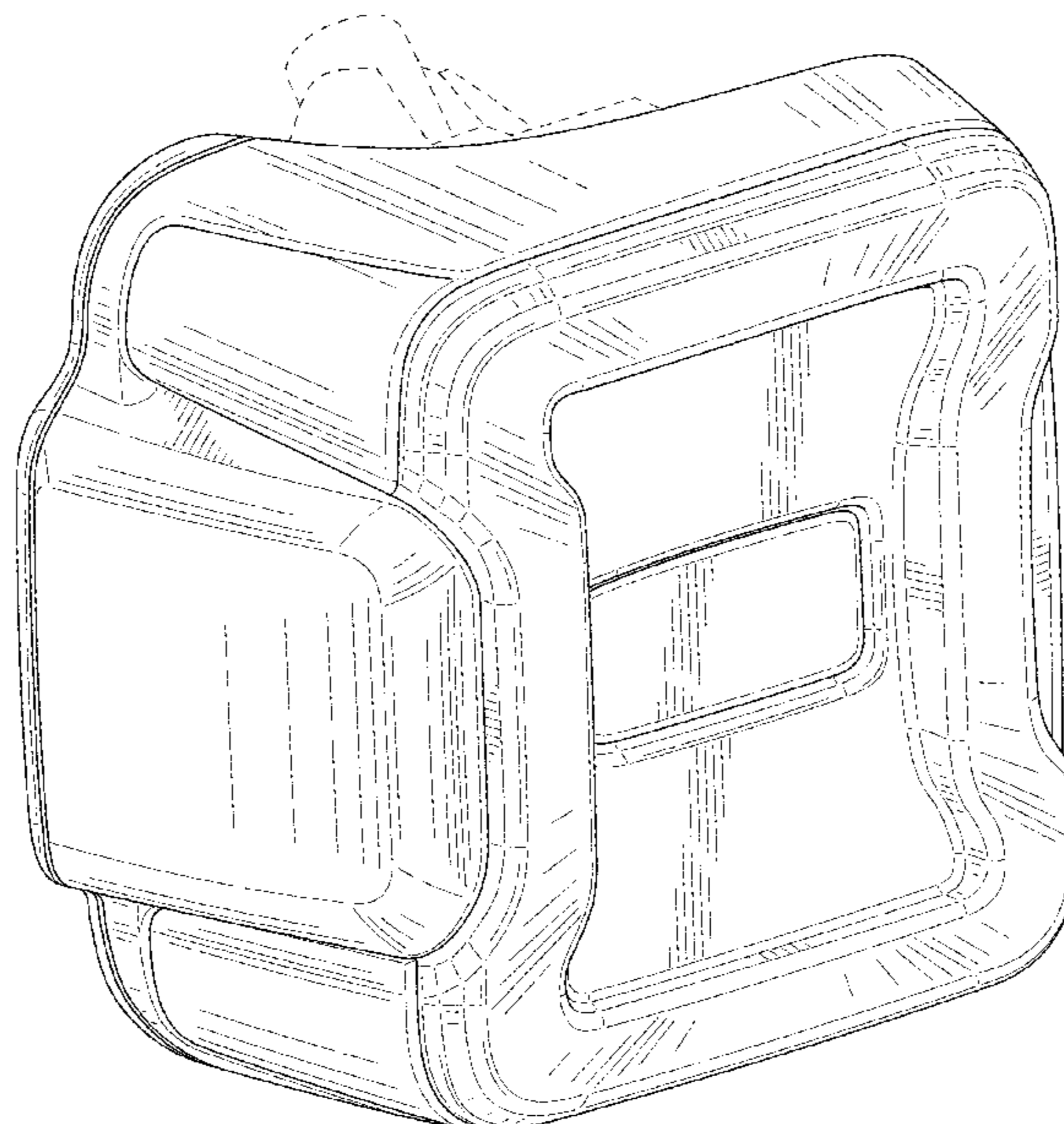
48/1266; F21S 48/1388; F21S 48/2268;

It will be understood that the broken lines shown in the drawings illustrate portions of the tail lamp that form no part of claimed design.

F21V 13/00; F21V 21/04; F21V 29/004

See application file for complete search history.

1 Claim, 7 Drawing Sheets



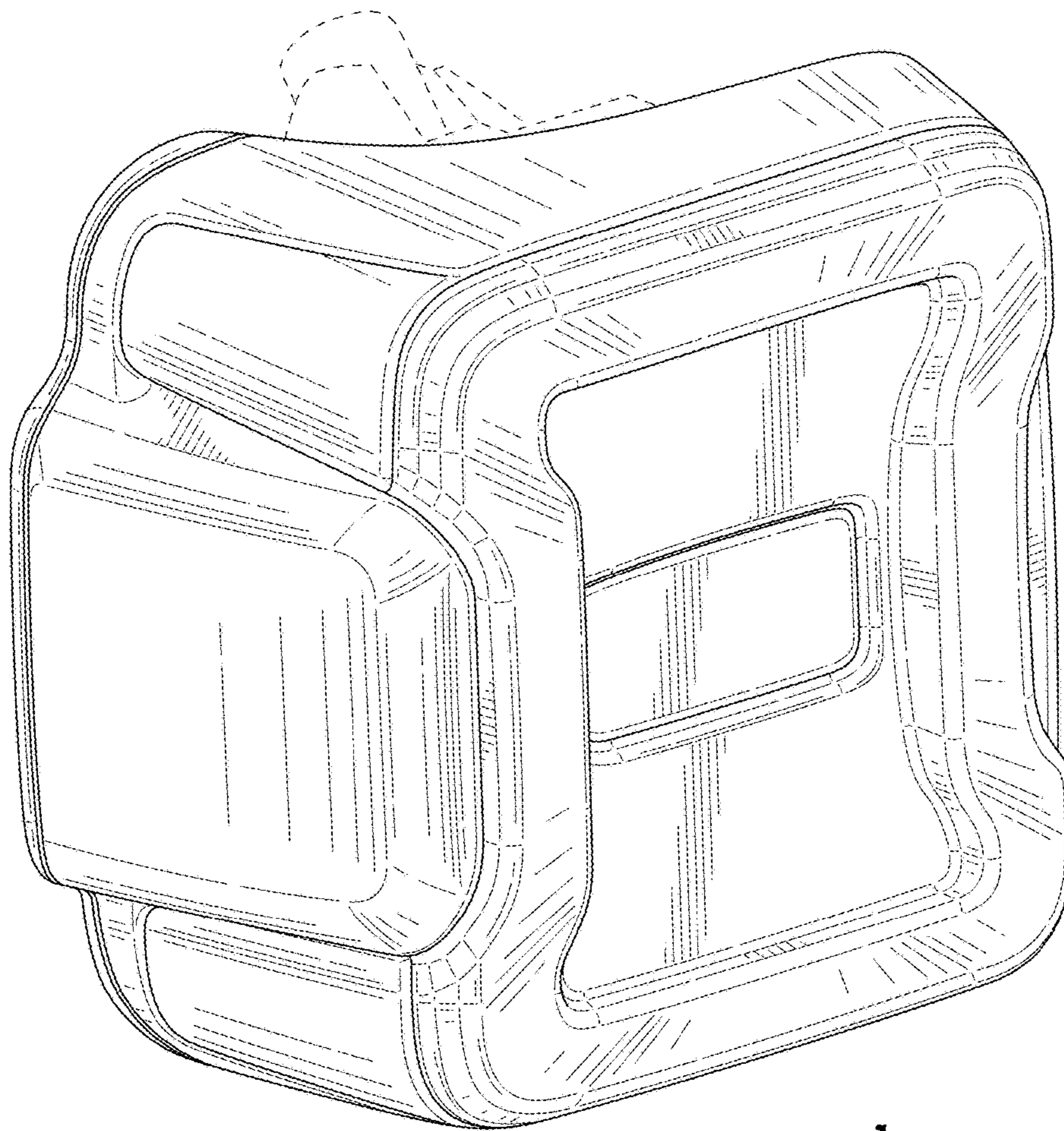


FIG. 1

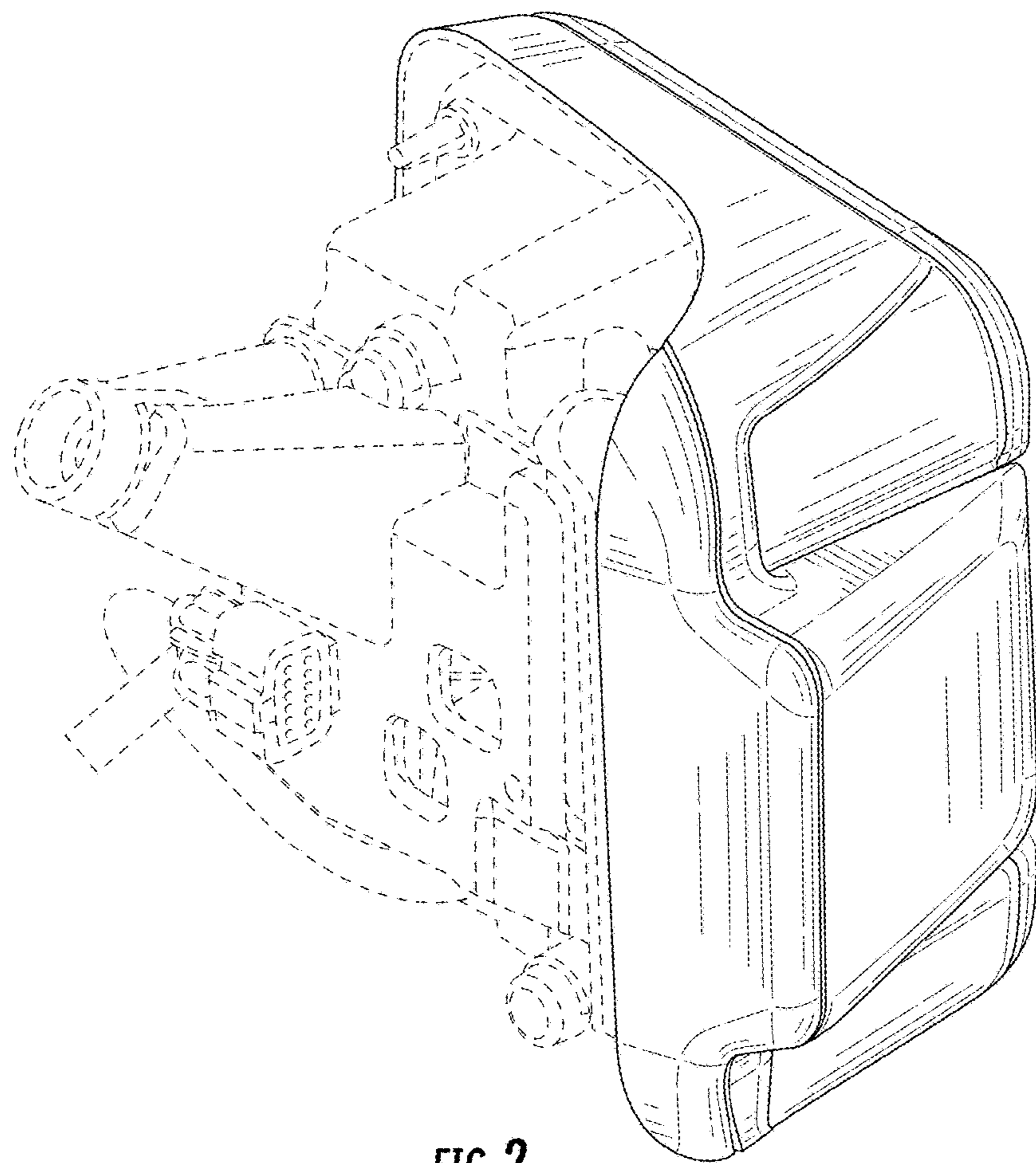


FIG. 2

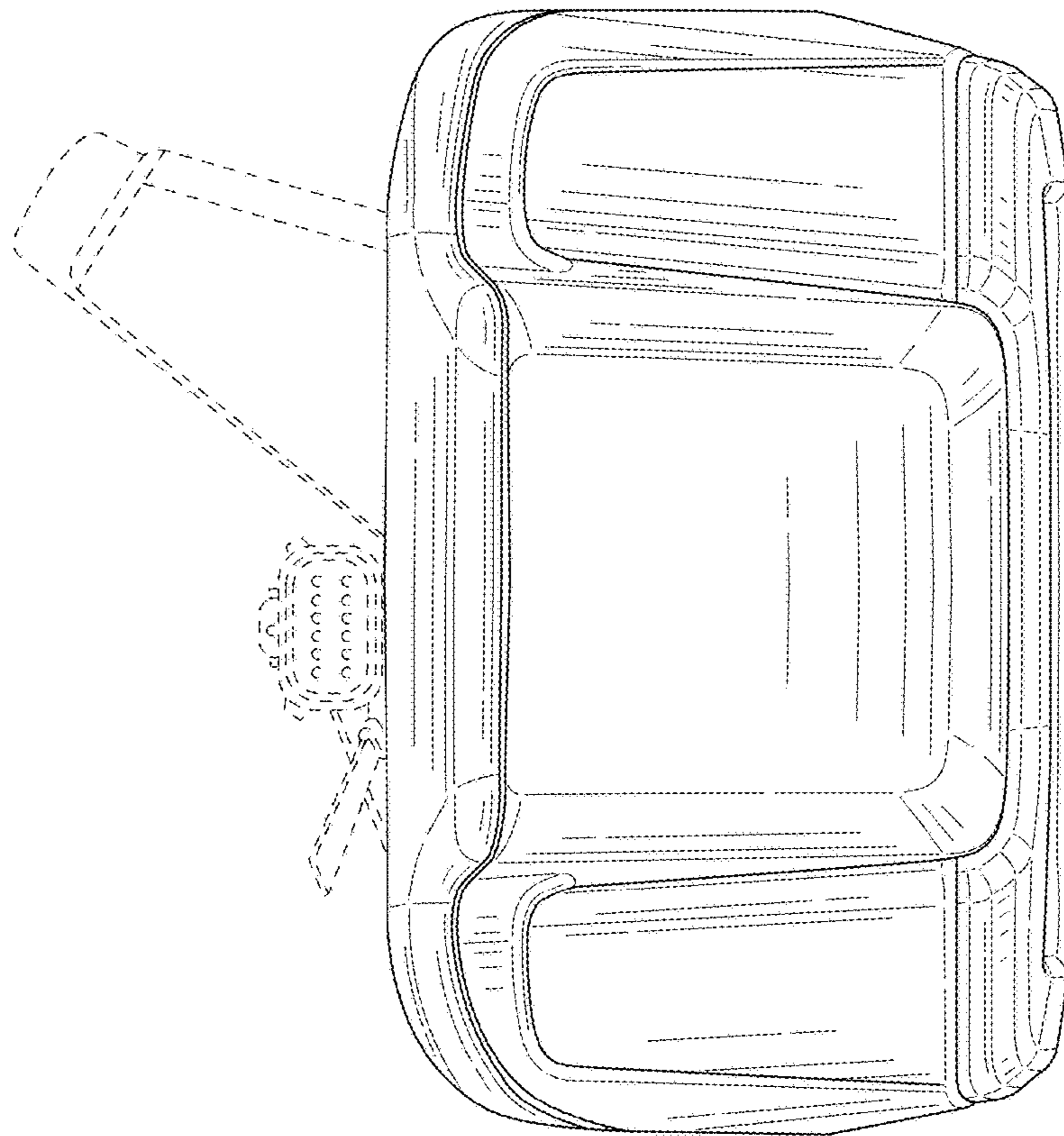


FIG. 3

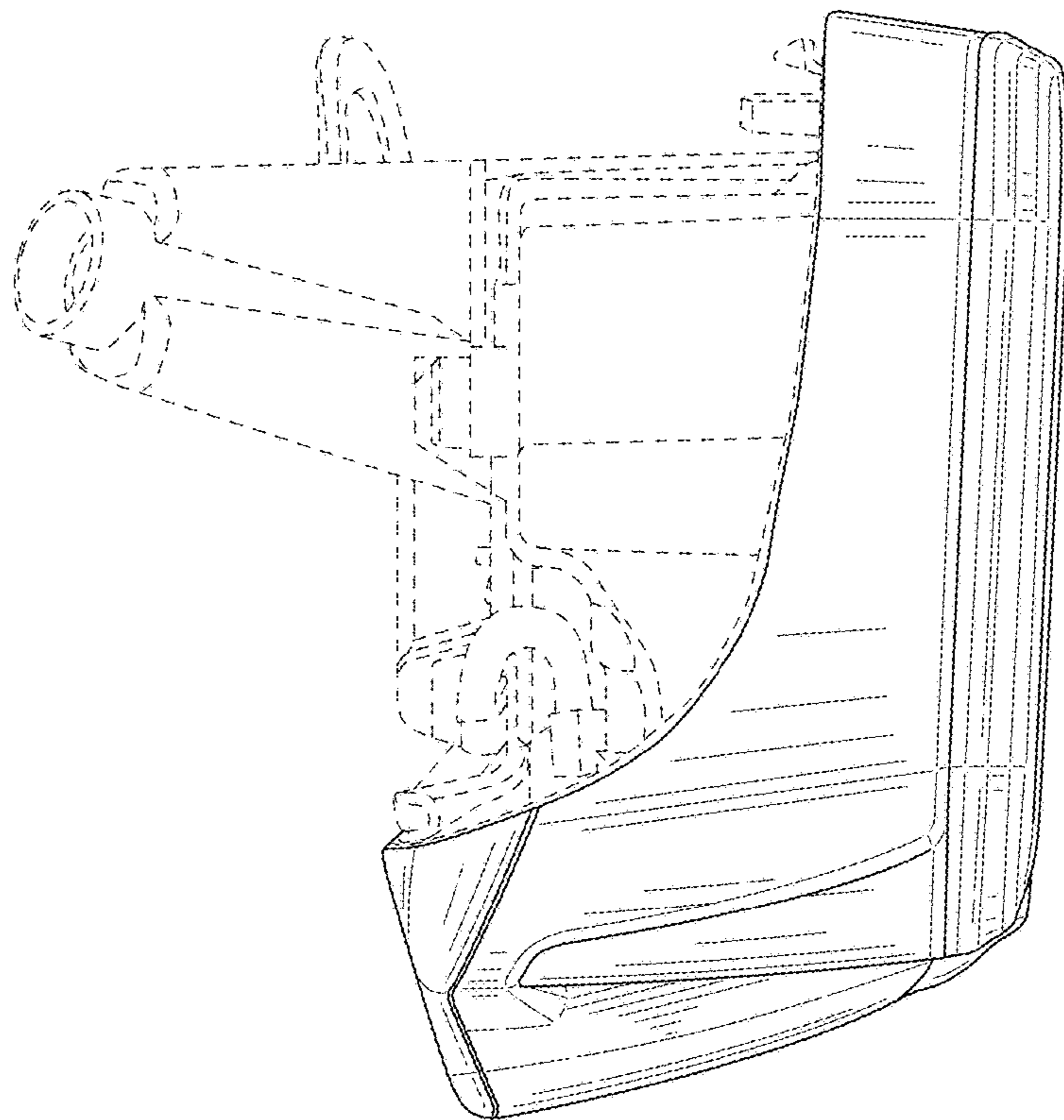


FIG. 4

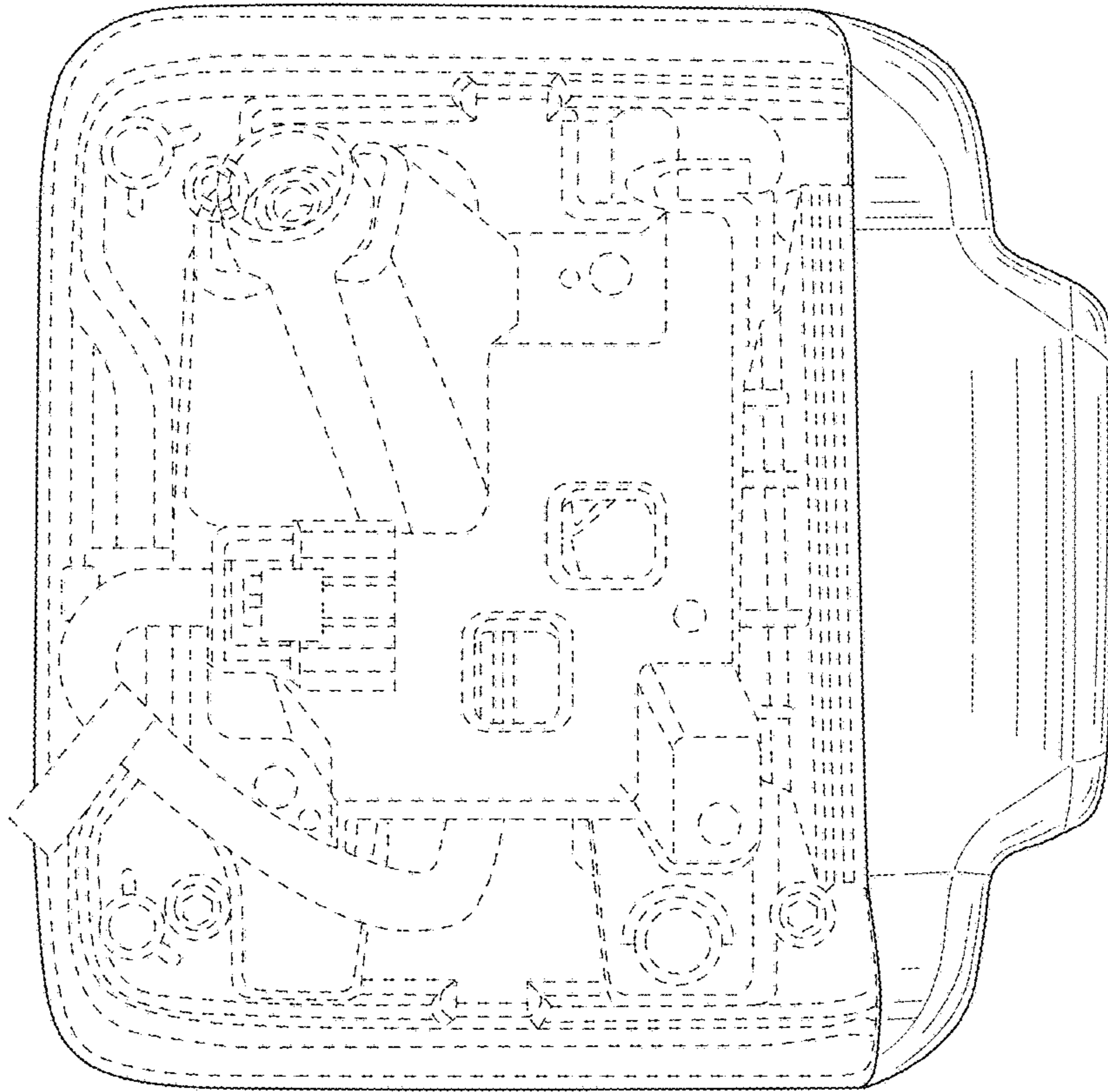


FIG. 5

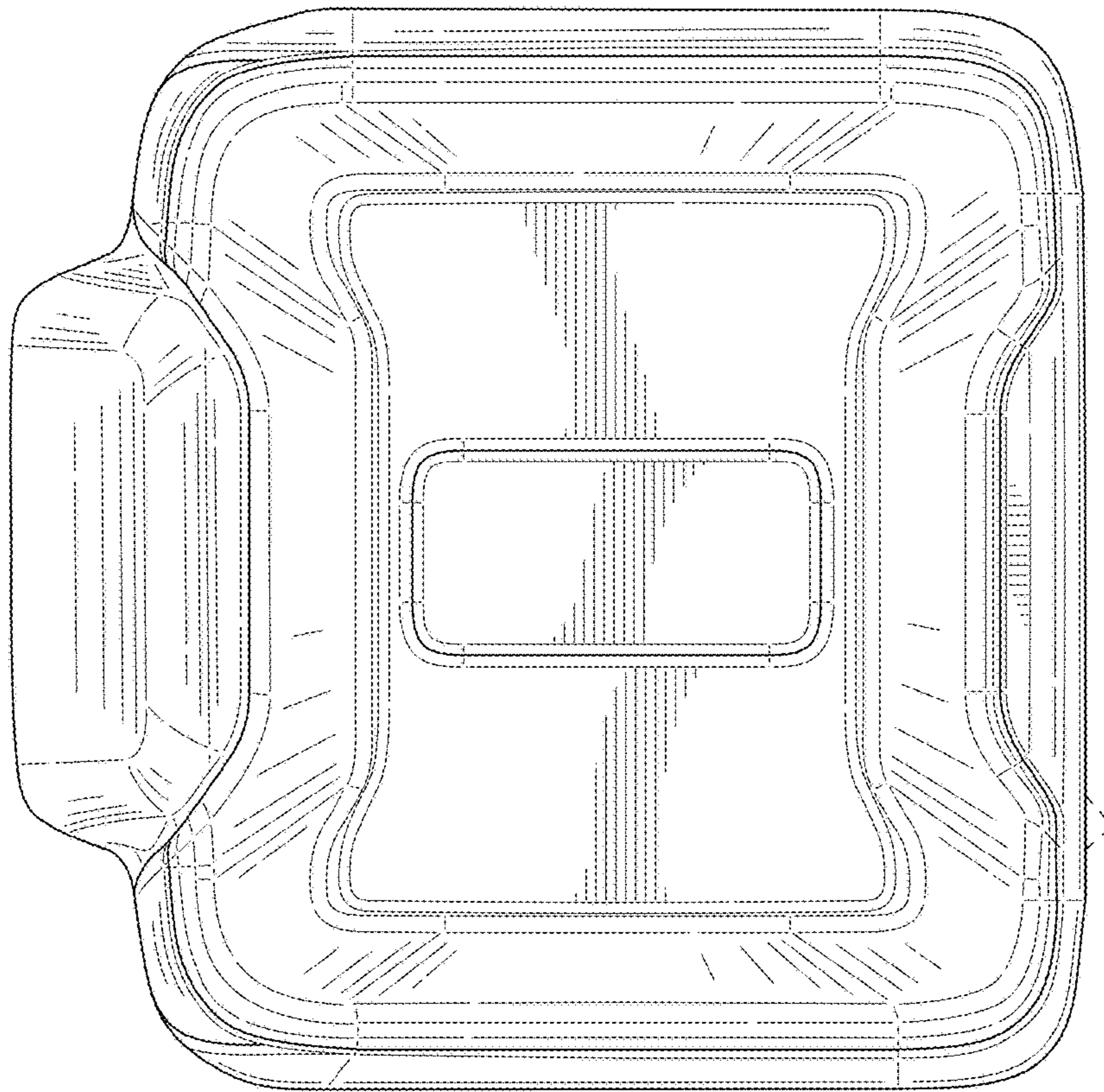


FIG. 6

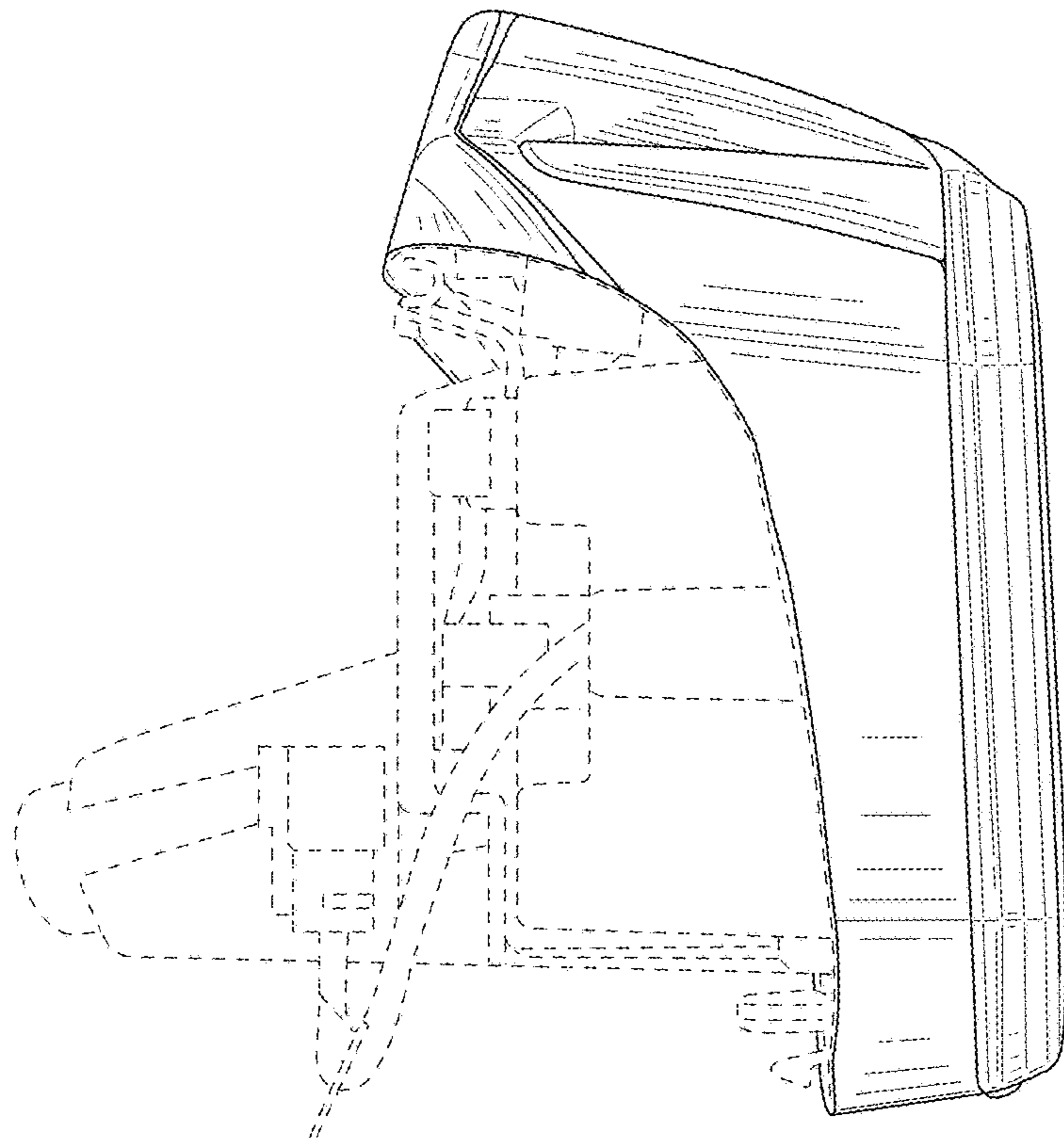


FIG. 7