



US00D857263S

(12) **United States Design Patent** (10) **Patent No.:** **US D857,263 S**  
**Goodrich et al.** (45) **Date of Patent:** **\*\* Aug. 20, 2019**

(54) **TAIL LAMP**

(71) Applicants: **Stephen Goodrich**, Clawson, MI (US);  
**Brian Nielander**, Royal Oak, MI (US);  
**Mark T. Allen**, Oxford, MI (US);  
**Alexander McGowen**, Goodrich, MI (US)

(72) Inventors: **Stephen Goodrich**, Clawson, MI (US);  
**Brian Nielander**, Royal Oak, MI (US);  
**Mark T. Allen**, Oxford, MI (US);  
**Alexander McGowen**, Goodrich, MI (US)

(73) Assignee: **FCA US LLC**, Auburn Hills, MI (US)

(\*\*) Term: **15 Years**

(21) Appl. No.: **29/661,889**

(22) Filed: **Aug. 31, 2018**

**Related U.S. Application Data**

(63) Continuation-in-part of application No. 29/616,449, filed on Sep. 6, 2017, now Pat. No. Des. 840,271.

(51) **LOC (12) Cl.** ..... **26-06**

(52) **U.S. Cl.**  
USPC ..... **D26/28**

(58) **Field of Classification Search**  
USPC ..... D26/28-36, 139  
CPC ..... F21S 48/00; F21S 48/10; F21S 48/115;  
F21S 48/225; F21S 48/1233; F21S 48/1266; F21S 48/1388; F21S 48/2268;  
F21V 13/00; F21V 21/04; F21V 29/004  
See application file for complete search history.

(56) **References Cited**

U.S. PATENT DOCUMENTS

D289,086	S	*	3/1987	Yabata	.....	D26/29
D360,042	S	*	7/1995	Taylor	.....	D26/28
D413,174	S	*	8/1999	Mayer	.....	D26/28
D540,967	S	*	4/2007	Rogers	.....	D26/28
D690,039	S	*	9/2013	Wilson	.....	D26/28
D756,008	S	*	5/2016	Wilson	.....	D26/31
D765,285	S	*	8/2016	Lai	.....	D26/28

\* cited by examiner

*Primary Examiner* — Marcus A Jackson

(74) *Attorney, Agent, or Firm* — Ralph E. Smith

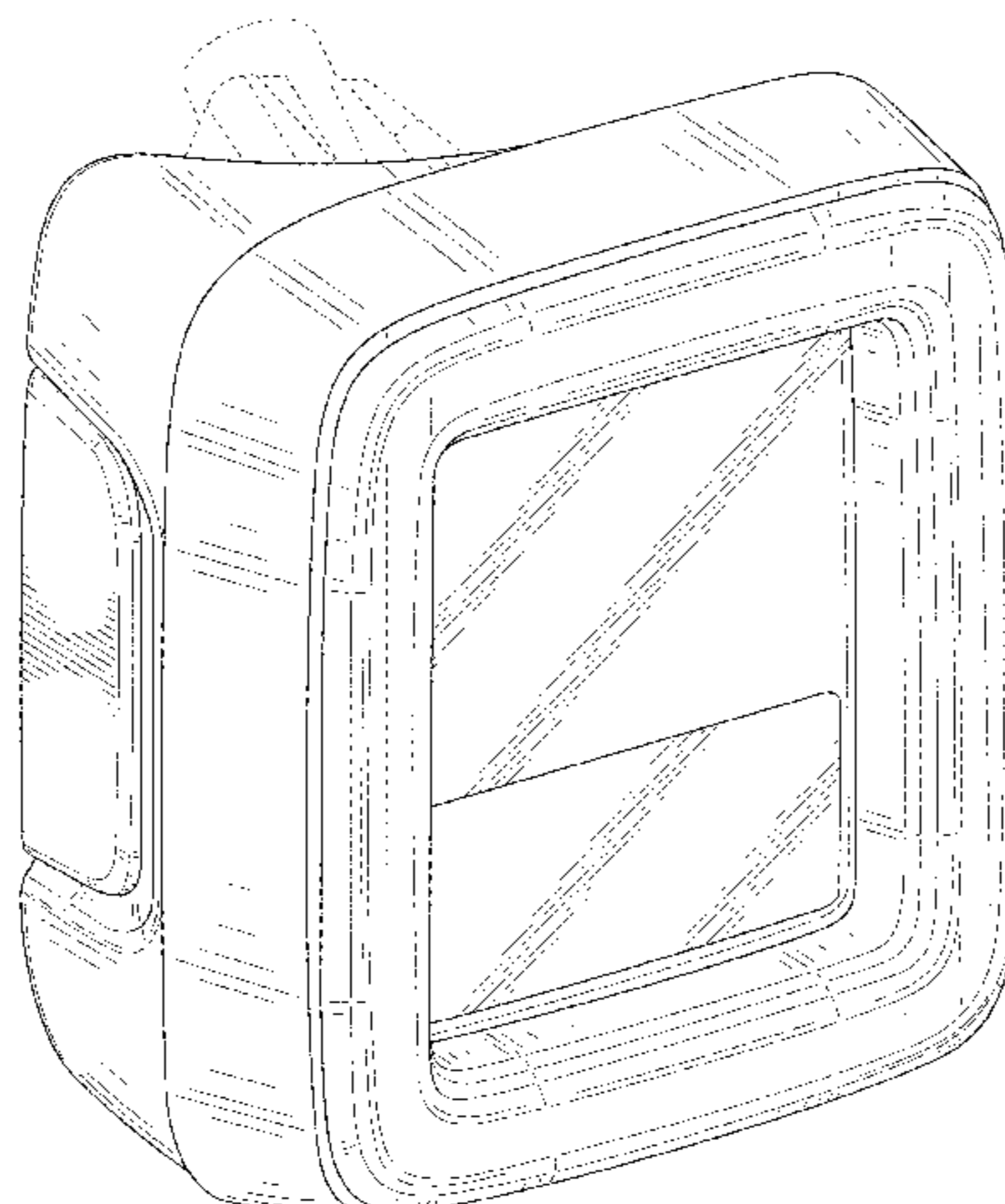
(57) **CLAIM**

The ornamental design for a tail lamp, as shown and described.

**DESCRIPTION**

FIG. 1 is a front perspective view of a tail lamp showing our new design;  
FIG. 2 is a rear perspective view thereof;  
FIG. 3 is a back view thereof;  
FIG. 4 is a front view thereof;  
FIG. 5 is a side view thereof;  
FIG. 6 is a top view thereof; and,  
FIG. 7 is a bottom view thereof.  
It will be understood that the broken lines shown in the drawings illustrate portions of the tail lamp that form no part of claimed design.

**1 Claim, 7 Drawing Sheets**



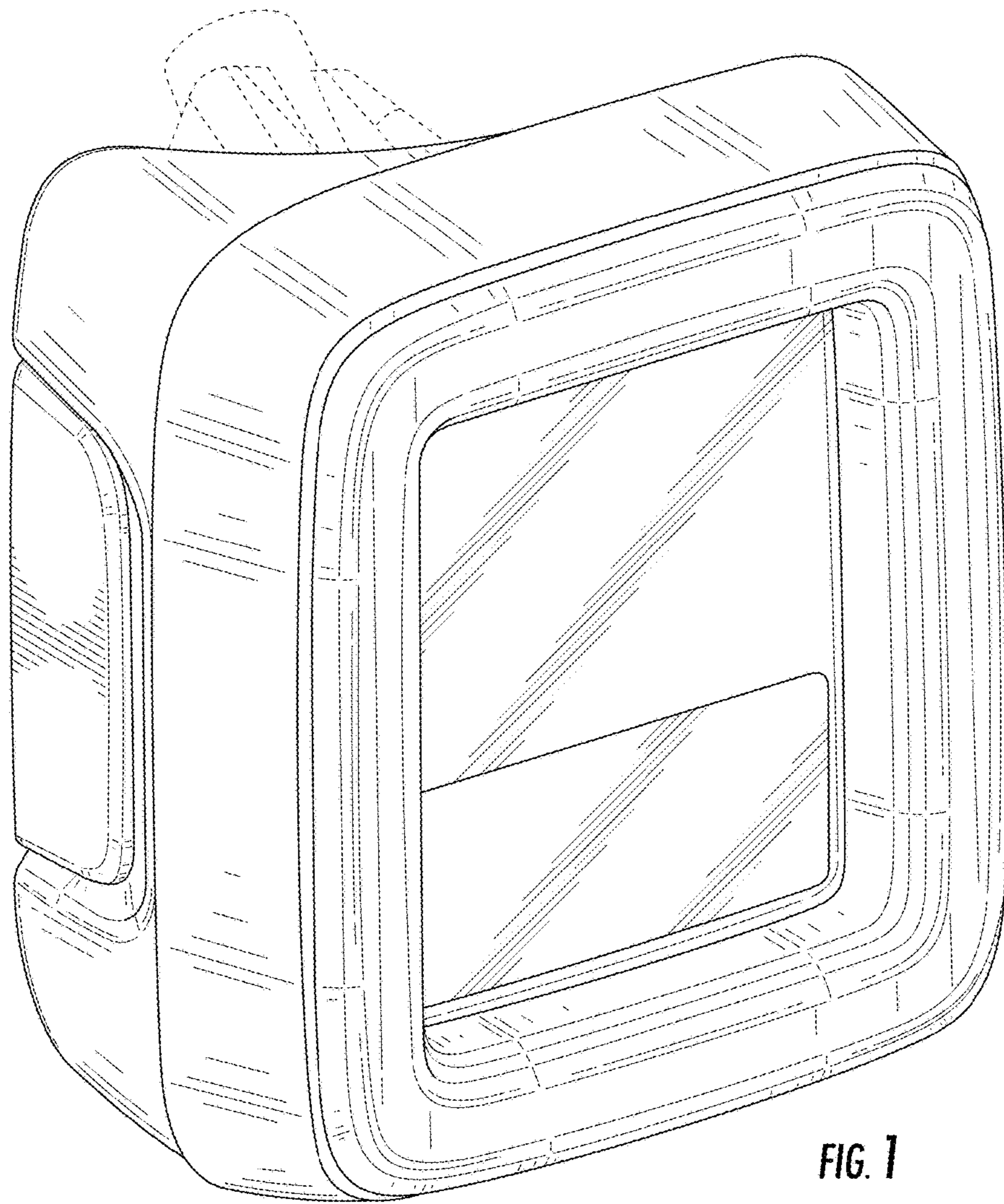


FIG. 1

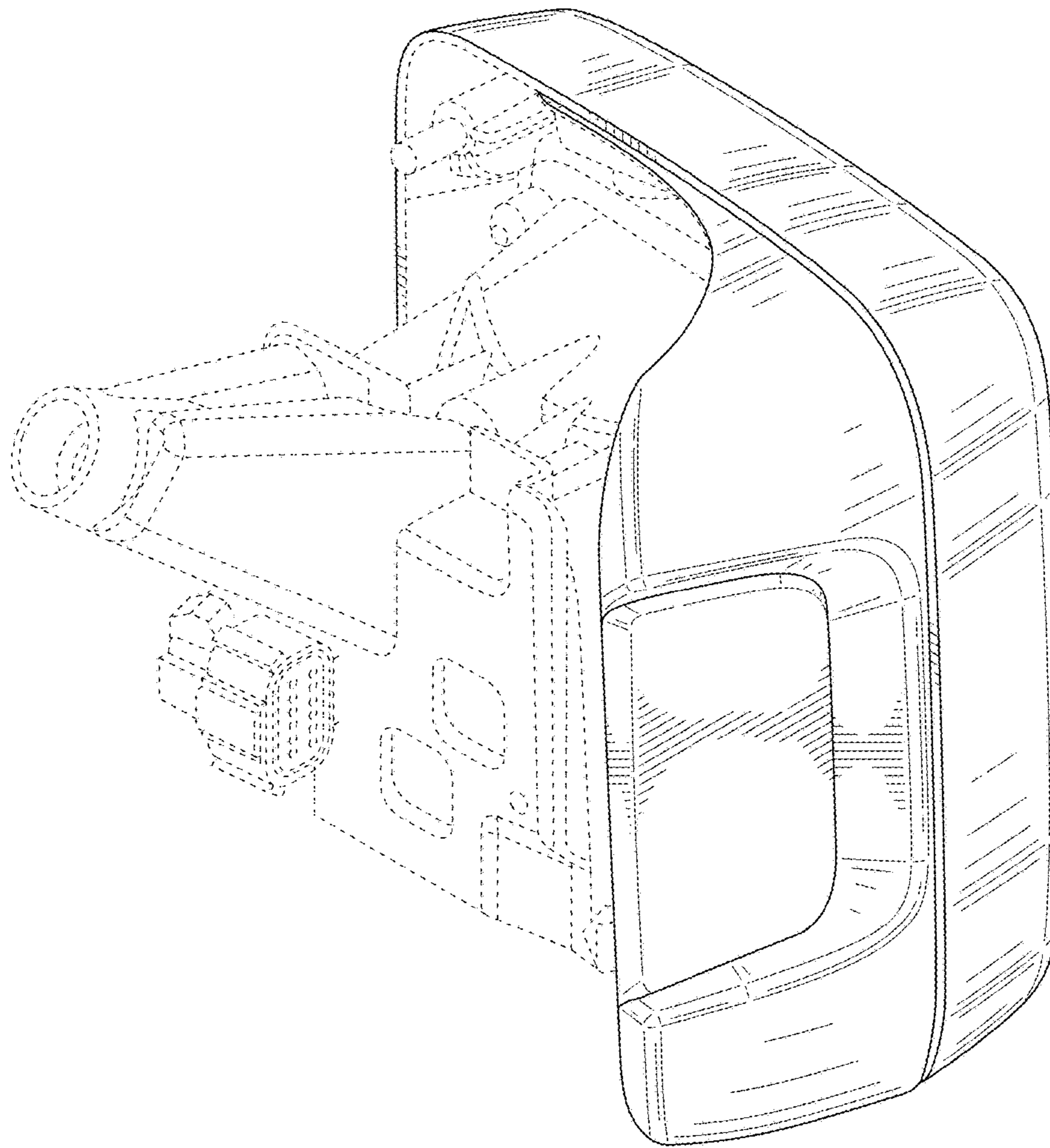


FIG. 2

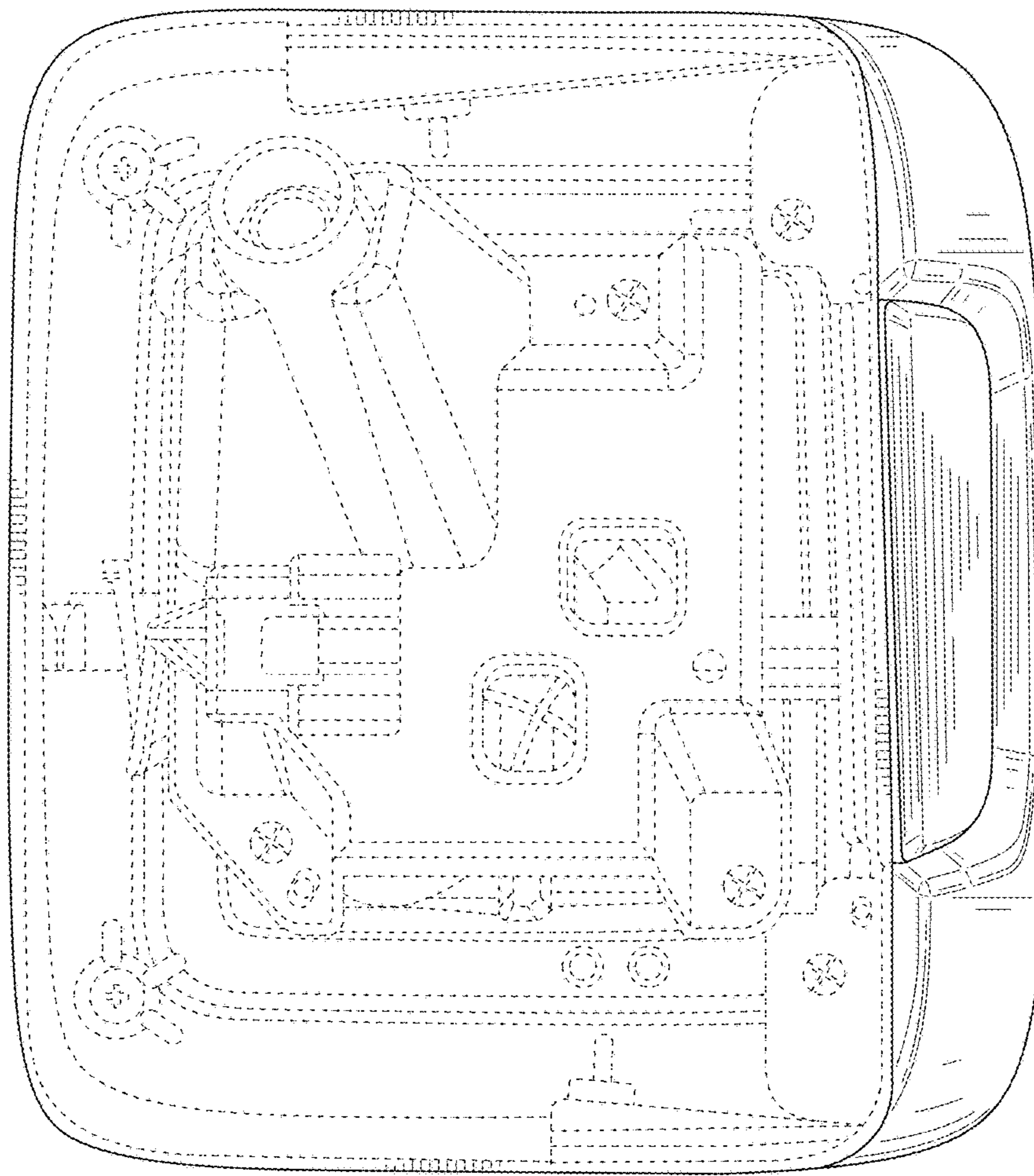


FIG. 3

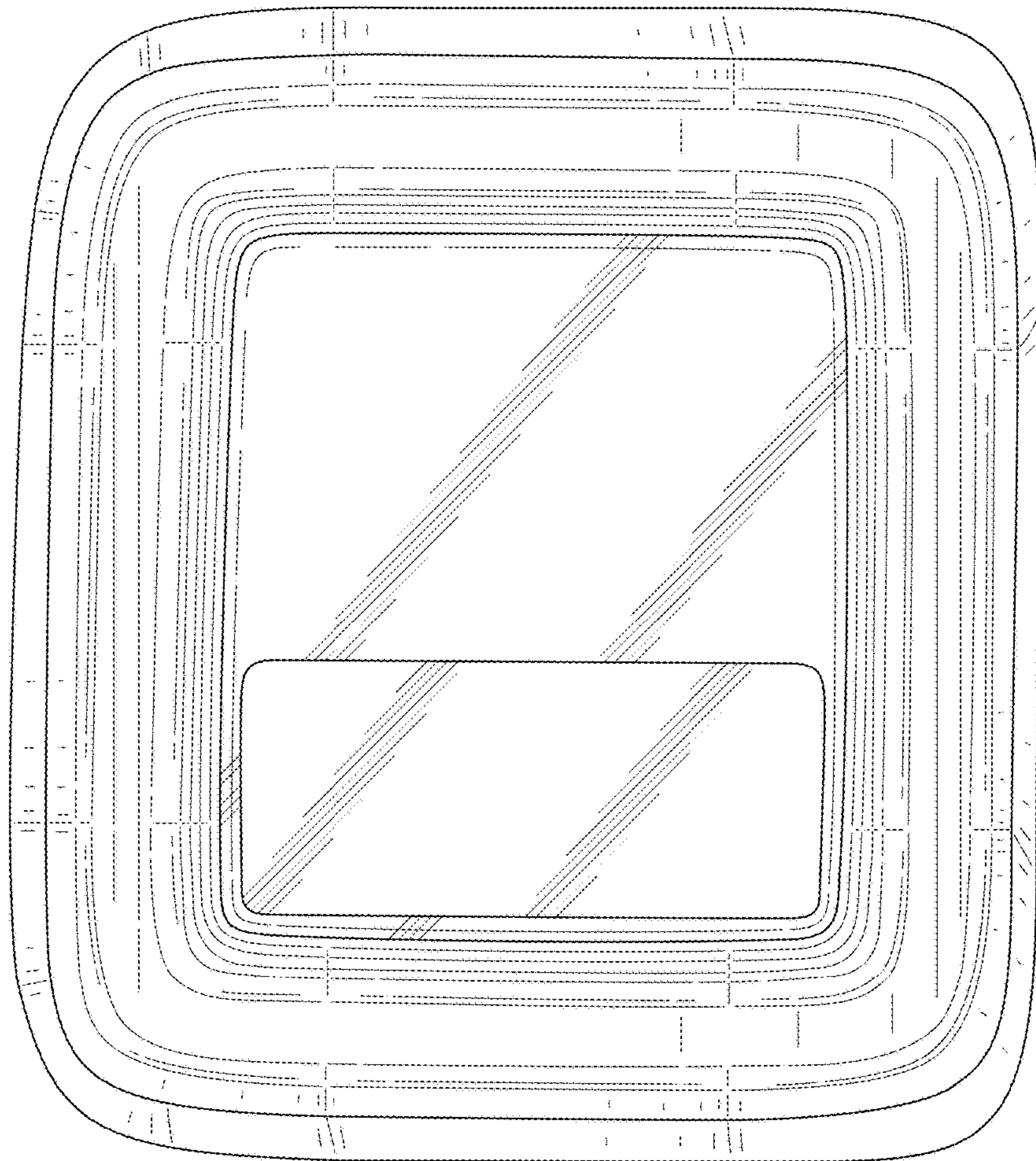


FIG. 4

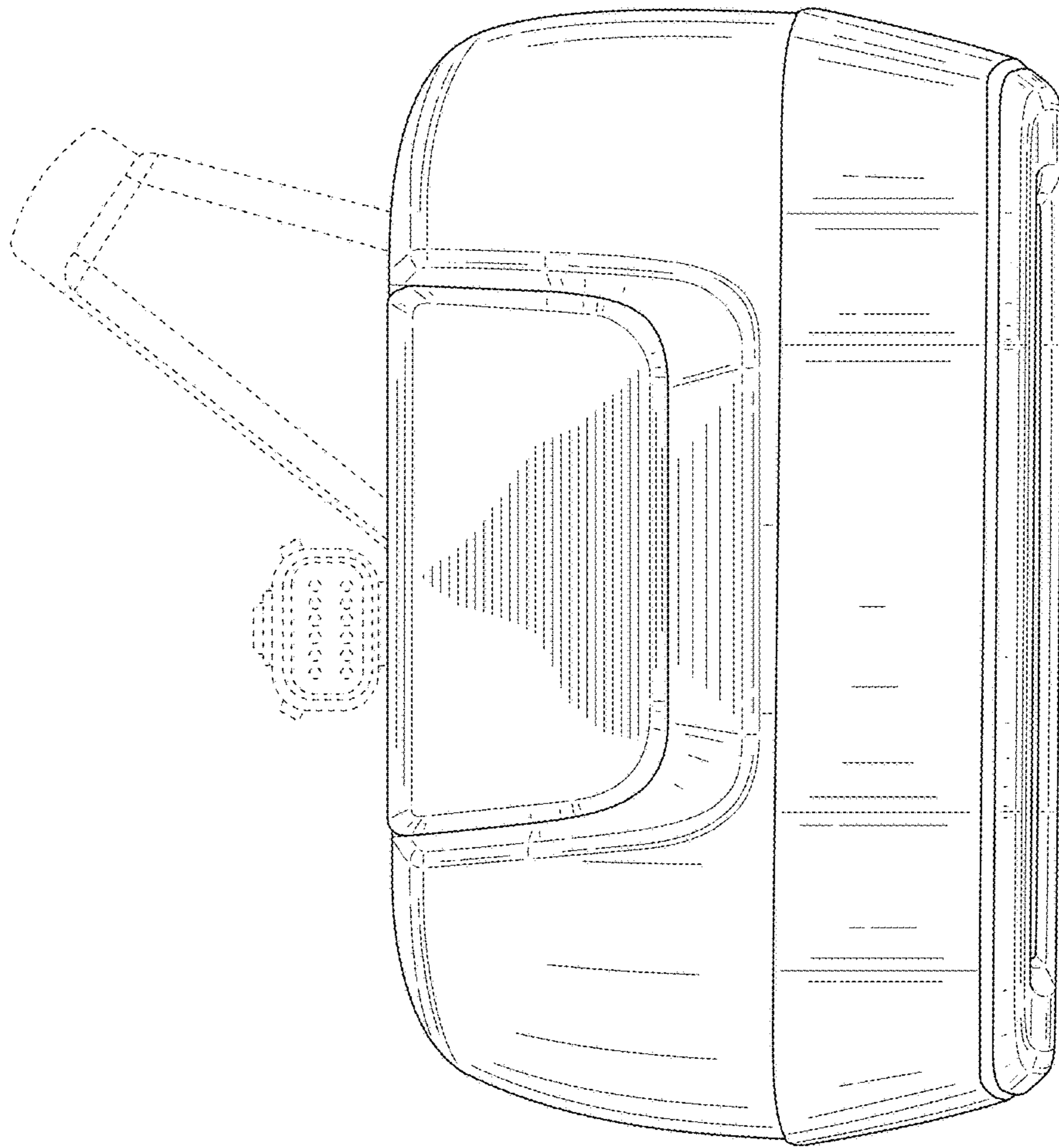


FIG. 5

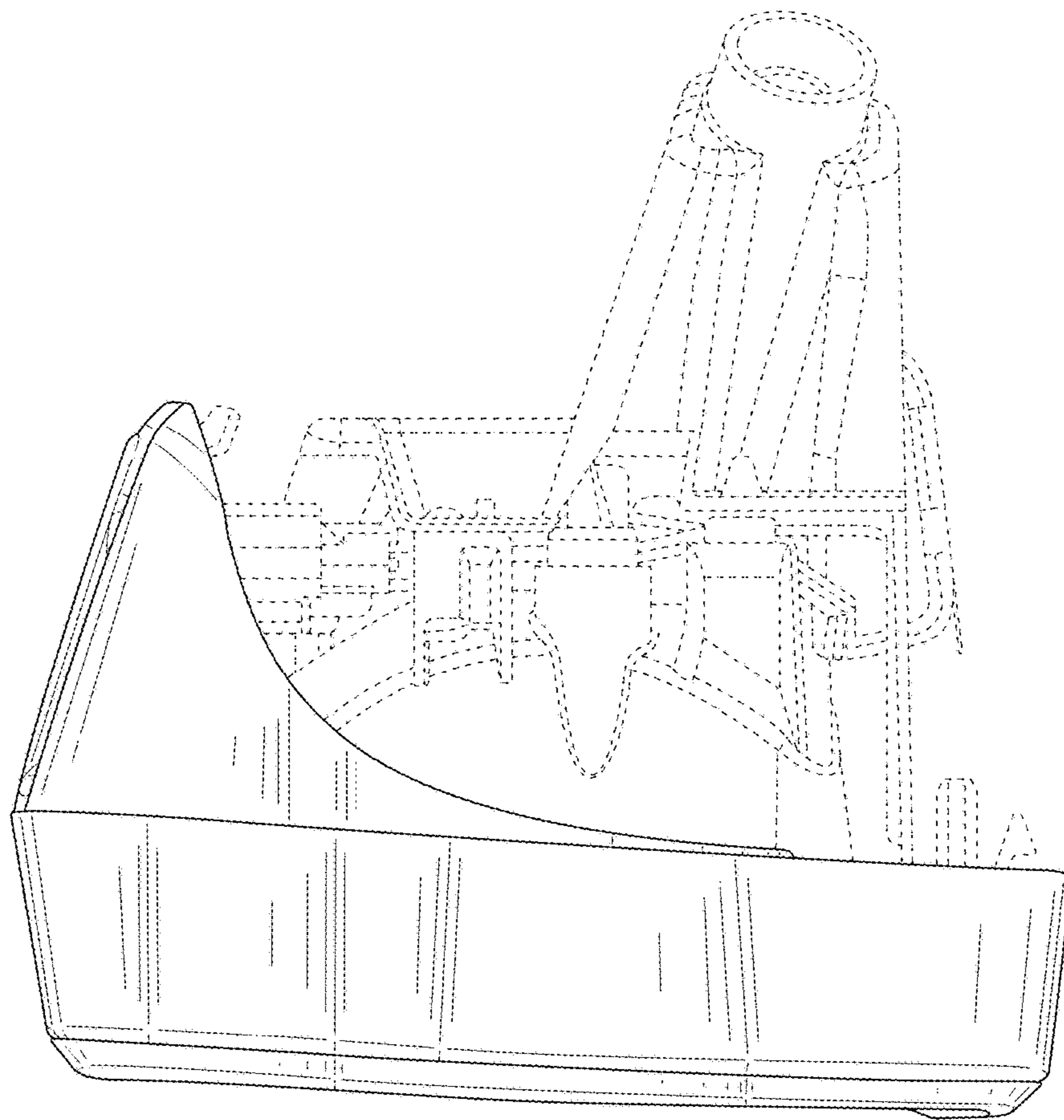


FIG. 6

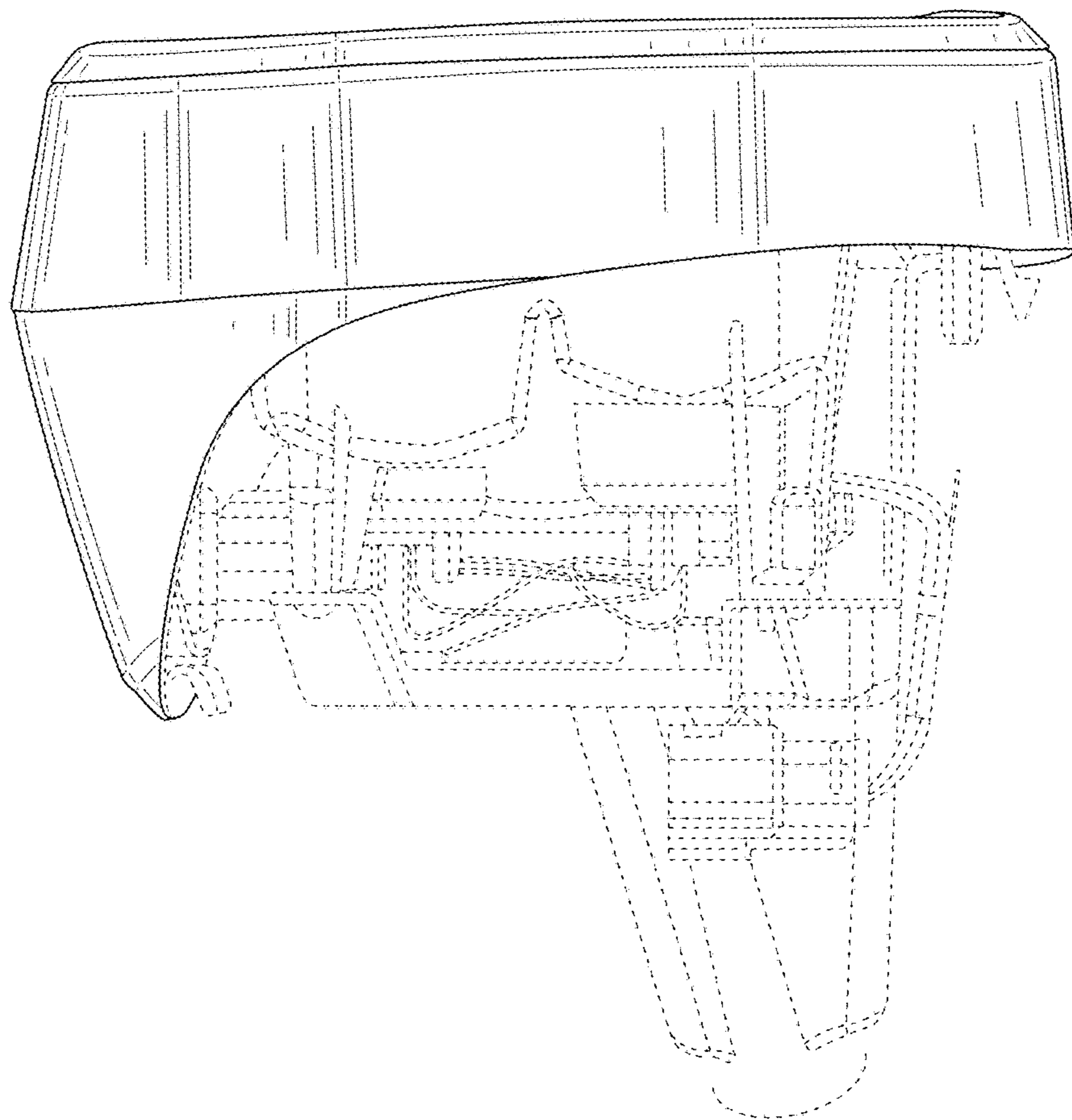


FIG. 7