



US00D857258S

(12) **United States Design Patent** (10) **Patent No.:** **US D857,258 S**
Lin (45) **Date of Patent:** **** Aug. 20, 2019**

(54) **AUTOMOBILE HEADLIGHT**
(71) Applicant: **Chi-Chung Lin**, Hsinchu (TW)
(72) Inventor: **Chi-Chung Lin**, Hsinchu (TW)
(**) Term: **15 Years**
(21) Appl. No.: **29/627,005**
(22) Filed: **Nov. 21, 2017**
(51) **LOC (12) Cl.** **26-06**
(52) **U.S. Cl.**
USPC **D26/28**
(58) **Field of Classification Search**
USPC D12/86, 90-92, 114, 163, 169, 171-173,
D12/181, 190, 196, 197, 199, 400;
D17/1, 222; D26/28-36
CPC .. B62J 6/02; B62J 6/00; B60Q 3/0279; B60Q
3/104; B60Q 3/10408; B60Q 3/10466;
B60Q 3/12653; B60Q 3/128; F21S 48/00;
F21S 48/10; F21S 48/115; F21S 48/225;
F21S 48/1233; F21S 48/1266; F21S
48/1388; F21S 48/2268; F21V 21/04
See application file for complete search history.

(56) **References Cited**
U.S. PATENT DOCUMENTS
D504,734 S * 5/2005 Weng D26/28
D593,231 S * 5/2009 Koman D26/28
D642,711 S * 8/2011 Schneider D26/28

D703,847 S * 4/2014 MacKay D26/28
D749,246 S * 2/2016 Thole D26/28
D767,180 S * 9/2016 Lai D26/28
D769,478 S * 10/2016 Gorsten Schuenemann .. D26/28
D792,618 S * 7/2017 Wu D26/28
D792,619 S * 7/2017 Wu D26/28
D796,709 S * 9/2017 Lai D26/28
D812,274 S * 3/2018 Wu D26/28
D816,247 S * 4/2018 Wu D26/28
D832,476 S * 10/2018 Yang D26/28
D844,199 S * 3/2019 Lin D26/28
2014/0192548 A1* 7/2014 Kracker F21S 41/147
362/538

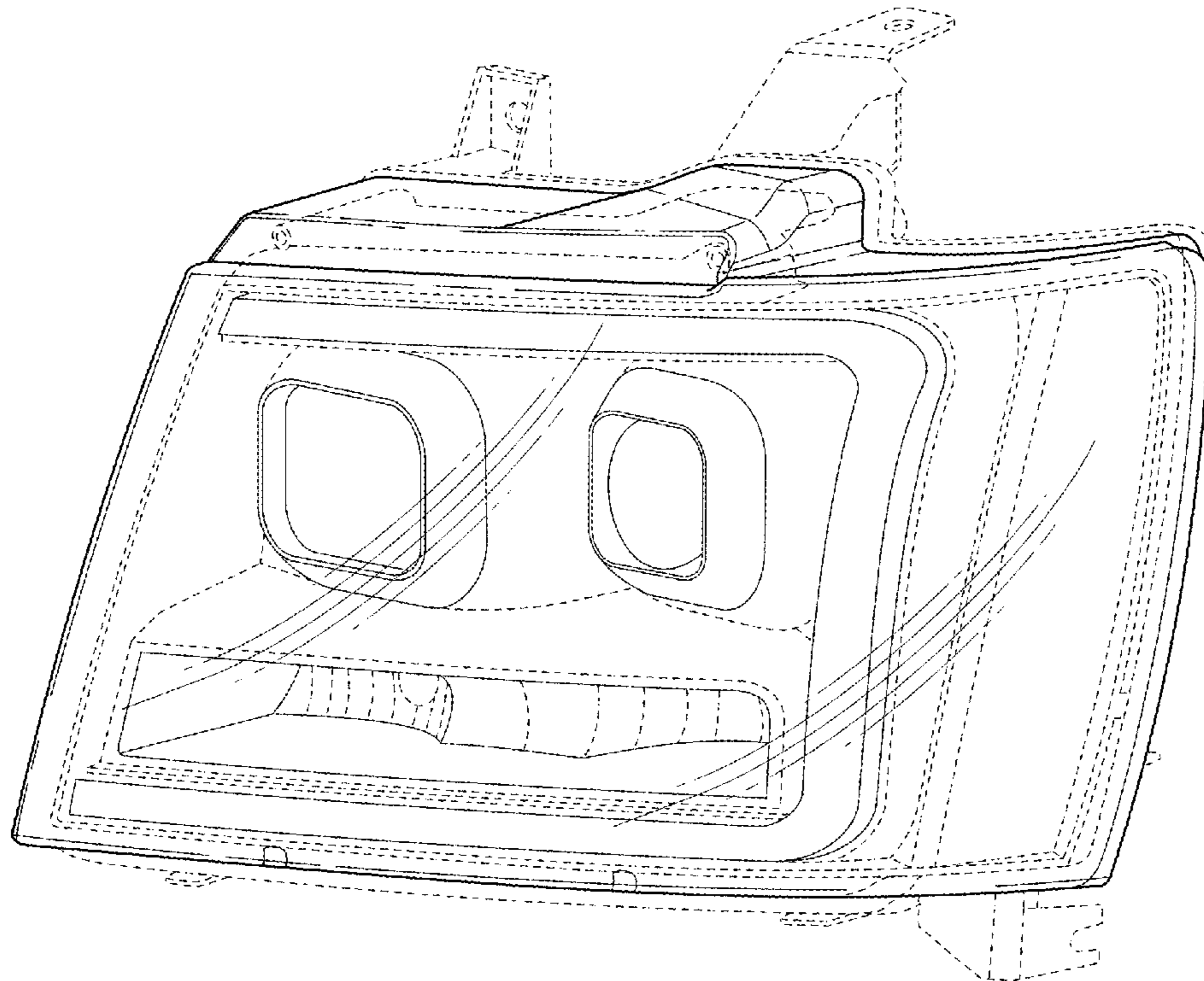
* cited by examiner

Primary Examiner — Philip S Hyder
Assistant Examiner — Cary M Robinson
(74) *Attorney, Agent, or Firm* — Alexander Chen, Esq.

(57) **CLAIM**
The ornamental design for an automobile headlight, as shown and described.

DESCRIPTION
FIG. 1 is a perspective view of an automobile brake light; FIG. 2 is a front view thereof; and, FIG. 3 is a side view thereof.
The broken lines illustrate portions of the automobile headlight in which the design is embodied and form no part of the claimed design. The drawings and descriptions represent the left side embodiment. The claim is also for a mirror image right side embodiment.

1 Claim, 3 Drawing Sheets



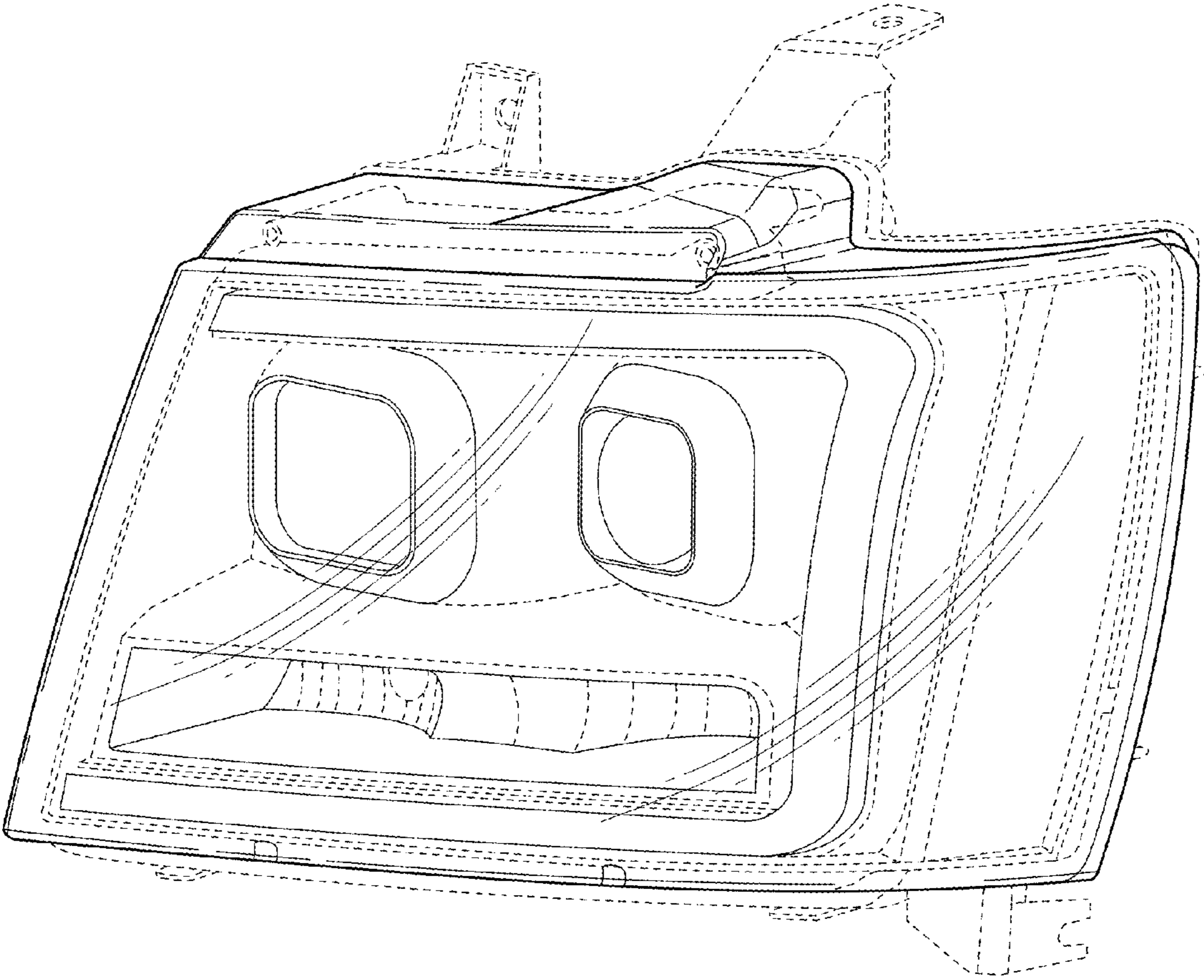


FIG. 1

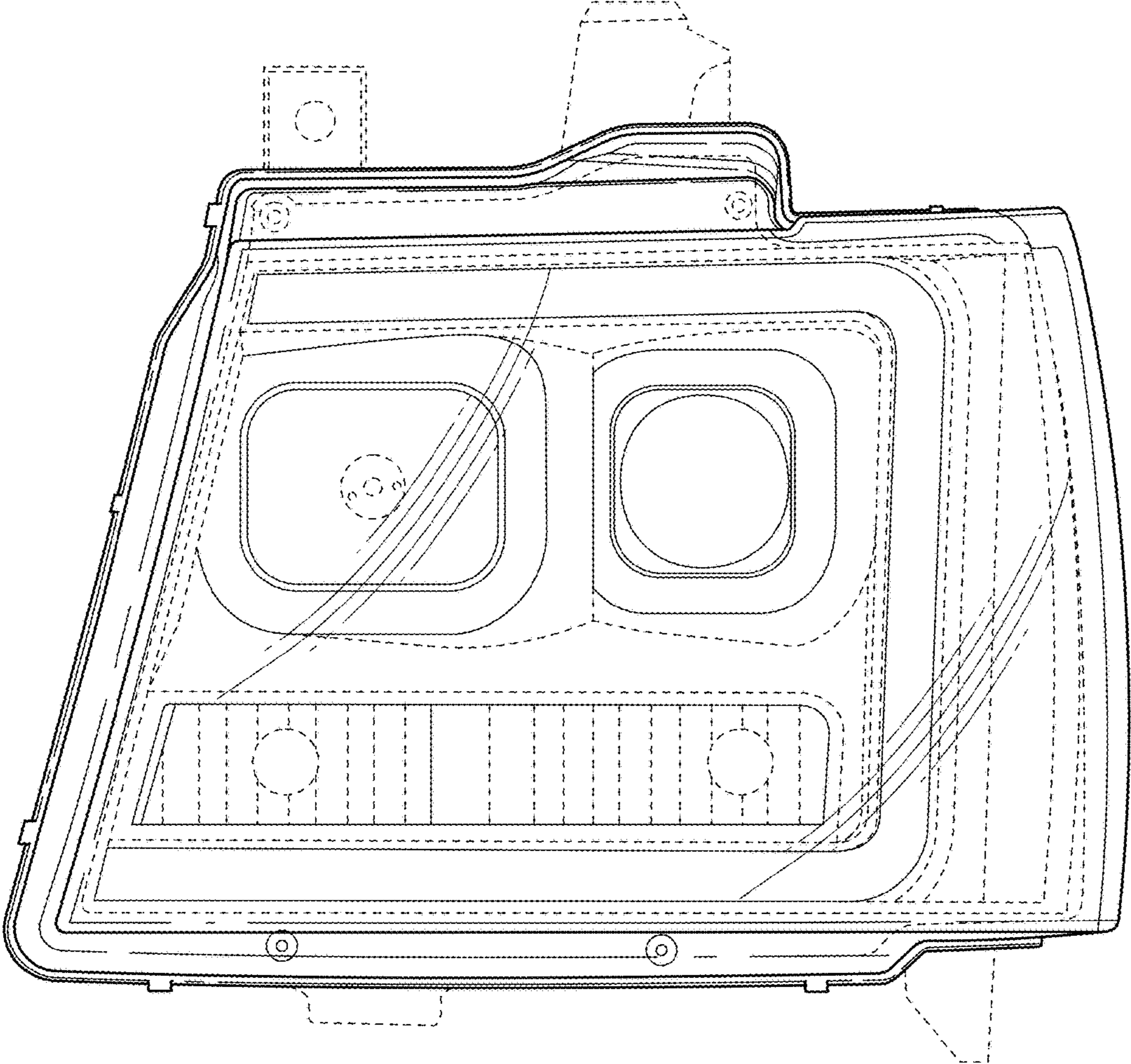


FIG. 2

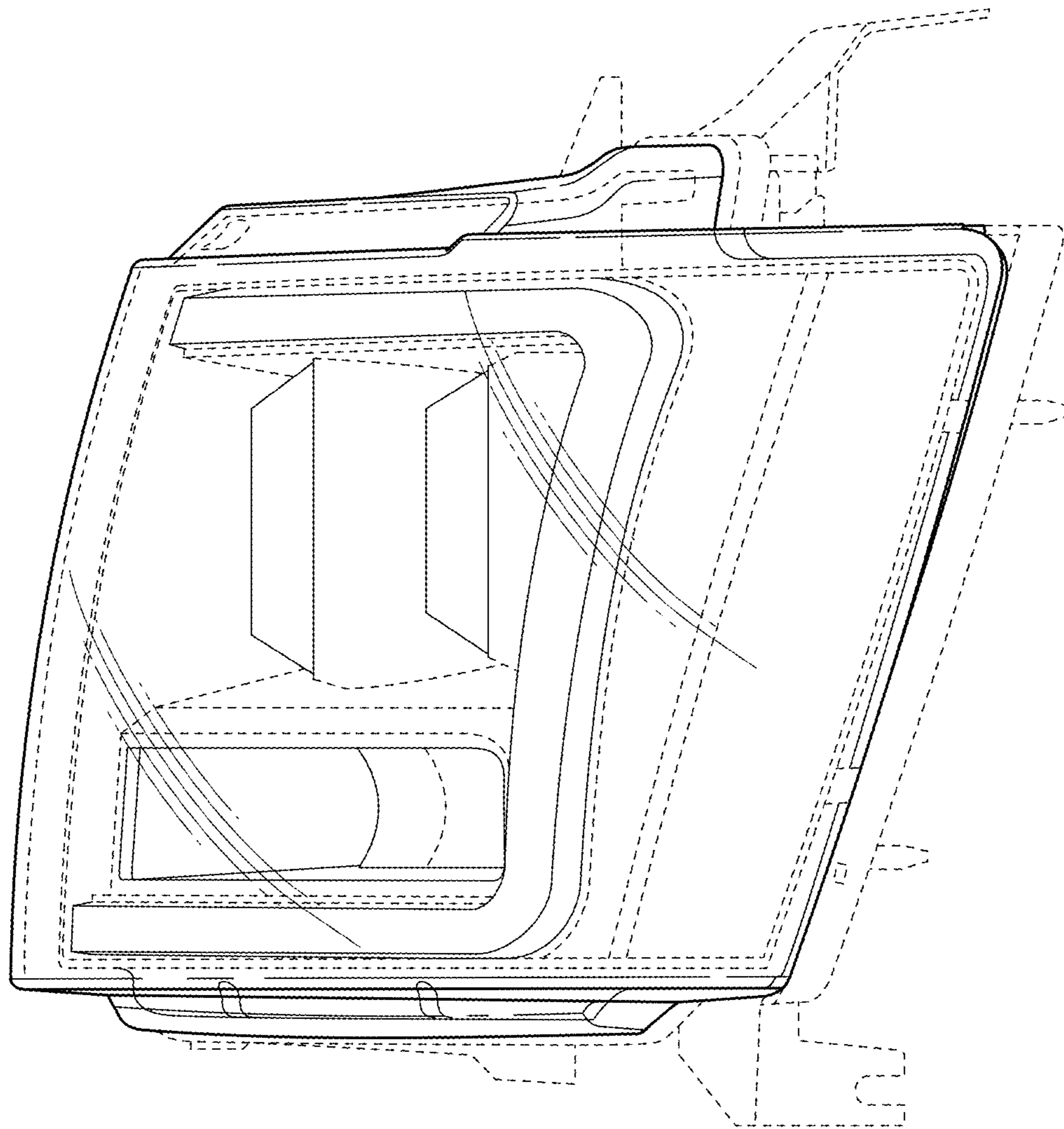


FIG. 3